



Kitchen space organizers

SALICE



Pull-out base filler page 6



Rotating pantry unit page 16



Pull-out organizer page 8



Straight pantry unit page 17



Wire pull out drawers spacers page 9



Maxi pantry unit page 18



Smart corner page 11



Waste recycle pullouts page 20



Fly moon page 12



Waste recycle pullouts page 22



Rotating pantry unit swivel carousels page 14



Waste recycle accessories page 24

General specifications



The picture shows left hand version.

PRODUCT DETAILS

CODE = Product code

W = Width

D = Depth

H = Height

Dx = Right

Sx = Left



WIRE PARTS

BOTTOM MATERIAL

Pull-out pivoting shelves with non slip bottom. Non reversible.

Part#	Depth	Width	Height
QFLY40DXM20M	13-5/8"	29"	3-3/8"

The catalog part numbers do not specify the finish of the material. Add the desired finish code to the end of the part number when ordering.

Example - QFLY40DXM20M**VCH**

C - Chrome finish/
White melamine

VCH - Champagne finish/
American maple
melamine

GC - Chrome finish/
Gray melamine

VG - Gray finish

Available colors:

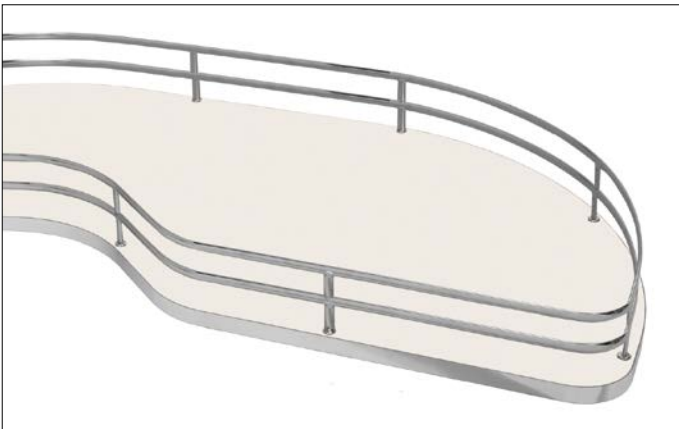
Melamine bottom - American Maple, White or Gray

Steel wire parts - Chrome or Champagne (elliptical shape)



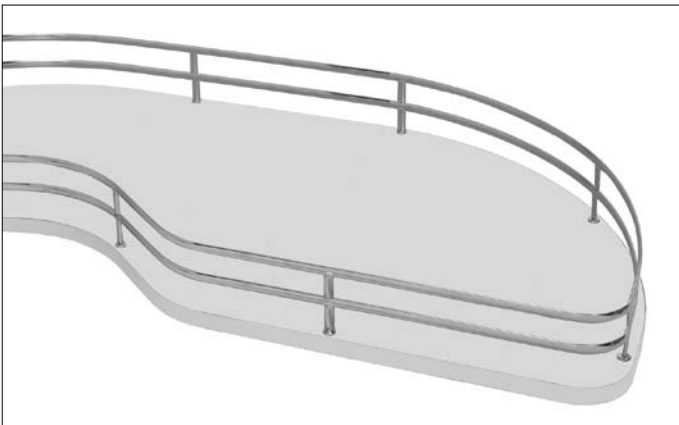
VCH

Champagne finish/American maple melamine



C

Chrome finish/White melamine



GC

Chrome finish/Gray melamine

CLEANING AND MAINTENANCE INSTRUCTIONS:

Use a clean damp cloth, preferably microfiber (non-abrasive). Dry using a dry microfiber cloth.

Pull-out base filler



Technical Information

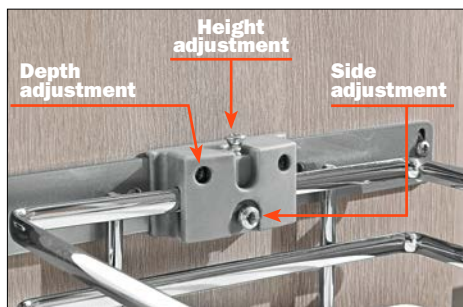
Minimum opening 4-1/2", 2 or 3-tier base organizer, full extension soft close, non slip melamine surface, for frame and frameless cabinets, load capacity 75 lbs (35 kg), 3-way door adjustment, comes fully assembled ready to be installed.

Kit contents: side pull-out unit, full extension soft close slide, (2) adjustable door-mounting brackets, assembly instructions and drilling template.

Door-mount bracket

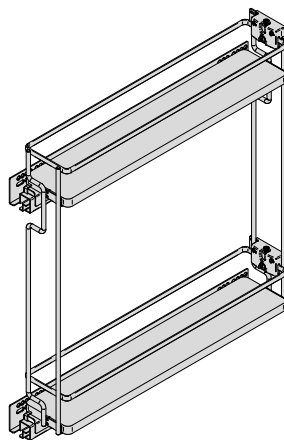
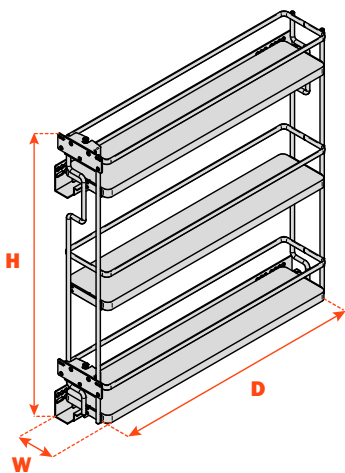
Features:

Patented system; 3 way adjustability for alignment of the cabinet door: height (+/- 2 mm), side (+/- 3 mm) and depth (+ 4 mm) adjustments, easy installation with only two screws; suitable for standard style doors and five piece doors as well - Use a #2 pozi driver to adjust.



Technical information

The drawing shows left hand version



Two-tier base organizer

Part#	Version	Depth	Width	Height
QELQAM42DXOM	Right	21-3/8"	4-1/4"	22-5/8"
QELQAM42SXOM	Left	21-3/8"	4-1/4"	22-5/8"

Three-tier base organizer

Part#	Version	Depth	Width	Height
QELQAM4DXOM	Right	21-3/8"	4-1/4"	22-5/8"
QELQAM4SXOM	Left	21-3/8"	4-1/4"	22-5/8"

Available in:

- VCH** - Champagne wire/American maple melamine bottom
- C** - Chrome wire/White melamine bottom
- GC** - Chrome wire/Gray melamine bottom



Pull-out base filler



Technical Information

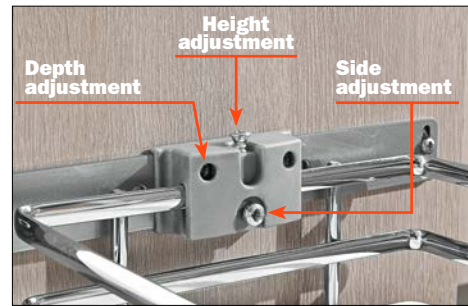
Minimum opening 6", 2 or 3-tier base organizer, full extension soft close, non slip melamine surface, for frame and frameless cabinets, load capacity 75 lbs (35 kg), 3-way door adjustment, comes fully assembled ready to be installed.

Kit contents: side pull-out unit, full extension soft close slide, (2) adjustable door-mounting brackets, assembly instructions and drilling template.

Door-mount bracket

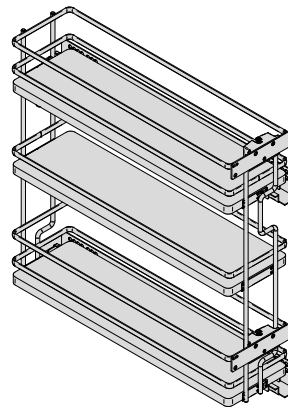
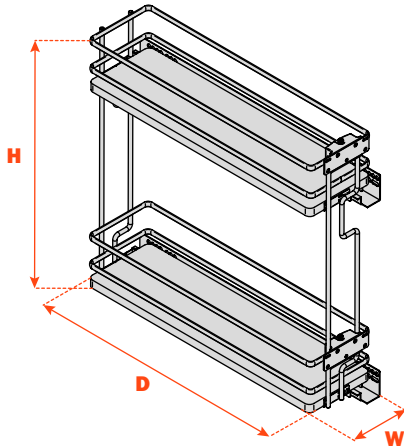
Features:

Patented system; 3 way adjustability for alignment of the cabinet door: height (+/- 2 mm), side (+/- 3 mm) and depth (+ 4 mm) adjustments, easy installation with only two screws; suitable for standard style doors and five piece doors as well - Use a #2 pozi driver to adjust.



Technical information

The drawing shows right hand version



Two-tier base organizer

Part#	Version	Depth	Width	Height
QELQAM6DXOM	Right	21-3/8"	5-3/4"	21"
QELQAM6SXOM	Left	21-3/8"	5-3/4"	21"

Three-tier base organizer

Part#	Version	Depth	Width	Height
QELQAM63DXOM	Right	21-3/8"	5-3/4"	21"
QELQAM63SXOM	Left	21-3/8"	5-3/4"	21"

Available in:

- VCH** - Champagne wire/American maple melamine bottom
- C** - Chrome wire/White melamine bottom
- GC** - Chrome wire/Gray melamine bottom

Pull-out organizer



Technical Information

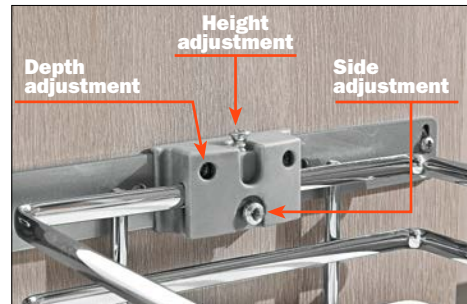
2-tier base organizer, offering easy access, full extension soft close, non slip melamine surface, for frame and frameless cabinets, load capacity 75 lbs (35 kg), 3-way door adjustment, comes fully assembled ready to be installed.

Kit contents: 2-tier base organizer, full extension soft close slide, (2) adjustable door-mounting brackets, snap-on pull-out dividers, assembly instructions and drilling template.

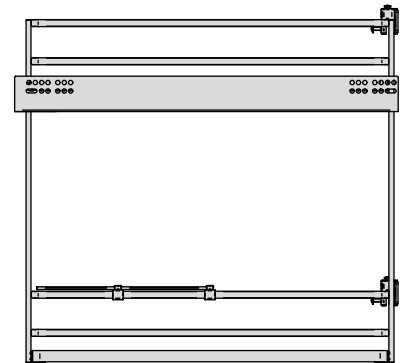
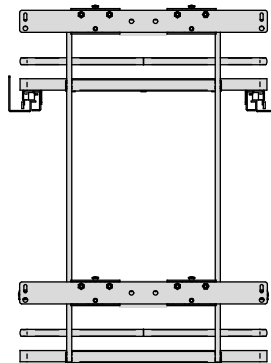
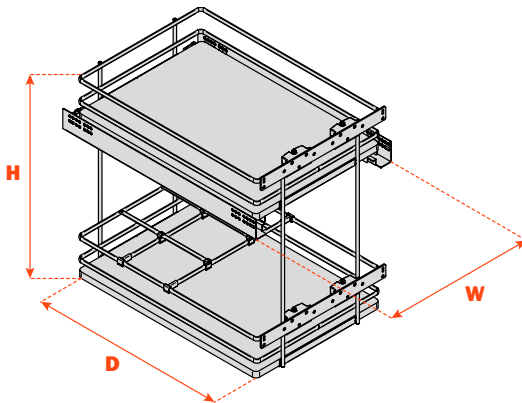
Door-mount bracket

Features:

Patented system; 3 way adjustability for alignment of the door: height (+/- 2 mm), side (+/- 3 mm) and depth (+ 4 mm) adjustments, easy installation with only two screws; suitable for standard style doors and five piece doors as well - Use a #2 pozi driver to adjust.



Technical information



Part#	Depth	Width	Height
QEGTAM12B20M	21-3/8"	12"	20"
QEGTAM15B20M	21-3/8"	15"	20"
QEGTAM18B20M	21-3/8"	18"	20"

Available in:

VCH - Champagne wire/American maple melamine bottom

C - Chrome wire/White melamine bottom

GC - Chrome wire/Gray melamine bottom

Wire pull out drawers

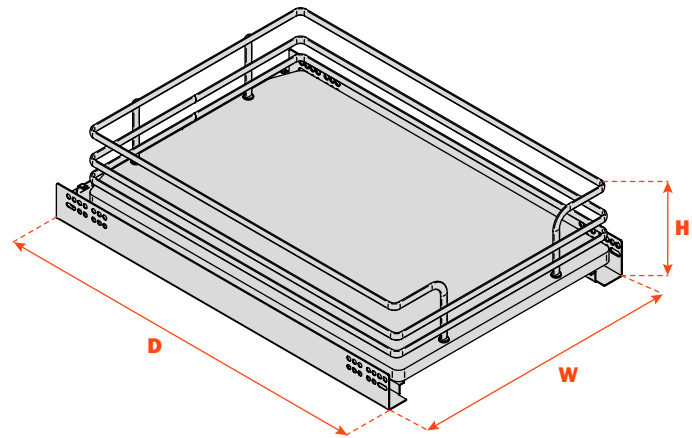
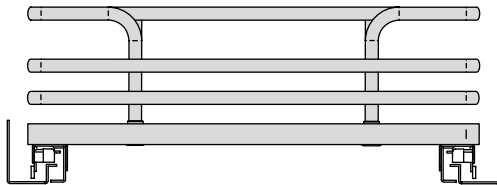


Technical Information

Easy drawer insertion and removal; full extension soft close, non slip melamine surface, for frame and frameless cabinets, load capacity 75 lbs (35 kg). Side and bottom mount.

Kit contents: 1 drawer pull-out unit, Futura full extension soft close slide (533 mm), assembly instructions.

Technical information



Part#	Depth	Width	Height
QCCTAM120M	21-3/8"	12"	5-3/8"
QCCTAM150M	21-3/8"	15"	5-3/8"
QCCTAM180M	21-3/8"	18"	5-3/8"
QCCTAM210M	21-3/8"	21"	5-3/8"

Available in:

- VCH** - Champagne wire/American maple melamine bottom
- C** - Chrome wire/White melamine bottom
- GC** - Chrome wire/Gray melamine bottom

Spacers



Bottom mounted spacers and adjustable side mounted spacers for face frame cabinets. The spacers can be used for drawers, pull-outs and trash cans.

Kit Includes: 4 brackets, 2 spacers and attachment screws. (zinc coated)

Part#	Depth	Width	Height
QCCKDA	/	/	/

	Side mount no spacers
	Bottom mount spacers
	Side mount with 1 adjustable spacer minimized
	Side mount with 1 adjustable spacer maximized
	Side mount with 2 adjustable spacers minimized
	Side mount with 2 adjustable spacers maximized

Smart corner



The picture shows right hand version.

Technical Information

Smart corner unit requires a minimum door opening of 17". Easy assembly, full extension and soft closing system, open in one movement, automatically allows free access to the rear baskets, non slip surface, for frameless cabinets, load capacity: back shelves 44 lbs (20 kg) - front shelves 22 lbs (10 kg). Inside height min. 22-3/8". Non reversible.

Kit contents: base corner unit system, set of 4 baskets (2 front and 2 rear), full extension soft close slides (400 mm), adjustable door mounting bracket, assembly instructions.

The door opening angle can be adjusted in three different positions.

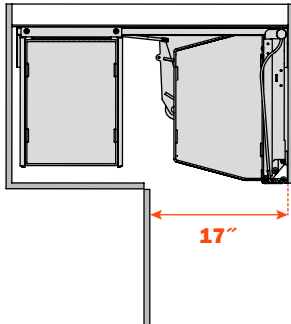


Additional handle available in the kit for hinged door.

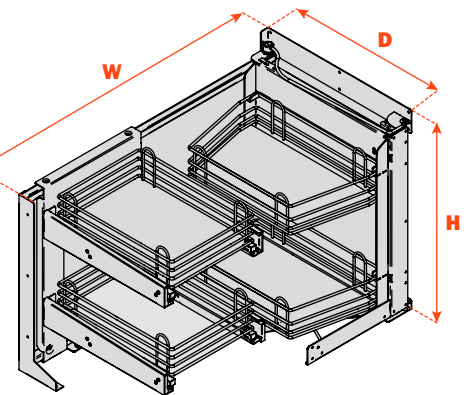
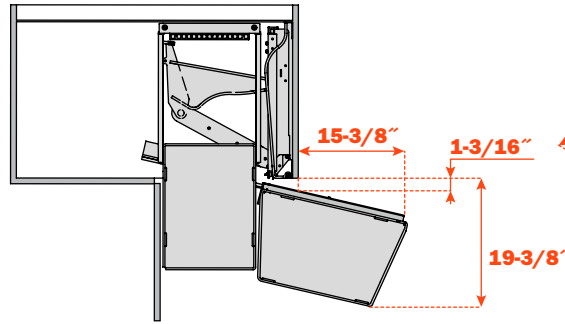
Technical information

The drawing shows right hand version

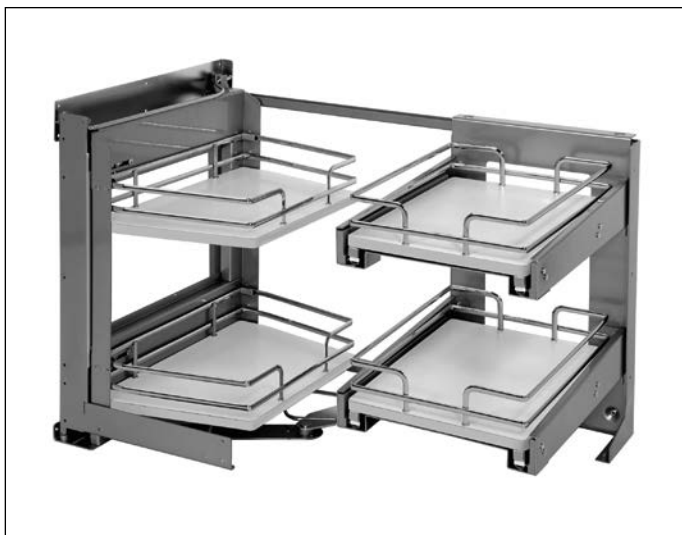
Top view - closed



Top view - open



Note: the door protrusion must be considered for hinged door application.



Part#	Version	Depth	Width	Height
QSMC45DXFMOM	Right	19-1/4"	33-5/16"	22-3/8"
QSMC45SXFOM	Left	19-1/4"	33-5/16"	22-3/8"

Available in:

VCH - Champagne wire/American maple melamine bottom

C - Chrome wire/White melamine bottom

GC - Chrome wire/Gray melamine bottom



The two parts must be ordered separately.

Technical Information

An innovative and unique space saving corner unit.

The shelves can be pulled-out independently, trays are designed to increase storage surface, height adjustable shaft, easy to install. The mechanism is a patented system and can be easily fixed in on one side of the cabinet, non slip melamine surface, for frame and frameless cabinets, load capacity 44 lbs (20kg) per shelf, minimum door opening 85°, height of the shelf rail 70 mm (2-3/4").

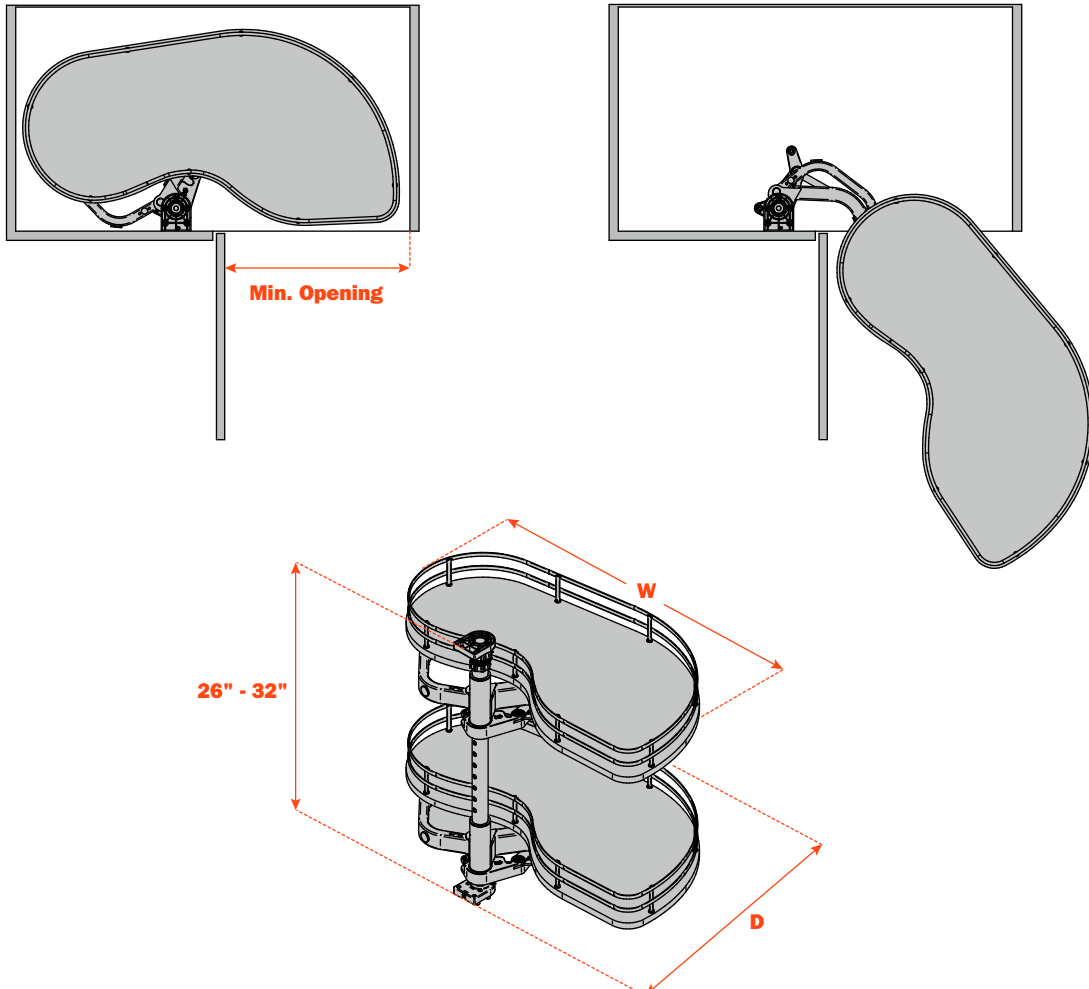
Shelf kit contents: 2 pull-out pivoting shelves; metal plates for connection; assembly instruction.

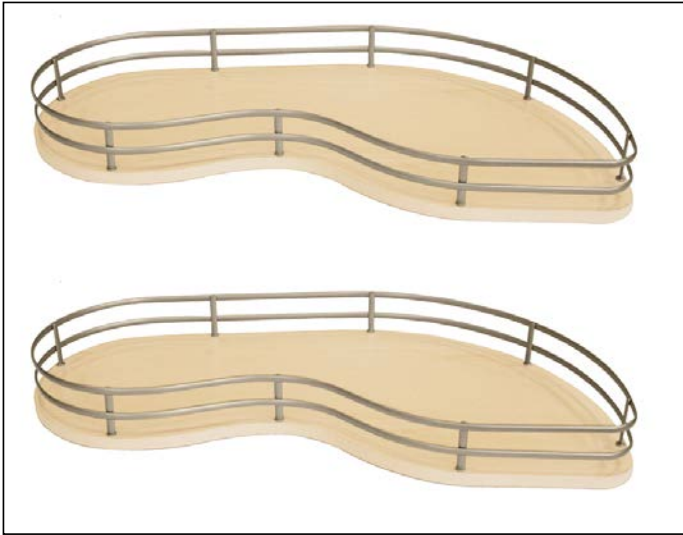
Mechanism kit contents: mechanism with height adjustable shaft; brackets and extension pipe; assembly instruction.

The picture shows left hand version.

Technical information

The drawing shows right hand version





2 pull-out pivoting shelves with non slip bottom. Handed (L or R).

Part#	Version	Min. opening	Depth	Width	Height
QFLY40DXM20M	Right	13-5/8"	16-1/32"	29"	3-3/8"
QFLY40SXM20M	Left	13-5/8"	16-1/32"	29"	3-3/8"
QFLY45DXM20M	Right	16"	17-3/8"	32-3/16"	3-3/8"
QFLY45SXM20M	Left	16"	17-3/8"	32-3/16"	3-3/8"
QFLY60DXM20M	Right	21"	18-3/4"	38-7/16"	3-3/8"
QFLY60SXM20M	Left	21"	18-3/4"	38-7/16"	3-3/8"

Available in:

C - Chrome wire/
White melamine bottom

VCH - Champagne wire/
American maple
melamine bottom

GC - Chrome wire/
Gray melamine bottom



Corner mechanism suitable for 13-5/8" - 16" - 21" minimum door opening. Height adjustable from 26" to 32". Non reversible. Extension kit included.

Soft close part #	Version	Min. opening	Height
QFLYASTM2DX	Right	13-5/8"	26" - 32"
QFLYASTM2SX	Left	13-5/8"	26" - 32"
QFLYASTM2DX	Right	16"	26" - 32"
QFLYASTM2SX	Left	16"	26" - 32"
QFLYASTM602DX	Right	21"	26" - 32"
QFLYASTM602SX	Left	21"	26" - 32"

Available in:

VCH - Champagne finish

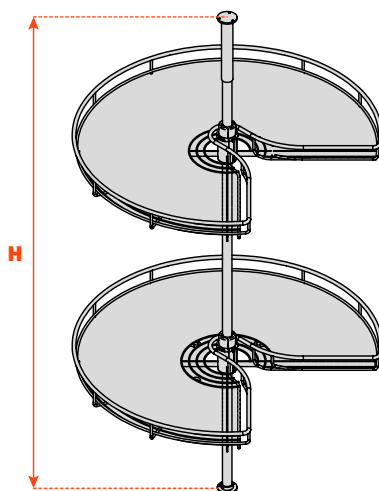
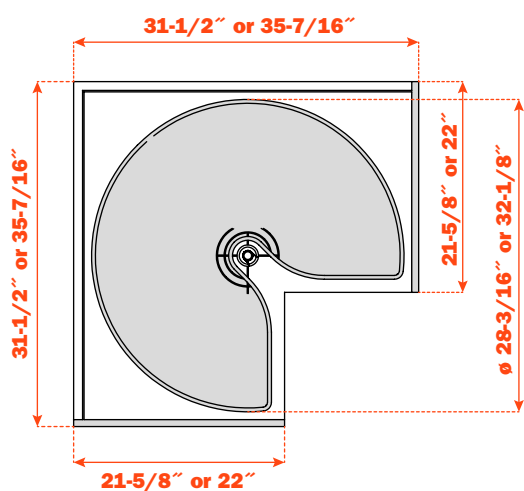
VG - Gray finish

Swivel carousels

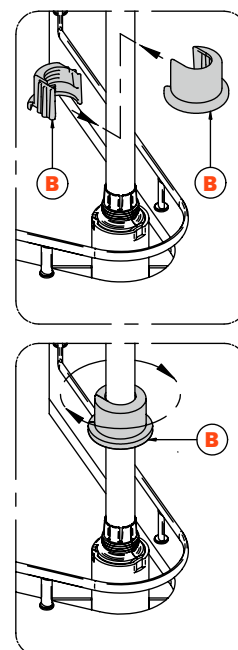


Suitable for base corner cabinets.
Independent shelf rotation for easy access, non slip melamine surface,
for frame and frameless cabinets.

Technical information



Fast block fitting (B)





Kit contents: 2 pcs 3/4 circle pivoting carousels. Height adjustable shelves, load capacity per shelf 29 lbs (13 kg) for 28-3/16" and 35 lbs (16 kg) for 32-1/8", easy to install with "fast block fittings".

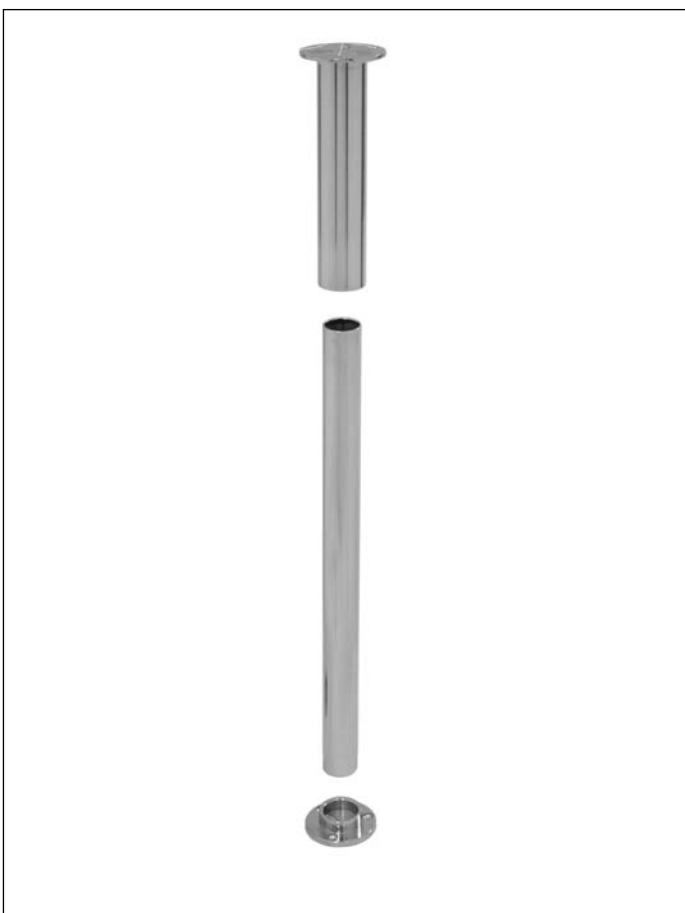
Part#	ø	Width	Height
QCG734FBM20M	28-3/16"	/	4-3/8"
QCG834FBM20M	32-1/8"	/	4-3/8"

Available in:

VCH - Champagne wire/American maple melamine bottom

C - Chrome wire/White melamine bottom

GC - Chrome wire/Gray melamine bottom



Ø 25 mm chrome-plated post for carousels with top and bottom fittings, height adjustable post from 25-7/16" to 31-1/16".

Part#	Depth	Width	Height
QTB500/2	2-1/8"	2-1/8"	25-7/16" - 31-1/16"

Available in:

C - Chrome finish

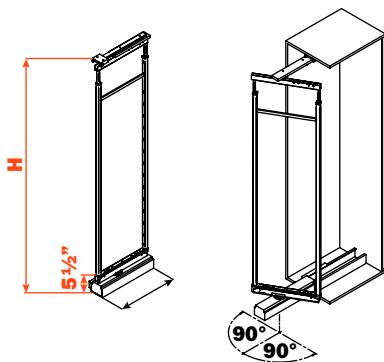
Rotating pantry unit



* all parts must be ordered separately.

Frame

Height-adjustable frame, for overlay and inset doors.



Part#	Depth	Width	Full set height: slide + frame	Recommended # of Baskets
QCE1204	19-9/16"	1-3/16"	46-7/32" - 63-17/32"	3
QCE1604	19-9/16"	1-3/16"	61-31/32" - 79-9/32"	4
QCE1904	19-9/16"	1-3/16"	73-25/32" - 91-3/32"	5

Available in:

VCH - Champagne finish

VG - Gray finish



Slide

Full extension pivoting slide with soft close return. 90° rotation of the frame to the right or to the left side. Load capacity 220 lbs (100 kg).

Part#	Depth	Width	Height
QGCFTMR	19-11/16"	/	10-15/32"



Brackets

Adjustable door-mounting bracket, fast application to frame internal holes. For doors over 7' tall we suggest to use 3 door-mounting brackets.

Part#	Depth	Width	Height
QCK130N	1-5/8"	9-7/8"	1-3/16"
QCK140N	1-5/8"	13-13/16"	1-3/16"
QCK145N	1-5/8"	15-3/4"	1-3/16"
QCK160N	1-5/8"	21-5/8"	1-3/16"

Available in:

VCH - Champagne finish

VG - Gray finish

Installation

Min interior depth: 20-3/32"

Min interior opening: door-mounting bracket length +3/8"



Basket

Easy insertion and removal, non slip melamine surface, height adjustable basket assembly.

Part#	Depth	Width	Height
QCC30ASAOM	16-3/16"	9-11/16"	3-11/16"
QCC40ASAOM	16-3/16"	13-5/8"	3-11/16"
QCC45ASAOM	16-3/16"	15-5/8"	3-11/16"
QCC60ASAOM	16-3/16"	21-1/2"	3-11/16"

Available in:

C - Chrome finish
White melamine bottom

VCH - Champagne finish

GC - Chrome finish
Gray melamine bottom

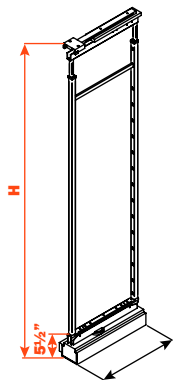
Straight pantry unit



* all parts must be ordered separately.

Frame

Height-adjustable frame, for overlay and inset doors.



Part#	Depth	Width	Full set height: slide + frame	Recommended # of Baskets
QCE1205	19-9/16"	1-3/16"	41-23/32" - 59-1/16"	3
QCE1605	19-9/16"	1-3/16"	57-15/32" - 74-13/16"	4
QCE1905	19-9/16"	1-3/16"	69-9/32" - 86-5/8"	5

Available in:

VCH - Champagne finish

VG - Gray finish



Slide

Full extension slide with soft close return.
Load capacity 265 lbs (120 kg).

Part#	Depth	Width	Height
QGCFTM/13	18-7/8"	/	5-1/2"



Brackets

Adjustable door-mounting bracket, fast application to frame internal holes.
For doors over 7' tall we suggest to use 3 door-mounting brackets.

Part#	Depth	Width	Height
QCK130N	1-5/8"	9-7/8"	1-13/16"
QCK140N	1-5/8"	13-13/16"	1-13/16"
QCK145N	1-5/8"	15-3/4"	1-13/16"
QCK160N	1-5/8"	21-5/8"	1-13/16"

Available in:

VCH - Champagne finish

VG - Gray finish

Installation

Min interior depth: 19-11/16"

Min interior opening: door-mounting bracket length + 3/8"



Basket

Easy insertion and removal, non slip melamine surface, height adjustable basket assembly.

Part#	Depth	Width	Height
QCC30ASAOM	16-3/16"	9-11/16"	3-11/16"
QCC40ASAOM	16-3/16"	13-5/8"	3-11/16"
QCC45ASAOM	16-3/16"	15-5/8"	3-11/16"
QCC60ASAOM	16-3/16"	21-1/2"	3-11/16"

Available in:

C - Chrome finish/
White melamine bottom

VCH - Champagne finish

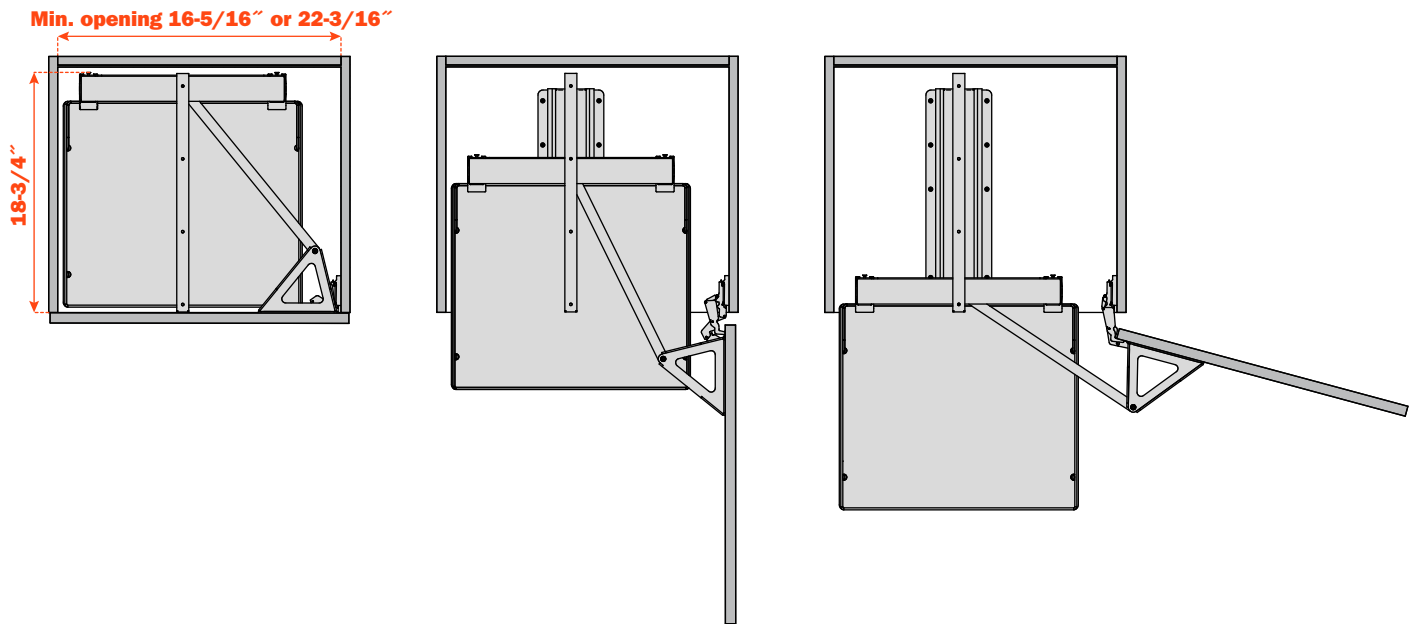
GC - Chrome finish/
Gray melamine bottom

Max pantry unit

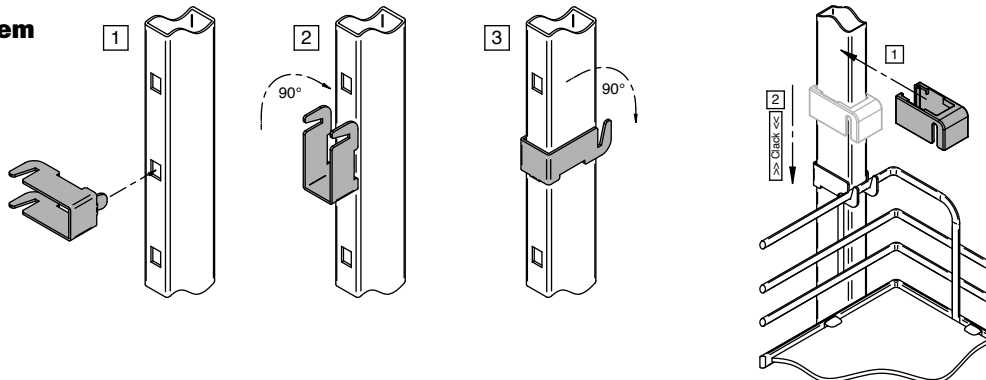


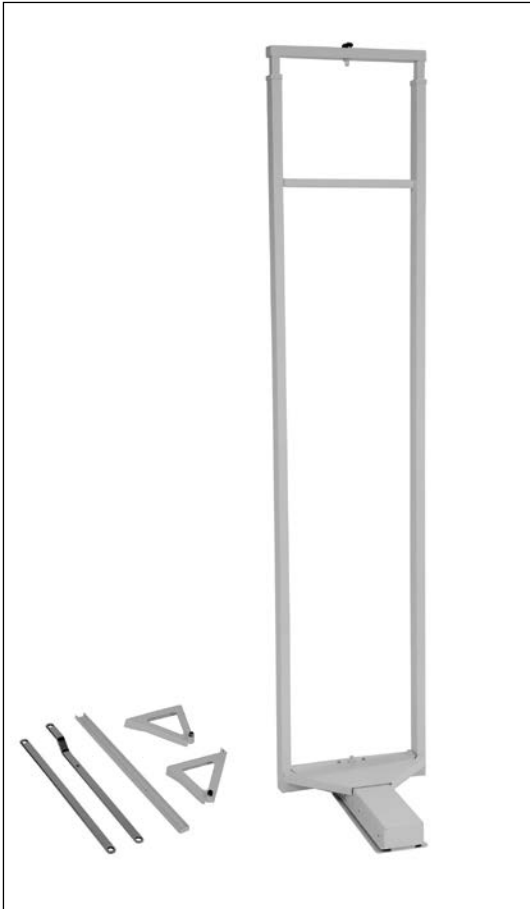
- Integrated system that allows the pullouts to move forward as the door is opened.
- Tall pantry system that allows easy and full access to contents.
- Requires 165° opening hinges.
- For a 16-5/16" or 22-3/16" minimum opening.
- Load capacity 175 lbs (80 kgs).
- Reversible, for left or right hand doors.

Technical information



Easy fit system





Frame

Pull-out frame for maxi-pantry unit.

Minimum cabinet opening 16-5/16" or 22-3/16".

Part#	Min. opening	Depth	Width	Height	Recommended # of baskets
QCEM45B	16-5/16"	18-3/4"	12-7/8"	48-1/32" - 61-13/16"	3
QCEM60B	22-3/16"	18-3/4"	18-3/4"	48-1/32" - 61-13/16"	3

Available in:

VCH - Champagne finish

VG - Gray finish

Part#	Min. opening	Depth	Width	Height	Recommended # of baskets
QCEM45M	16-5/16"	18-3/4"	12-7/8"	61-13/16" - 75-5/8"	4
QCEM60M	22-3/16"	18-3/4"	18-3/4"	61-13/16" - 75-5/8"	4

Available in:

VCH - Champagne finish

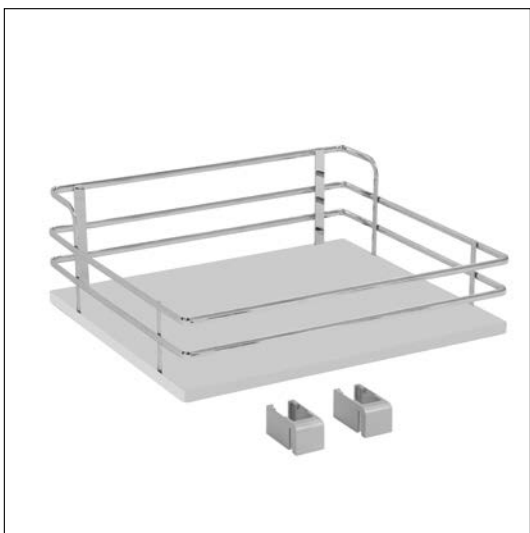
VG - Gray finish

Part#	Min. opening	Depth	Width	Height	Recommended # of baskets
QCEM45S	16-5/16"	18-3/4"	12-7/8"	75-5/8" - 85-7/8"	5
QCEM60S	22-3/16"	18-3/4"	18-3/4"	75-5/8" - 85-7/8"	5

Available in:

VCH - Champagne finish

VG - Gray finish



Basket

Basket for maxi-pantry unit. Easy insertion and removal, non slip melamine surface, height adjustable basket assembly with "Easy Fit System".

Part#	Min. opening	Depth	Width	Height
QCEM45ACMOM	16-5/16"	16-3/16"	12-5/8"	6-1/4"
QCEM60ACMOM	22-3/16"	16-3/16"	18-1/2"	6-1/4"

Available in:

C - Chrome wire/White melamine bottom

VCH - Champagne wire/American maple melamine bottom

GC - Chrome wire/Gray melamine bottom





Product features:

- Bottom mount or side mount.
- Full extension (500 mm).
- Soft close.
- Easy installation with only 4 screws.
- Door mount brackets and clip on handle included in the kit.

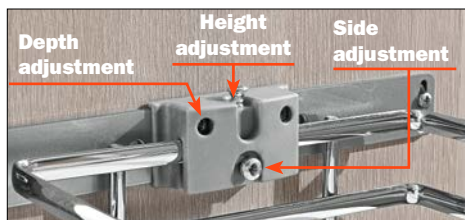
Waste Bins:

- Recyclable, non toxic material.
- Resistant to low & high temperatures.
- Non deformable.
- Integrated handles for easy removal.

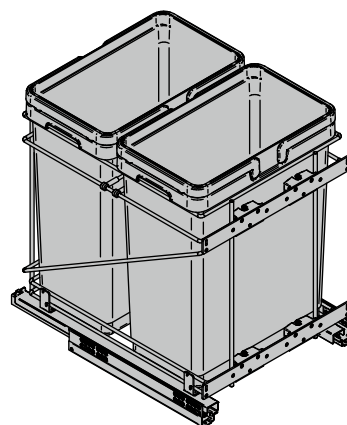
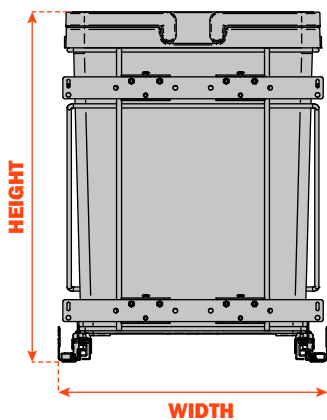
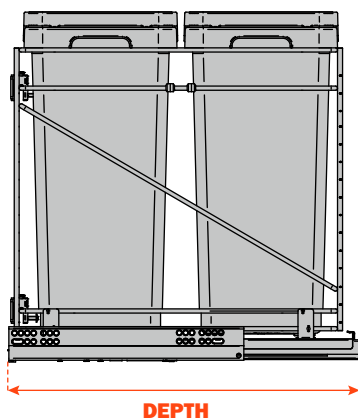
Door-mount bracket

Features:
 Patented system; 3 way adjustability for alignment of the cabinet door: height (+/-2mm), Side (+/-3mm) and depth (+/-4mm), easy installation with only two screws; suitable for standard style doors and five piece doors as well.

Use a #2 pozi driver to adjust.

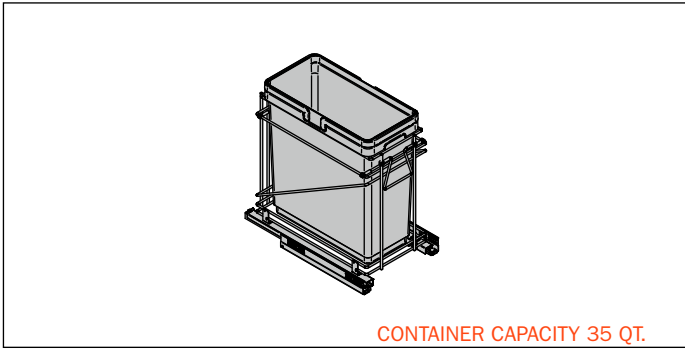


Technical information



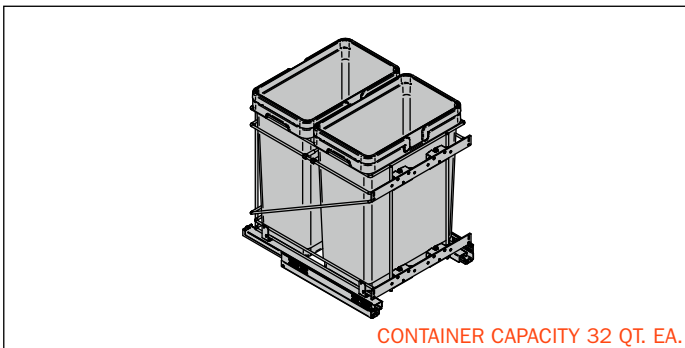
Waste recycle pullouts





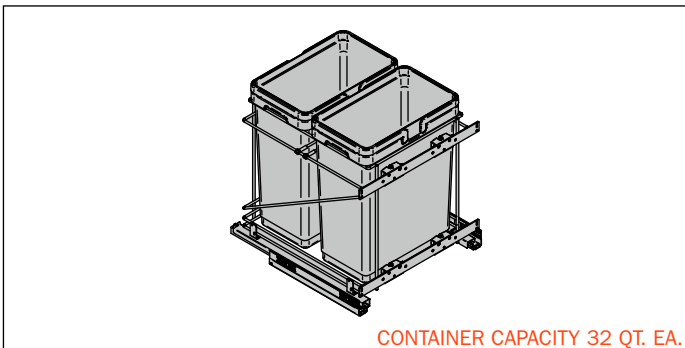
12" Base pull-out waste bins. Soft close, wire bottom, full extension (500mm). Handle and door brackets included. One 35 Qt. plastic bin. The waste bins are equipped with handles to easily keep your trash bag inside and lift cans up. Bottom mount.

Part#	Depth	Width	Height
QPAM12135C	19-5/8"	12"	19-1/2"



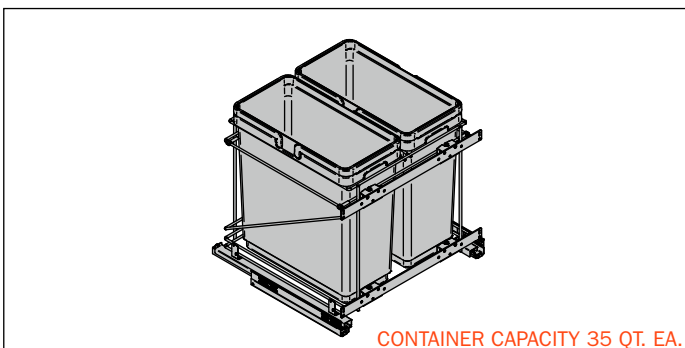
15" Base pull-out waste bins. Soft close, wire bottom, full extension (500mm). Handle and door brackets included. Two 32 Qt. plastic bins. The waste bins are equipped with handles to easily keep your trash bag inside and lift cans up. Bottom mount.

Part#	Depth	Width	Height
QPAM15228C	19-5/8"	15"	19-1/2"



18" Base pull-out waste bins. Soft close, wire bottom, full extension (500mm). Handle and door brackets included. Two 32 Qt. plastic bins. The waste bins are equipped with handles to easily keep your trash bag inside and lift cans up. Bottom mount.

Part#	Depth	Width	Height
QPAM18228C	19-5/8"	18"	19-1/2"



21" Base pull-out waste bins. Soft close, wire bottom, full extension (500mm). Handle and door brackets included. Two 35 Qt. plastic bins. The waste bins are equipped with handles to easily keep your trash bag inside and lift cans up. Bottom mount.

Part#	Depth	Width	Height
QPAM21235C	19-5/8"	21"	19-1/2"



Small bins

All small bins can be put inside the standard bins and also externally attached to the cabinet door.

3.2 Qt silver gray polystyrene bin with small handle.



Part#	Depth	Width	Height
QPAM03C	7-7/8"	7-23/32"	3-9/16"

5.3 Qt silver gray polystyrene bin with small handle.



Part#	Depth	Width	Height
QPAM05C	7-7/8"	7-23/32"	7-3/3"

Standard waste bins

All waste bins are equipped with folding handles which not only aid in the removal of the bin but, also hold the plastic bag in place.

32 Qt silver gray polystyrene waste bin with handle.



Part#	Depth	Width	Height
QPAM128C	14-3/8"	8-5/8"	18-7/64"

35 Qt silver gray polystyrene waste bin with handle.



Part#	Depth	Width	Height
QPAM135C	17-15/64"	8-5/8"	18-7/64"

Accessories

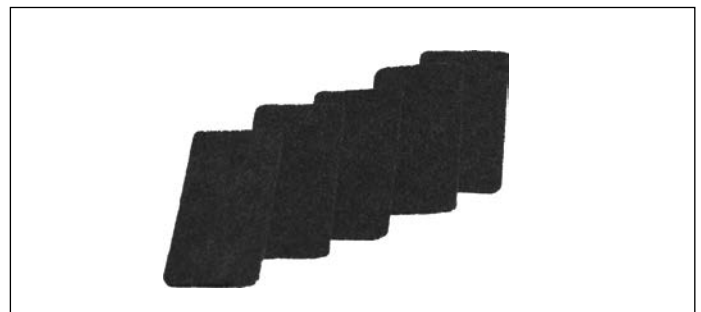
Lid with filter

A waste bin lid with dishwasher-safe and odor reducing filter.



Part#	Depth	Width	Height
QPCOLAMF	14-3/8"	8-5/8"	-
QPCOXLMF	17-15/64"	8-5/8"	-

Replacement filter pack (5)



Part#	Depth	Width	Height
QPCSF	-	-	-

Under the sink pullouts

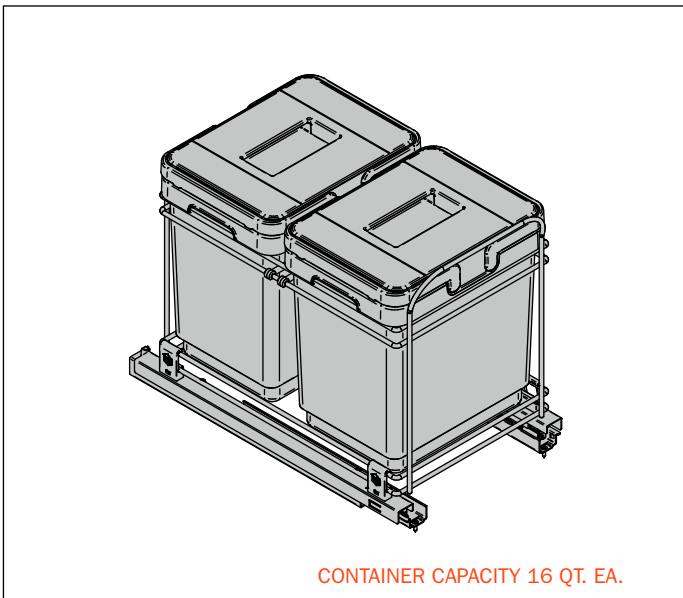


Product features:

- Bottom mount.
- Full extension.
- Soft close.
- Easy installation with only 4 wood screws.
- Integrated handle.

Waste Bins:

- Recyclable, non toxic material.
- Resistant to low & high temperatures.
- Non deformable.
- Integrated handles for easy removal.



12" Under the sink waste bins. Soft close, wire bottom, full extension. Handle included. Two 16 Qt. plastic bins with lids. The waste bins are equipped with handles to easily keep your trash bag inside and lift cans up. Bottom mount.

Part#	Depth	Width	Height
QPETAM332MC	19-5/8"	11- 3/4"	14-1/2"

Note: Front handle height 15-1/16"

SALICE CANADA INC.

4025 SLADEVIEW CRESCENT
UNIT # 7-9
MISSISSAUGA, ONTARIO L5L 5Y1
TEL. 905 8208787
FAX 905 8207226
info.salice@salicecanada.com
www.salicecanada.com



Digital content:

- **PDF brochure**