



CABINET DOOR HARDWARE

MULTIPLE MOTION DOOR SYSTEM
LATERAL OPENING DOOR SYSTEM
SPECIALTY DOOR HARDWARE

CABINET DOOR HARDWARE

MULTIPLE MOTION DOOR SYSTEM



Multiple Motion Door System
MultiMo FLAT™ (For Glass Doors) **MFS-G**
 P.546~547



Multiple Motion Door System
MultiMo FLAT™ (For Wooden Doors) **MFS-W**
 P.548~549

MONOFLAT LIN-X HINGE / LATERAL OPEN



MonoFlat **LIN-X hinge™** **LIN-X450**
 P.552~553
 Max. Door Weight 37.4 lbs



MonoFlat **LIN-X hinge™** **LIN-X600**
 P.554~555
 Max. Door Weight 52.8 lbs

MONOFLAT FAD / LATERAL OPEN



MonoFlat FAD™

P.557

Max. Door Weight 11 lbs

FAD-5



MonoFlat FAD™

P.558~559

Max. Door Weight 44 lbs

FAD-20



MonoFlat FAD™

P.560~561

Max. Door Weight 77 lbs

FAD-44/44L

SPECIALITY DOOR HARDWARE



P.562~563

XL-GC SERIES

Glass Showcase Hardware



P.564~565

180° Rotating Cabinet System

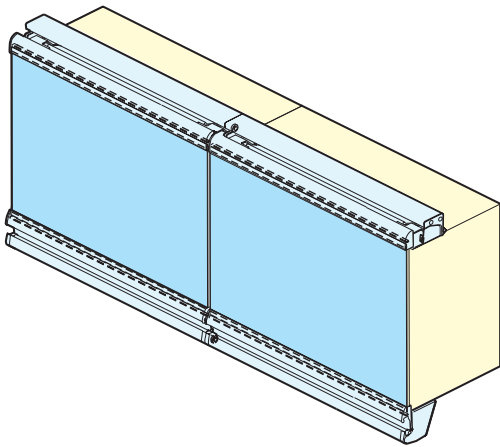
RB-600



P.566~567

Shutter Door System

DIS-M, H


MULTIPLE MOTION DOOR SYSTEM (For Glass Doors)
MFS-G


Door Width	295 mm, 445 mm, 595 mm or 895 mm (11-5/8", 17-1/2", 23-7/16" or 35-1/4")
Door Height	300-900 mm (11-13/16"~35-7/16")
Door Thickness	5 mm (13/64")
Door Weight	1.3-6.7 kg (2.9-14.7 lbs) / Glass

- **Flush Door Surface**
All doors will be "flush" against others when in closed position. Provides sleek appearance compared to ordinary off-set sliding doors.
- **Interchangeable Door Position**
Opened doors can slide and close at any unoccupied position.
- **Multiple Doors in One Line**
Multiple doors can be added by connecting multiple sliding units.
- **Soft & Smooth Movement**
Equipped with damper for soft and smooth closing movement.
- **Minimal Hardware Space**
Ideal for shallow cabinets, hardware requires only 100mm (approx. 4") of depth.

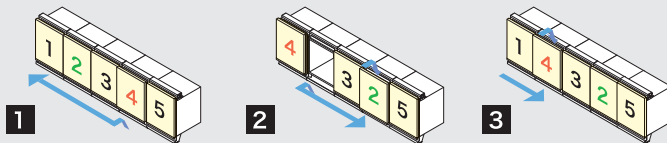
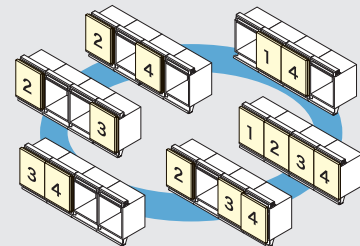
*Recommended using on 3 or more doors for interchangeable door feature.

*Maximum door height is twice of door width.

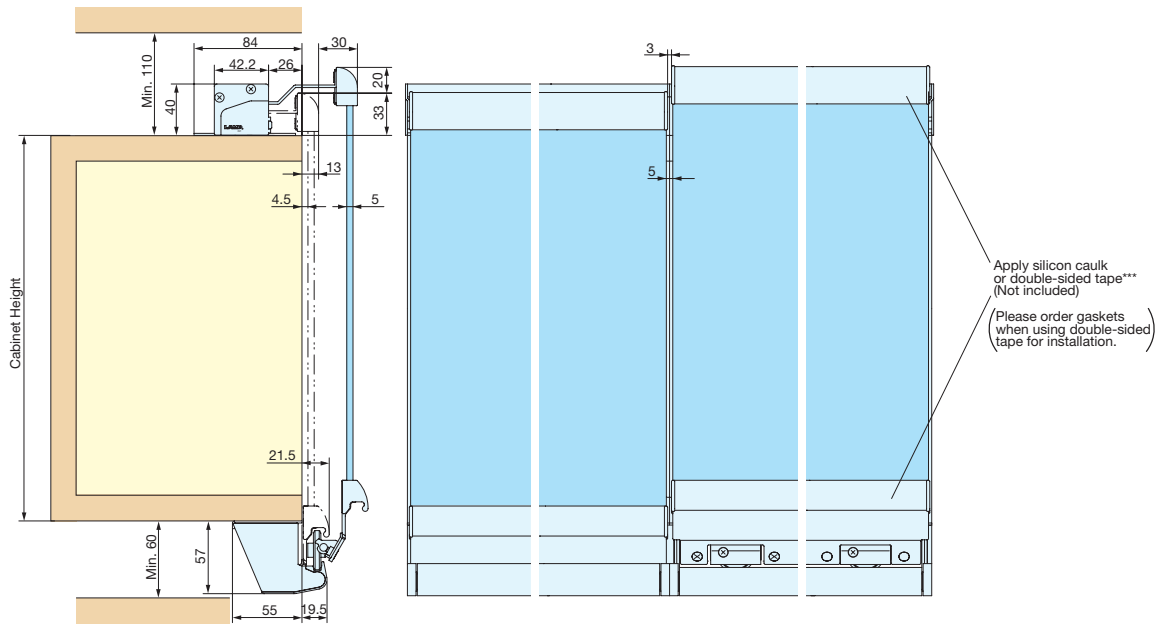
*Please see page 4 for wooden door version.
(Cannot be used together with wooden version on one cabinet.)

*Tempered glass recommended.

*For glass door assembly, Silicon caulk or double-sided tape (3M VHB recommended) is required. (Not included.)

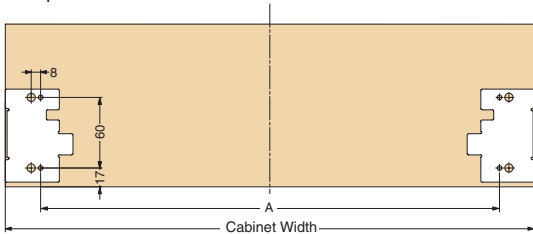
Interchangeable Door Position (3 doors or more)

Door Opening Example


Provides various opening patterns. By adding more doors, the more opening patterns will be possible.



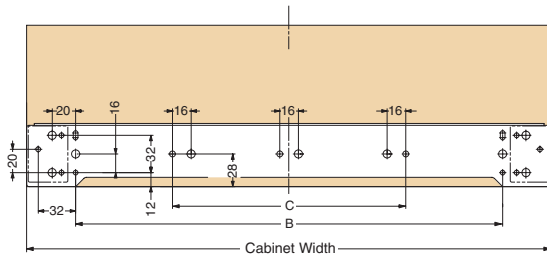
Glass Height = Cabinet Height + 18.5mm

•Top Panel



Cabinet Width	A
300	240
450	390
600	540
900	840

•Bottom Panel



Cabinet Width	B	C
300	216	-
450	366	-
600	516	200
900	816	300

Item No.	Each Cabinet Width	Glass Width	Door Weight / Door
MFS-G300/S2	300 mm (11-13/16")	295 mm (11-5/8")	1.5~2.4 kg (3.3~5.3 lbs)
MFS-G450/S2	450 mm (17-23/32")	445 mm (17-1/2")	1.3~2.2 kg (2.9~4.8 lbs)
MFS-G450/S3	450 mm (17-23/32")	445 mm (17-1/2")	2.3~3.2 kg (5.1~7.0 lbs)
MFS-G600/S3	600 mm (23-5/8")	595 mm (23-7/16")	2.1~3.0 kg (4.6~6.6 lbs)
MFS-G600/S4	600 mm (23-5/8")	595 mm (23-7/16")	3.1~4.0 kg (6.8~8.8 lbs)
MFS-G600/S5	600 mm (23-5/8")	595 mm (23-7/16")	4.1~5.0 kg (9.0~11.0 lbs)
**MFS-G900/S5	900 mm (35-7/16")	895 mm (35-1/4")	3.8~4.7 kg (8.4~10.3 lbs)
**MFS-G900/S6	900 mm (35-7/16")	895 mm (35-1/4")	4.8~5.7 kg (10.6~12.5 lbs)
**MFS-G900/S7	900 mm (35-7/16")	895 mm (35-1/4")	5.8~6.7 kg (12.8~14.7 lbs)

MFS-G Ordering Info:

Designed for cabinet with minimum 2 doors.
Each set contains hardware for one door only.
To order, please reference the total cabinet width, the number of doors that will be in the cabinet, and the set required (MFS-G_ _ _ /S_), for example:
1 cabinet 94-1/2" wide w/ 4 doors (23-7/16" ea, 10lbs./door),
order as MFS-G600/S5 qty 4 each MFS-ED qty 1 pair

***Please order gaskets when using double-sided tape for installation.

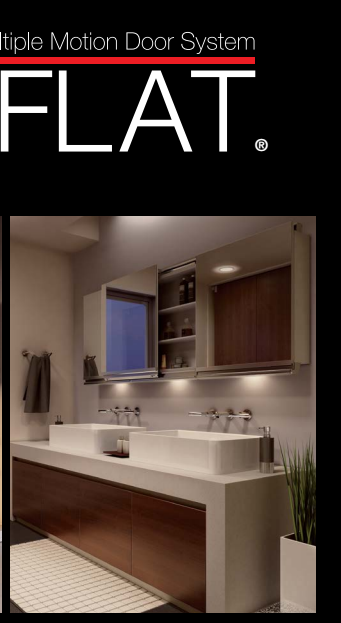
Optional Gasket

Item No.	Door Width
MFS-PK300	295 mm (11-5/8")
MFS-PK450	445 mm (17-1/2")
MFS-PK600	595 mm (23-7/16")
**MFS-PK900	895 mm (35-1/4")

*1 set of gasket required per door, when using double sided-tape for door assembly.

Item No.	Description
MFS-ED	End Cap Set*

*1 pair of MFS-ED required per cabinet, not per door
**Special order item



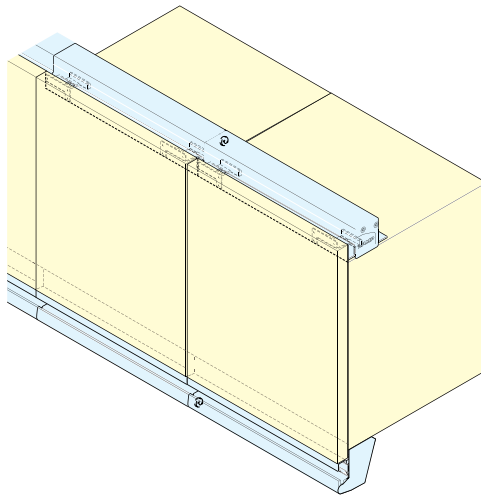
Multiple Motion Door System

MultiMo FLAT®

MULTIPLE MOTION DOOR SYSTEM (For Wooden Doors)



MFS-W

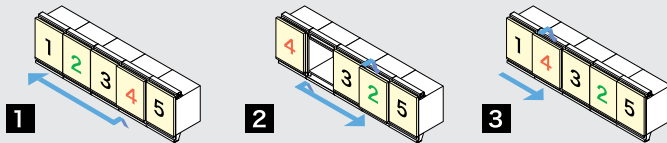


Door Width	297 mm, 447 mm, 597 mm or 897 mm (11-11/16", 17-5/8", 23-1/2" or 35-5/16")
Door Height	300-900 mm (11-13/16"-35-7/16")
Door Thickness	15-23 mm (19/32"-29/32")
Door Weight	1.4-6.8kg (3.1-14.9 lbs/Door)

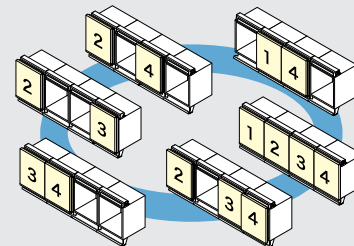
- **Flush Door Surface**
All doors will be "flush" against others when in closed position. Provides sleek appearance compared to ordinary off-set sliding doors.
- **Interchangeable Door Position**
Opened doors can slide and close at any unoccupied position.
- **Multiple Doors in One Plane**
Multiple doors can be added by connecting multiple sliding units.
- **Soft & Smooth Movement**
Equipped with damper for soft and smooth closing movement.
- **Minimal Hardware Space**
Ideal for shallow cabinets, hardware requires only 100mm (approx. 4") of depth.

Technical Notes:
 *Recommended using on 3 or more doors for interchangeable door feature.
 *Maximum door height is twice of door width.
 *Please see page 6 for glass door version.
 (Wooden door and glass door models are not compatible within the same cabinet.)

Interchangeable Door Position (3 doors or more)



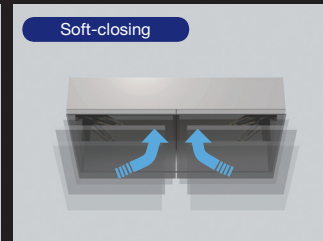
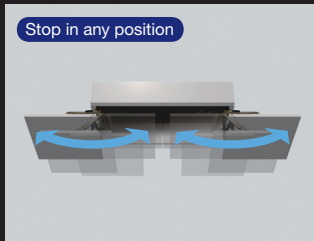
Door Opening Example



Provides various opening patterns. By adding more doors, the more opening patterns will be possible.



MonoFlat LIN-X hinge™



MONOFLAT LIN-X HINGE

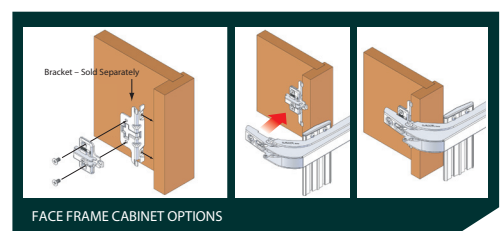
LIN-X450 / LIN-X600

Item No.	LIN-X450	LIN-X600
Door Width	400~500 mm (15-3/4"~19-11/16")	550~650 mm (21-5/8"~25-9/16")
Door Height	600~2400 mm (23-5/8"~94-1/2")	
Door Thickness	15~24 mm (5/8"~15/16")	
Door Weight	*Max 17 kg (37.4 lbs)	*Max 24 kg (52.8 lbs)

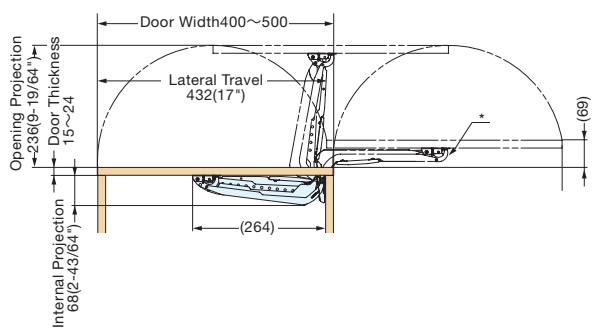
*Max door weight will vary depending on number of hinges used.

- **Lateral Swing Mechanism**
Allows doors to swing out laterally in a small radius, ideal for tight front space application.
- **Full Access to Cabinet**
Door will not get in the way when fully opened providing full access to the cabinet.
- **Free Swing & Soft-close**
- **Easy Installation**
Designed for standard 32mm system mounting, with snap-on hinge.
- **4-Way Adjustable**
3-way adjustable like concealed hinges and also with parallel adjustment.
- **Various Applications**
Can be used in single or double door configuration. Ideal for cabinets in kitchen, bathroom, laundry room etc.
*For overlay use.

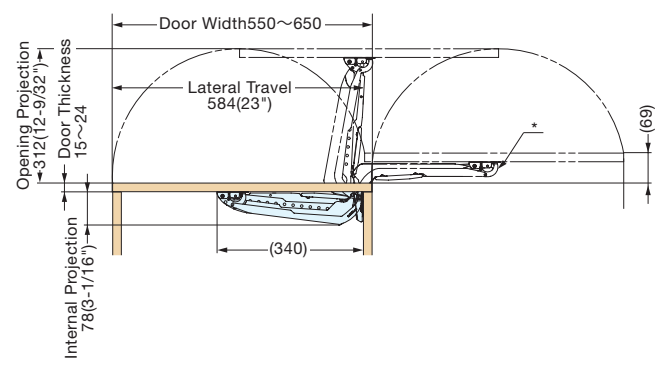
INSTALLATION



■ LIN-X450



■ LIN-X600



■ Application

Kitchen Corner (Inside)



Kitchen Corner (Outside)



Kitchen



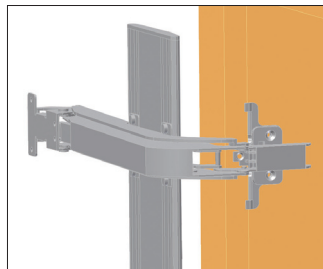
TV Base Cabinet



TV Cabinet



■ Face Frame Bracket



Item No.	Material
FFCB-HG-1	304 Stainless Steel

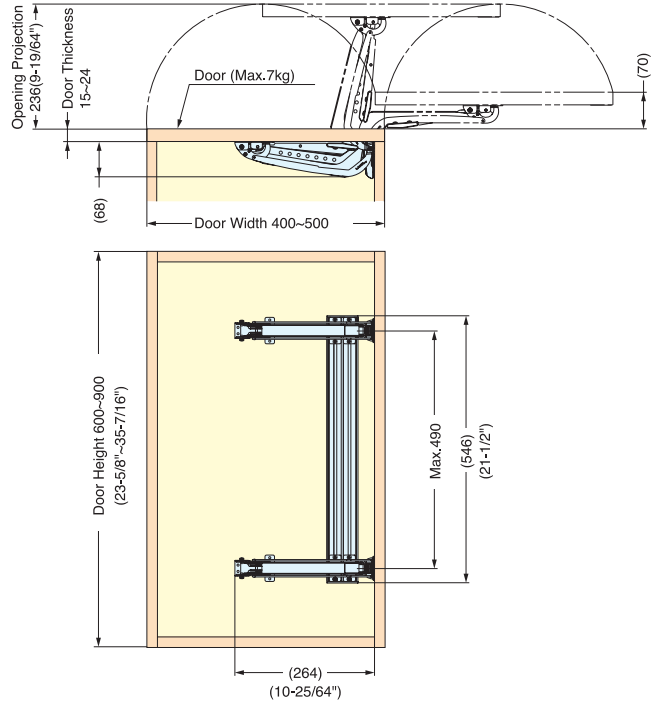
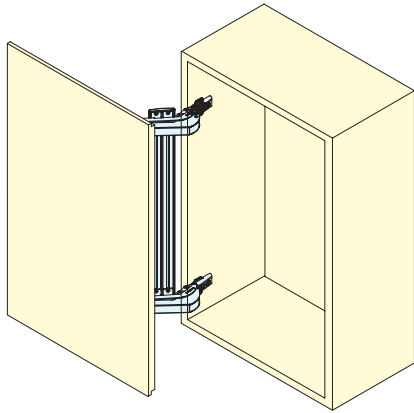
MONO FLAT LIN-X HINGE

LIN-X450

SLIDING & FOLDING CABINET HARDWARE

MONOFLAT LIN-X HINGES

Standard Kit



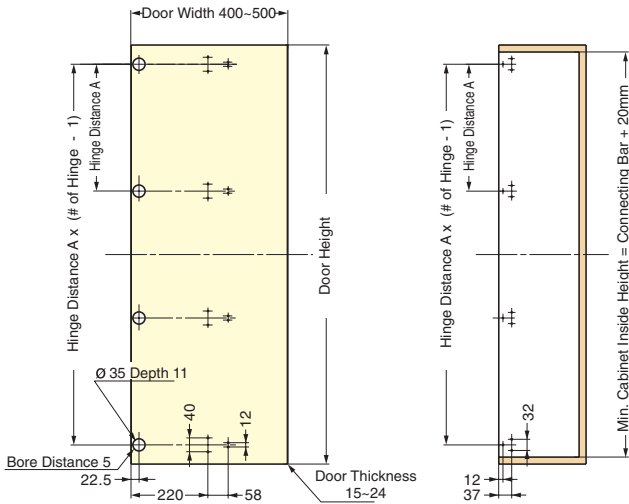
Door Width	400~500 mm (15-3/4"~19-11/16")
Door Height	600~900 mm (23-5/8"~35-7/16")
Door Thickness	15 ~ 24 mm (5/8"~15/16")
Door Weight	Max. 7 kg (15.4 lbs) / Door

*Can be used on heavier / taller doors by adding hinge arms.
Please see below for details.

Item No.	Overlay	Material	Finish
LIN-X450	19 mm (3/4")	Steel/Aluminum	Nickel/Anodized
LIN-X450+5	14 mm (35/64")		

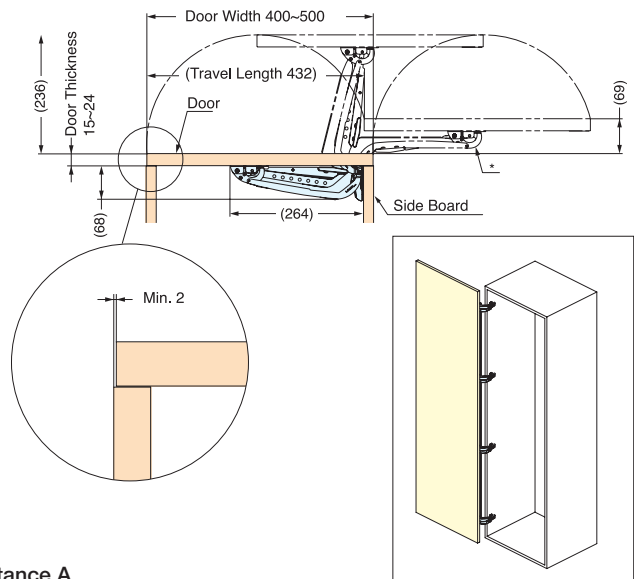
Individual Parts for Tall / Heavy Door

Door Preparation



Hinge in middle should be positioned at or equally distributed from center of door.

Cabinet Preparation



Hinge Distance A

Door Width	400~500 mm (15-3/4"~19-11/16")
Door Height	600~2400 mm (23-5/8"~94-1/2")
Door Thickness	15~24mm (5/8"~15/16")
Door Weight	Max. 17kg (37.4 lbs)

# of Hinges	Length of Connecting Bar (mm)					
	540	840	1140	1440	1740	2040
2 pcs	490	790	1090	-	-	-
3 pcs	245	395	545	695	845	-
4 pcs	-	263.3	363.3	463.3	563.3	663.3
5 pcs	-	-	272.5	347.5	422.5	497.5

Individual Parts - Ordering Chart

Ordering Info

Use corresponding letter in below table, and see "Parts Breakdown Table" for parts to be ordered.

Door Height	Door Weight				Connecting Bar / Cover Cap
	~15.5 lbs (~7.0 kg)	15.6~23.0 lbs (7.1~10.5 kg)	23.1~31 lbs (10.6~14.0 kg)	31.1~37.4 lbs (14.1~17.0 kg)	
23-5/8"~35-7/16" (600~900 mm)	LIN-X450 Standard Set Connecting Bar & Cover included	B			LIN-X450-L540 1 pc LIN-X450C 2 pcs
35-7/16"~47-1/4" (901~1200 mm)	A	B	C		LIN-X450-L840 1 pc LIN-X450C 2 pcs
47-1/4"~59-3/64" (1201~1500 mm)	A	B	C	D	LIN-X450-L1140 1 pc LIN-X450C 2 pcs
59-3/64"~70-7/8" (1501~1800 mm)	B	B	C	D	LIN-X450-L1440 1 pc LIN-X450C 2 pcs
70-7/8"~82-11/16" (1801~2100 mm)	B	B	C	D	LIN-X450-L1740 1 pc LIN-X450C 2 pcs
82-11/16"~94-1/2" (2101~2400 mm)	C	C	C	D	LIN-X450-L2040 1 pc LIN-X450C 2 pcs

Parts Breakdown Table

Item Number	Description		Qty Required			
			A	B	C	D
LIN-X450ACD	Single Arm (with Damper)		2	3	3	3
LIN-X450A	Single Arm (without Damper)		-	-	1	2
230-P4W-32T (for 19mm overlay) or 230-P4W-32T+5 (for 14mm overlay)	Mounting Plate		2	3	4	5
LIN-X450-L540	Connecting Bar L=540MM		See table above			
LIN-X450-L840	Connecting Bar L=840MM					
LIN-X450-L1140	Connecting Bar L=1140MM					
LIN-X450-L1440	Connecting Bar L=1440MM					
LIN-X450-L1740	Connecting Bar L=1740MM					
LIN-X450-L2040	Connecting Bar L=2040MM					
LIN-X450C	End Cap for Connecting Bar		2			

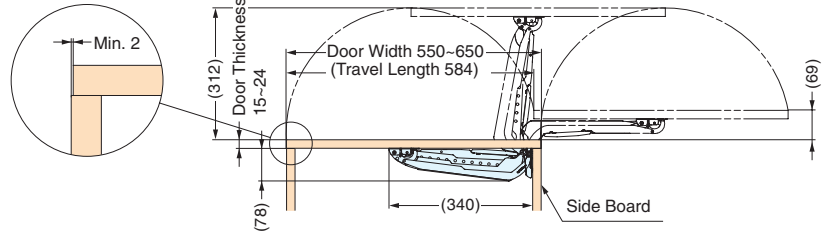
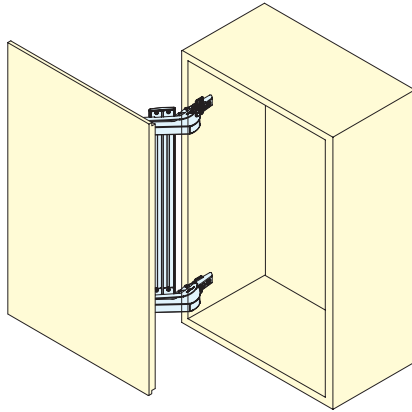
MONO FLAT LIN-X HINGE

LIN-X600

SLIDING & FOLDING CABINET HARDWARE

MONOFLAT LIN-X HINGES

Standard Kit



Please note handle position on other doors before installation, so that hinges will not interfere with the handles.

Item No.	Overlay	Material	Finish
LIN-X600	19 mm (3/4")	Steel, Aluminum	Nickel, Anodized

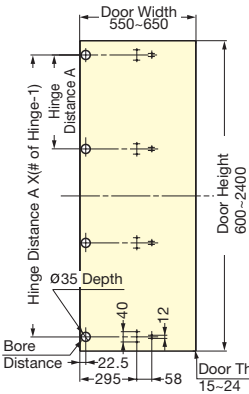
Included Parts: 2 each of Hinge Arms, Mounting Plates, Cup Covers, Bar End Caps and 1 Connecting Bar.

Door Width	550-650 mm (21-5/8"~25-9/16")
Door Height	600-900 mm (23-5/8"~35-7/16")
Door Thickness	15-24 mm (5/8"~15/16")
Door Weight	MAX. 9 kg (19.8 lbs)

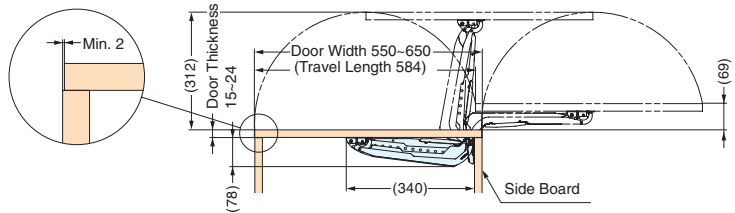
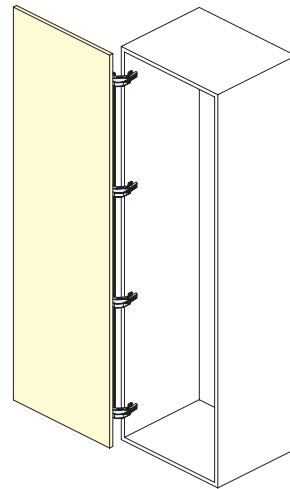
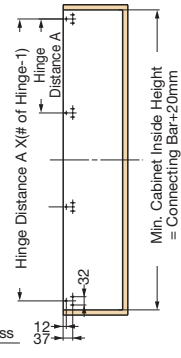
Individual Parts for Tall / Heavy Door

Door Width	550-650 mm (21-5/8"~25-9/16")
Door Height	600-2400 mm (23-5/8"~94-1/2")
Door Thickness	15-24 mm (5/8"~15/16")
Door Weight	Max. 24 kg (52.8 lbs)

Door Preparation



Cabinet Preparation



Please note handle position on other doors before installation, so that hinges will not interfere with the handles.

Hinge Distance A

# of Hinges	Length of Connecting Bar (mm)					
	540	840	1140	1440	1740	2040
2 pcs	490	790	-	-	-	-
3 pcs	245	395	545	695	845	-
4 pcs	-	-	363.3	463.3	563.3	663.3
5 pcs	-	-	-	347.5	422.5	497.5

Individual Parts - Ordering Chart

Ordering Info

Use corresponding letter in below table, and see "Parts Breakdown Table" for parts to be ordered.

Door Height	Door Weight					Connecting Bar / Cover Cap
	~19.9lbs (~9.0kg)	20.0~26.5 lbs (9.1~12.0 kg)	26.6~35.4 lbs (12.1~16.0 kg)	35.5~44.2 lbs (16.1~20.0 kg)	44.3~52.8 lbs (20.1~24.0 kg)	
23-5/8"~35-7/16" (600~900 mm)	LIN-X600 Standard Set Connecting Bar & Cover included	B				LIN-X60-L540 1 pc LIN-X60C 2 pcs
35-7/16"~47-1/4" (901~1200 mm)		B	B			LIN-X60-L840 1 pc LIN-X60C 2 pcs
47-1/4"~59-3/64" (1201~1500 mm)		B	B	C		LIN-X60-L1140 1 pc LIN-X60C 2 pcs
59-3/64"~70-7/8" (1501~1800 mm)		B	B	C	D	LIN-X60-L1440 1 pc LIN-X60C 2 pcs
70-7/8"~82-11/16" (1801~2100 mm)		B	B	C	D	LIN-X60-L1740 1 pc LIN-X60C 2 pcs
82-11/16"~94-1/2" (2101~2400 mm)			C	C	D	LIN-X60-L2040 1 pc LIN-X60C 2 pcs

Parts Breakdown Table

Item Number	Description	Image	Qty Required			
			A	B	C	D
LIN-X600ACD	Single Arm (with Damper)		2	3	3	3
LIN-X600A	Single Arm (without Damper)		-	-	1	2
230-P4W-32T (for 19mm overlay)	Mounting Plate		2	3	4	5
LIN-X60-L540	Connecting Bar L=540MM		See table above			
LIN-X60-L840	Connecting Bar L=840MM					
LIN-X60-L1140	Connecting Bar L=1140MM					
LIN-X60-L1440	Connecting Bar L=1440MM					
LIN-X60-L1740	Connecting Bar L=1740MM					
LIN-X60-L2040	Connecting Bar L=2040MM					
LIN-X60C	End Cap for Connecting Bar		2			

MONOFLAT DOOR SERIES

SLIDING & FOLDING
CABINET HARDWARE

MONOFLAT DOOR SERIES



MonoFlat FAD™
FAD-5
Door Weight: Max. 5kg (11 lbs)
Please see P557 for details



MonoFlat LIN-X hinge™
LIN-X450 / 600
Door Weight: Max. 17~24 kg (37~53 lbs)
Please see P550~555 for details



MonoFlat FAD™
FAD-20
Door Weight: Max. 20 kg (44 lbs)
Please see P558~559 for details



MonoFlat FAD™
FAD-44 / 44L
Door Weight: Max. 35 kg (77 lbs)
Please see P560~561 for details



MonoFlat FAD™
FAD-54 / 54L
Door Weight: Max. 35 kg (77 lbs)
Please see P514~515 for details



MonoFlat UNISON™
MFU
Door Weight: Max. 30 kg (66 lbs)
Please see P516~517 for details



MonoFlat FAD™

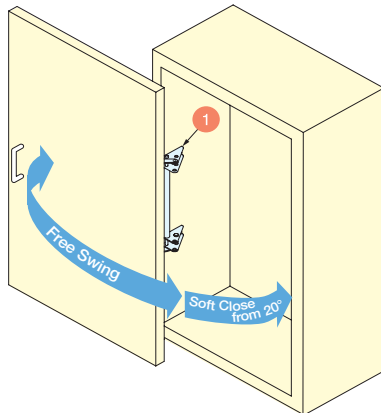
Door Width	270 ~ 350 mm (10-5/8"~13-3/4")
Door Height	260 ~ 650 mm (10-1/4" ~25-9/16")
Door Thickness	15 ~ 20 mm (19/32"~25/32")
Door Weight	5kg (11 lbs)

SLIDING & FOLDING
CABINET HARDWARE

MONOFLAT DOOR SYSTEM

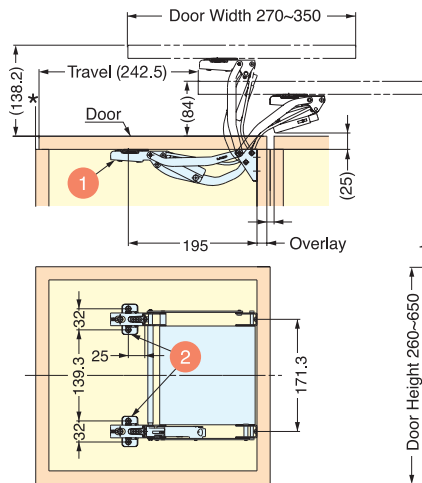
MONOFLAT FAD (For Light Weight Doors)

FAD-5

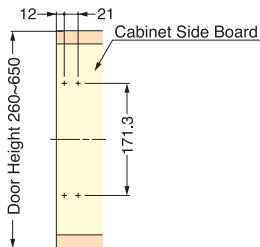


- **Lateral Swing Mechanism**
Allows doors to swing out laterally in a small radius, ideal for tight front space application.
- **Free Swing & Soft-close**
- **3-Way Adjustable**
- **Various Applications**
Can be used in single or double door configuration.
Ideal for cabinets in kitchen, bathroom, laundry room etc.
*For overlay use.

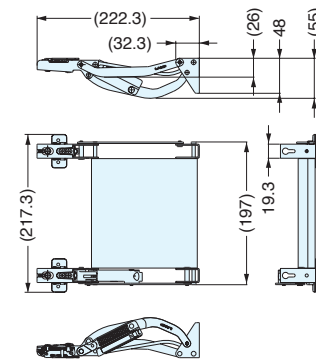
- Other "MonoFlat series" available.
 MonoFlat FAD-20 For door weight 20 kg (44 lbs) – P.558-559
 MonoFlat LIN-X For door weight 24 kg (53 lbs) – P.550-555
 MonoFlat Unison For door weight 30 kg (66 lbs) – P.516-517
 MonoFlat FAD-44 For door weight 35 kg (77 lbs) – P.560-561
 MonoFlat FAD-54 For door weight 35 kg (77 lbs) – P.514-515



*4mm gap required between doors.



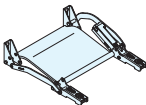
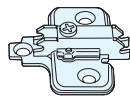
■ Hinge Dimensions



■ Part Details

Item No.	Box (sets)
FAD-5	1

1set includes both hinge body and mounting plates.

No.	Qty	Part Name	Material / Finish
1	1pc	 Hinge Body	<ul style="list-style-type: none"> • Material Aluminum, Polyacetal, Steel • Finish / Color Anodized, Grey, Nickel
2	2pcs	 Mounting Plate	<ul style="list-style-type: none"> • Material / Steel • Finish / Nickel



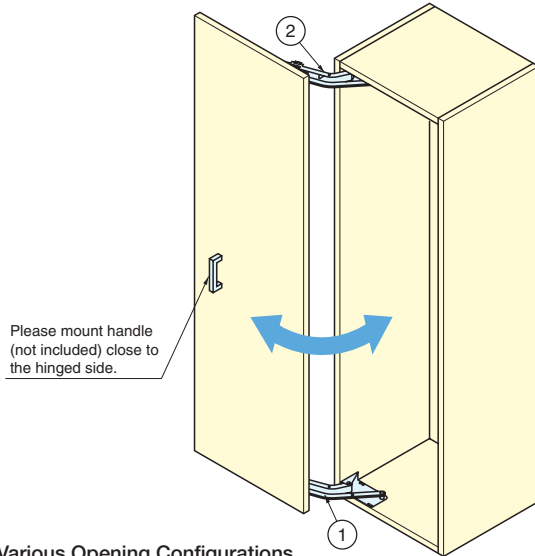
MonoFlat FAD™

Inside Door Width	500-550mm (19-11/16" - 21-21/32")
Inside Door Height	Max. 2420 mm (95-9/32")
Door Thickness	Max. 35 mm (1-3/8")
Door Weight	Max. 20kg (44 lbs) / Door

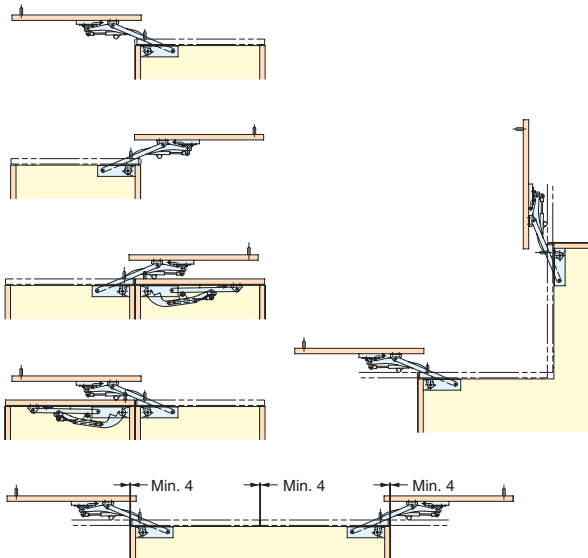
- Lateral Opening Mechanism
Allows doors to swing out laterally in a small radius, ideal for tight front space application.
- Smooth Movement
Built-in gas spring provides a smooth self opening & closing movement.
- Various applications
Can be used in single or double door configuration.
Ideal for storage cabinets in kitchen, closet room, bathroom, laundry room etc.
*For overlay use.

MONOFLAT FAD (For Medium Weight Doors)

FAD-20

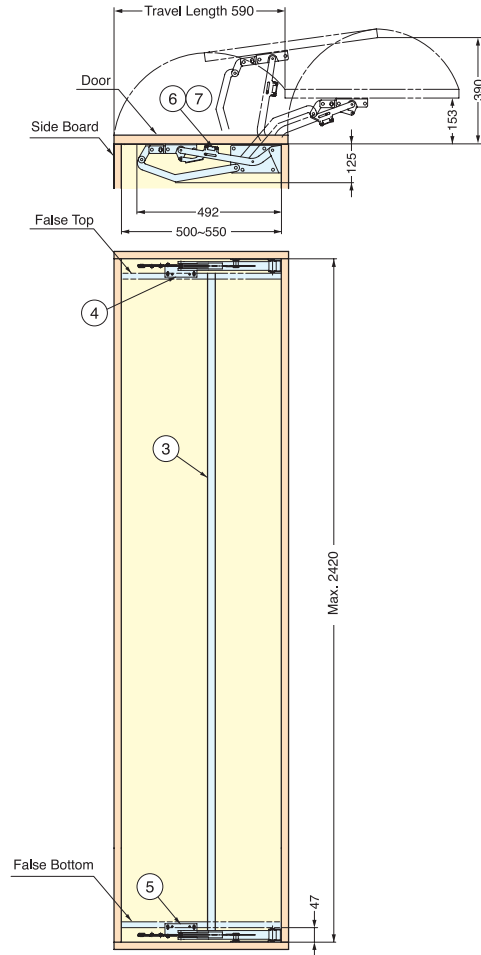


Various Opening Configurations



Other "MonoFlat series" available.

- MonoFlat FAD-5 For door weight 5kg (11lbs) - Page 557
- MonoFlat LIN-X For door weight 24kg (53lbs) - Page 550-555
- MonoFlat Unison For door weight 30kg (66lbs) - Page 516-517
- MonoFlat FAD-44 For door weight 35kg (77lbs) - Page 560-561
- MonoFlat FAD-54 For door weight 35kg (77lbs) - Page 514-515



Part Details

No.	①	②	③	④	⑤	⑥	⑦
Name	Arm A	Arm B	Connecting Bar	Door Bracket (Top)	Door Bracket (Bottom)	Bar Clamp	End Cap
Qty. / Set	1 pc	1 pc	1 pc	1 pc	1 pc	2 pcs	2 pcs
Discription	<ul style="list-style-type: none"> • Material Aluminum, Steel • Finish / Color Silver 	<ul style="list-style-type: none"> • Material Aluminum, Steel • Finish / Color Silver 	<ul style="list-style-type: none"> • Material / Steel • Finish / Color Silver 	<ul style="list-style-type: none"> • Material / Steel • Finish / Color Silver 	<ul style="list-style-type: none"> • Material / Steel • Finish / Color Silver 	<ul style="list-style-type: none"> • Material / Steel • Finish / Color Silver 	<ul style="list-style-type: none"> • Material Polyethylene • Finish / Color Black

Flush closing door Systems

A recent development, Flush-closing sliding door systems offer an unbroken surface for storage systems giving a minimalist contemporary look. Sugatsune's approach is to give the designer a complete range of flush closing options from small cabinets to full height walk in wardrobe or partition doors.



Revolutionary MultiMo Interleaved Sliding Door System - P.548~549



FAD Lateral Opening Door System - P.514~515



Multimo Flush Door System - P.548~549

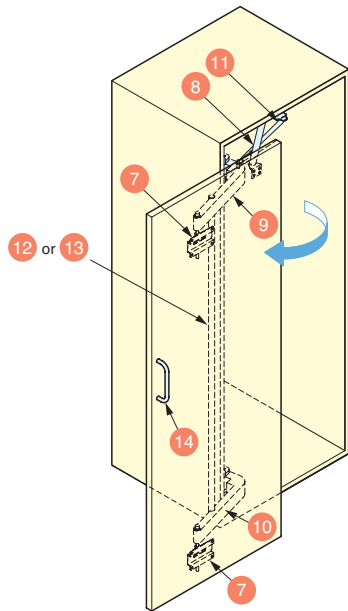


MonoFlat FAD™

Item No.	FAD-44	FAD-44L
Door Width	800-850 mm (31-1/2"~33-15/32")	
Door Height	Max. 2380 mm (93-11/16")	Max. 2980 mm (117-5/16")
Door Thickness	24 ~ 38 mm (61/64"~1-1/2")	
Door Weight	Max. 35kg (77 lbs)	

MONOFLAT FAD (For Large Cabinet Doors)

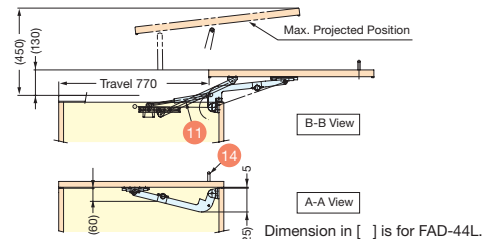
FAD-44 / FAD-44L



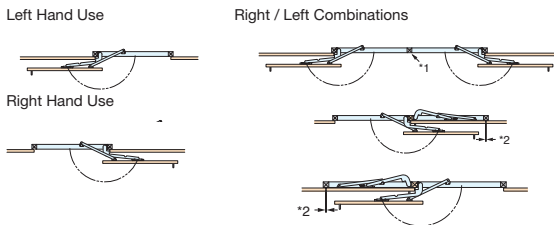
- **Lateral Opening Mechanism**
Allows doors to swing out laterally in a small radius, ideal for tight front space application.
- **No rails and bottom guide required**
- **Smooth Movement**
Built-in gas spring provides a smooth self opening & closing movement.
- **Height adjustable by cutting arm connecting pipe**
- **Various applications**
Can be used in single or double door configuration.
Ideal for storage cabinets in kitchen, closet room, bathroom, laundry room etc.
*For overlay use.

- Other "MonoFlat series" available.

MonoFlat FAD-5	For door weight 5 kg (11 lbs) – P.557
MonoFlat FAD-20	For door weight 20 kg (44 lbs) – P.558
MonoFlat LIN-X	For door weight 24 kg (53 lbs) – P.550
MonoFlat Unison	For door weight 30 kg (66 lbs) – P.516

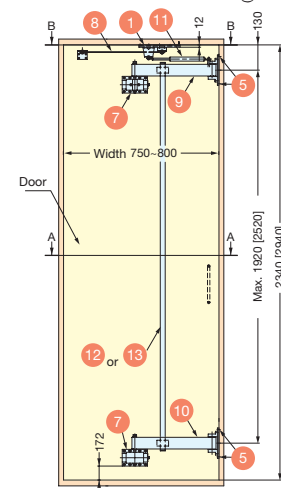
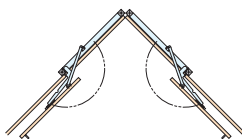


Various Opening Configurations



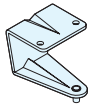
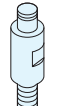
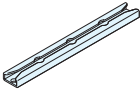
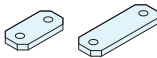
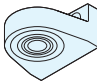

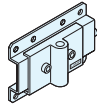

*1 Vertical frame or door stoppers on floor for both doors required in center.
*2 Min.4mm gap around door.

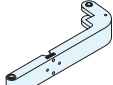
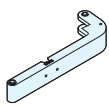
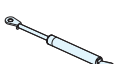
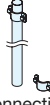



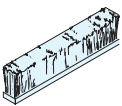
Corner Use



Parts Set (per door)		Necessary Parts	
Item No.	Door Height	Description	
FAD-44	Max. 2380mm (93-11/16")	Please see Qty a	
FAD-44L	Max. 2980mm (117-5/16")	Please see Qty b	

Parts Included

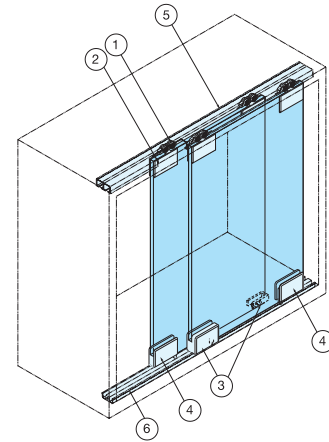
No.	Qty		Part Name	Description
	a	b		
1	1pc	1pc	 Gas Spring Bracket	<ul style="list-style-type: none"> Material / Steel Finish / Clear Zinc Chromate
2	1pc	1pc	 Screw Pin	<ul style="list-style-type: none"> Material / Steel Finish / Clear Zinc Chromate
3	1pc	1pc	 Channel Rail	<ul style="list-style-type: none"> Material / Steel Finish / Nickel
4	1ea	1ea	 Square Nut	<ul style="list-style-type: none"> Material / Steel Finish / Clear Zinc Chromate
5	4pcs	4pcs	 Bearing Housing	<ul style="list-style-type: none"> Material / Aluminum Finish / Color - Silver
6	2pcs	2pcs	 Hinge Base Plate	<ul style="list-style-type: none"> Material / Zinc Alloy Finish / Color - Silver
7	2pcs	2pcs	 Arm Bracket	<ul style="list-style-type: none"> Material / Steel / Polyacetal Finish / Color - Silver
8	1pc	1pc	 Support Arm	<ul style="list-style-type: none"> Material / Steel / Polyacetal Finish / Color - Silver

No.	Qty		Part Name	Description
	a	b		
9	1pc	1pc	 Upper Arm	<ul style="list-style-type: none"> Material / Aluminum Finish / Color - Silver
10	1pc	1pc	 Lower Arm	<ul style="list-style-type: none"> Material / Aluminum Finish / Color - Silver
11	1pc	1pc	 Gas Spring	<ul style="list-style-type: none"> Color / Grey
12	1set	-	 Connecting Pipe & Clamp	<ul style="list-style-type: none"> Material / Steel Finish / Color - Silver 1990 mm
13	-	1set	 Connecting Pipe & Clamp	<ul style="list-style-type: none"> Material / Steel Finish / Color - Silver 2600 mm
14	1pc	1pc	 Handle	<ul style="list-style-type: none"> Material / 304 Stainless Steel Finish / Mirror
15	1pc	1pc	 Bumper	<ul style="list-style-type: none"> Material / Polyurethane Finish / Clear
16	1pc	1pc	 Strip Brush	<ul style="list-style-type: none"> Color / Grey

XL-GC SERIES (FOR SLIDING DOORS)



- Installation example: Double bypass doors.
(Refer to order quantity below)



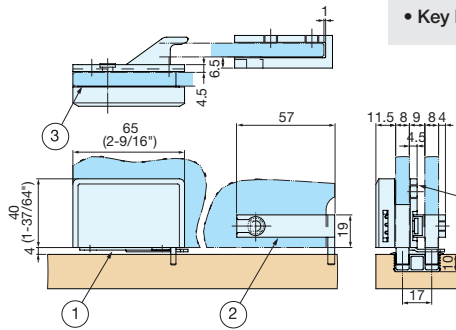
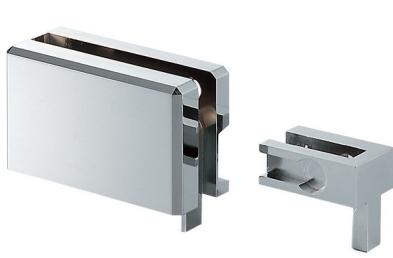
Door Width	Max. 500 mm (19-11/16")
Door Height	Max. 1200 mm (47-1/4")
Door Weight	Max. 12kg (26.5 lbs) / Per Door
Glass Thickness	8 mm (5/16")

Part Details

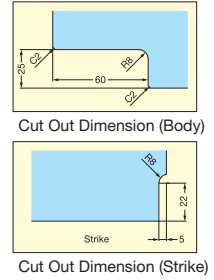
Order Quantity	No.	Item No.	Part Name	Dimensions	Description
4 ea	①	53-3061-081	Upper Roller		<ul style="list-style-type: none"> ● Material Zinc Alloy (Body) Polyacetal (Roller) ● Finish / Color Yellow Zinc Chromate (Body) White (Roller)
1 set	②	XL-GC06-C	Upper Bracket	See P.563	<ul style="list-style-type: none"> ● Material Zinc Alloy ● Finish / Color Chrome <p>*4 pcs per set (for 2 glass doors)</p>
1 ea	③	XL-GC03-C	Lock	See P.563	<ul style="list-style-type: none"> ● Material Zinc Alloy ● Finish / Color Chrome <p>*24 key changes (2 keys Included)</p>
1 pair	④	XL-GC08-C	Bottom Guide Bracket	See P.563	<ul style="list-style-type: none"> ● Material Zinc Alloy ● Finish / Color Chrome <p>*1 pair (Left / Right) per set</p>
1 ea	⑤	XL-GC06-UL1200	Upper Rail		<ul style="list-style-type: none"> ● Material Aluminum ● Finish / Color Plain <p>*Length: 1200 mm (47-23/32")</p>
1 ea	⑥	XL-GC03-GL 1200	Bottom Rail		<ul style="list-style-type: none"> ● Material ABS ● Finish / Color Black <p>*Length: 1200 mm (47-23/32")</p>

GLASS LOCK (FOR SLIDING DOOR)

XL-GC03



• Key hole located on the side for clean appearance.

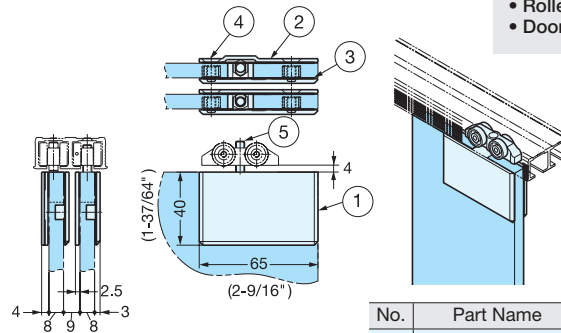


No.	Part Name	Material	Finish/Color
①	Body	Zinc Alloy	Chrome
②	Strike		
③	Spacer	Synthetic Rubber	Black
④	Screws	304 Stainless Steel	Plain
⑤	Key	Brass	Nickel

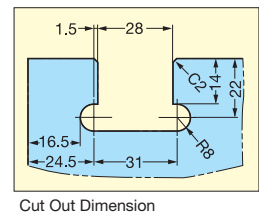
Item No.	Glass Thickness (mm)	Key Changes	Key (pcs)	Weight (g)	Box (pcs)	Carton (pcs)
XL-GC03-C	8 (5/16")	24	2	351	1	24

UPPER BRACKET (FOR SLIDING DOOR)

XL-GC06



• 4 pcs per set
 • Roller (53-3061-081) sold separately.
 • Door Size: Max. W500 x H1200 x t8mm

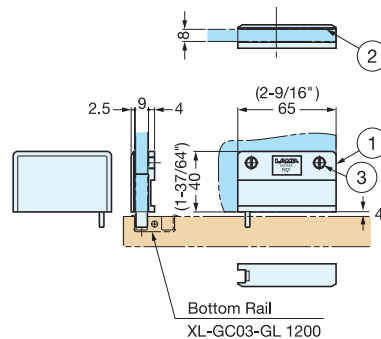
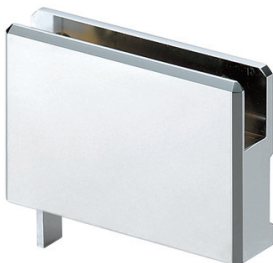


No.	Part Name	Material	Finish/Color
①	Body	Zinc Alloy	Chrome
②	Backplate	Steel	
③	Spacer	Synthetic Rubber	Clear
④	Screws	304 Stainless Steel	Plain
⑤	Bolt	Steel	Clear Zinc Chromate

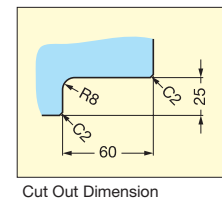
Item No.	Glass Thickness (mm)	Load Capacity (kg)	Weight (g)	Box (sets)	Carton (sets)
XL-GC06-C	8 (5/16")	12 (26.5lbs) / Door	400	1	24

BOTTOM GUIDE BRACKET (FOR SLIDING DOOR)

XL-GC08



• 1 pair (Left / Right) per set



No.	Part Name	Material	Finish/Color
①	Body	Zinc Alloy	Chrome
②	Spacer	Synthetic Rubber	Black
③	Screws	304 Stainless Steel	Plain

Item No.	Glass Thickness (mm)	Weight (g)	Box (pairs)	Carton (pairs)
XL-GC08-C	8 (5/16")	360	1	24

180° ROTATING CABINET SYSTEM

RB-600

SLIDING & FOLDING CABINET HARDWARE

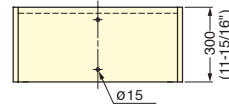
180° ROTATING CABINET SYSTEM



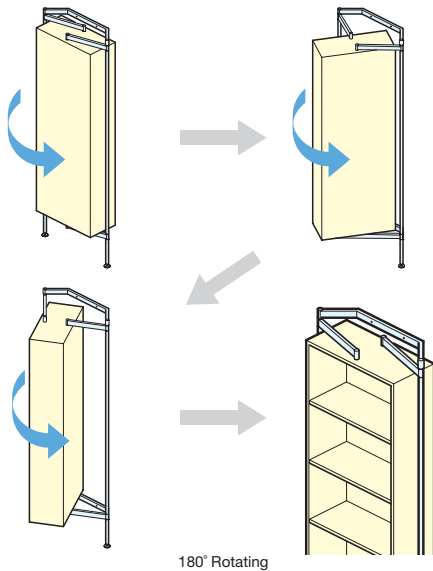
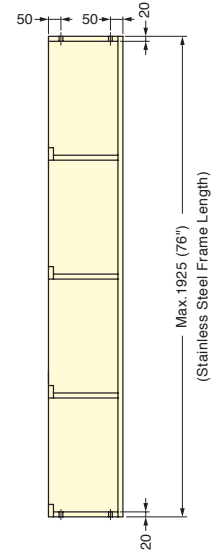
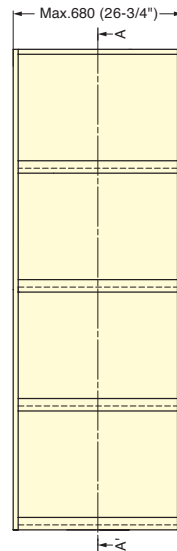
Cabinet Width	Max. 680 mm (26-3/4")
Cabinet Height	Max. 1930 mm (76")
Total Height	RB-600-NC--- Cabinet Height + 230 (9-1/16") RB-600-ST--- Cabinet Height + 435 (17-1/8") RB-600-CH--- Cabinet Height + 600 (26")
Cabinet Depth	300 mm (11-13/16")
Load capacity	Max. 75kg (165 lbs) **incl. cabinet**

- Innovative "reversible" cabinet system rotates 180° for easy access to both sides.
- 3 model types available: Inset Wall Type (NC), Floor Type (ST), and Floor-to-Ceiling Type (CH).
- Stainless steel frame can be cut to length to accommodate cabinets of various heights.
- Useful for a variety of storage and display installations in residential and retail settings.

■ Cabinet Preparation

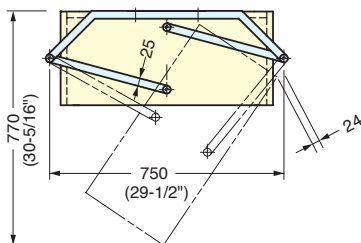


A-A' Section



180° Rotating

■ Rotating Clearance



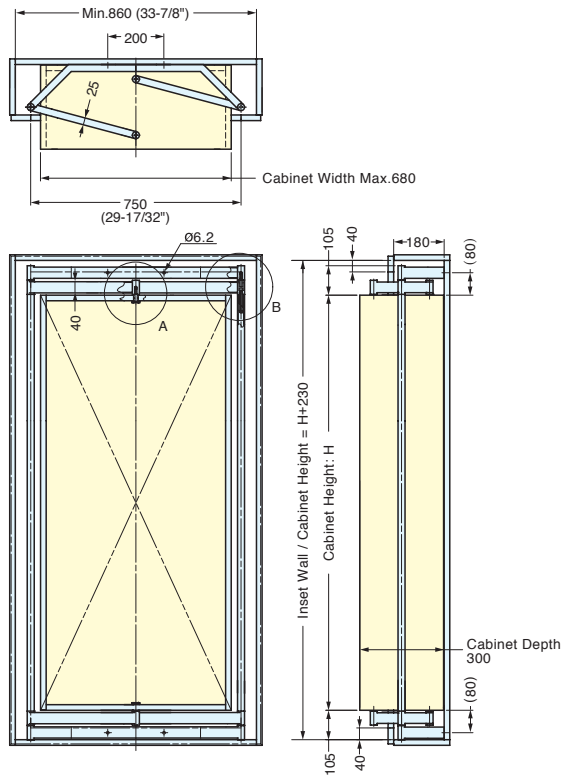
Item No.	Installation	Material / Finish
RB-600-NC	Inset Wall / Cabinet	304 Stainless Steel / Satin
RB-600-ST	Floor	
RB-600-CH	Floor-to-Ceiling	

Assembly Wrench (Sold separately)



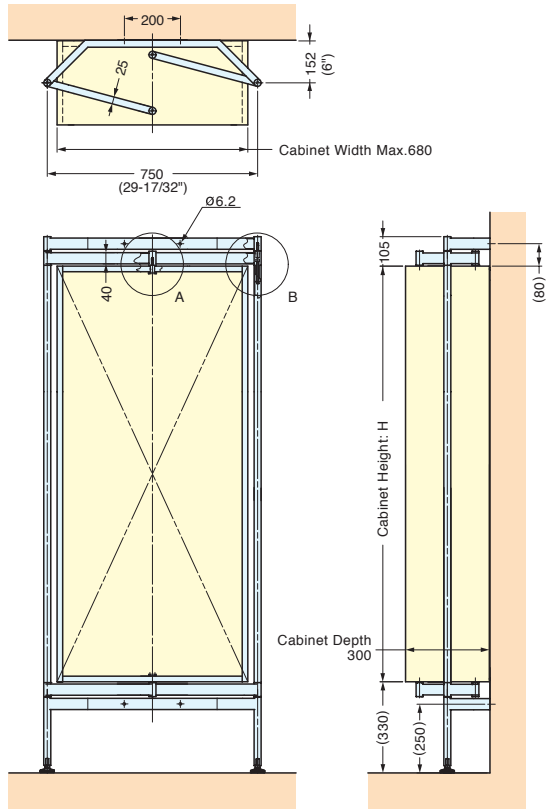
Item No.	Z059
----------	------

■ RB-600-NC, Inset Wall / Cabinet



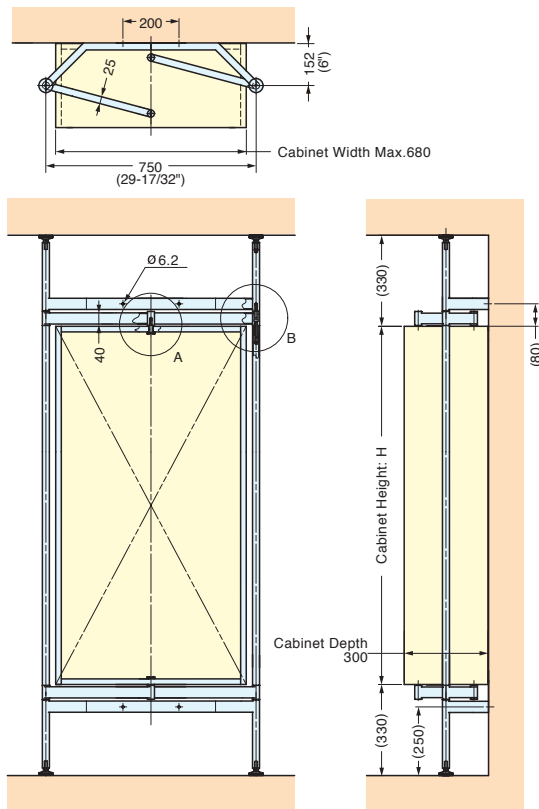
Max. cabinet height: 1925 mm (75-3/4")

■ RB-600-ST, Installation - Floor



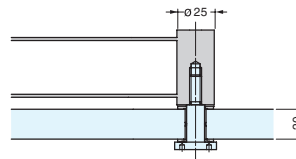
Max. cabinet height: 1925 mm (75-3/4")

■ RB-600-CH, Installation - Floor-to-Ceiling

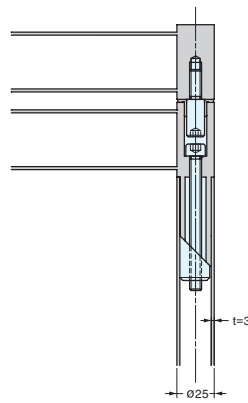


Max. cabinet height: 1925 mm (75-3/4")

■ Detail-A



■ Detail-B



SHUTTER DOOR SYSTEM <SPECIAL ORDER>

DIS-M

SLIDING & FOLDING
CABINET HARDWARE

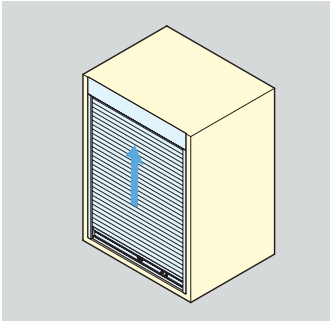
SHUTTER DOOR SYSTEM <SPECIAL ORDER>



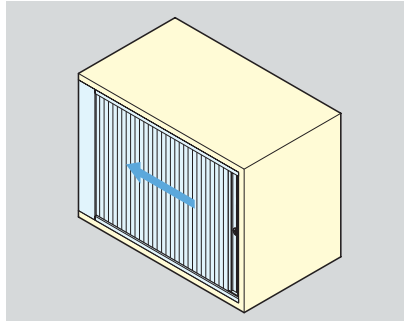
	Vertical	Horizontal	Horizontal-Double Doors
Cabinet Inside Width	300~1200 mm	300~900 mm	600~1800 mm
Cabinet Inside Height	300~900 mm	100~1200 mm	100~1200 mm
Cabinet Inside Depth	Min. 330 mm	Min. 330 mm	Min. 330 mm

- Surface mount
- No boring is required

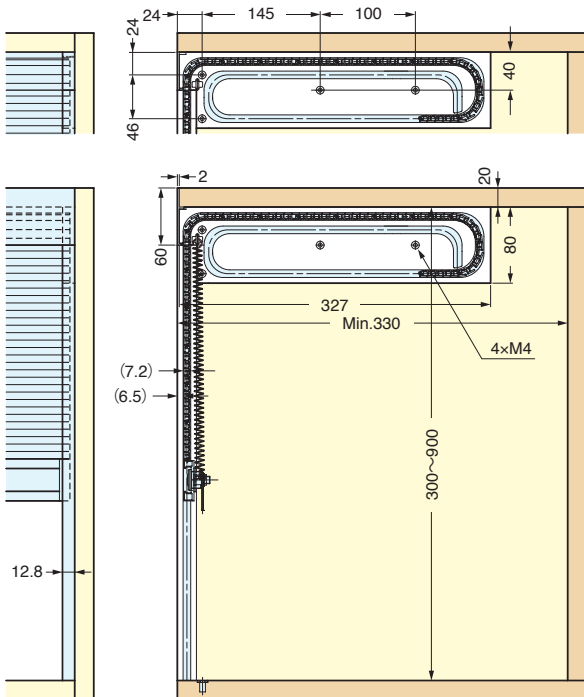
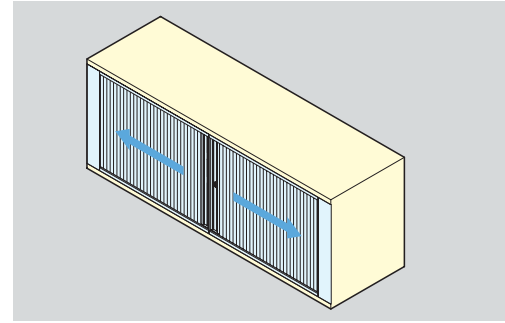
■ Vertical



■ Horizontal



■ Horizontal - Double Doors



SHUTTER DOOR SYSTEM <SPECIAL ORDER>

DIS-H

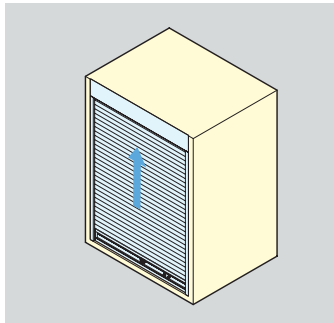


	Vertical	Horizontal	Horizontal-Double Doors
Cabinet Inside Width	300~900 mm	300~900 mm	600~1800 mm
Cabinet Inside Height	300~900 mm	100~1188 mm	100~1188 mm
Cabinet Inside Depth	200~600 mm	200~600 mm	200~600 mm

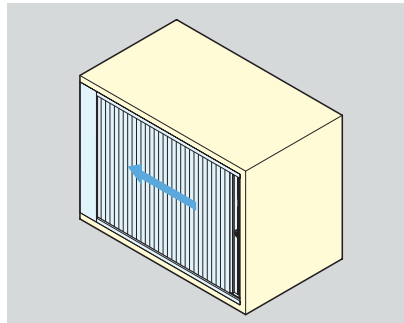
- Recessed mount
- Minimum installation space is required.

SLIDING & FOLDING CABINET HARDWARE
SHUTTER DOOR SYSTEM <SPECIAL ORDER>

■ Vertical



■ Horizontal



■ Horizontal - Double Doors

