



CABINET HANDLES, PULLS & KNOBS

HANDLES
RECESSED PULLS
TRUNK HANDLES
PULLS
HATCH PULLS
KNOBS
PUSH KNOBS

STAINLESS STEEL HANDLES (Back Screw Mount)

INDEX - HANDLES

CABINET HANDLES, PULLS & KNOBS

| Picture | Item No. | Center to Center | Page |
|---------|-----------|----------------------|------|
| | ZL-2001 | 1-1/4" ~ 10-1/16" | 34 |
| | ZL-2002 | 3-25/32" ~ 12-19/32" | 35 |
| | 16 SERIES | 3-25/32" ~ 23-5/16" | 36 |
| | 27 SERIES | 3-25/32" ~ 23-5/16" | 36 |
| | DIH | 3-25/32" ~ 23-5/16" | 36 |
| | 26 SERIES | 3-25/32" ~ 54-13/16" | 37 |
| | 28 SERIES | 3-25/32" ~ 54-51/64" | 37 |
| | 70 SERIES | 3-25/32" ~ 12-19/32" | 37 |
| | 30 SERIES | 3-25/32" ~ 7-9/16" | 38 |
| | 50 SERIES | 3-25/32" ~ 7-9/16" | 38 |
| | DSI-120 | 3-25/32" ~ 20-5/32" | 38 |
| | 82 SERIES | 6-16/64" ~ 12-19/32" | 39 |
| | 90 SERIES | 6-19/64" ~ 7-9/16" | 39 |
| | DL | 2-33/64" ~ 5-43/64" | 40 |
| | DS | 63/64" ~ 3-11/32" | 40 |
| | EC | 3-5/8" ~ 6-25/32" | 40 |
| | FB | 3-7/32" ~ 4-23/32" | 41 |
| | KB | 63/64" ~ 3-11/32" | 41 |
| | KS | 3" ~ 4" | 41 |
| | KC-S | 3-1/2" ~ 6" | 42 |
| | EK-S | 3-1/2" ~ 6" | 42 |
| | XL-JS | 6-19/64" ~ 13-55/64" | 42 |
| | KC-R | 3-1/2" ~ 6" | 43 |
| | EK-R | 3-1/2" ~ 6" | 43 |

| Picture | Item No. | Center to Center | Page |
|---------|-------------------|----------------------|------|
| | XL-JSR | 1-17/64" ~ 5-1/32" | 43 |
| | ECH | 2-61/64" ~ 11-13/16" | 44 |
| | XL-CU | 2-27/32" ~ 11-1/2" | 44 |
| | XL-CUR | 2-3/4" ~ 5-33/64" | 44 |
| | 40 SERIES | 5-7/16" ~ 7-61/64" | 45 |
| | KPH | 6-19/64" ~ 11-11/32" | 45 |
| | DSI-110 | 3-25/32" ~ 20-5/32" | 45 |
| | SWP | 3" ~ 3-25/32" | 46 |
| | SWF | 4" ~ 12" | 46 |
| | H-75-BL-100 | 3-15/16" | 46 |
| | H-42-B | 1-37/64" ~ 11-11/32" | 47 |
| | H-42-C | 2-23/64" ~ 11-11/32" | 47 |
| | H-42-F14 | 3-5/32" | 47 |
| | H-75-C | 2-23/64" ~ 4-23/32" | 48 |
| | LF-12 | 3-25/32" ~ 6-19/64" | 48 |
| | HK | 3-5/32" ~ 4-23/32" | 48 |
| | H42-CT | 3-15/16" ~ 5-29/32" | 49 |
| | H42-BT | 3-15/16" ~ 5-29/32" | 49 |
| | LX-90/M, LX-110/M | 3" ~ 3-25/32" | 50 |

HANDLES (Front Screw Mount)

| Picture | Item No. | Center to Center | Page |
|---------|----------|----------------------|------|
| | MG | 5-29/32" ~ 11-13/16" | 39 |
| | 2LC | 2-33/64" ~ 7-3/32" | 50 |
| | 3LC | 4-9/64" ~ 4-59/64" | 51 |

PITCH ADJUSTABLE HANDLES

| Picture | Item No. | | Center to Center | Page |
|---------|------------------|--|----------------------|------|
| | 4LC | | 2-23/64" ~ 6-19/64" | 51 |
| | MH-P | | 3-15/16" ~ 5-29/32" | 52 |
| | US | | 2-1/8" ~ 5-33/64" | 52 |
| | EC-H | | 4-17/32" ~ 5-45/64" | 52 |
| | FT-110S | | 4-21/64" | 53 |
| | FT-65,80,100 | | 2-1/4" ~ 3-15/32" | 53 |
| | FT-120,150 | | 4-11/64" ~ 5-3/16" | 53 |
| | EC-Y | | 4-23/32" ~ 6-11/16" | 54 |
| | 2LC-Ti | | 2-33/64" ~ 5-1/32" | 54 |
| | FT-200, 280 | | 6-57/64" ~ 9-31/32" | 55 |
| | FT-S280, FT-S370 | | 7-23/32" ~ 10-29/32" | 55 |

| Picture | Item No. | Center to Center | Page |
|---------|-----------|------------------|------|
| | FK-100-WW | - | 60 |
| | FM-120-WW | - | 60 |
| | FM-220-WW | - | 60 |

RECESSED PULLS

HANDLES (Back Screw Mount)

| Picture | Item No. | | Center to Center | Page |
|---------|-----------|--|----------------------|------|
| | TMH | | 3-25/32" ~ 7-9/16" | 56 |
| | DLB | | 3-25/32" | 56 |
| | LX-110/SN | | 3-25/32" | 56 |
| | KK-H | | 2-3/4" ~ 4-23/32" | 57 |
| | KK-M | | 2-3/4" ~ 4-23/32" | 57 |
| | XLA-HA | | 3-25/32" ~ 12-19/32" | 58 |
| | SGH-200 | | 6-7/8" | 58 |
| | SAZ | | 4-1/64" | 59 |
| | 936 | | 2-11/64" ~ 3-61/64" | 59 |
| | KAKU-A | | 3-1/16" ~ 4-7/16" | 59 |

| Picture | Item No. | | Page |
|---------|--------------|--|------|
| | YK-70 | | 61 |
| | YK-W100 | | 61 |
| | HH-P135 | | 61 |
| | HH-KS | | 62 |
| | HH-DS | | 62 |
| | HH-K | | 62 |
| | HH-D | | 63 |
| | UT | | 63 |
| | SP | | 63 |
| | HH-KL160 | | 64 |
| | HH-KP150 | | 64 |
| | HH-FB, HH-FC | | 64 |
| | HH-AS2 | | 65 |
| | HH-AS3 | | 65 |
| | ES-611 | | 65 |
| | UTZ-130 | | 66 |
| | SD-160 | | 66 |
| | AT-100 | | 67 |

RECESSED PULLS

| Picture | Item No. | | Page |
|---------|------------------|--|------|
| | AT-70 | | 67 |
| | ATS-100 | | 67 |
| | XLA-HH | | 68 |
| | HH-QTR | | 68 |
| | HH-PS99 | | 69 |
| | UP-600 | | 69 |
| | HH-M | | 70 |
| | HH-P | | 70 |
| | ZL-2501 | | 71 |
| | RP | | 71 |
| | HN | | 72 |
| | OP-150 | | 72 |
| | 3511,3512 SERIES | | 73 |
| | 3922 SERIES | | 73 |

TRUNK HANDLES

| Picture | Item No. | | Page |
|---------|----------|--|------|
| | HCT-150 | | 74 |
| | MUD-140 | | 74 |
| | TMU-115 | | 75 |
| | PT-148 | | 75 |

PULLS

| Picture | Item No. | | Page |
|---------|----------------|--|------|
| | SN | | 76 |
| | SND | | 76 |
| | DSI-350 | | 76 |
| | AG | | 77 |
| | CN | | 77 |
| | DR | | 77 |
| | RD-55/SM,90/SM | | 78 |
| | RD | | 78 |
| | FS-04/S | | 79 |
| | FS-06/S | | 79 |
| | AOT35 | | 79 |

FOLDING RING PULLS

| Picture | Item No. | | Page |
|---------|------------------|--|------|
| | 26700 | | 80 |
| | 26900 | | 80 |
| | 26901 | | 80 |
| | 980643 | | 81 |
| | 980641 | | 81 |
| | 980642 | | 81 |
| | 980640 | | 81 |
| | 580 | | 82 |
| | 587 | | 82 |
| | 587B | | 83 |
| | 3261,3262 SERIES | | 83 |

HATCH PULLS

| Picture | Item No. | | Page |
|---------|--------------------|---------------------------------------|------|
| | ST-90,115 | NSF COMPONENT STAINLESS 304 STEEL | 84 |
| | ST-80,100 | NSF COMPONENT STAINLESS 304 STEEL | 84 |
| | HR | RoHS COMPLIANT STAINLESS 304 STEEL | 85 |
| | HR-R | RoHS COMPLIANT STAINLESS 304 STEEL | 85 |
| | FH-100AK, FH-100BK | | 86 |
| | FH-100AM, FH-100BM | | 86 |

KNOBS

| Picture | Item No. | | Page |
|---------|----------|---------------------------------------|------|
| | ZL-1906 | RoHS COMPLIANT STAINLESS 316 STEEL | 87 |
| | ZL-1909 | RoHS COMPLIANT STAINLESS 316 STEEL | 87 |
| | ZL-1901 | RoHS COMPLIANT STAINLESS 316 STEEL | 88 |
| | ZL-1902 | RoHS COMPLIANT STAINLESS 316 STEEL | 88 |
| | ZL-1903 | RoHS COMPLIANT STAINLESS 316 STEEL | 88 |
| | ZL-1904 | RoHS COMPLIANT STAINLESS 316 STEEL | 89 |
| | ZL-1905 | RoHS COMPLIANT STAINLESS 316 STEEL | 89 |
| | ZL-1907 | STAINLESS 316 STEEL | 90 |
| | ZL-2503 | STAINLESS 316 STEEL | 90 |
| | DSI-126D | STAINLESS 304 STEEL | 90 |
| | GT-40CR | | 91 |
| | DG-BT | | 91 |
| | DG-BT2 | | 91 |
| | EY-127 | STAINLESS 304 STEEL | 92 |
| | EY-207 | STAINLESS 304 STEEL | 92 |

| Picture | Item No. | | Page |
|---------|----------|--|------|
| | EY-301 | STAINLESS 304 STEEL | 92 |
| | EY-320 | STAINLESS 304 STEEL | 93 |
| | DSI-209 | STAINLESS 304 STEEL | 93 |
| | EY-326 | STAINLESS 304 STEEL | 93 |
| | EY-327 | STAINLESS 304 STEEL | 93 |
| | EY-338 | STAINLESS 304 STEEL | 94 |
| | EY-339 | STAINLESS 304 STEEL | 94 |
| | TS | | 94 |
| | RS-38 | RoHS COMPLIANT NSF COMPONENT STAINLESS 304 STEEL | 95 |
| | RSS | RoHS COMPLIANT NSF COMPONENT STAINLESS 304 STEEL | 95 |
| | DJ-22 | | 95 |
| | GLA | | 96 |
| | KK-T | ALUMINIUM | 96 |
| | KK-B | ALUMINIUM | 96 |
| | MRB | | 97 |
| | SY | | 97 |
| | MKZ | | 97 |
| | TMT | | 98 |
| | DW-50N | | 98 |
| | A SERIES | ALUMINIUM | 98 |

PUSH KNOBS

| Picture | Item No. | | Page |
|---------|----------|---------------------|------|
| | ZL-1908 | STAINLESS 316 STEEL | 99 |
| | PK-03 | | 99 |



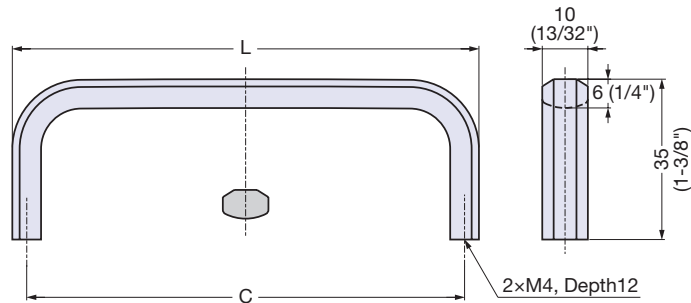
Zwei L Handle



ZL-2001



- Models ZL-2001-32, ZL-2001-64, ZL-2001-96, ZL-2001-128 are RoHs compliant.
- Includes 1-3/16" long stainless steel screws (M4 x 30).



| Item No. | Material | Finish / Color | L | C | Weight (g) | Box (pcs) |
|-------------|---------------------|----------------|-----|------------------|------------|-----------|
| ZL-2001- 32 | 316 Stainless Steel | Zwei L | 38 | 32 (1-1/4") | 34 | 20 |
| ZL-2001- 64 | | | 70 | 64 (2-1/2") | 46 | 12 |
| ZL-2001- 96 | | | 102 | 96 (3-25/32") | 59 | 12 |
| ZL-2001-128 | | | 134 | 128 (5-1/32") | 72 | 10 |
| ZL-2001-160 | | | 166 | 160 (6-5/16") | 86 | 10 |
| ZL-2001-192 | | | 198 | 192 (7-9/16") | 100 | 6 |
| ZL-2001-256 | | | 262 | 256 (10-1/16") | 125 | 6 |

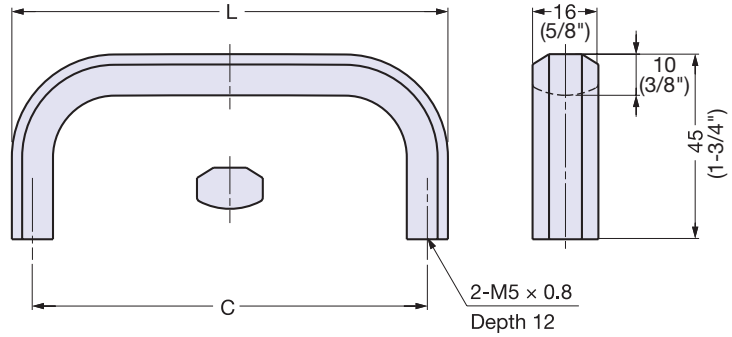
ZweiL Handle



ZL-2002



- Includes 1-3/16" long stainless steel screws (M5 x 30).

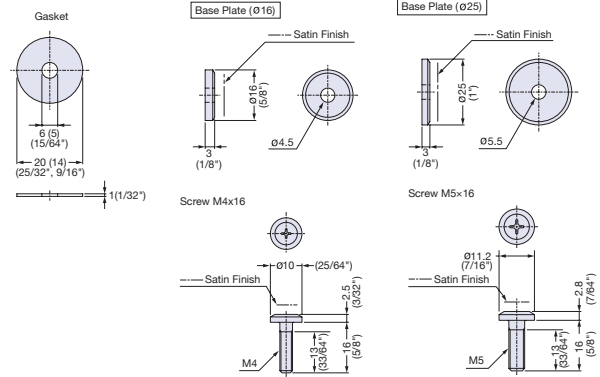


| Item No. | Material | Finish/Color | L | C | Weight (g) | Box (pcs) |
|-------------|---------------------|--------------|-----|-------------------|------------|-----------|
| ZL-2002-96 | 316 Stainless Steel | Zwei L | 106 | 96 (3-25/32") | 165 | 12 |
| ZL-2002-128 | | | 138 | 128 (5-1/32") | 194 | 12 |
| ZL-2002-160 | | | 170 | 160 (6-10/64") | 233 | 12 |
| ZL-2002-192 | | | 202 | 192 (7-9/16") | 265 | 6 |
| ZL-2002-256 | | | 266 | 256 (10-5/64") | 332 | 6 |
| ZL-2002-320 | | | 330 | 320 (12-19/32") | 395 | 6 |

ZweiL Handle Base



ZL-2301



Plate/Screw Set for Handle (M4)

| Item No. | Part Name | Material | Finish/Color |
|--------------|------------------|---------------------|--------------|
| ZL-2301-2016 | Screw (M4 x 16) | Stainless Steel | Zwei L |
| | Base Plate (ø16) | 316 Stainless Steel | Zwei L |
| | Gasket (ø14) | Elastmoer | Plain |

*2 each of screws, base plates, and 4 gaskets included

Plate/Screw Set for Handle (M4)

| Item No. | Part Name | Material | Finish/Color |
|--------------|------------------|---------------------|--------------|
| ZL-2301-2025 | Screw (M5 x 16) | Stainless Steel | Zwei L |
| | Base Plate (ø25) | 316 Stainless Steel | Zwei L |
| | Gasket (ø14) | Elastomer | Plain |
| | Gasket (ø20) | Elastomer | Plain |

*2 pieces each included

Plate/Screw Set for Handle (ø16)

| Item No. | Part Name | Material | Finish/Color |
|--------------|------------------|---------------------|--------------|
| ZL-2302-1916 | Screw (M4 x 16) | Stainless Steel | Zwei L |
| | Base Plate (ø16) | 316 Stainless Steel | Zwei L |
| | Gasket (ø14) | Elastomer | Plain |

*2 pieces each included

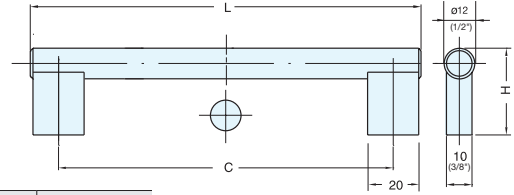
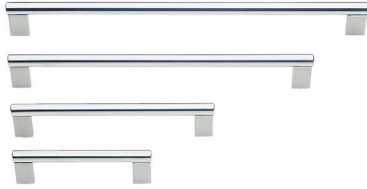
Plate/Screw Set for Handle (ø25)

| Item No. | Part Name | Material | Finish/Color |
|--------------|------------------|---------------------|--------------|
| ZL-2302-1925 | Screw (M4 x 16) | Stainless Steel | Zwei L |
| | Base Plate (ø25) | 316 Stainless Steel | Zwei L |
| | Gasket (ø14) | Elastomer | Plain |
| | Gasket (ø20) | Elastomer | Plain |

HANDLE



16 SERIES



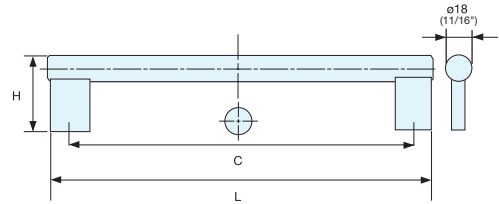
| Item No. | L | C | H | Weight (g) | Box (pcs) | Carton (pcs) |
|----------|-----|-------------------|---------------|------------|-----------|--------------|
| 1646 | 118 | 96 (3-25/32") | 34 (1-11/32") | 62 | 25 | 250 |
| 1647 | 150 | 128 (5-1/32") | | 70 | | |
| 1648 | 182 | 160 (6-5/16") | | 85 | | |
| 1650 | 214 | 192 (7-9/16") | | 94 | | |
| 1651 | 314 | 292 (11-7/16") | | 121 | | |
| 1652 | 342 | 320 (12-9/16") | | 128 | | |
| 1653 | 364 | 342 (13-15/31") | | 134 | | |
| 1654 | 414 | 392 (15-7/16") | | 148 | | |
| 1655 | 514 | 492 (19-3/8") | | 175 | | |
| 1656 | 614 | 592 (23-5/16") | | 202 | | |

| Material | Finish |
|---------------------|--------|
| 304 Stainless Steel | Satin |

HANDLE



27 SERIES



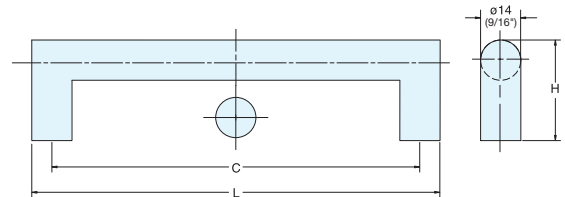
| Item No. | L | C | H | Weight (g) | Box (pcs) | Carton (pcs) |
|----------|-----|-------------------|---------------|------------|-----------|--------------|
| 27096 | 128 | 96 (3-25/32") | 44 (1-47/64") | 140 | 15 | 150 |
| 27128 | 160 | 128 (5-1/32") | | 152 | | |
| 27160 | 192 | 160 (6-5/16") | | 170 | | |
| 27192 | 224 | 192 (7-9/16") | | 183 | | |
| 27292 | 324 | 292 (11-7/16") | | 225 | | |
| 27320 | 352 | 320 (12-9/16") | | 237 | | |
| 27342 | 374 | 342 (13-15/32") | | 245 | | |
| 27392 | 424 | 392 (15-7/16") | | 267 | | |
| 27492 | 524 | 492 (19-3/8") | | 309 | | |
| 27592 | 624 | 592 (23-5/16") | | 351 | | |

| Material | Finish |
|---------------------|--------|
| 304 Stainless Steel | Satin |

HANDLE



DIH



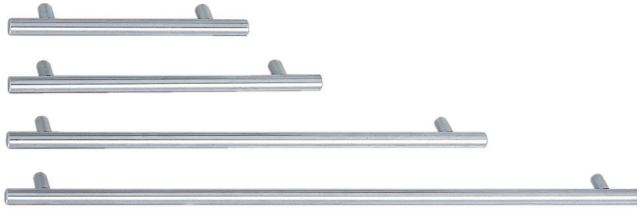
| Item No. | L | C | H | Weight (g) | Box (pcs) | Carton (pcs) |
|----------|-----|-------------------|-------------|------------|-----------|--------------|
| DIH-096 | 110 | 96 (3-25/32") | 35 (1-3/8") | 57 | 25 | 250 |
| DIH-128 | 142 | 128 (5-1/32") | | 66 | | |
| DIH-192 | 206 | 192 (7-9/16") | | 83 | | |
| DIH-342 | 356 | 342 (13-15/32") | | 123 | | |
| DIH-492 | 506 | 492 (19-3/8") | | 163 | | |
| DIH-592 | 606 | 592 (23-5/16") | | 189 | | |

| Material | Finish |
|---------------------|--------|
| 304 Stainless Steel | Satin |

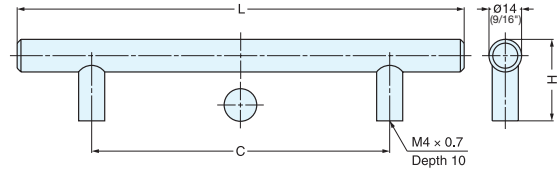
HANDLE



26 SERIES



• Models 2658 and 2659 have a center post.



| Item No. | L | C | H | Weight (g) | Box (pcs) | Carton (pcs) |
|----------|------|--------------------|-------------|------------|-----------|--------------|
| 2646 | 160 | 96 (3-25/32") | 35 (1-3/8") | 107 | 25 | 250 |
| 2647 | 192 | 128 (5-1/32") | | 113 | | |
| 2650 | 256 | 192 (7-9/16") | | 136 | | |
| 2653 | 406 | 342 (13-15/32") | | 187 | | |
| 2655 | 556 | 492 (19-3/8") | | 216 | | |
| 2656 | 656 | 592 (23-5/16") | | 324 | | |
| 2658 | 1220 | 1156 (45-1/2") | | 547 | | |
| 2659 | 1456 | 1392 (54-13/16") | | 570 | | |

| Material | Finish |
|---------------------|--------|
| 304 Stainless Steel | Satin |

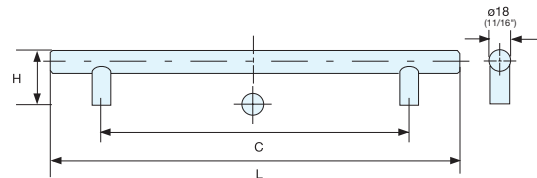
HANDLE



28 SERIES



• Models 281192 and 281392 have a center post.



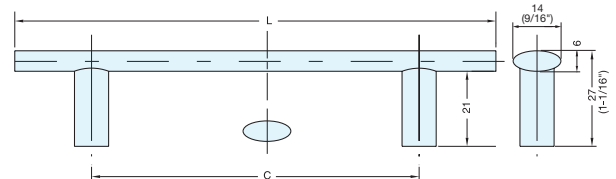
| Item No. | L | C | H | Weight (g) | Box (pcs) | Carton (pcs) |
|----------|------|--------------------|---------------|------------|-----------|--------------|
| 28096 | 160 | 96 (3-25/32") | 47 (1-27/32") | 155 | 15 | 150 |
| 28128 | 192 | 128 (5-1/32") | | 166 | | |
| 28192 | 256 | 192 (7-9/16") | | 190 | | |
| 28342 | 406 | 342 (13-15/32") | | 350 | | |
| 28492 | 556 | 492 (19-3/8") | | 322 | | |
| 28592 | 656 | 592 (23-5/16") | | 381 | | |
| 281192 | 1256 | 1192 (46-59/64") | | 627 | | |
| 281392 | 1456 | 1392 (54-51/64") | | 714 | | |

| Material | Finish |
|---------------------|--------|
| 304 Stainless Steel | Satin |

HANDLE



70 SERIES



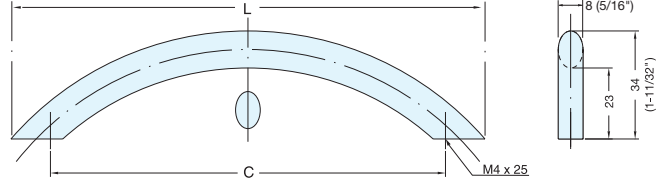
| Item No. | L | C | Weight (g) | Box (pcs) | Carton (pcs) |
|----------|-----|-------------------|------------|-----------|--------------|
| 7013 | 160 | 96 (3-25/32") | 121 | 25 | 250 |
| 7014 | 192 | 128 (5-1/32") | 139 | | |
| 7015 | 224 | 160 (6-19/64") | 157 | | |
| 7016 | 256 | 192 (7-9/16") | 174 | | |
| 7017 | 288 | 224 (8-13/16") | 192 | | |
| 7018 | 320 | 256 (10-5/64") | 210 | | |
| 7020 | 384 | 320 (12-19/32") | 246 | | |

| Material | Finish |
|---------------------|--------|
| 304 Stainless Steel | Satin |

HANDLE



30 SERIES



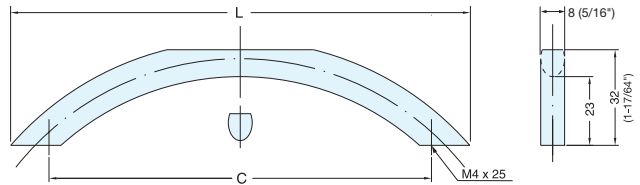
| Item No. | L | C | Weight (g) | Box (pcs) | Carton (pcs) |
|----------|-----|------------------|------------|-----------|--------------|
| 3096 | 118 | 96 (3-25/32") | 72 | 25 | 250 |
| 3097 | 151 | 128 (5-1/32") | 90 | | |
| 3098 | 189 | 160 (6-19/64") | 108 | | |
| 3099 | 224 | 192 (7-9/16") | 128 | | |

| Material | Finish |
|---------------------|--------|
| 304 Stainless Steel | Satin |

HANDLE



50 SERIES



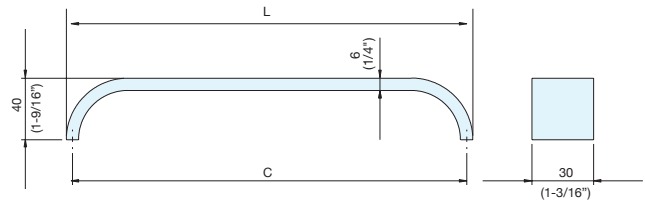
| Item No. | L | C | Weight (g) | Box (pcs) | Carton (pcs) |
|----------|-----|------------------|------------|-----------|--------------|
| 5010 | 118 | 96 (3-25/32") | 69 | 25 | 250 |
| 5011 | 151 | 128 (5-1/32") | 86 | | |
| 5012 | 189 | 160 (6-19/64") | 103 | | |
| 5013 | 224 | 192 (7-9/16") | 122 | | |

| Material | Finish |
|---------------------|--------|
| 304 Stainless Steel | Satin |

HANDLE



DSI-120



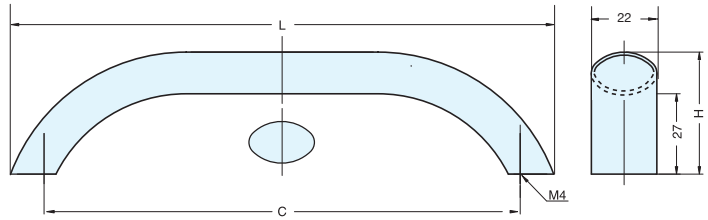
| Item No. | L | C | Weight (g) | Box (pcs) | Carton (pcs) |
|-------------|-----|-------------------|------------|-----------|--------------|
| DSI-120- 96 | 102 | 96 (3-25/32") | 186 | 25 | 250 |
| DSI-120-128 | 134 | 128 (5-1/16") | 248 | | |
| DSI-120-160 | 166 | 160 (6-5/16") | 275 | 10 | 100 |
| DSI-120-192 | 196 | 192 (7-9/16") | 375 | | |
| DSI-120-320 | 326 | 320 (12-19/32") | 620 | | |
| DSI-120-512 | 518 | 512 (20-5/32") | 992 | | |

| Material | Finish |
|---------------------|--------|
| 304 Stainless Steel | Satin |

HANDLE



82 SERIES



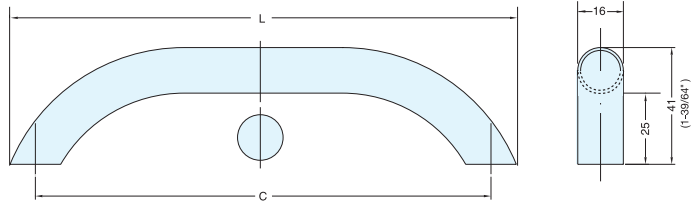
| Item No. | L | C | H | Weight (g) | Box (pcs) | Carton (pcs) |
|----------|-----|------------------|---------------|------------|-----------|--------------|
| 8261 | 182 | 160 (6-19/64") | 41 (1-39/64") | 166 | 25 | 250 |
| 8262 | 214 | 192 (7-9/16") | | 179 | | |
| 8263 | 246 | 224 (8-13/16") | | 192 | | |
| 8264 | 342 | 320 (12-19/32") | | 231 | | |

| Material | Finish |
|---------------------|--------|
| 304 Stainless Steel | Satin |
| Aluminum | Satin |

HANDLE



90 SERIES



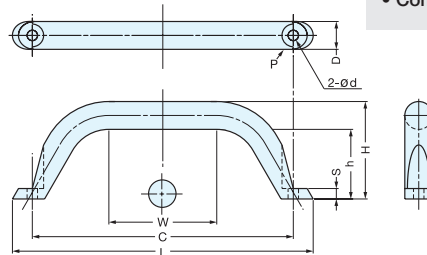
| Item No. | L | C | Weight (g) | Box (pcs) | Carton (pcs) |
|----------|-----|------------------|------------|-----------|--------------|
| 9020 | 178 | 160 (6-19/64") | 136 | 25 | 250 |
| 9021 | 210 | 192 (7-9/16") | 144 | | |

| Material | Finish |
|---------------------|--------|
| 304 Stainless Steel | Satin |

HANDLE



MG



- Ideal for harsh and high corrosive environments.
- Compliant with SEMI S8-0701 guideline.

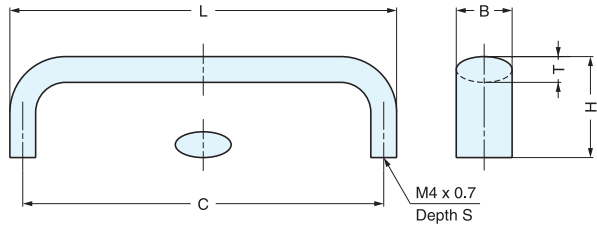
| Material | Finish |
|---------------------|--------|
| 316 Stainless Steel | Mirror |

| Item No. | D | C | L | P | W | H | h | S | ød | Weight (g) | Box (pcs) | Carton (pcs) | Recommended Screw |
|----------|----|------------------|-------|------|-----|-----------------|-----|----|----|------------|-----------|--------------|-------------------|
| MG-150 | 16 | 150 (5-29/32") | 172.8 | R6.5 | 62 | 56 (2-13/64") | 40 | 6 | 6 | 295 | 10 | 40 | M5 |
| MG-190 | 18 | 190 (7-31/64") | 216.7 | R7.5 | 92 | 63 (2-31/64") | 45 | 8 | 7 | 460 | 5 | 25 | M6 |
| MG-250 | | 250 (9-27/32") | 275.5 | | 145 | 68 (2-43/64") | 595 | | | | | | |
| MG-230T | 20 | 230 (9-1/16") | 260 | R9 | 129 | 70 (2-3/4") | 50 | 10 | 9 | 666 | 20 | M8 | |
| MG-300T | | 300 (11-13/16") | 330 | | 199 | | | | | 838 | | | |

HANDLE



DL



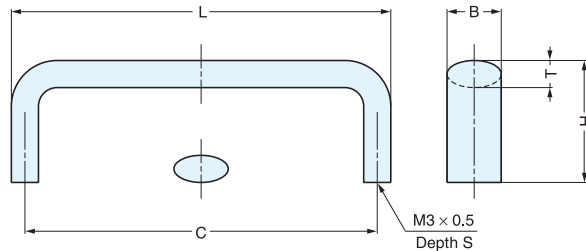
| Material | Finish |
|---------------------|-------------------------|
| 303 Stainless Steel | Mirror (M) Satin (S) |

| Item No. | L | C | H | B | T | S | Weight (g) | Box (pcs) | Carton (pcs) |
|-------------------|-----|----------------|---------------|----|---|----|------------|-----------|--------------|
| DL- 70/M DL- 70/S | 70 | 64 (2-33/64") | 23 (29/32") | 13 | 6 | 10 | 44 | 20 | 200 |
| DL- 90/M DL- 90/S | 90 | 84 (3-5/16") | 23.5 (59/64") | | | | 55 | | |
| DL-110/M DL-110/S | 110 | 104 (4-3/32") | 24 (61/64") | | | | 65 | | |
| DL-130/M DL-130/S | 130 | 124 (4-7/8") | 24.5 (31/32") | | | | 75 | | |
| DL-150/M DL-150/S | 150 | 144 (5-43/64") | 25 (63/64") | | | | 86 | | |

HANDLE



DS



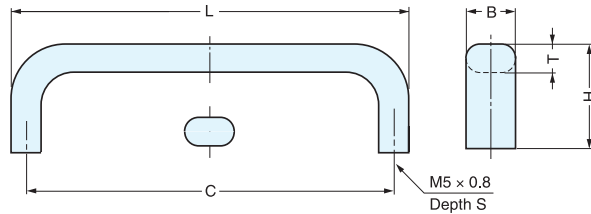
| Material | Finish |
|---------------------|-------------------------|
| 303 Stainless Steel | Mirror (M) Satin (S) |

| Item No. | L | C | H | B | T | S | Weight (g) | Box (pcs) | Carton (pcs) |
|-----------------|----|---------------|---------------|----|---|----|------------|-----------|--------------|
| DS-30/M DS-30/S | 30 | 25 (63/64") | 23 (29/32") | 10 | 5 | 8 | 15 | 40 | 400 |
| DS-50/M DS-50/S | 50 | 45 (1-25/32") | 22 (7/8") | | | 22 | | | |
| DS-70/M DS-70/S | 70 | 65 (2-9/16") | 22.5 (57/64") | | | 28 | | | |
| DS-90/M DS-90/S | 90 | 85 (3-11/32") | 23 (29/32") | | | 35 | | | |

HANDLE



EC



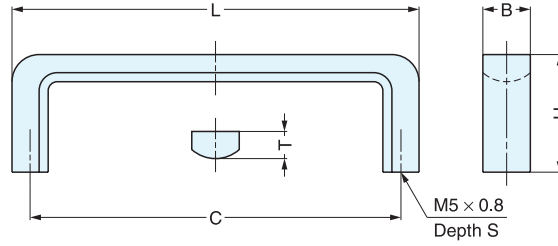
| Material | Finish |
|---------------------|-------------------------|
| 303 Stainless Steel | Mirror (M) Satin (S) |

| Item No. | L | C | H | B | T | S | Weight (g) | Box (pcs) | Carton (pcs) |
|-------------------|-----|----------------|---------------|----|---|-----|------------|-----------|--------------|
| EC-100/M EC-100/S | 100 | 92 (3-5/8") | 32 (1-17/64") | 14 | 8 | 10 | 102 | 15 | 150 |
| EC-120/M EC-120/S | 120 | 112 (4-13/32") | 34 (1-11/32") | | | 120 | | | |
| EC-150/M EC-150/S | 150 | 142 (5-19/32") | 36 (1-27/64") | | | 148 | | | |
| EC-180/M EC-180/S | 180 | 172 (6-25/32") | 37 (1-29/64") | | | 174 | | | |

HANDLE



FB



FB-110 only is RoHS compliant.

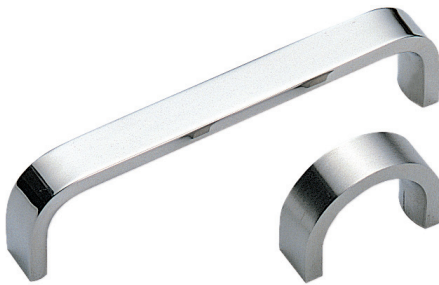
| Material | Finish |
|---------------------|--------|
| 304 Stainless Steel | Mirror |

| Item No. | L | C | H | B | T | S | Weight (g) | Box (pcs) | Carton (pcs) |
|----------|-----|------------------|-----------------|------|---|----|------------|-----------|--------------|
| FB- 90 | 90 | 82 (3-7/32") | 26 (1-1/32") | 10.5 | 6 | 10 | 45 | 35 | 280 |
| FB-110 | 110 | 102 (4-1/64") | 28 (1-7/64") | 12.5 | 7 | 12 | 60 | 25 | 200 |
| FB-130 | 130 | 120 (4-23/32") | 32 (1-17/64") | 14.5 | 8 | 14 | 93 | 20 | 160 |

HANDLE

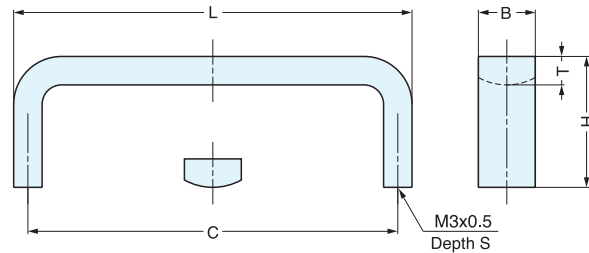


KB



KB-90/M

KB-30/S



| Material | Finish |
|---------------------|-------------------------|
| 303 Stainless Steel | Mirror (M) Satin (S) |

| Item No. | L | C | H | B | T | S | Weight (g) | Box (pcs) | Carton (pcs) | |
|----------|---------|----|-----------------|-----------------|----|---|------------|-----------|--------------|-----|
| KB-30/M | KB-30/S | 30 | 25 (63/64") | 23 (29/32") | 10 | 5 | 8 | 18 | 40 | 400 |
| KB-50/M | KB-50/S | 50 | 45 (1-25/32") | 22 (7/8") | | | 10 | 26 | 30 | 300 |
| KB-70/M | KB-70/S | 70 | 65 (2-9/16") | 22.5 (57/64") | | | 10 | 33 | 20 | 200 |
| KB-90/M | KB-90/S | 90 | 85 (3-11/32") | 23 (29/32") | | | 10 | 40 | 20 | 200 |

HANDLE

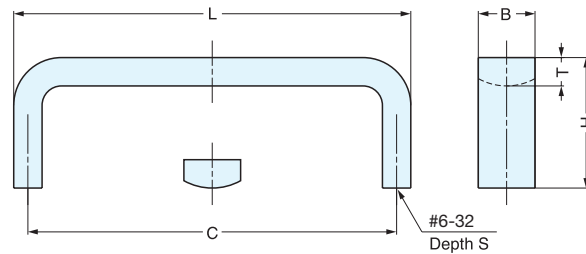


KS



Satin

Mirror



| Material | Finish |
|---------------------|-------------------------|
| 304 Stainless Steel | Mirror (M) Satin (S) |

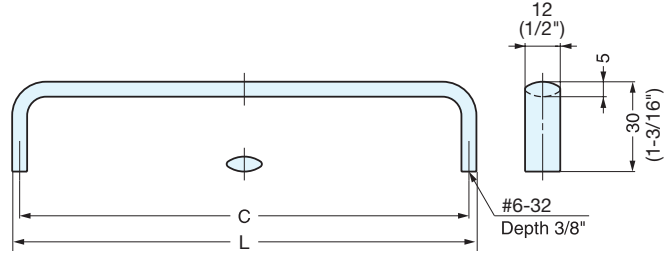
| Item No. | L | C | H | B | T | S | Weight (g) | Box (pcs) | Carton (pcs) |
|----------|----------|-----|---------------|---------------|----|---|------------|-----------|--------------|
| KS-430/M | KS-430/S | 81 | 76 (3") | 23 (29/32") | 10 | 5 | 45 | 20 | 200 |
| KS-435/M | KS-435/S | 94 | 89 (3-1/2") | | | | 48 | | |
| KS-440/M | KS-440/S | 106 | 102 (4") | | | | 54 | | |

HANDLE



KC-S

• Ideal for harsh and high corrosive environments.



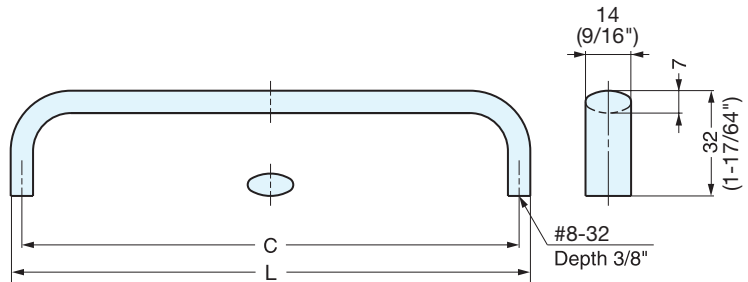
| Item No. | | L | C | Weight (g) | Box (pcs) | Carton (pcs) | Material | Finish |
|-----------|-----------|------------------|---------------|------------|-----------|--------------|---------------------|------------|
| KC-S635/M | KC-S635/S | 93.9 (3-11/16") | 88.9 (3-1/2") | 67 | 20 | 200 | 316 Stainless Steel | Mirror (M) |
| KC-S640/M | KC-S640/S | 106.6 (4- 3/16") | 101.6 (4") | 71 | | | | Satin (S) |
| KC-S650/M | KC-S650/S | 132 (5- 3/16") | 127 (5") | 85 | | | | |
| KC-S660/M | KC-S660/S | 157.4 (6- 3/16") | 152.4 (6") | 95 | | | | |

HANDLE



EK-S

• Ideal for harsh and high corrosive environments.

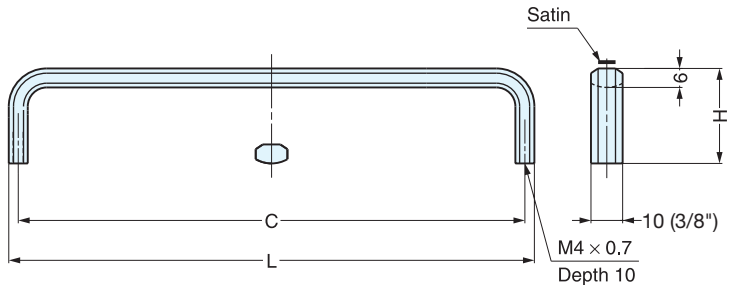
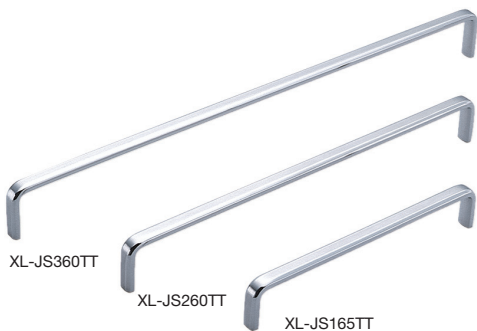


| Item No. | | L | C | Weight (g) | Box (pcs) | Carton (pcs) | Material | Finish |
|-----------|-----------|------------------|---------------|------------|-----------|--------------|---------------------|------------|
| EK-S635/M | EK-S635/S | 95.9 (3-25/32") | 88.9 (3-1/2") | 106 | 20 | 200 | 316 Stainless Steel | Mirror (M) |
| EK-S640/M | EK-S640/S | 108.6 (4- 9/32") | 101.6 (4") | 116 | | | | Satin (S) |
| EK-S650/M | EK-S650/S | 134 (5- 9/32") | 127 (5") | 134 | | | | |
| EK-S660/M | EK-S660/S | 159.4 (6- 9/32") | 152.4 (6") | 152 | | | | |

HANDLE



XL-JS



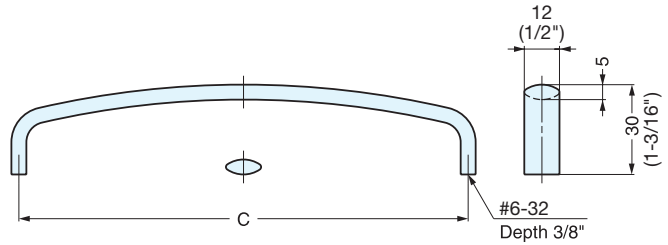
| Item No. | L | C | H | Weight (g) | Box (pcs) | Carton (pcs) | Material | Finish |
|------------|-----|-------------------|-----------------|------------|-----------|--------------|---------------------|------------------------------|
| XL-JS165TT | 166 | 160 (6-19/64") | 30 (1-3/16") | 81 | 15 | 150 | 316 Stainless Steel | Mirror and Satin Combination |
| XL-JS260TT | 260 | 254 (10") | 33 (1-19/64") | 122 | 10 | 100 | | |
| XL-JS360TT | 358 | 352 (13-55/64") | 36 (1-27/64") | 166 | | | | |

HANDLE



KC-R

• Ideal for harsh and high corrosive environments.

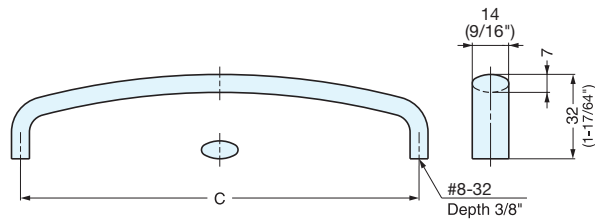
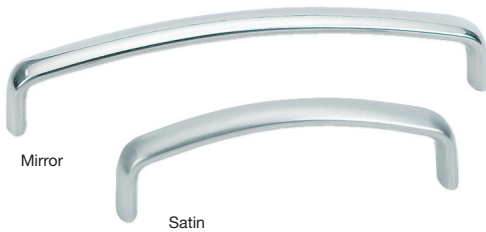


| Item No. | C | Weight (g) | Box (pcs) | Carton (pcs) | Material | Finish |
|---------------------|---------------|------------|-----------|--------------|---------------------|------------|
| KC-R635/M KC-R635/S | 88.9 (3-1/2") | 60 | 20 | 200 | 316 Stainless Steel | Mirror (M) |
| KC-R640/M KC-R640/S | 101.6 (4") | 67 | | | | Satin (S) |
| KC-R650/M KC-R650/S | 127 (5") | 78 | | | | |
| KC-R660/M KC-R660/S | 152.4 (6") | 88 | | | | |

HANDLE



EK-R

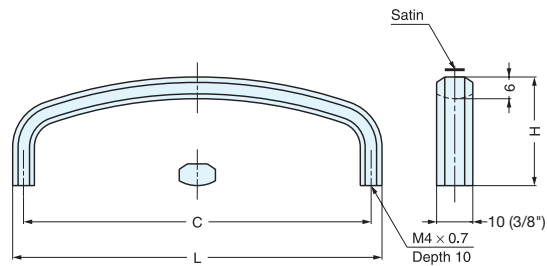
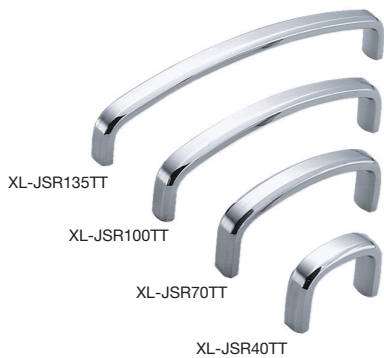


| Item No. | C | Weight (g) | Box (pcs) | Carton (pcs) | Material | Finish |
|---------------------|-----------------|------------|-----------|--------------|---------------------|------------|
| EK-R635/M EK-R635/S | 88.9 (3-1/2") | 95 | 20 | 200 | 316 Stainless Steel | Mirror (M) |
| EK-R640/M EK-R640/S | 101.6 (4") | 106 | | | | Satin (S) |
| EK-R650/M EK-R650/S | 127 (5") | 123 | | | | |
| EK-R660/M EK-R660/S | 152.4 (6") | 141 | | | | |

HANDLE



XL-JSR

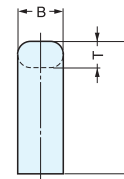
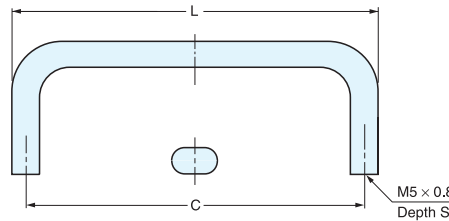


| Item No. | L | C | H | Weight (g) | Box (pcs) | Carton (pcs) | Material | Finish |
|-------------|-----|-----------------|----------------|------------|-----------|--------------|---------------------|------------------------------|
| XL-JSR 40TT | 38 | 32 (1-17/64") | 27 (1-1/16") | 26 | 30 | 300 | 316 Stainless Steel | Mirror and Satin Combination |
| XL-JSR 70TT | 70 | 64 (2-33/64") | 30 (1-3/16") | 35 | 20 | 200 | | |
| XL-JSR100TT | 102 | 96 (3-25/32") | | 51 | 15 | 150 | | |
| XL-JSR135TT | 134 | 128 (5-1/32") | | 63 | 15 | 150 | | |

HANDLE



ECH



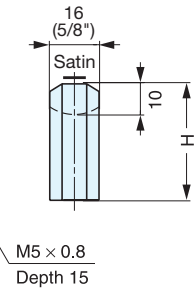
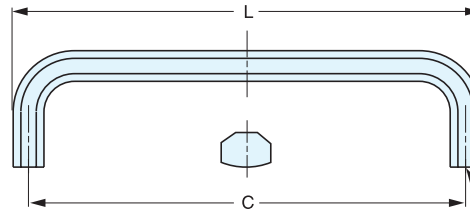
| Material | Finish |
|---------------------|-------------------------|
| 303 Stainless Steel | Mirror (M) Satin (S) |

| Item No. | L | C | H | B | T | S | Weight (g) | Box (pcs) | Carton (pcs) | |
|-----------|-----------|-----|-------------------|-----------------|----|---|------------|-----------|--------------|-----|
| ECH- 75/M | ECH- 75/S | 83 | 75 (2-61/64") | 40 (1-37/64") | 14 | 8 | 11 | 115 | 10 | 100 |
| ECH-100/M | ECH-100/S | 108 | 100 (3-15/16") | | | | | 135 | 15 | 150 |
| ECH-125/M | ECH-125/S | 133 | 125 (4-59/64") | | | | | 153 | 10 | 100 |
| ECH-150/M | | 158 | 150 (5-29/32") | 50 (1-31/32") | 14 | 8 | 11 | 190 | 7 | 70 |
| ECH-200/M | | 208 | 200 (7-7/8") | | | | | 244 | 10 | 100 |
| ECH-250/M | | 258 | 250 (9-27/32") | | | | | 280 | 5 | 50 |
| ECH-300/M | | 308 | 300 (11-13/16") | | | | | 306 | | |

HANDLE



XL-CU



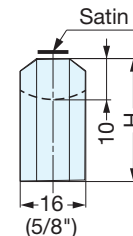
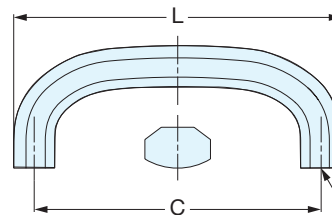
| Item No. | L | C | H | Weight (g) | Box (pcs) | Carton (pcs) |
|------------|-----|------------------|-----------------|------------|-----------|--------------|
| XL-CU 80TT | 82 | 72 (2-27/32") | 32 (1-17/64") | 112 | 10 | 100 |
| XL-CU100TT | 102 | 92 (3-5/8") | 34 (1-11/32") | 136 | | |
| XL-CU120TT | 122 | 112 (4-13/32") | 36 (1-27/64") | 163 | | |
| XL-CU150TT | 152 | 142 (5-19/32") | 38 (1-1/2") | 200 | 8 | 80 |
| XL-CU180TT | 182 | 172 (6-25/32") | 40 (1-37/64") | 234 | | |
| XL-CU220TT | 222 | 212 (8-11/32") | 42 (1-42/64") | 282 | 6 | 30 |
| XL-CU300TT | 302 | 292 (11-1/2") | 44 (1-47/64") | 372 | | |

| Material | Finish |
|---------------------|------------------------------|
| 303 Stainless Steel | Mirror and Satin Combination |

HANDLE



XL-CUR



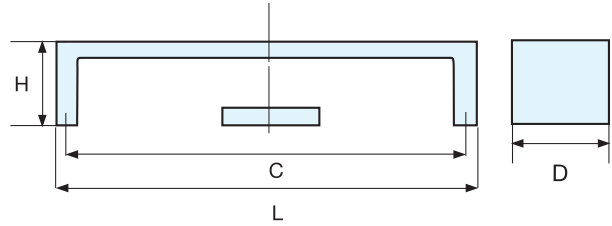
| Item No. | L | C | H | Weight (g) | Box (pcs) | Carton (pcs) |
|-------------|-----|------------------|-----------------|------------|-----------|--------------|
| XL-CUR 80TT | 80 | 70 (2-3/4") | 30 (1-3/16") | 101 | 10 | 150 |
| XL-CUR100TT | 100 | 90 (3-35/64") | 32 (1-17/32") | 125 | | 100 |
| XL-CUR120TT | 120 | 110 (4-21/64") | 34 (1-11/32") | 150 | | 75 |
| XL-CUR150TT | 150 | 140 (5-33/64") | 36 (1-27/64") | 183 | 5 | 75 |

| Material | Finish |
|---------------------|------------------------------|
| 303 Stainless Steel | Mirror and Satin Combination |

HANDLE



40 SERIES



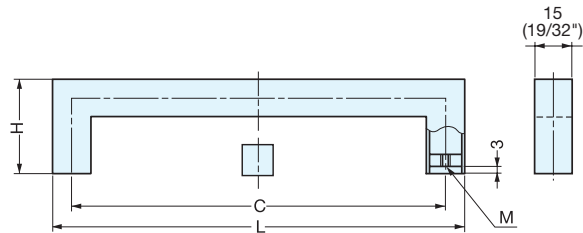
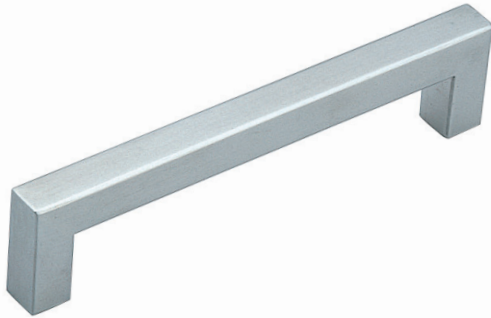
| Item No. | L | C | H | D | Weight (g) | Box (pcs) | Carton (pcs) |
|----------|------------------|-----|----|---------------|------------|-----------|--------------|
| 40128 | 138 (5-7/16") | 128 | 35 | 40 (1-37/64") | 166 | 10 | 40 |
| 40160 | 170 (6-11/16") | 160 | | | 198 | | |
| 40192 | 202 (7-61/64") | 192 | | | 219 | | |

| Material | Finish |
|---------------------|--------|
| 304 Stainless Steel | Satin |

HANDLE



KPH



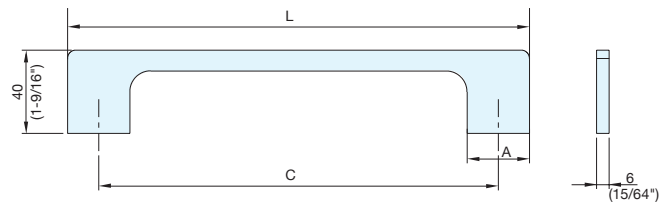
| Item No. | L | C | H | M | Weight (g) | Box (pcs) | Carton (pcs) |
|----------|-----|-------------------|-----------------|----------|------------|-----------|--------------|
| KPH-160 | 176 | 160 (6-19/64") | 40 (1-37/64") | M4 x 0.7 | 100 | 10 | 100 |
| KPH-192 | 208 | 192 (7-9/16") | | | 115 | | |
| KPH-224 | 240 | 224 (8-13/16") | | | 130 | | |
| KPH-256 | 272 | 256 (10-5/64") | 50 (1-31/32") | M5 x 0.8 | 143 | | |
| KPH-288 | 304 | 288 (11-11/32") | | | 160 | | |

| Material | Finish |
|---------------------|--------|
| 304 Stainless Steel | Satin |

HANDLE

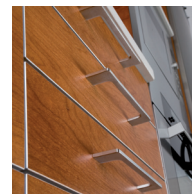


DSI-110



| Item No. | C | L | A | Weight (g) | Box (pcs) | Carton (pcs) |
|-------------|-------------------|-------------------|--------------|------------|-----------|--------------|
| DSI-110-96 | 96 (3-25/32") | 126 (4-15/16") | 30 (1-3/16") | 135 | 25 | 250 |
| DSI-110-128 | 128 (5-1/16") | 158 (6-3/16") | | 152 | | |
| DSI-110-160 | 160 (6-5/16") | 190 (7-1/2") | | 190 | | |
| DSI-110-192 | 192 (7-9/16") | 222 (8-3/4") | | 230 | 10 | 100 |
| DSI-110-320 | 320 (12-19/32") | 350 (13-13/16") | | 380 | | |
| DSI-110-512 | 512 (20-5/32") | 542 (21-5/16") | | 610 | | |

| Material | Finish |
|---------------------|--------|
| 304 Stainless Steel | Satin |

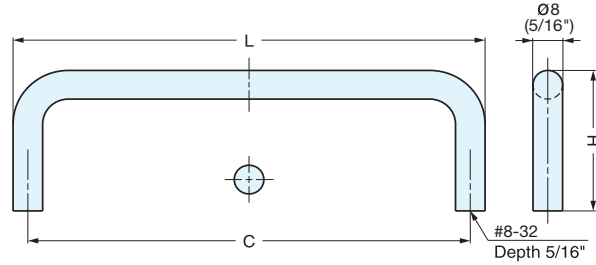


WIRE PULL



SWP

• Ideal for harsh and high corrosive environments.



| Item No. | L | C | H | Weight (g) | Box (pcs) | Carton (pcs) |
|-----------|-------|-----------------|------------------|------------|-----------|--------------|
| SWP-630/S | 84.2 | 76.2 (3") | 34 (1-11/32") | 71 | 20 | 200 |
| SWP-635/S | 96.9 | 88.9 (3-1/2") | | 78 | | |
| SWP-640/S | 109.6 | 101.6 (4") | | 85 | | |
| SWP-696/S | 104 | 96 (3-25/32") | | 91 | | |

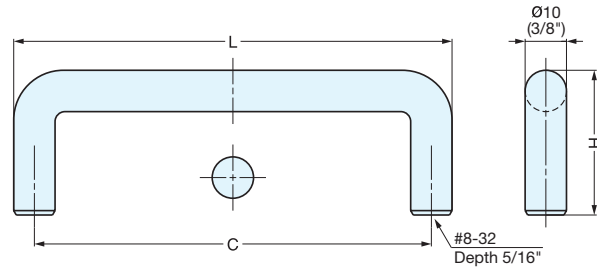
| Material | Finish |
|---------------------|--------|
| 316 Stainless Steel | Satin |

WIRE PULL



SWF

• Ideal for harsh and high corrosive environments.



| Item No. | L | C | H | Weight (g) | Box (pcs) | Carton (pcs) |
|----------|-------|--------------|----------------|------------|-----------|--------------|
| SWF- 640 | 111 | 101.5 (4") | 35 (1-3/8") | 90 | 20 | 200 |
| SWF- 650 | 136.5 | 127 (5") | | 110 | | |
| SWF- 660 | 162 | 152.5 (6") | | 130 | | |
| SWF- 690 | 238 | 228.5 (9") | | 200 | | |
| SWF-6120 | 314.5 | 305 (12") | | 270 | | |

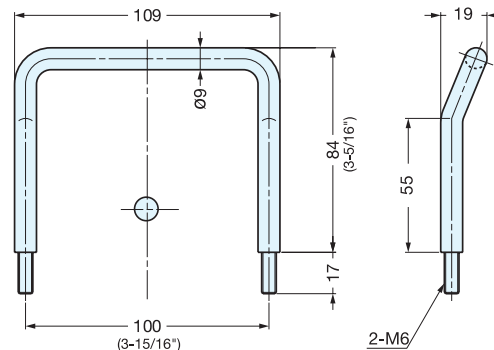
| Material | Finish |
|---------------------|--------|
| 316 Stainless Steel | Satin |

OFFSET WIRE PULL



H-75-BL-100

• Fastening nut not included.



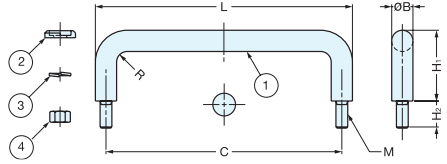
| Item No. | Weight (g) | Box (pcs) | Carton (pcs) |
|-------------|------------|-----------|--------------|
| H-75-BL-100 | 130 | 80 | 400 |

| Material | Finish |
|---------------------|--------|
| 304 Stainless Steel | Mirror |

WIRE PULL



H-42-B



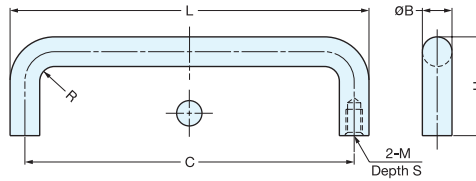
| No. | Part Name | Material | Finish |
|-----|---------------|---------------------|----------|
| ① | Handle | 304 Stainless Steel | Mirror |
| ② | Washer | | Polished |
| ③ | Spring Washer | | Plain |
| ④ | Nut | | |

| Item No. | L | H ₁ | H ₂ | B | C | R | M | Weight (g) | Box (pcs) | Carton (pcs) |
|-----------|-----|-----------------|-----------------|----|-------------------|-----|-----------|------------|-----------|--------------|
| H-42-B- 9 | 46 | 22 (55/46") | 8.5 | 6 | 40 (1-37/64") | - | M4 × 0.7 | 15 | 50 | 500 |
| H-42-B- 8 | 66 | | 7 | | 60 (2-23/64") | 3 | | 20 | | |
| H-42-B-14 | 86 | 30 (1-3/16") | 10 | 7 | 80 (3-5/32") | 3.5 | M5 × 0.8 | 27 | 50 | 250 |
| H-42-B- 1 | 75 | | 68 (2-43/64") | | 40 | | | | | |
| H-42-B- 2 | 109 | 40 (1-37/64") | 11 | 9 | 100 (3-15/16") | 4.5 | M6 × 1 | 80 | 30 | 60 |
| H-42-B- 3 | 120 | | | | 110 (4-21/64") | | | 120 | | |
| H-42-B- 4 | 130 | 50 (1-31/32") | 20 | 10 | 120 (4-23/32") | 5 | M8 × 1.25 | 125 | 20 | 40 |
| H-42-B-15 | 162 | | | | 150 (5-29/32") | | | 235 | | |
| H-42-B- 5 | 200 | 50 (1-31/32") | 20 | 12 | 188 (7-13/32") | 6 | M8 × 1.25 | 270 | 30 | 60 |
| H-42-B- 6 | 250 | | | | 238 (9-3/8") | | | 320 | | |
| H-42-B- 7 | 300 | | | | 288 (11-11/32") | | | 365 | | |

WIRE PULL



H-42-C



| Material | Finish |
|---------------------|--------|
| 304 Stainless Steel | Mirror |

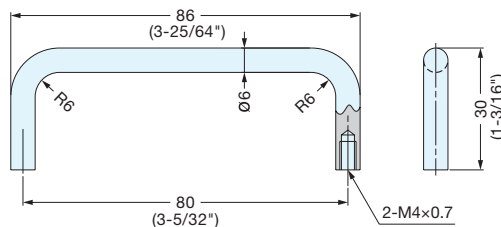
| Item No. | L | H | B | C | S | M | R | Weight (g) | Box (pcs) | Carton (pcs) |
|-----------|-----|-----------------|----|-------------------|----|-----------|-----|------------------|-----------|--------------|
| H-42-C- 8 | 66 | 22 (55/46") | 6 | 60 (2-23/64") | 7 | M4 × 0.7 | 3 | 18 | 100 | 500 |
| H-42-C-14 | 86 | | | 80 (3-5/32") | | | | 25 | | |
| H-42-C- 1 | 75 | 30 (1-3/16") | 7 | 68 (2-4 3/64") | 8 | M5 × 0.8 | 3.5 | 30 | 50 | 250 |
| H-42-C- 2 | 109 | | | 9 | | | | 100 (3-15/16") | | |
| H-42-C- 3 | 120 | 40 (1-37/64") | 10 | 110 (4-21/64") | 5 | M6 × 1 | 5 | 100 | 30 | 60 |
| H-42-C- 4 | 130 | | | 120 (4-23/32") | | | | 105 | | |
| H-42-C-15 | 162 | 50 (1-31/32") | 12 | 150 (5-29/32") | 10 | M8 × 1.25 | 6 | 185 | 20 | 40 |
| H-42-C- 5 | 200 | | | 188 (7-13/32") | | | | 220 | | |
| H-42-C- 6 | 250 | 50 (1-31/32") | 12 | 238 (9-3/8") | 10 | M8 × 1.25 | 6 | 265 | 30 | 60 |
| H-42-C- 7 | 300 | | | 288 (11-11/32") | | | | 300 | | |

WIRE PULL



H-42-F14

• Ideal for high corrosive environments.

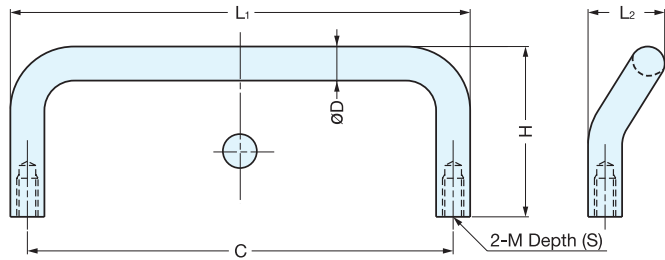
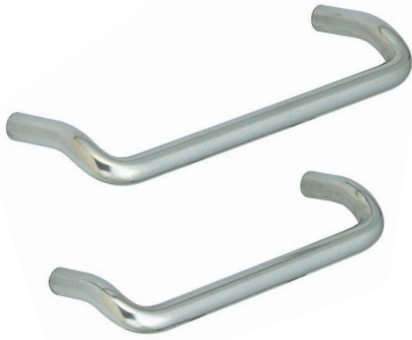


| Item No. | Weight (g) | Box (pcs) | Carton (pcs) | Material | Finish |
|----------|------------|-----------|--------------|---------------------|--------|
| H-42-F14 | 25 | 50 | 250 | 316 Stainless Steel | Mirror |

OFFSET WIRE PULL



H-75-C



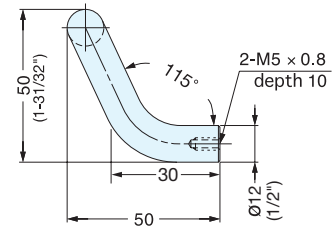
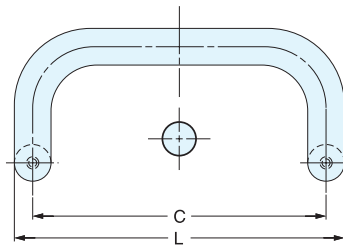
| Material | Finish |
|---------------------|----------|
| 304 Stainless Steel | Polished |

| Item No. | L ₁ | L ₂ | S | H | C | øD | M | Weight (g) | Box (pcs) | Carton (pcs) |
|------------|----------------|----------------|----|-----------------|----------------|----|----|------------|-----------|--------------|
| H-75-C- 66 | 66 | 16 | 7 | 30 (1-3/16") | 60 (2-23/64") | 6 | M4 | 23 | 100 | 400 |
| H-75-C- 86 | 86 | | | 31.5 (1-15/64") | 80 (3-5/32") | | | 28 | | |
| H-75-C-108 | 108 | 18 | 10 | 32 (1-17/64") | 100 (3-15/16") | 8 | M5 | 54 | 50 | 200 |
| H-75-C-128 | 128 | | | 40 (1-37/64") | 120 (4-23/32") | | | 70 | | |

OFFSET WIRE PULL



LF-12



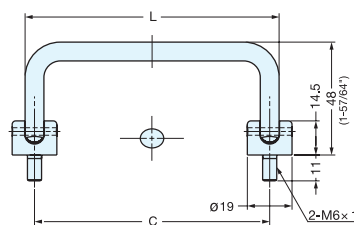
| Item No. | L | C | Weight (g) | Box (pcs) | Carton (pcs) |
|-----------|-----|----------------|------------|-----------|--------------|
| LF-12- 96 | 108 | 96 (3-25/32") | 182 | 10 | 80 |
| LF-12-128 | 140 | 128 (5-3/64") | 211 | | 60 |
| LF-12-160 | 172 | 160 (6-19/64") | 236 | | |

| Material | Finish |
|---------------------|--------|
| 304 Stainless Steel | Satin |

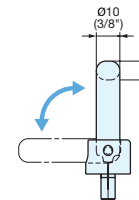
FOLDING HANDLE



HK



- 90-degree folding handle.
- Handle clicks into open and closed position.



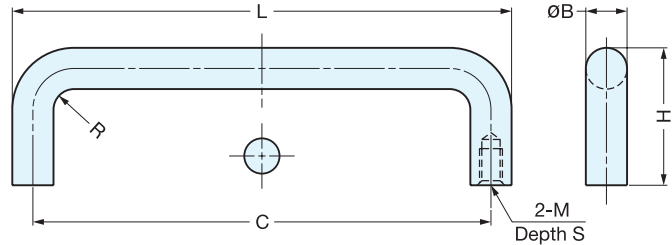
| Item No. | C | L | Load Capacity (kg) | Weight (g) | Box (pcs) | Carton (pcs) |
|----------|----------------|-----|--------------------|------------|-----------|--------------|
| HK- 80 | 80 (3-5/32") | 88 | 50 (110 lbs) | 125 | 10 | 100 |
| HK-100 | 100 (3-15/16") | 108 | | 136 | | |
| HK-120 | 120 (4-23/32") | 128 | | 146 | | |

| Material | Finish |
|---------------------|--------|
| 304 Stainless Steel | Mirror |

WIRE PULL (TITANIUM)



H42-CT



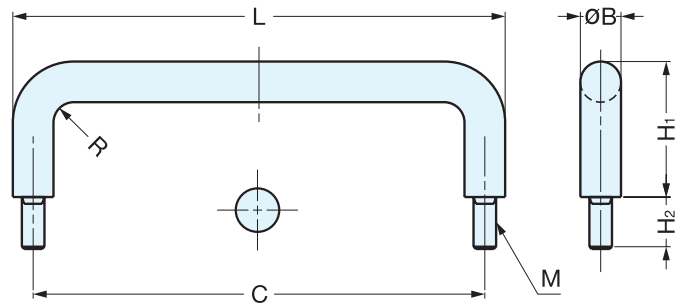
| Item No. | L | H | B | C | S | M | R | Weight (g) | Material | | Finish | |
|-----------|-----|---------------|----|----------------|----|-----------|-----|------------|----------|-----------|----------|--------------|
| | | | | | | | | | Titanium | Titanium | Polished | Polished |
| H42-CT- 2 | 109 | 30 (1- 3/16") | 9 | 100 (3-15/16") | 8 | M5 × 0.8 | 4.5 | 37 | 20 | Box (pcs) | 80 | Carton (pcs) |
| H42-CT- 4 | 130 | 40 (1-37/64") | 10 | 120 (4-23/32") | 8 | M6 × 1 | 5 | 59 | | | | |
| H42-CT-15 | 162 | 50 (1-31/32") | 12 | 150 (5-29/32") | 10 | M8 × 1.25 | 6 | 105 | | | | |

WIRE PULL (TITANIUM)



H42-BT

• Nuts not included.



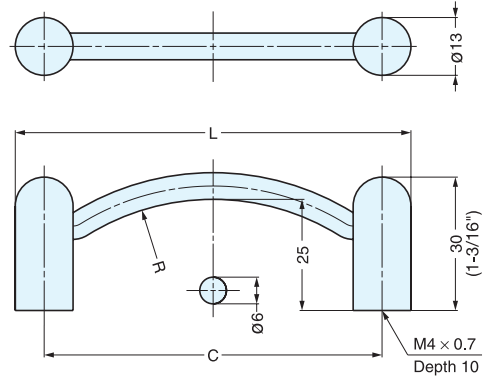
| Item No. | L | H ₁ | H ₂ | B | C | R | M | Weight (g) | Material | | Finish | |
|-----------|-----|----------------|----------------|----|----------------|-----|-----------|------------|----------|-----------|----------|--------------|
| | | | | | | | | | Titanium | Titanium | Polished | Polished |
| H42-BT- 2 | 109 | 30 (1- 3/16") | 11 | 9 | 100 (3-15/16") | 4.5 | M5 × 0.8 | 40 | 20 | Box (pcs) | 80 | Carton (pcs) |
| H42-BT- 4 | 130 | 40 (1-37/64") | 11 | 10 | 120 (4-23/32") | 5 | M6 × 1 | 63 | | | | |
| H42-BT-15 | 162 | 50 (1-31/32") | 20 | 12 | 150 (5-29/32") | 6 | M8 × 1.25 | 122 | | | | |

HANDLE



LX-90/M, LX-110/M

• Satin-nickel plated brass version available on page 56.



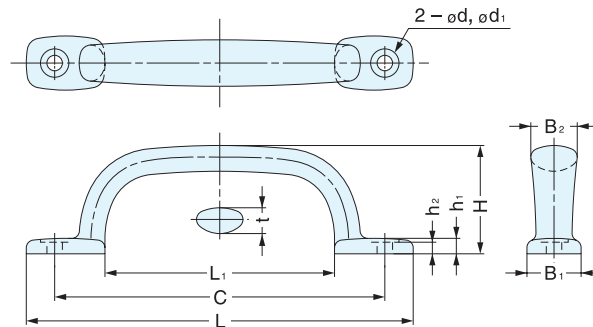
| Item No | L | C | R | Weight (g) | Box (pcs) | Carton (pcs) | Material | Finish |
|----------|-----|-----------------|------|------------|-----------|--------------|---------------------|--------|
| LX- 90/M | 89 | 76 (3") | 53.5 | 69 | 10 | 160 | 304 Stainless Steel | Mirror |
| LX-110/M | 109 | 96 (3-25/32") | 94 | 71 | | | | |

TRANSOM HANDLE



2LC

• Ideal for harsh and high corrosive environments.
• Titanium versions available upon request.



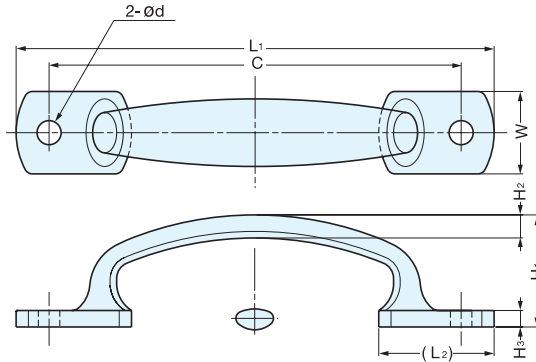
| Material | Finish |
|---------------------|--------|
| 316 Stainless Steel | Mirror |

| Item No. | L | L ₁ | C | B ₁ | B ₂ | H | h ₁ | h ₂ | t | d | d ₁ | Weight (g) | Box (pcs) | Carton (pcs) | Screw |
|----------|-----|----------------|----------------|----------------|----------------|---------------|----------------|----------------|---|----|----------------|------------|-----------|--------------|--------|
| 2LC- 80 | 80 | 32 | 64 (2-33/64") | 16 | 14 | 35 (1-3/8") | 5.5 | 4 | 8 | 5 | 9.5 | 70 | 12 | 144 | 4 × 20 |
| 2LC-120 | 120 | 64 | 96 (3-25/32") | 18 | 16 | 36 (1-27/64") | | 4.5 | 9 | | | 106 | 8 | 96 | |
| 2LC-150 | 150 | 89 | 128 (5-1/32") | 21 | 18 | 42 (1-42/64") | 6 | 10 | 6 | 11 | 172 | 6 | 72 | 5 × 32 | |
| 2LC-180 | 180 | 118 | 160 (6-19/64") | 23 | 20 | 45 (1-49/64") | 6.5 | | | | 5 | 225 | 3 | | 36 |

TRANSOM HANDLE



3LC



HANDLES, PULLS & KNOBS

TRANSOM HANDLES

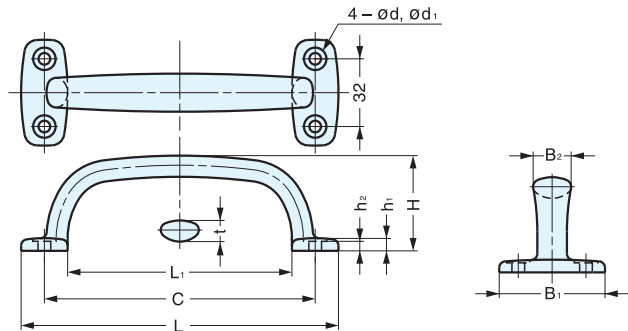
| Item No. | L ₁ | L ₂ | W | H ₁ | H ₂ | H ₃ | C | d | Weight (g) | Box (pcs) | Carton (pcs) | Material | Finish |
|----------|----------------|----------------|----|----------------|----------------|----------------|----------------|-----|------------|-----------|--------------|---------------------|--------|
| 3LC-120 | 120 | 29 | 20 | 30 (1-3/16") | 6 | 5 | 105 (4-9/64") | 5.5 | 90 | 100 | 500 | 316 Stainless Steel | Mirror |
| 3LC-130 | 130 | 30 | 22 | 33 (1-19/64") | 7 | 6 | 115 (4-17/32") | | 120 | | | | |
| 3LC-145 | 145 | 35 | 25 | 34 (1-11/32") | | | 125 (4-59/64") | 6.5 | 155 | 80 | 400 | | |

TRANSOM HANDLE



4LC

• Ideal for harsh and high corrosive environments.



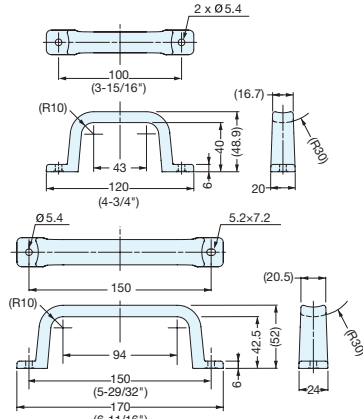
| Material | Finish |
|---------------------|--------|
| 316 Stainless Steel | Mirror |

| Item No. | L | L ₁ | C | B ₁ | B ₂ | H | h ₁ | h ₂ | t | d | d ₁ | Weight (g) | Box (pcs) | Carton (pcs) | Screw |
|----------|-----|----------------|----------------|----------------|----------------|----------------|----------------|----------------|----|---|----------------|------------|-----------|--------------|--------|
| 4LC- 82 | 82 | 46 | 64 (2-33/64") | 48 | 16 | 36.5 (1-7/16") | 5.5 | 4 | 8 | 5 | 9.5 | 110 | 8 | 96 | 4 × 20 |
| 4LC-114 | 114 | 78 | 96 (3-25/32") | | | 40 (1-37/64") | | | | | | | | | |
| 4LC-150 | 150 | 106 | 128 (5-1/32") | 50 | 18 | 45 (1-49/64") | 6 | 4.5 | 10 | 6 | 11 | 210 | 3 | 36 | |
| 4LC-180 | 180 | 140 | 160 (6-19/64") | | | 48 (1-57/64") | | | | | | | | | 6.5 |

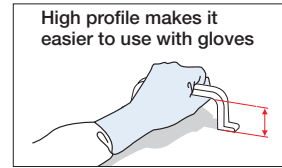
HANDLE



MH-P



- Made with PVC material:
 - Ideal for semiconductor, manufacturing machinery and transparent applications.
 - Weather proof, chemical proof
- High profile allows for handle to be easily grasped with gloved hands.
- Environmentally friendly PVC, lead-free.
- Compliant with SEMI S8-0308 guideline.
- Requires two 3/16" (5 mm) diameter screws for installation. Screws not included.



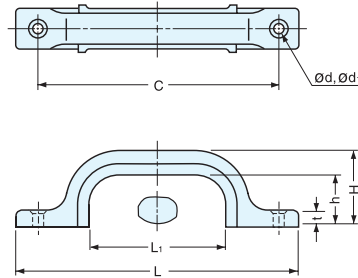
| Item No. | Weight (g) | Box (pcs) | Carton |
|----------|------------|-----------|--------|
| MH-P120 | 34 | 64 | 640 |
| MH-P170 | 56 | 48 | 480 |

| Material | Finish |
|--------------------------|--------|
| Polyvinyl Chloride (PVC) | Clear |

HANDLE



US



- Rubber grip allows for an easy and comfortable grip.
- Lightweight design.

| Material | Finish |
|---------------------|-------------------------|
| 304 Stainless Steel | Mirror (M) Satin (S) |

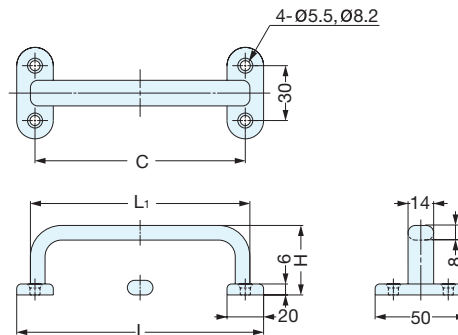
* Grip - Black/Synthetic Rubber

| Item No. | L | L1 | C | B | H | h | t | d | d1 | Weight (g) | Box (pcs) | Carton (pcs) | Screw | |
|----------|----------|-----|----|----------------|----|-----------------|----|-----|-----|------------|-----------|--------------|-------|----------------------|
| US-70/M | US-70/S | 70 | 20 | 54 (2-1/8") | 17 | 28 (1-7/64") | 21 | 5.5 | 3.3 | 6.6 | 20 | 20 | 200 | 3.1 x 16 3.5 x 20 |
| US-120/M | US-120/S | 120 | 57 | 102 (4-1/64") | 19 | 32 (1-17/64") | | 6.5 | 3.8 | 7.6 | 45 | | | |
| US-160/M | US-160/S | 160 | 88 | 140 (5-33/64") | 22 | 37.5 (1-15/32") | 23 | 7.5 | 4.1 | 8.1 | 70 | 10 | 100 | 4.1 x 25 |

HANDLE



EC-H



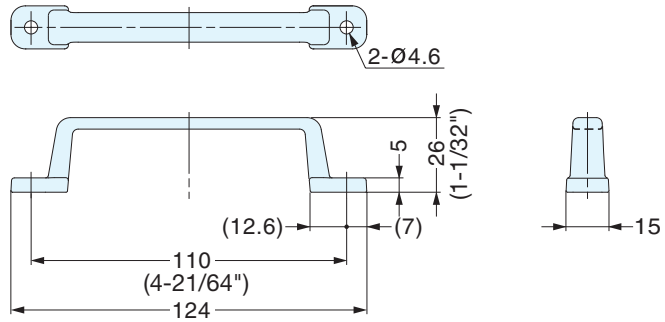
| Material | Finish |
|---------------------|--------|
| 303 Stainless Steel | Mirror |

| Item No. | L | L1 | C | H | Weight (g) | Box (pcs) | Carton (pcs) | Screw |
|----------|-----|-----|----------------|---------------|------------|-----------|--------------|----------|
| EC-H-135 | 135 | 120 | 115 (4-17/32") | 40 (1-37/64") | 191 | 5 | 50 | 3.1 x 16 |
| EC-H-165 | 165 | 150 | 145 (5-45/64") | 42 (1-21/32") | 216 | 3 | 30 | 3.5 x 20 |

HANDLE



FT-110S

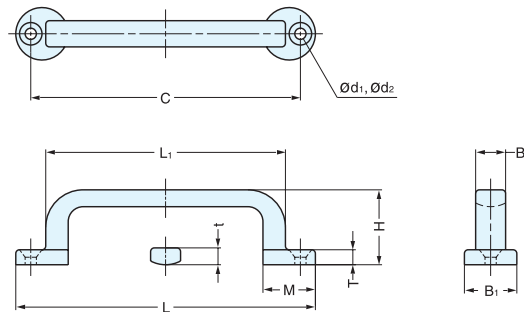


| | | | | | |
|----------|------------|-----------|--------------|---------------------|--------|
| Item No. | Weight (g) | Box (pcs) | Carton (pcs) | Material | Finish |
| FT-110S | 60 | 50 | 200 | 304 Stainless Steel | Satin |

HANDLE



FT-65, 80, 100



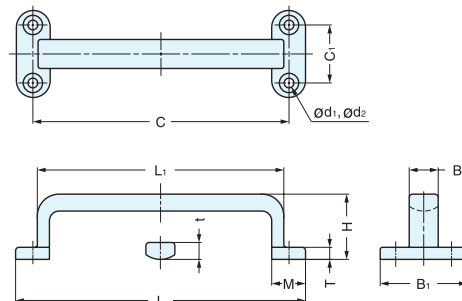
| | |
|---------------------|--------|
| Material | Finish |
| 304 Stainless Steel | Mirror |

| Item No. | L | L1 | C | B1 | B2 | H | T | t | M | d1 | d2 | Weight (g) | Box (pcs) | Carton (pcs) | Screw |
|----------|-----|----|------------------|----|----|---------------|-----|-----|----|-----|-----|------------|-----------|--------------|----------|
| FT- 65 | 65 | 47 | 57 (2-1/4") | 13 | 7 | 16 (5/8") | 3.5 | 4 | 13 | 3.3 | 6.4 | 19 | 40 | 480 | 3.1 × 16 |
| FT- 80 | 80 | 61 | 72 (2-27/32") | 14 | 8 | 20 (25/32") | 4 | 4.5 | 14 | | 6.4 | 32 | 30 | 360 | |
| FT-100 | 100 | 75 | 88 (3 -15/32") | 18 | 10 | 25 (63/64") | 5 | 5.5 | 18 | 4.1 | 8 | 58 | 20 | 240 | 3.8 × 20 |

HANDLE



FT-120, 150



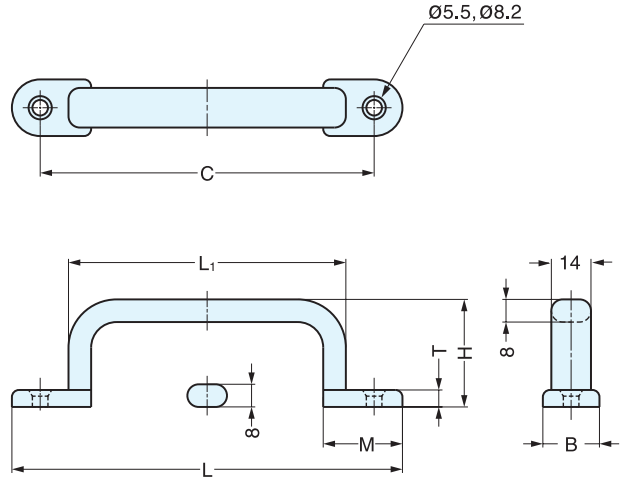
| | |
|---------------------|--------|
| Material | Finish |
| 304 Stainless Steel | Mirror |

| Item No. | L | L1 | C | C1 | B1 | B2 | H | T | t | M | d1 | d2 | Weight (g) | Box (pcs) | Carton (pcs) | Screw |
|----------|-----|-----|------------------|----|----|----|-----------------|---|---|----|-----|------|------------|-----------|--------------|----------|
| FT-120 | 120 | 102 | 106 (4-11/64") | 24 | 36 | 12 | 27 (1-1/16") | 5 | 7 | 14 | 4.1 | 8 | 105 | 10 | 120 | 3.8 × 20 |
| FT-150 | 150 | 126 | 132 (5-3/16") | 30 | 45 | 15 | 33 (1-19/64") | 6 | 8 | 18 | 5.3 | 10.4 | 191 | 5 | 40 | 5.1 × 25 |

HANDLE



EC-Y



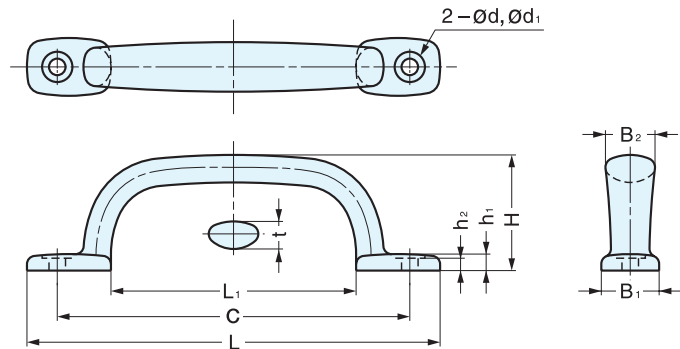
| | |
|---------------------|--------|
| Material | Finish |
| 303 Stainless Steel | Mirror |

| Item No. | L | L ₁ | C | B | H | T | M | Weight (g) | Box (pcs) | Carton (pcs) |
|----------|-----|------------------|------------------|----|-----------------|---|----|------------|-----------|--------------|
| EC-Y-140 | 138 | 100 (3-15/16") | 120 (4-23/32") | 20 | 38 (1-1/2") | 6 | 28 | 142 | 5 | 50 |
| EC-Y-160 | 158 | 120 (4-23/32") | 140 (5-33/64") | | 40 (1-37/64") | | | 30 | | |
| EC-Y-190 | 188 | 150 (5-29/32") | 170 (6-11/16") | | 42 (1-42/64") | | | 20 | | |

HANDLE (TITANIUM)



2LC-Ti



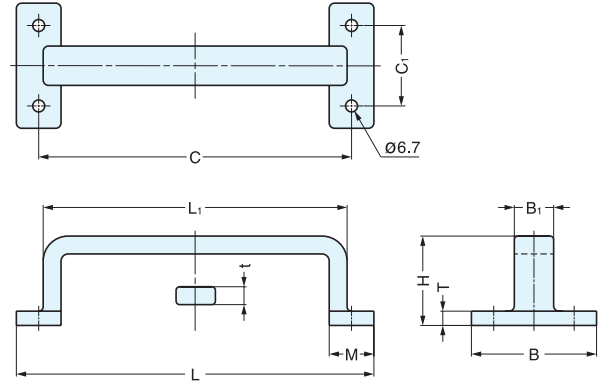
| | |
|----------|-----------|
| Material | Finish |
| Titanium | Shotblast |

| Item No. | L | L ₁ | C | B ₁ | B ₂ | H | h ₁ | h ₂ | t | d | d ₁ | Weight (g) | Box (pcs) | Carton (pcs) |
|------------|-----|----------------|-----------------|----------------|----------------|---------------|----------------|----------------|----|---|----------------|------------|-----------|--------------|
| 2LC- 80 Ti | 80 | 32 | 64 (2-33/64") | 16 | 14 | 35 (1-3/8") | 5.5 | 4 | 8 | 5 | 9.5 | 37 | 30 | 180 |
| 2LC-120 Ti | 120 | 64 | 96 (3-25/32") | 18 | 16 | 36 (1-27/64") | | 9 | | | | | | |
| 2LC-150 Ti | 150 | 89 | 128 (5-1/32") | 21 | 18 | 42 (1-42/64") | 6 | 4.5 | 10 | 6 | 11 | 96 | 15 | 90 |

LARGE TRANSOM HANDLE



FT-200, 280



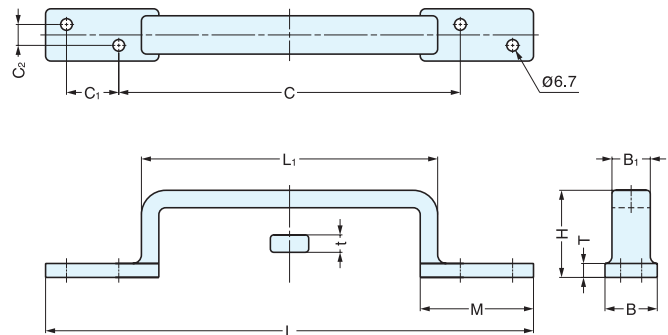
| Material | Finish |
|---------------------|--------|
| 316 Stainless Steel | Mirror |

| Item No. | L | L1 | C | C1 | B1 | B | H | T | t | M | Weight (g) | Box (pcs) | Carton (pcs) |
|----------|-----|-----|------------------|----|----|----|----------------|----|----|----|------------|-----------|--------------|
| FT-200 | 200 | 170 | 175 (6-57/64") | 45 | 22 | 70 | 50 (1-31/32") | 8 | 10 | 25 | 586 | 1 | 20 |
| FT-280 | 280 | 250 | 253 (9-31/32") | 55 | 26 | 80 | 62 (2-7/16") | 10 | 12 | 27 | 1088 | | 10 |

LARGE TRANSOM HANDLE



FT-S280, S370



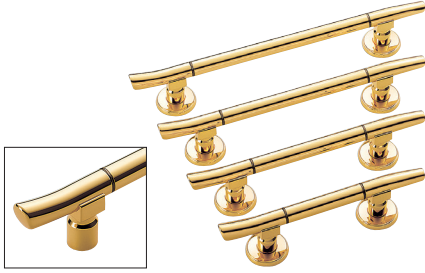
| Material | Finish |
|---------------------|--------|
| 316 Stainless Steel | Mirror |

| Item No. | L | L1 | B | B1 | H | T | t | M | C | C1 | C2 | Weight (g) | Box (pcs) | Carton (pcs) |
|----------|----------------|-----|----|----|----------------|----|----|----|------------------|----|----|------------|-----------|--------------|
| FT-S280 | 280 (11-1/32") | 170 | 30 | 22 | 50 (1-31/32") | 8 | 10 | 65 | 196 (7-23/32") | 30 | 12 | 612 | 1 | 20 |
| FT-S370 | 370 (14-9/16") | 250 | 36 | 26 | 62 (2-7/16") | 10 | 12 | 72 | 277 (10-29/32") | 35 | 18 | 1154 | | 10 |

HANDLE (GOLD PLATED)



TMH



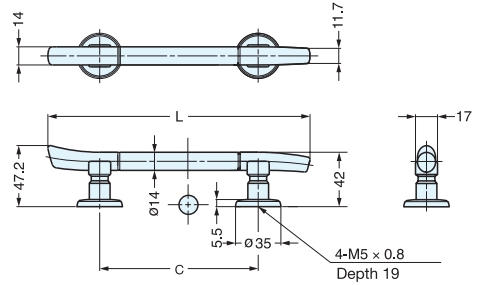
• BASE PLATE

| Item No. | Material | Finish | Weight (g) | Box (pcs) | Carton (pcs) |
|----------|----------|------------------|------------|-----------|--------------|
| TMH-M35 | Brass | 24K Gold Plating | 28 | 2 | 20 |

• HANDLE

| Item No. | L | C | Weight (g) | Box (pcs) | Carton (pcs) |
|----------|-------------------|-----------------|------------|-----------|--------------|
| TMH-96 | 176 (6-59/64") | 96 (3-25/32") | 259 | 1 | 10 |
| TMH-128 | 208 (8-3/16") | 128 (5-1/32") | 280 | | |
| TMH-160 | 240 (9-29/64") | 160 (6-5/16") | 301 | | |
| TMH-192 | 272 (10-45/64") | 192 (7-9/16") | 320 | | |

- Similar style to DTM-B door handles (P.14) and TMT knobs (P.98).
- Base plate TMH-M35 available (sold separately).

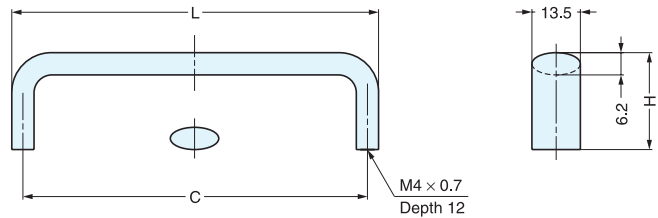


| Material | Finish |
|----------|--|
| Brass | 24K Gold Plating (Body), Black Nickel (Ring) |

HANDLE



DLB



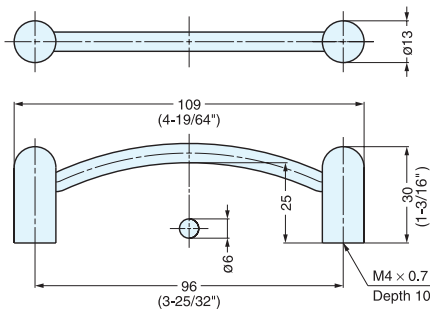
| Item No. | L | C | H | Weight (g) | Box (pcs) | Carton (pcs) | Material | Finish |
|-----------|-------|---------------|--------------|------------|-----------|--------------|----------|---------------------|
| DLB-96/CR | 102.2 | 96 (3-25/32") | 27 (1-1/16") | 78.5 | 20 | 200 | Brass | Chrome (CR) |
| DLB-96/PB | | | | | | | | Polished Brass (PB) |

HANDLE



LX

- 304 stainless steel version available (P.50).



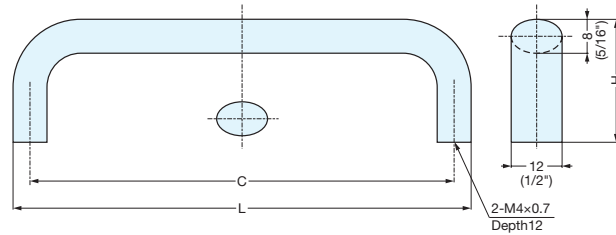
| Item No. | Weight (g) | Box (pcs) | Carton (pcs) | Material | Finish |
|-----------|------------|-----------|--------------|----------|------------|
| LX-110/SN | 78 | 10 | 160 | Brass | Satin (SN) |

HANDLE



KK-H

• Antibacterial Coating.



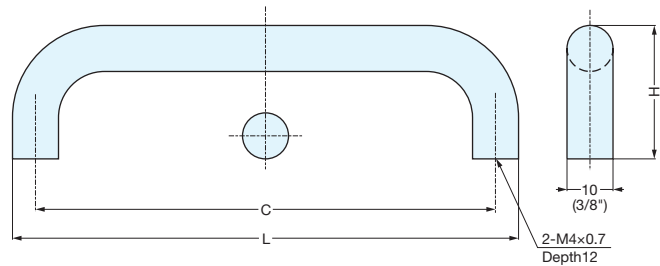
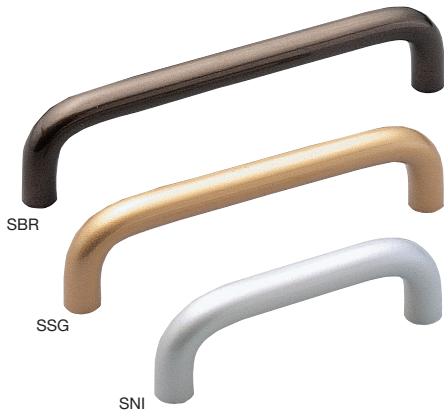
| Item No. | Material | Finish | L | C | H | Weight (g) | Box (pcs) | Carton (pcs) |
|------------|----------------|------------------------------------|------------------|-------------------|-----------------|------------|-----------|--------------|
| KK-H 80SNI | Aluminum Alloy | Nickel + Antibacterial Coating | 78 (3-1/16") | 70 (2-3/4") | 28 (1-3/32") | 20 | 25 | 200 |
| KK-H 80SSG | | Satin Gold + Antibacterial Coating | | | | | | |
| KK-H 80SBR | | Brown + Antibacterial Coating | | | | | | |
| KK-H110SNI | | Nickel + Antibacterial Coating | 108 (4-1/4") | 100 (3-15/16") | 29 (1-9/64") | 25 | | |
| KK-H110SSG | | Satin Gold + Antibacterial Coating | | | | | | |
| KK-H110SBR | | Brown + Antibacterial Coating | | | | | | |
| KK-H130SNI | | Nickel + Antibacterial Coating | 128 (5-1/32") | 120 (4-23/32") | 30 (1-3/16") | 30 | | |
| KK-H130SSG | | Satin Gold + Antibacterial Coating | | | | | | |
| KK-H130SBR | | Brown + Antibacterial Coating | | | | | | |

HANDLE



KK-M

• Antibacterial Coating.

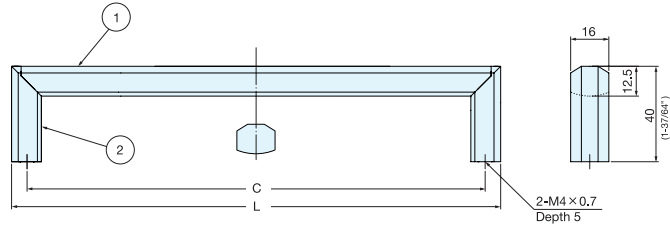


| Item No. | Material | Finish | L | C | H | Weight (g) | Box (pcs) | Carton (pcs) |
|------------|----------------|------------------------------------|------------------|-------------------|-----------------|------------|-----------|--------------|
| KK-M 80SNI | Aluminum Alloy | Nickel + Antibacterial Coating | 80 (3-1/8") | 70 (2-3/4") | 28 (1-3/32") | 20 | 25 | 200 |
| KK-M 80SSG | | Satin Gold + Antibacterial Coating | | | | | | |
| KK-M 80SBR | | Brown + Antibacterial Coating | | | | | | |
| KK-M110SNI | | Nickel + Antibacterial Coating | 110 (4-5/16") | 100 (3-15/16") | 29 (1-9/64") | 25 | | |
| KK-M110SSG | | Satin Gold + Antibacterial Coating | | | | | | |
| KK-M110SBR | | Brown + Antibacterial Coating | | | | | | |
| KK-M130SNI | | Nickel + Antibacterial Coating | 130 (5-1/8") | 120 (4-23/32") | 30 (1-3/16") | 30 | | |
| KK-M130SSG | | Satin Gold + Antibacterial Coating | | | | | | |
| KK-M130SBR | | Brown + Antibacterial Coating | | | | | | |

HANDLE



XLA-HA



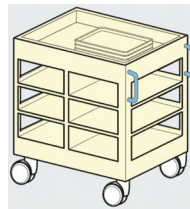
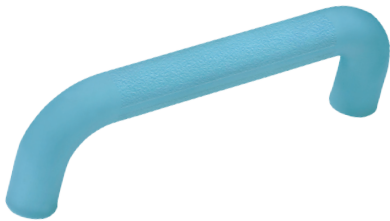
| Item No. | L | C | Weight (g) | Box (pcs) | Carton (pcs) |
|-----------|-----|-------------------|------------|-----------|--------------|
| XLA-HA 96 | 109 | 96 (3-25/32") | 132 | 20 | 80 |
| XLA-HA128 | 141 | 128 (5-1/32") | 142 | | |
| XLA-HA192 | 205 | 192 (7-9/16") | 144 | | |
| XLA-HA256 | 269 | 256 (10-5/64") | 180 | 10 | 60 |
| XLA-HA320 | 333 | 320 (12-19/32") | 200 | | |

| No. | Part Name | Material | Finish |
|-----|-----------|----------------|--------------|
| ① | Bar | Aluminum Alloy | Anodized |
| ② | Post | Zinc Alloy | Matte Silver |

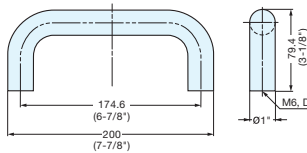
HANDLE



SGH-200



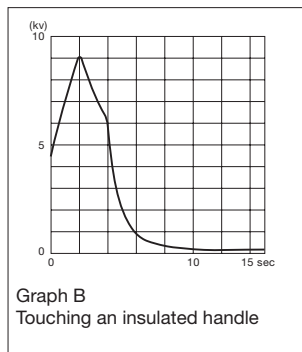
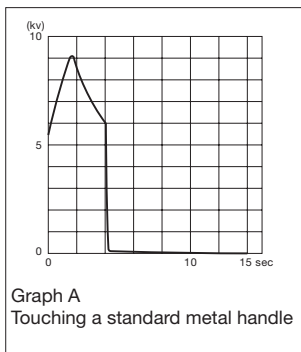
- SGH-200 is a specially insulated handle designed to reduce shock from static electricity build-up as well as inhibit bacterial transfer.
- Textured, soft handle improves grip in manufacturing environments where lubricants are used, improving conditions when slippage is a safety concern.
- Un-obtrusive light blue color.
- Suitable for use in environments -22°F to 176°F (-30°C to 80°C).
- For use in medical, pharmaceutical, and electronic equipment; for use in educational, institutional, and industrial facilities where limiting transfer of static electricity or bacteria is important to operations.



Note: Details provided for this hardware's properties/specifications are for general information only. Grounding is required to discharge electricity, and shock reduction is effective only when installed on electrically conductive surfaces. Safety of a final product or equipment is not guaranteed when used as a component. This hardware is designed to reduce-not completely eliminate-shock from static electricity. Sensitivity to shock may vary.

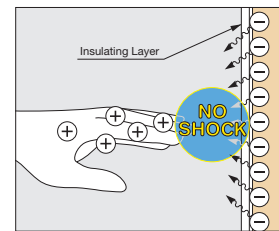
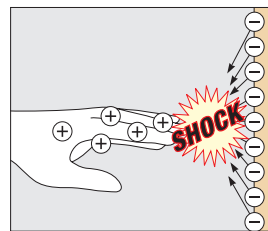
Properties of Special Elastomer Coating

Pathway of Electrical Discharge



The y-axis represents the natural voltage of the human body (in kiloVolts), and the x-axis represents elapsed time (in seconds). Contact with the hardware occurs at the 4 second mark.

There is an instantaneous discharge to 0kV in Graph A, compared to a delayed discharge to 1kV over 2 seconds in Graph B. This would result in a stronger electric discharge and shock for a metal handle (Graph A) compared to the SGH-200 (Graph B).



In the figures above, a human hand with a positive charge is approaching a conductive surface with a negative charge (e.g., metal). The figure on the right incorporates a layer to insulate the discharge.

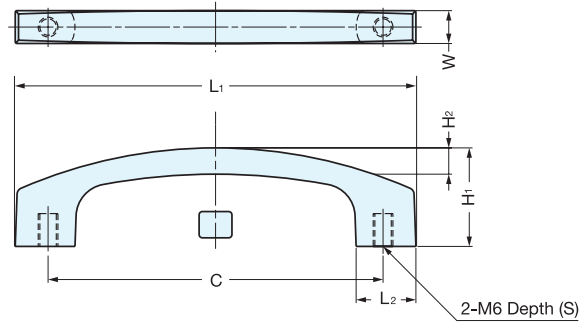
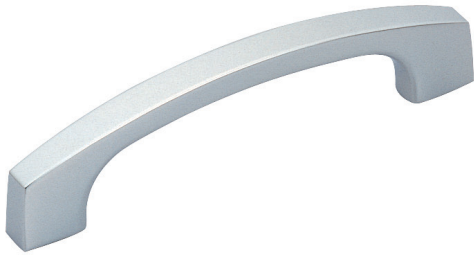
Direct physical contact with a conductive surface (metal, etc.) may result in a discharge of static electricity, causing discomfort. The insulating coating of the SGH-200 acts as a buffer to reduce the rate of discharge and lessen the resulting shock (depicted above). The elastomer used for insulation incorporates a resin specially formulated for a specific conductivity.

| Item No. | Color | Material | Weight (g) | Box (pcs) | Carton (pcs) |
|----------|------------|--|------------|-----------|--------------|
| SGH-200 | Light Blue | Base Material: Polyamide; Coating: Special Elastomer | 250 | 20 | 200 |

HANDLE



SAZ

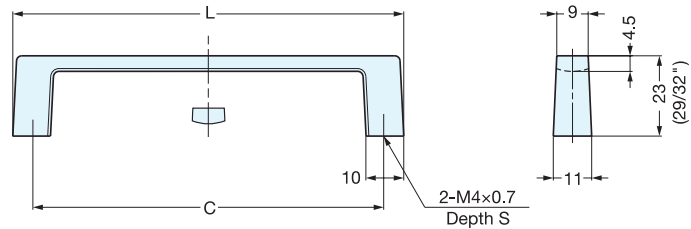


| Item No. | L ₁ | L ₂ | C | S | W | H ₁ | H ₂ | Weight (g) | Box (pcs) | Carton (pcs) | Material | Finish |
|----------|----------------|----------------|---------------|---|----|----------------|----------------|------------|-----------|--------------|------------|--------|
| SAZ-121 | 121 | 17 | 102 (4-1/64") | 9 | 10 | 27.7 (1-3/32") | 5.2 | 85 | 40 | 400 | Zinc Alloy | Chrome |

HANDLE



936 SERIES

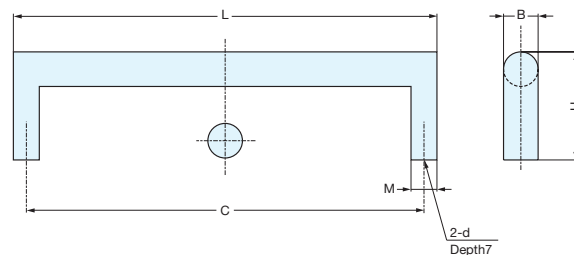


| Item No. | L | C | S | Weight (g) | Box (pcs) | Carton (pcs) | Screw | Material | Finish |
|------------|------|------------------|----|------------|-----------|--------------|---------|------------|--------------------|
| 936-55-SCR | 66.5 | 55 (2-11/64") | 8 | 40 | 50 | 200 | M4 x 25 | Zinc Alloy | Satin Chrome (SCR) |
| 936-100-DC | 112 | 100.5 (3-61/64") | 10 | 52 | | | M4 x 28 | | Dull Chrome (DC) |

HANDLE



KAKU-A

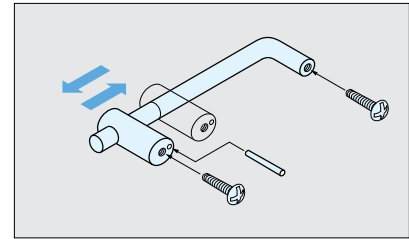
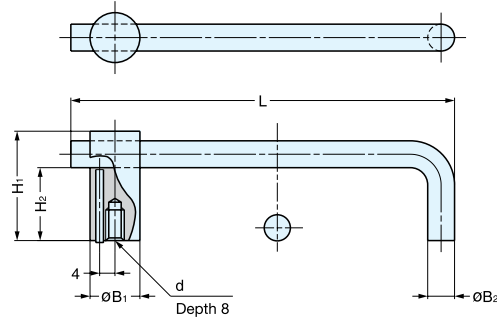


| Item No. | L | H | B | C | M | D | Weight (g) | Box (pcs) | Carton (pcs) | Material | Finish |
|-----------|---------------|----|---|---------------|----|----|------------|-----------|--------------|----------|-------------|
| KAKU-A161 | 84 (3-5/16") | 24 | 7 | 78 (3-1/16") | 7 | M3 | 46 | 35 | 420 | Brass | Dull Chrome |
| KAKU-A160 | 99 (3-15/16") | 25 | 8 | 92 (3-5/8") | 8 | M4 | 58 | 30 | 360 | | |
| KAKU-A159 | 124 (4-7/8") | 29 | 9 | 113 (4-7/16") | 11 | M4 | 103 | 20 | 240 | | |

PITCH ADJUSTABLE HANDLE



FK-100-WW



Installation

| Material | Finish |
|----------|--------------|
| Brass | Satin Nickel |

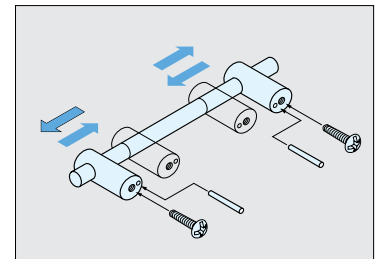
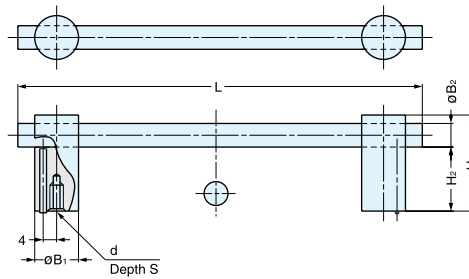
| Item No. | L | B ₁ | B ₂ | H ₁ | H ₂ | d | Weight (g) | Box (pcs) | Carton (pcs) |
|-----------|----------------|----------------|----------------|----------------|----------------|----------|------------|-----------|--------------|
| FK-100-WW | 100 (3-15/16") | 13 | 7 | 28.5 (1-1/8") | 19 | M4 × 0.7 | 60 | 5 | 150 |

PITCH ADJUSTABLE HANDLE



FM-120-WW

Discontinued



Installation

| Material | Finish |
|----------|--------------|
| Brass | Satin Nickel |

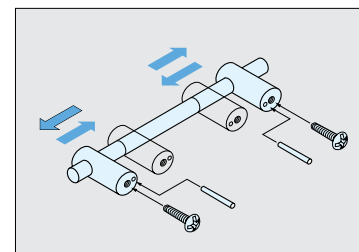
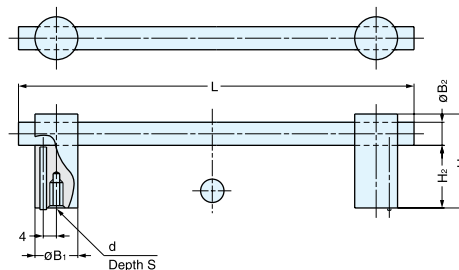
| Item No. | L | B ₁ | B ₂ | H ₁ | H ₂ | d | S | Weight (g) | Box (pcs) | Carton (pcs) |
|-----------|----------------|----------------|----------------|----------------|----------------|----------|---|------------|-----------|--------------|
| FM-120-WW | 120 (4-23/32") | 13 | 7 | 28.5 (1-1/8") | 19 | M4 × 0.7 | 8 | 85 | 5 | 150 |

PITCH ADJUSTABLE HANDLE



FM-220-WW

Discontinued



Installation

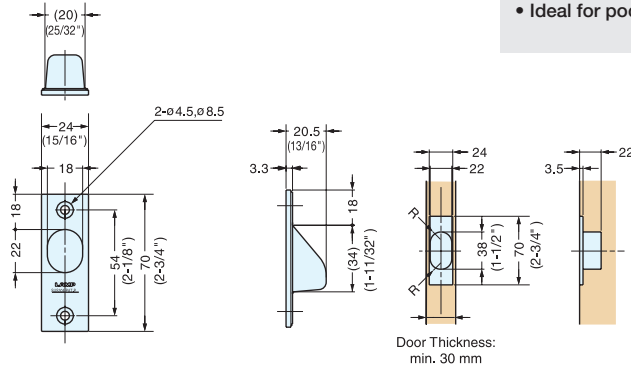
| Material | Finish |
|----------|--------------|
| Brass | Satin Nickel |

| Item No. | L | B ₁ | B ₂ | H ₁ | H ₂ | d | S | Weight (g) | Box (pcs) | Carton (pcs) |
|-----------|----------------|----------------|----------------|----------------|----------------|----------|---|------------|-----------|--------------|
| FM-220-WW | 220 (8-21/32") | 18 | 10 | 41 (1-39/64") | 28 | M5 × 0.8 | 9 | 280 | 10 | 80 |

RECESSED PULL



YK-70



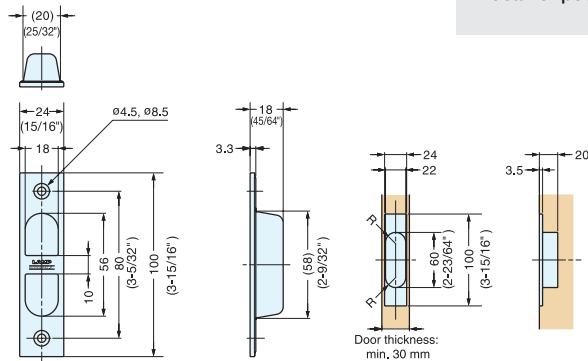
• Ideal for pocket door application.

| Item No. | Weight (g) | Box (pcs) | Carton (pcs) | Material | Finish |
|----------|------------|-----------|--------------|---------------------|--------|
| YK-70 | 37 | 20 | 200 | 304 Stainless Steel | Satin |

RECESSED PULL



YK-W100



• Ideal for pocket door application.

| Item No. | Weight (g) | Box (pcs) | Carton (pcs) | Material | Finish |
|----------|------------|-----------|--------------|---------------------|--------|
| YK-W100 | 45 | 20 | 160 | 304 Stainless Steel | Satin |

RECESSED PULL (w/DOOR STOPPER)



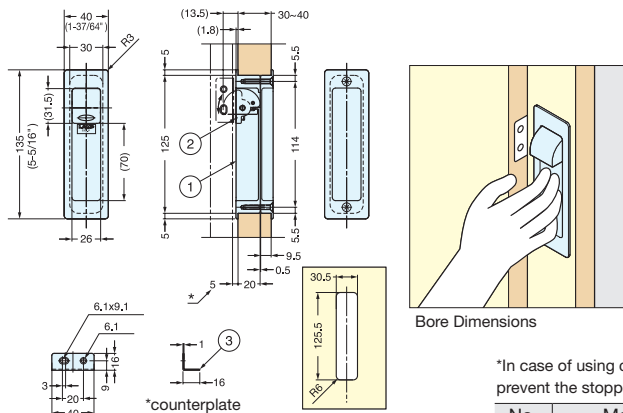
HH-P135



HH-P135/CR



HH-P135/DC



- Door stopper can be flipped-out to prevent door from entering pocket and pinching fingers.
- Door stopper can be flipped-in to completely open the door.
- Applicable door thickness: 30~40 mm (1-3/16"~1-9/16")
- Can be used on door thickness up to 50 mm (1-31/32") by using longer M4 screws. (Not supplied.)
- Also available in Satin Nickel (SN) finish.

*In case of using counterplate, change the gap (marked *) to 7 mm (9/32") to prevent the stopper and plate from hitting or scratching.

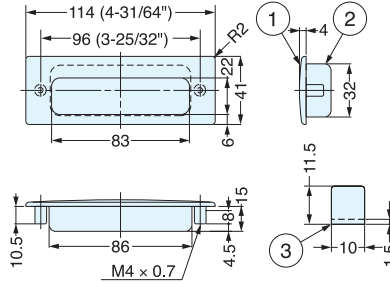
| Item No. | Door Thickness (mm) | Weight (g) | Box (pcs) | Carton (pcs) |
|------------|---------------------|------------|-----------|--------------|
| HH-P135/CR | 30~40 | 290 | 5 | 50 |
| HH-P135/DC | | | | |

| No. | Material | Finish/Color |
|-----|--------------|-------------------------------|
| ① | Zinc Alloy | Chrome (CR), Dull Chrome (DC) |
| ② | Polyurethane | - |
| ③ | Steel | Chrome (CR), Dull Chrome (DC) |

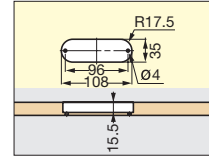
RECESSED PULL



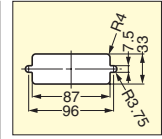
HH-KS



- All-stainless steel model ideal for harsh and high corrosive environments.



Bore Dimensions for wood panel



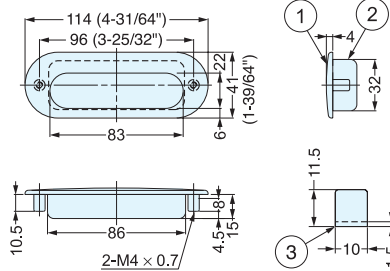
Cut Out Dimensions for sheet metal

| Item No. | Finish | Weight (g) | Box (pcs) | Carton (pcs) | No. | Part Name | Material | Finish |
|------------|--------|------------|-----------|--------------|-----|------------|---------------------|--------------|
| HH-KS 114M | Mirror | 110 | 10 | 60 | ① | Face Plate | 316 Stainless Steel | Mirror/Satin |
| HH-KS 114S | Satin | | | | ② | Case | 304 Stainless Steel | Satin |
| | | | | | ③ | Spacer | | - |

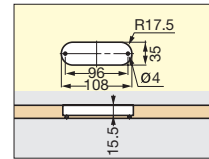
RECESSED PULL



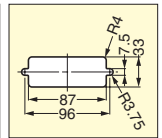
HH-DS



- All-stainless steel model ideal for harsh and high corrosive environments.



Bore Dimensions for wood panel



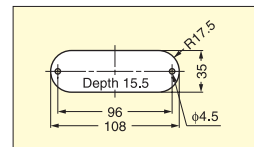
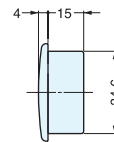
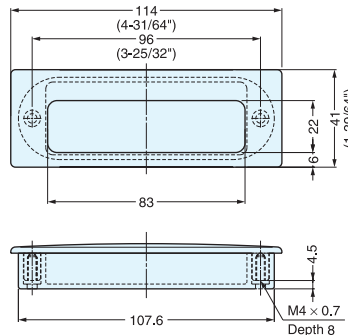
Cut Out Dimensions for sheet metal

| Item No. | Finish | Weight (g) | Box (pcs) | Carton (pcs) | No. | Part Name | Material | Finish |
|------------|--------|------------|-----------|--------------|-----|------------|---------------------|--------------|
| HH-DS 114M | Mirror | 105 | 10 | 60 | ① | Face Plate | 316 Stainless Steel | Mirror/Satin |
| HH-DS 114S | Satin | | | | ② | Case | 304 Stainless Steel | Satin |
| | | | | | ③ | Spacer | | - |

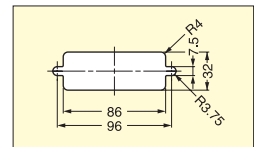
RECESSED PULL



HH-K



Bore Dimensions for wood panel



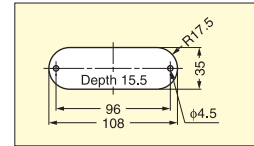
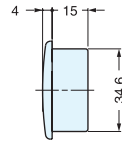
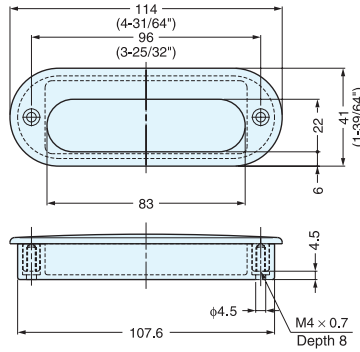
Cut Out Dimensions for sheet metal. Put sheet metal between front and back part for sheet metal applications. (Max. sheet metal thickness: 2 mm)

| Item No. | Weight (g) | Box (pcs) | Carton (pcs) | Material | Finish/Color |
|----------|------------|-----------|--------------|---------------------|--------------|
| HH-K | 90 | 10 | 60 | 316 Stainless Steel | Mirror |
| | | | | ABS | Black |

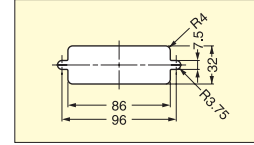
RECESSED PULL



HH-D



Bore Dimensions for wood panel



Cut Out Dimensions for sheet metal. Put sheet metal between front and back part for sheet metal applications. (Max. sheet metal thickness: 2 mm)

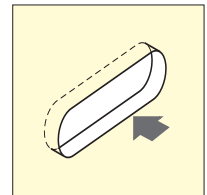
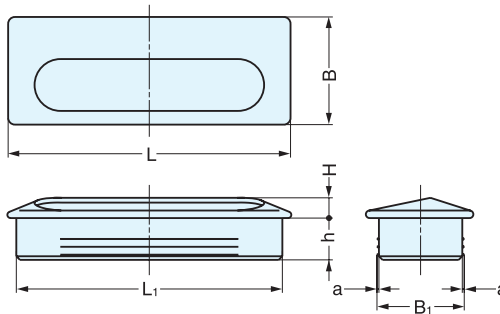
| Item No. | Weight (g) | Box (pcs) | Carton (pcs) |
|----------|------------|-----------|--------------|
| HH-D | 85 | 10 | 60 |

| Material | Finish/Color |
|---------------------|--------------|
| 316 Stainless Steel | Mirror |
| ABS | Black |

RECESSED PULL



UT



Installation

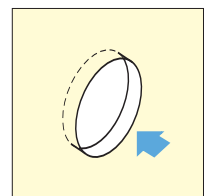
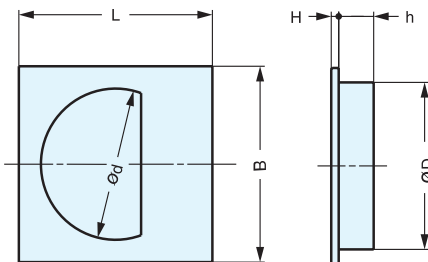
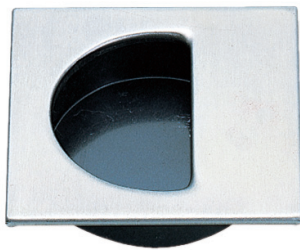
| Item No. | L | L ₁ | H | h | B | B ₁ | a | Weight (g) | Box (pcs) | Carton (pcs) |
|-----------|------------------|----------------|-----|------|----|----------------|-----|------------|-----------|--------------|
| UT- 75/S | 75 (2-61/64") | 71 | 7 | 15.5 | 36 | 30.8 | 0.4 | 15 | 40 | 400 |
| UT-105/S | 105 (4-1/8") | 99 | 7.5 | 15.5 | 40 | 32.5 | 0.5 | 30 | 25 | 250 |
| UT-140/S | 140 (5-33/64") | 134 | 7.5 | 15.5 | 47 | 40.5 | 0.5 | 45 | 15 | 150 |
| UT-105/PB | 105 (4-1/8") | 99 | 7.5 | 15.5 | 40 | 32.5 | 0.5 | 30 | 25 | 250 |

| Material | Finish/Color |
|------------------------|------------------------|
| 304 Stainless Steel | Satin (S) |
| Brass (UT-105/PB only) | Brass (PB)/(UT-105/PB) |
| Plastic | Black |

RECESSED PULL



SP



Installation

| Material | Finish/Color |
|-----------------------|---------------------------|
| 304 Stainless Steel | Satin (S) |
| Brass (SP-35/PB only) | Polished Brass (SP-35/PB) |
| Plastic | Black |

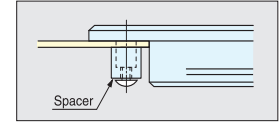
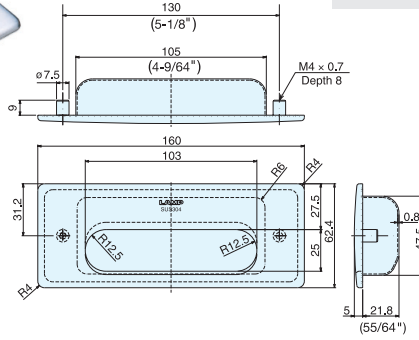
SP-35/S, SP-38/S, SP-48/S only are RoHS compliant.

| Item No. | L | B | H | h | D | d | Weight (g) | Box (pcs) | Carton (pcs) |
|----------|---------------|---------------|-----|---------------|------|----|------------|-----------|--------------|
| SP-35/S | 44 (1-47/64") | 44 (1-47/64") | 2.2 | 9.8 (25/64") | 35.1 | 31 | 10 | 100 | 1000 |
| SP-38/S | 47 (1-27/32") | 47 (1-27/32") | | 10.3 (13/32") | 37.6 | 34 | 11 | 60 | 1440 |
| SP-48/S | 57 (2-1/4") | 57 (2-1/4") | | 48.6 | 44 | 16 | 50 | 1200 | |
| SP-35/PB | 44 (1-47/64") | 44 (1-47/64") | | 9.8 (25/64") | 35.1 | 31 | 10 | 100 | 1000 |

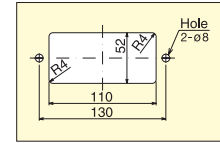
RECESSED PULL



HH-KL160



(Optional : BSP-8)
Sheet metal mounting application



Cut Out Dimensions

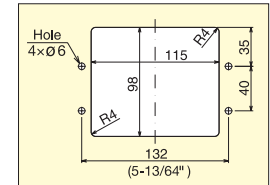
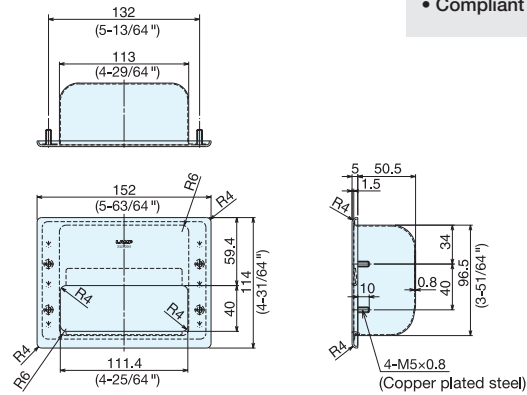
- Ideal for harsh and high corrosive environments.
- Compliant with SEMI S8-0600 guideline.
- Spacer for sheet metal application sold separately.

| | | | | | |
|----------|------------|-----------|--------------|---------------------|--------|
| Item No. | Weight (g) | Box (pcs) | Carton (pcs) | Material | Finish |
| HH-KL160 | 260 | 8 | 48 | 304 Stainless Steel | Satin |

RECESSED PULL



HH-KP150



Cut Out Dimensions

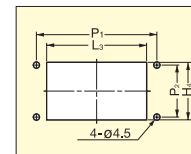
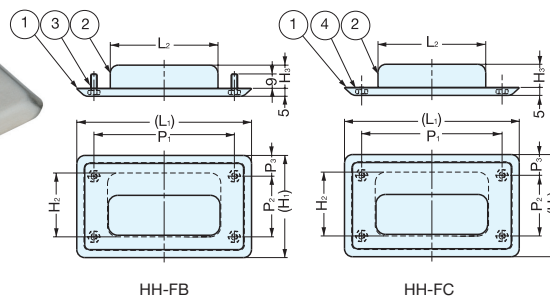
- Compliant with SEMI S8-0600 guideline.

| | | | | | |
|----------|------------|-----------|--------------|---------------------|--------|
| Item No. | Weight (g) | Box (pcs) | Carton (pcs) | Material | Finish |
| HH-KP150 | 390 | 5 | 50 | 304 Stainless Steel | Satin |

RECESSED PULL



HH-FB, HH-FC



Cut Out Dimensions

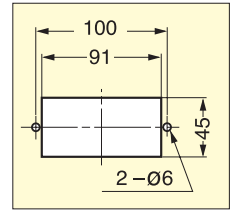
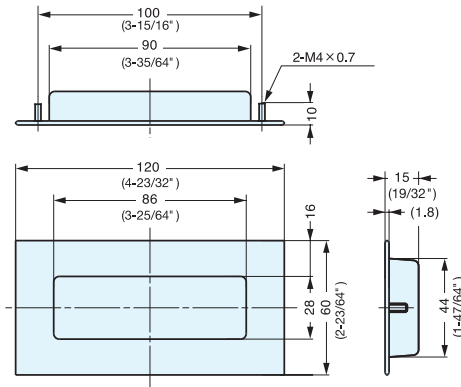
| No. | Part Name | Material | Finish |
|-----|-------------|---------------------|-------------------------|
| ① | Front Plate | 304 Stainless Steel | Mirror (M) Satin (S) |
| ② | Back Cover | | |
| ③ | M4 Stud | | |
| ④ | M4 Nut | | |

| Item No. | Stud/Nut | (L1) | L2 | L3 | (H1) | H2 | H3 | H4 | P1 | P2 | (P3) | Weight (g) | |
|-----------|-----------|---------|-------|------|------|----|----|------|----|-----|------|------------|-----|
| HH-FB-1/M | HH-FB-1/S | M4 Stud | 138 | 96 | 99 | 88 | 62 | 21 | 64 | 110 | 65 | 11.5 | 170 |
| HH-FB-2/M | HH-FB-2/S | M4 Stud | 109.5 | 67.5 | 73 | 64 | 40 | 14.5 | 42 | 88 | 38 | 13 | 100 |
| HH-FB-3/M | HH-FB-3/S | M4 Stud | 94 | 61 | 63 | 60 | 43 | 12 | 45 | 76 | 32 | 14.5 | 80 |
| HH-FC-1/M | HH-FC-1/S | M4 Nut | | | | | | | | | | | |
| HH-FC-2/M | HH-FC-2/S | M4 Nut | | | | | | | | | | | |
| HH-FC-3/M | HH-FC-3/S | M4 Nut | | | | | | | | | | | |

RECESSED PULL



HH-AS2



Cut Out Dimensions

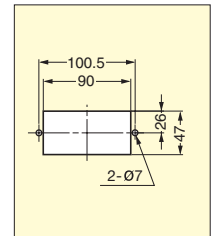
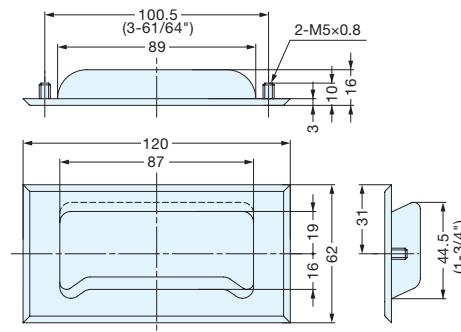
*Titanium version available upon request.

| Item No. | Weight (g) | Box (pcs) | Carton (pcs) | Material | Finish |
|----------|------------|-----------|--------------|---------------------|--------|
| HH-AS2 | 50 | 12 | 240 | 304 Stainless Steel | Satin |

RECESSED PULL



HH-AS3



Cut Out Dimensions

| Item No. | Weight (g) | Box (pcs) | Carton (pcs) | Material | Finish |
|----------|------------|-----------|--------------|---------------------|--------|
| HH-AS3 | 50 | 12 | 240 | 304 Stainless Steel | Satin |

RECESSED PULL



ES-611



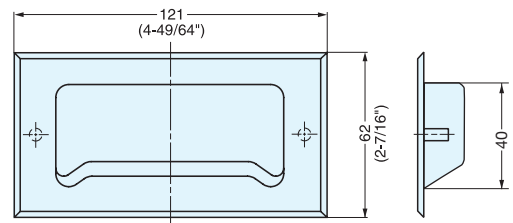
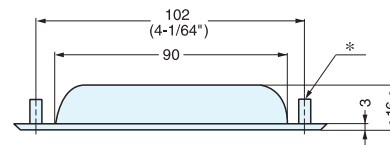
ET
(Male Studs/Copper)

IT
(M4 Female Studs/Copper
with M4 x 25 Steel screws)

WO
(Weld-on)

* ES-611/ET: Male studs/
Copper M5 x 0.8 Length 10

* ES-611/IT: Female studs/
Copper M4 x 0.7 Depth 6



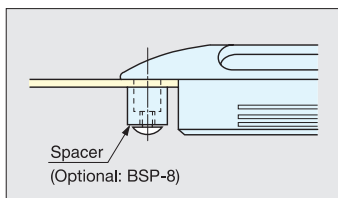
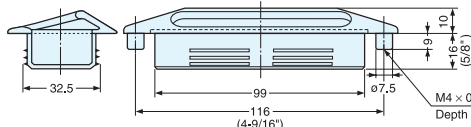
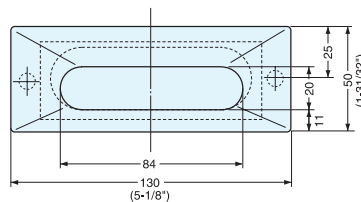
| Item No. | Weight (g) | Box (pcs) | Carton (pcs) | Material | Finish |
|-----------|------------|-----------|--------------|---------------------|--------|
| ES-611/ET | 68 | 20 | 200 | 304 Stainless Steel | Satin |
| ES-611/IT | 60 | | | | |
| ES-611/WO | | | | | |

RECESSED PULL

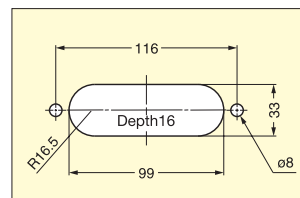


UTZ-130

• Models UTZ-130/CR, UTZ-130/SN are RoHs compliant.



Sheet metal mounting application



Bore Dimensions

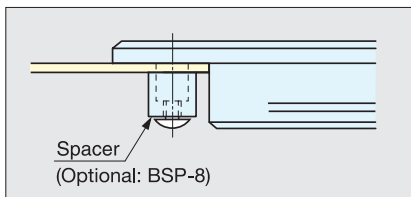
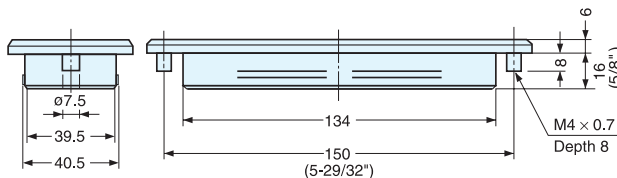
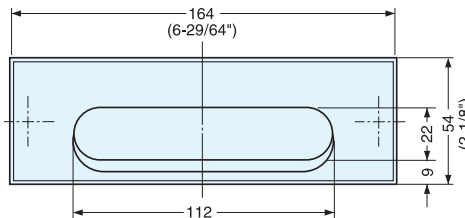
| Item No. | Weight (g) | Box (pcs) | Carton (pcs) |
|------------|------------|-----------|--------------|
| UTZ-130/CR | 105 | 10 | 60 |
| UTZ-130/SN | | | |
| UTZ-130/SB | | | |

| Material | Finish/Color |
|------------|---|
| Zinc Alloy | Chrome (CR)/Satin Nickel (SN)/Satin Bronze (SB) |
| Plastic | Black |

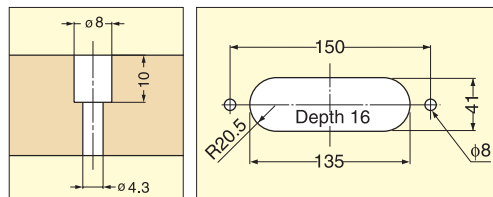
RECESSED PULL



SD-160



Sheet metal mounting application



Bore Dimensions

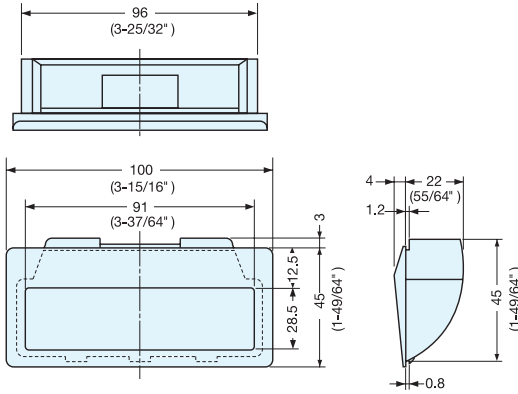
| Item No. | Weight (g) | Box (pcs) | Carton (pcs) |
|-----------|------------|-----------|--------------|
| SD-160/CR | 165 | 10 | 60 |
| SD-160/SN | | | |

| Material | Finish/Color |
|------------|-------------------------------|
| Zinc Alloy | Chrome (CR)/Satin Nickel (SN) |
| Plastic | Black |

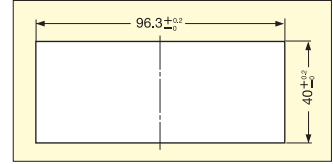
RECESSED PULL



AT-100



- Snap-in type recessed pull for sheet metal thickness 0.8 mm.



Cut Out Dimensions
(Panel thickness: 0.8 mm)

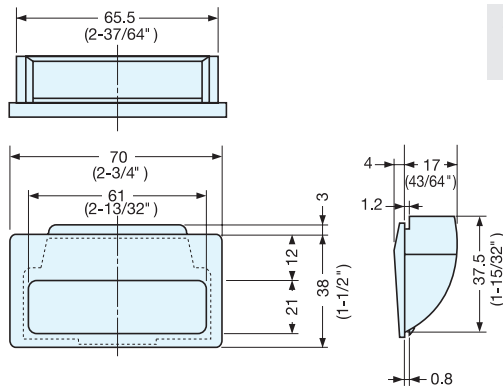
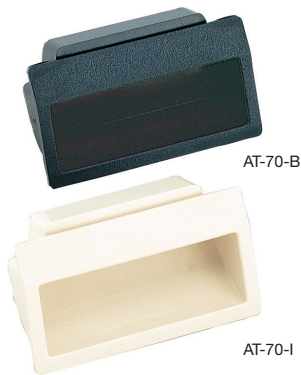
| Item No. | Weight (g) | Box (pcs) | Carton (pcs) |
|-----------|------------|-----------|--------------|
| AT-100-I | 23 | 50 | 250 |
| AT-100-BR | | | |
| AT-100-B | | | |

| Material | Color |
|----------|------------|
| ABS | Ivory (I) |
| | Brown (BR) |
| | Black (B) |

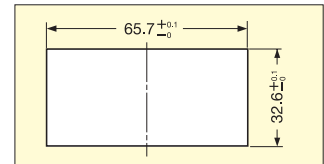
RECESSED PULL



AT-70



- Snap-in type recessed pull for sheet metal thickness 0.8 mm.



Cut Out Dimensions
(Panel thickness: 0.8 mm)

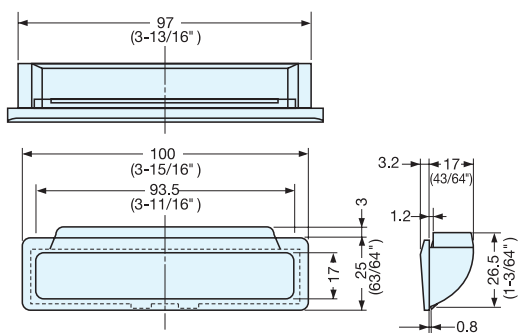
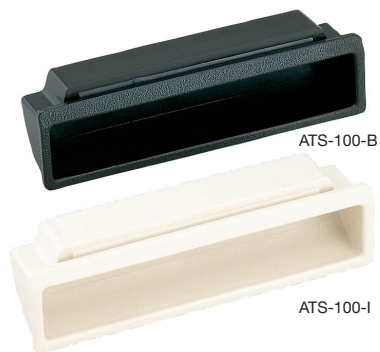
| Item No. | Weight (g) | Box (pcs) | Carton (pcs) |
|----------|------------|-----------|--------------|
| AT-70-I | 12 | 100 | 550 |
| AT-70-BR | | | |
| AT-70-B | | | |

| Material | Color |
|----------|------------|
| ABS | Ivory (I) |
| | Brown (BR) |
| | Black (B) |

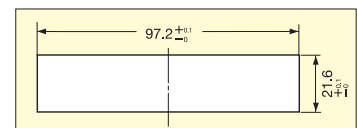
RECESSED PULL



ATS-100



- Snap-in type recessed pull for sheet metal thickness 0.8 mm.



Cut Out Dimensions (Panel thickness: 0.8 mm)

| Item No. | Weight (g) | Box (pcs) | Carton (pcs) |
|------------|------------|-----------|--------------|
| ATS-100-I | 12.5 | 100 | 550 |
| ATS-100-BR | | | |
| ATS-100-B | | | |

| Material | Color |
|----------|------------|
| ABS | Ivory (I) |
| | Brown (BR) |
| | Black (B) |

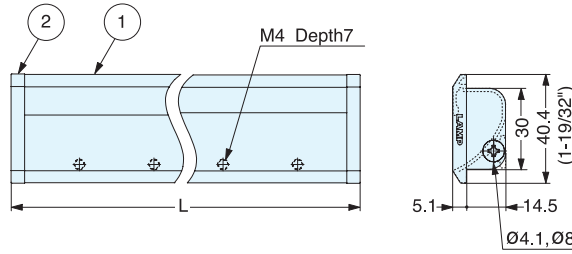
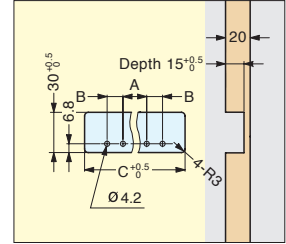
RECESSED PULL



XLA-HH



- Lightweight design.
- Bracket for sheet metal available.
Item No.: XLA-HH40B (sold separately)



| Item No. | L | Weight (g) | Box (pcs) | Carton (pcs) |
|-----------|-----------------|------------|-----------|--------------|
| XLA-HH300 | 300 (11-13/16") | 140 | 10 | 100 |
| XLA-HH600 | 600 (23-5/8") | 247 | 5 | 50 |

| No. | Material | Finish |
|-----|------------|----------|
| ① | Aluminum | Anodized |
| ② | Zinc Alloy | Chrome |

RECESSED PULL



HH-QTR

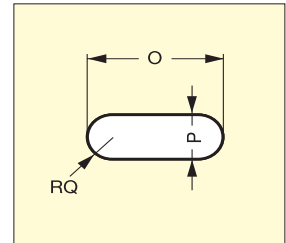
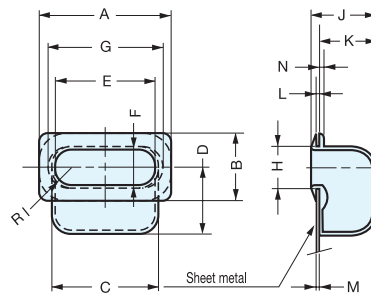


HH-QTR-K2 (BK)



HH-QTR-K1 (IV)

- Elastomer pull is ideal for medical and wash down applications.
- Snap-in type recessed pull for panel thickness of 2 mm.



Cut Out Dimensions

| Material | Color |
|-----------|--------------------------|
| Elastomer | Black (BK) Ivory (IV) |

| Item No. | A | B | C | D | E | F | G | H | I | J |
|---------------|----------------|----|---------------|----|----|----|---------------|--------------|----|---------------|
| HH-QTR-K 1 BK | 120 (4-23/32") | 58 | 96 (3-25/32") | 47 | 92 | 30 | 105 (4-9/64") | 38 (1-1/2") | 19 | 43 (1-11/16") |
| HH-QTR-K 2 BK | 82 (3-15/64") | 42 | 66 (2-19/32") | 42 | 62 | 22 | 72 (2-53/64") | 26 (1-1/32") | 13 | 37 (1-29/64") |

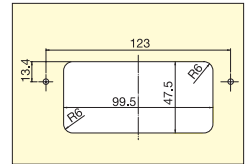
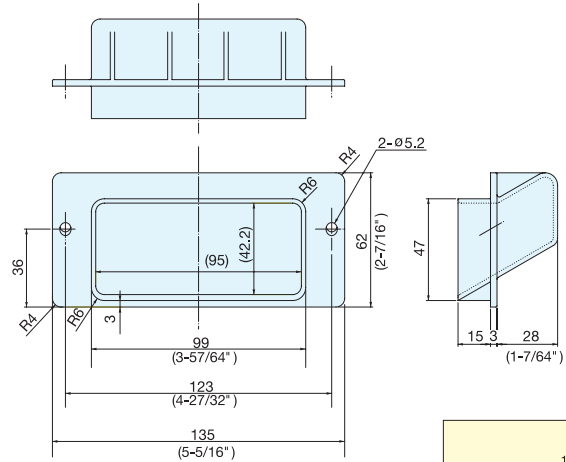
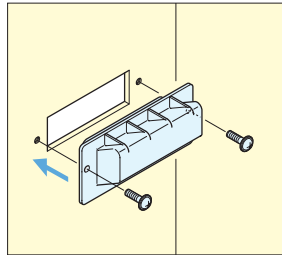
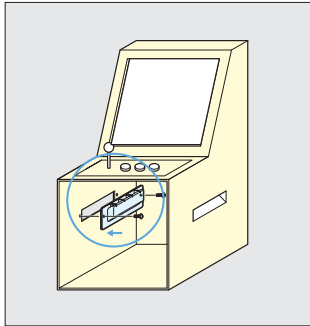
| Item No. | K | L | M | N | O | P | Q | Weight (g) | Box (pcs) | Carton (pcs) |
|---------------|----|---|---|---|-----|----|------|------------|-----------|--------------|
| HH-QTR-K 1 BK | 35 | 6 | 2 | 5 | 106 | 39 | 19.5 | 95 | 150 | 750 |
| HH-QTR-K 2 BK | 32 | 3 | | 3 | 73 | 27 | 13.5 | 46 | 300 | 1500 |

RECESSED PULL (BACK MOUNT)



HH-PS99

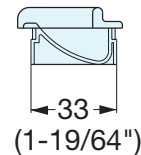
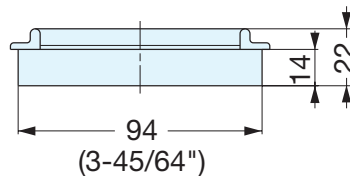
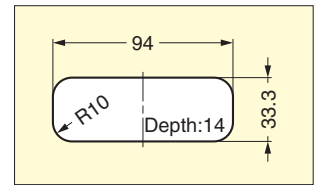
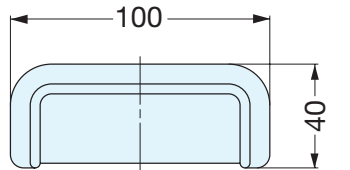
- Designed for back mount.
- Large grip space for heavy Cabinets etc.
- For panel thickness 15 mm. (19/32")



| | | | | | |
|---------------------|------------------|-----------------|---------------------|--|----------------|
| Item No. HH-PS99 | Weight (g) 42 | Box (pcs) 50 | Carton (pcs) 200 | Material Polypropylene with Glass Fiber | Color Black |
|---------------------|------------------|-----------------|---------------------|--|----------------|

RECESSED PULL

UP-600



| | | | | | |
|--------------------|------------------|-----------|---------------------|-----------------|------------------------|
| Item No. UP-600 | Weight (g) 25 | Box 50 | Carton (pcs) 300 | Material ABS | Color Black, Chrome |
|--------------------|------------------|-----------|---------------------|-----------------|------------------------|

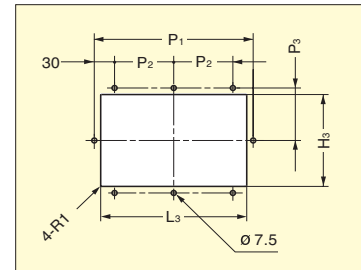
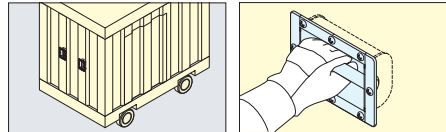
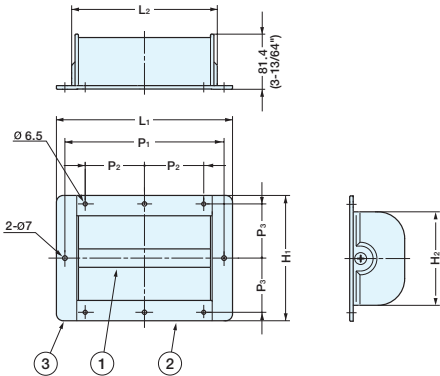
LARGE RECESSED PULL (WITH BAR HANDLE)



HH-M



- Durable 304 stainless steel construction.
- Designed for industrial applications where use of thick gloves are required.
- Handlebar does not protrude out from the face of the handle.
- 2 sizes available.



| Item No. | Box (pcs) | Carton (pcs) | No. | Part Name | Material |
|----------|-----------|--------------|-----|-----------|---------------------|
| HH-M200 | 1 | 4 | ① | Bar | 304 Stainless Steel |
| HH-M400 | 1 | 2 | ② | Cup | |
| | | | ③ | End Cover | |

| Item No. | L ₁ | H ₁ | H ₂ | L ₂ | P ₁ | P ₂ | P ₃ | L ₃ | H ₃ |
|----------|-----------------|--------------------|--------------------|-----------------|----------------|----------------|----------------|----------------|----------------|
| HH-M200 | 260 (10-15/64") | (186.3) (7-21/64") | (138.3) (5-29/64") | 218 (8-37/64") | 235 | 87.5 | 80 | 216 (8-1/2") | 140 (5-33/64") |
| HH-M400 | 460 (18-7/64") | (186.3) (7-21/64") | (138.3) (5-29/64") | 418 (16-29/64") | 435 | 125 | | 416 (16-3/8") | |

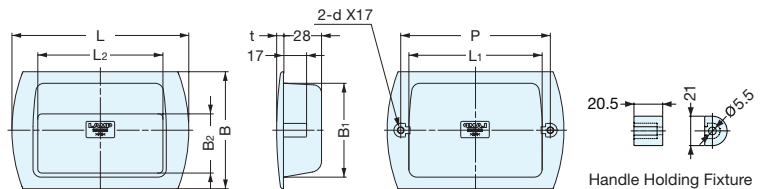
RECESSED PULL



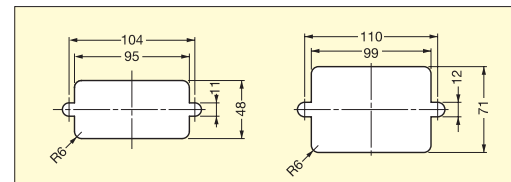
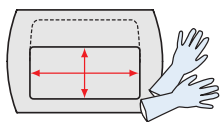
HH-P



- Made with PVC material:
 - Ideal for semiconductor, manufacturing machinery and transparent applications.
 - Weather proof, chemical resistant.
- Large opening allows for easy accessibility with gloved hands.
- Environmentally friendly-Lead free.
- Compliant with SEMI S8-0308 guideline.



Large opening makes it easier to use with gloves



Cut out Dimensions

| Item No. | L | L ₁ | L ₂ | B | B ₁ | B ₂ | H | P | d | t | Door Thickness (mm) |
|----------|-----|----------------|----------------|----|----------------|----------------|------|-----|----|---|---------------------|
| HH-P118 | 118 | 93 | 90 | 58 | 47 | 25.5 | 21.5 | 104 | M4 | 4 | 1~11 |
| HH-P130 | 130 | 98 | 92 | 86 | 69 | 43.5 | 28 | 110 | M5 | 5 | 1~11 |

| Item No. | Weight (g) | Box (pcs) | Carton (pcs) |
|----------|------------|-----------|--------------|
| HH-P118 | 43 | 45 | 450 |
| HH-P130 | 100 | 30 | 300 |

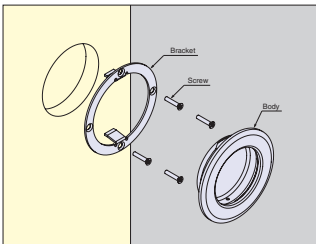
| Material | Color |
|---------------------------|-------|
| Polyvinyl Chloride (PVC) | Clear |

ZweiL Recessed Pull

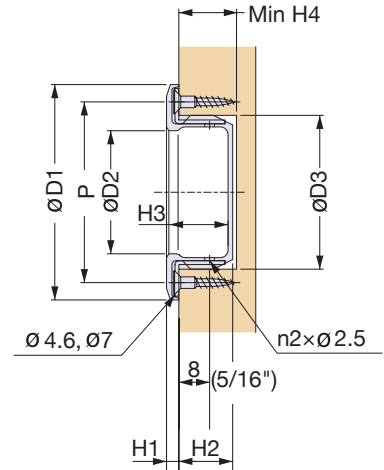
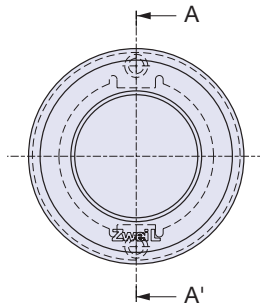


ZL-2501

• Supplied with stainless steel wood screws (3.1 × 16).



Installation



Cross-section (A-A') View

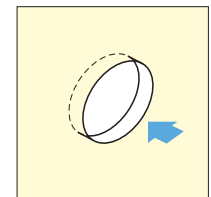
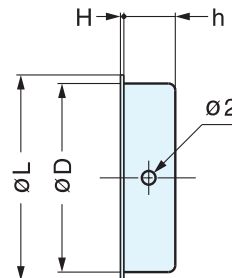
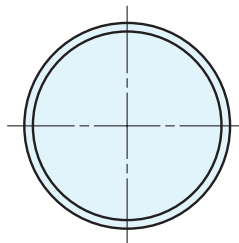
| Item No. | D2 | P | D1 | H2 | H1 | H3 | D3 | H4 | n1 | n2 | Weight (g) | Box (pcs) |
|-------------|----|-----|-----|----|-----|------|-----|----|----|----|------------|-----------|
| ZL-2501- 56 | 32 | 47 | 56 | 14 | 3.2 | 16 | 40 | 15 | 2 | 4 | 93 | 1 |
| ZL-2501- 80 | 50 | 70 | 80 | 14 | 4 | 16.5 | 62 | 15 | 4 | 2 | 196 | 1 |
| ZL-2501-125 | 80 | 112 | 125 | 16 | 5 | 20 | 100 | 17 | 4 | 4 | 610 | 1 |

| No. | Part Name | Material | Finish/Color |
|-----|------------------|---------------------|--------------|
| ① | Pull | 316 Stainless Steel | Zwei L |
| ② | Mounting Bracket | 316 Stainless Steel | Plain |

RECESSED PULL



RP



Installation

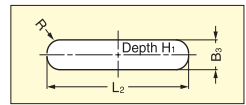
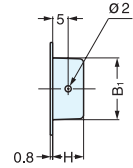
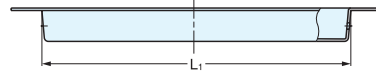
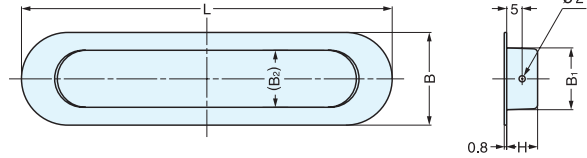
| Item No. | L | H | h | D | Weight (g) | Box (pcs) | Carton (pcs) |
|----------|-----------------|-----|----------------|------|------------|-----------|--------------|
| RP-30 | 30 (1-3/16") | 0.5 | 7.5 (19/64") | 27.5 | 4 | 100 | 3600 |
| RP-37 | 36 (1-27/64") | | 8.5 (21/64") | 31.5 | 6 | | |
| RP-45 | 46 (1-13/16") | | 41 | 9.5 | 2400 | | |
| RP-60 | 60 (2-23/64") | | 53.5 | 15 | 50 | 1200 | |
| RP-80 | 80 (3-5/32") | | 71 | 25.5 | 25 | 500 | |

| Material | Finish |
|---------------------|--------|
| 304 Stainless Steel | Satin |

RECESSED PULL



HN



Bore Dimensions

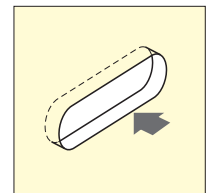
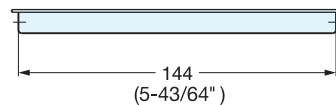
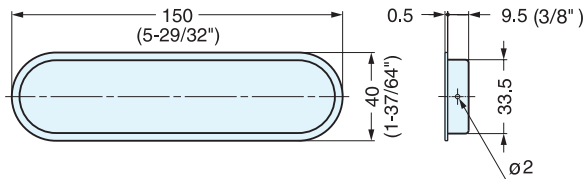
| Material | Finish |
|---------------------|--------|
| 304 Stainless Steel | Satin |

| Item No. | L | L ₁ | H | B | B ₁ | B ₂ | L ₂ | B ₃ | H ₁ | Weight (g) | Box (pcs) | Carton (pcs) |
|----------|----------------|----------------|---------------|---------------|----------------|----------------|------------------|----------------|----------------|------------|-----------|--------------|
| HN-120SH | 120 (4-23/32") | 100 | 10 (25/64") | 30 (1-3/16") | 20 (25/32") | 18.5 | 100.5 (3-61/64") | 20.5 (13/16") | 10.5 | 19 | 50 | 500 |
| HN-150SH | 150 (5-29/32") | 130 | 12 (15/32") | 35 (1-3/8") | 26 (1-1/32") | 24.5 | 130.5 (5-9/64") | 26.5 (1-3/64") | 12.5 | 27 | 20 | 200 |
| HN-200SH | 200 (7-7/8") | 170 | 13.2 (33/64") | 50 (1-31/32") | 36 (1-27/64") | 34.5 | 170.5 (6-23/32") | 36.5 (1-7/16") | 13.7 | 50 | 10 | 100 |
| HN-250SH | 250 (9-27/32") | 220 | | | | | 220.5 (8-11/16") | | | 92 | | |

RECESSED PULL



OP-150



Installation

| Item No. | Weight (g) | Box (pcs) | Carton (pcs) | Material | Finish |
|----------|------------|-----------|--------------|---------------------|--------|
| OP-150 | 30 | 30 | 720 | 304 Stainless Steel | Satin |

RECESSED PULL



3511, 3512 SERIES



3511038/SN



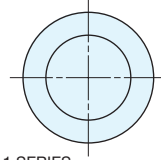
3511400/CR



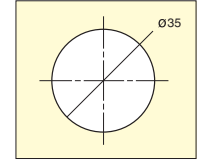
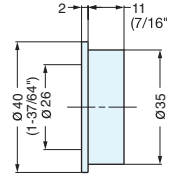
3512038/SN



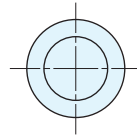
3512400/CR



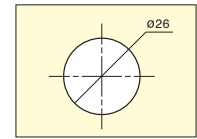
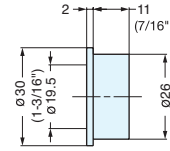
3511 SERIES



Bore Dimensions



3512 SERIES



Bore Dimensions

| Item No. | Weight (g) | Box (pcs) | Carton (pcs) |
|------------|------------|-----------|--------------|
| 3511038/SN | 27.1 | 25 | 250 |
| 3511400/CR | | | |
| 3512038/SN | 17.2 | 25 | 250 |
| 3512400/CR | | | |

| Material | Finish |
|------------|-------------------------------|
| Zinc Alloy | Satin Nickel (SN)/Chrome (CR) |

RECESSED PULL



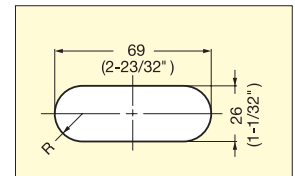
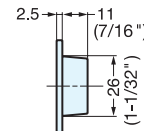
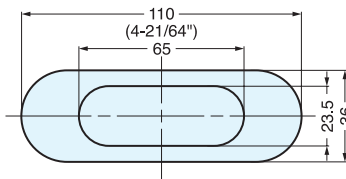
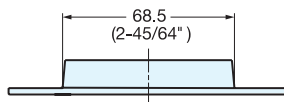
3922 SERIES



3922038/SN



3922400/CR



Bore Dimensions

| Item No. | Weight (g) | Box (pcs) | Carton (pcs) |
|------------|------------|-----------|--------------|
| 3922038/SN | 70.9 | 25 | 250 |
| 3922400/CR | | | |

| Material | Finish |
|------------|-------------------------------|
| Zinc Alloy | Satin Nickel (SN)/Chrome (CR) |

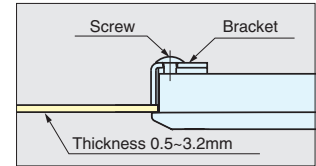
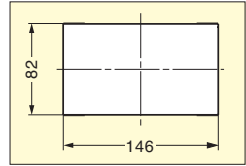
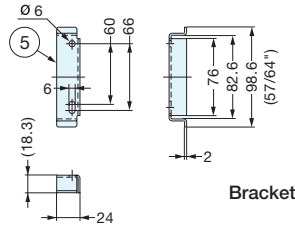
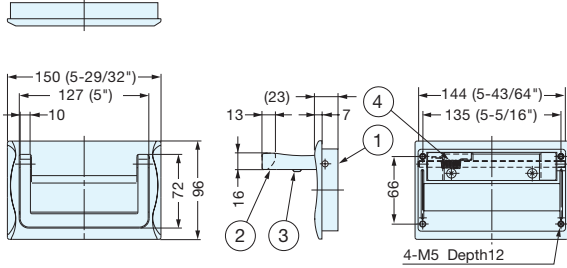
TRUNK HANDLE



HCT-150



- 316 Stainless steel handle is ideal for harsh and highly corrosive environments.
- The handle is recessed into the mounting plate keeping it flush with the mounting surface.
- Spring loaded: Folds and returns to flat position to stay out of the way when not in use.
- 90 degree stop feature.
- Back mounted. Includes bracket for sheet metal applications.



| No. | Part Name | Material | Finish |
|-----|-----------|---------------------|--------|
| ① | Body | 316 Stainless Steel | Mirror |
| ② | Handle | | |
| ③ | Bumper | Ethylene Propylene | Black |
| ④ | Spring | | - |
| ⑤ | Bracket | 316 Stainless Steel | Plain |

| Item No. | Material | Finish | Load Capacity (kg) | Load Capacity (lbs) | Weight (g) | Box (pcs) | Carton (pcs) |
|----------|---------------------|--------|--------------------|---------------------|------------|-----------|--------------|
| HCT-150 | 316 Stainless Steel | Mirror | 100 | 220 | 990 | 5 | 20 |

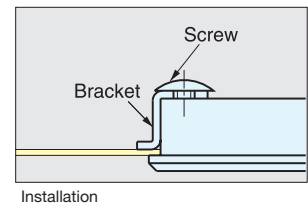
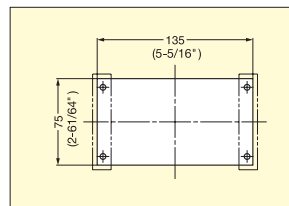
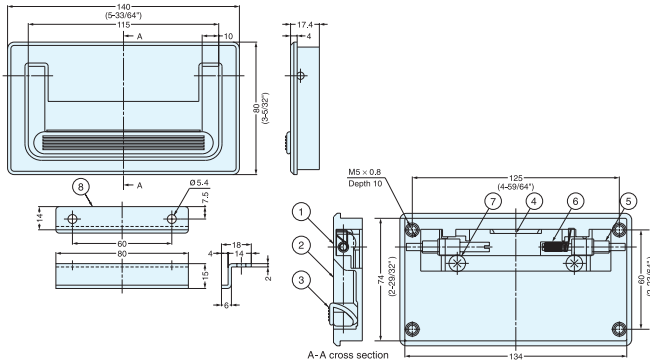
TRUNK HANDLE



MUD-140



- The handle is recessed into the mounting plate keeping it flush with the mounting surface.
- Spring loaded:
Folds and returns to flat position to stay out of the way when not in use.
- 90 degree stop feature.
- Rubber pad on handle provides an easy and comfortable grip.
- Back mounted. Includes bracket for sheet metal applications.



| No. | Part Name | Material | Finish/Color |
|-----|-----------|------------------|----------------------|
| ① | Body | Zinc Alloy | Chrome |
| ② | Handle | | |
| ③ | Grip | Synthetic Rubber | Black |
| ④ | Back Case | Steel | Yellow Zinc Chromate |
| ⑤ | Shaft | Zinc Alloy | |
| ⑥ | Spring | | |
| ⑦ | Screw | Steel | |
| ⑧ | Bracket | | |

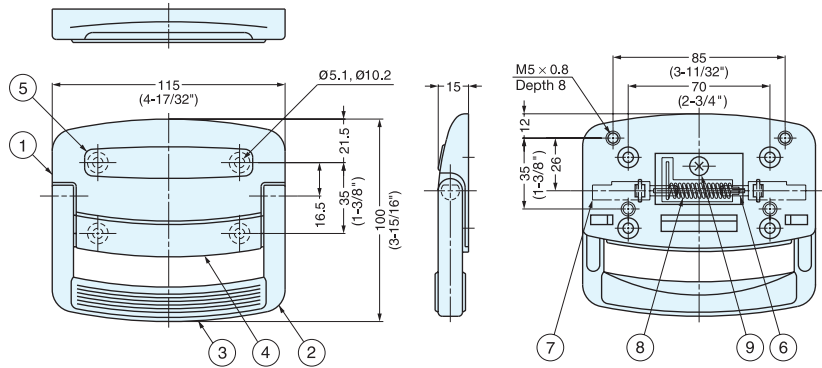
| Item No. | Load Capacity (kg) | Weight (g) | Box (pcs) | Carton (pcs) |
|----------|--------------------|------------|-----------|--------------|
| MUD-140 | 30 (66 lbs) | 620 | 5 | 20 |

TRUNK HANDLE

TEST 1
P.658



TMU-115



- Spring loaded trunk handle.
- Designed for both surface and back mount.
- Durable construction.
- Rubber pad on handle for good grip.

HANDLES, PULLS & KNOBS

TRUNK HANDLES

| Item No. | Load Capacity (kg) | Weight (g) | Box (pcs) | Carton (pcs) |
|----------|--------------------|------------|-----------|--------------|
| TMU-115 | 40 (80 lbs) | 460 | 10 | 40 |

| No. | Part Name | Material | Finish |
|-----|--------------|------------------|----------------------|
| ① | Body | Zinc Alloy | Chrome |
| ② | Handle | | |
| ③ | Grip | Synthetic Rubber | Black |
| ④ | Case Cover 1 | | |
| ⑤ | Case Cover 2 | Steel | Yellow Zinc Chromate |
| ⑥ | Back Case | | |
| ⑦ | Shaft | Steel | Yellow Zinc Chromate |
| ⑧ | Spring | Steel | |
| ⑨ | Screw | Steel | Yellow Zinc Chromate |

TRUNK HANDLE

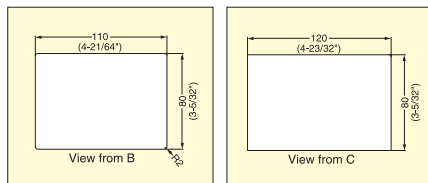
TEST 1
P.658



PT-148

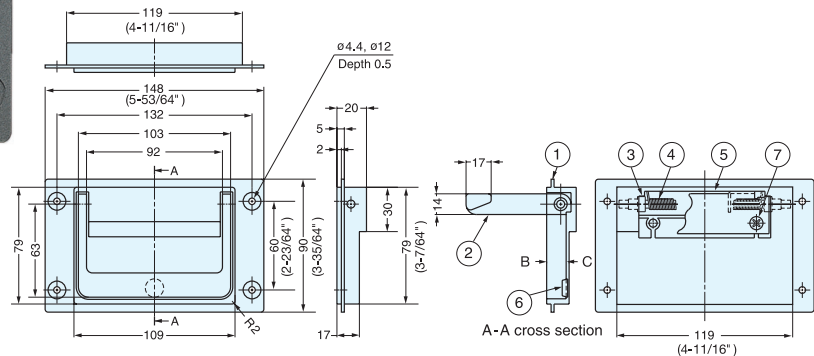


- Spring loaded trunk handle.
- Designed to be back mounted on sheet metal.



Cut Out Dimensions for back mount

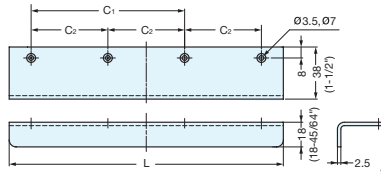
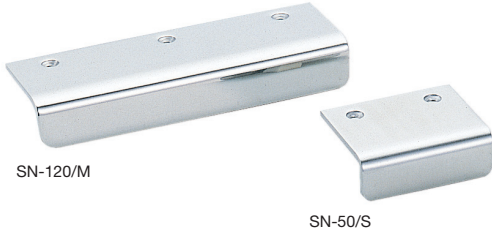
Cut Out Dimensions for surface mount



| No. | Part Name | Material | Finish |
|-----|-----------|------------------|----------------------|
| ① | Body | Zinc Alloy | Grey |
| ② | Handle | | |
| ③ | Shaft | Steel | Yellow Zinc Chromate |
| ④ | Spring | | |
| ⑤ | Back Case | Synthetic Rubber | Clear |
| ⑥ | Bumper | | |
| ⑦ | Screw | Steel | Chromate |

| Item No. | Load Capacity (kg) | Weight (g) | Box (pcs) | Carton (pcs) |
|----------|--------------------|------------|-----------|--------------|
| PT-148 | 50 (110 lbs) | 645 | 10 | 100 |

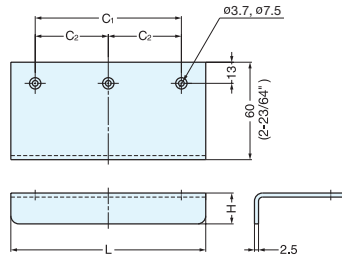
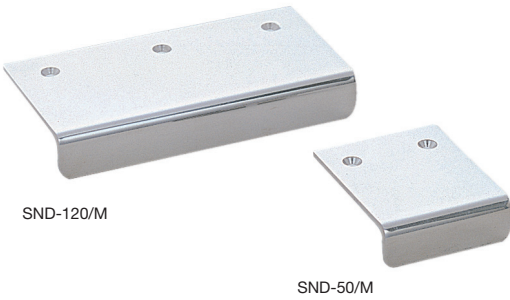
PULL



| Material | Finish |
|---------------------|-------------------------|
| 304 Stainless Steel | Mirror (M) Satin (S) |

| Item No. | L | C ₁ | C ₂ | Hole | Weight (g) | Box (pcs) | Carton (pcs) |
|----------|-------------------|------------------|----------------|------|------------|-----------|--------------|
| SN- 50/M | 50 (1-31/32") | 30 (1-3/16") | - | 2 | 47 | 40 | 400 |
| SN- 70/M | 70 (2-3/4") | 46 (1-13/16") | - | | 65 | 30 | 300 |
| SN- 95/M | 95 (3-47/64") | 65 (2-9/16") | - | | 90 | 20 | 200 |
| SN-120/M | 120 (4-23/32") | 90 (3-35/64") | 45 | 3 | 112 | 15 | 150 |
| SN-150/M | 150 (5-29/32") | 114 (4-31/64") | 57 | | 147 | | |
| SN-200/M | 200 (7-7/8") | 112 (4-13/32") | 56 | 4 | 200 | 15 | 60 |
| SN-300/M | 300 (11-13/16") | 180 (7-3/32") | 90 | | 300 | 10 | 40 |

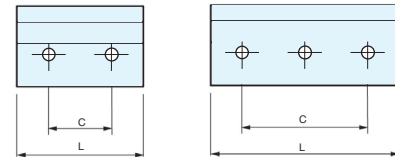
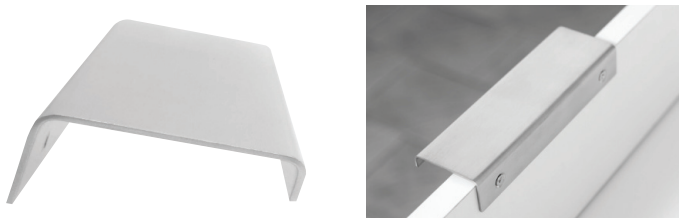
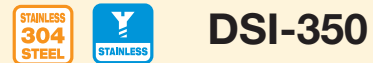
PULL



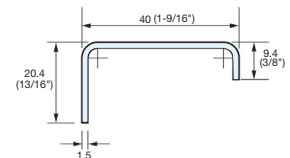
| Material | Finish |
|---------------------|--------|
| 304 Stainless Steel | Mirror |

| Item No. | L | C ₁ | C ₂ | H | Weight (g) | Box (pcs) | Carton (pcs) |
|-----------|------------------|------------------|----------------|---------------|------------|-----------|--------------|
| SND- 50/M | 50 (1-31/32") | 30 (1-3/16") | - | 17 (43/64") | 67 | 10 | 200 |
| SND- 70/M | 70 (2-3/4") | 46 (1-13/16") | - | | 95 | | |
| SND- 95/M | 95 (3-47/64") | 65 (2-9/16") | - | 18 (45/64") | 130 | 5 | 100 |
| SND-120/M | 120 (4-23/32") | 90 (3-35/64") | 45 | | 166 | | |
| SND-150/M | 150 (5-29/32") | 114 (4-31/64") | 57 | 19 (3/4") | 208 | | 50 |

PULL



| Item No. | C | L | Weight (g) | Box (pcs) | Carton (pcs) |
|-------------|------------------|------------------|------------|-----------|--------------|
| DSI-350-16 | 16 (5/8") | 32 (1-1/4") | 22 | 25 | 250 |
| DSI-350-64 | 64 (2-1/2") | 96 (3-25/32") | 66 | | |
| DSI-350-96 | 96 (3-25/32") | 128 (5-1/16") | 88 | | |
| DSI-350-128 | 128 (5-1/16") | 160 (6-5/16") | 110 | | |
| DSI-350-160 | 160 (6-5/16") | 192 (7-9/16") | 132 | 10 | 100 |
| DSI-350-192 | 192 (7-9/16") | 224 (8-13/16") | 154 | | |
| DSI-350-224 | 224 (8-13/16") | 256 (10-1/16") | 176 | | |
| DSI-350-256 | 256 (10-1/16") | 352 (13-7/8") | 240 | | |
| DSI-350-352 | 352 (13-7/8") | 544 (21-7/16") | 374 | | |

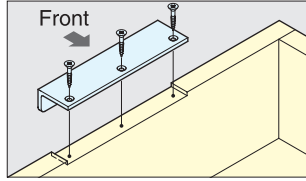
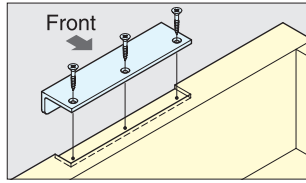
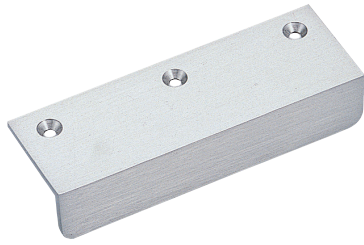


| Material | Finish |
|---------------------|--------|
| 304 Stainless Steel | Satin |

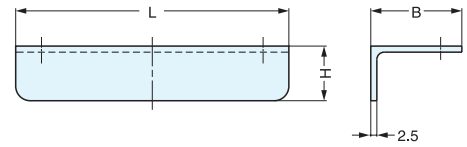
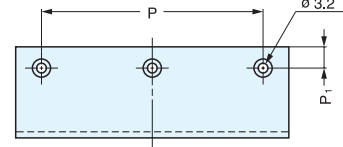
PULL



AG



Installation

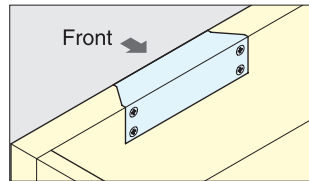
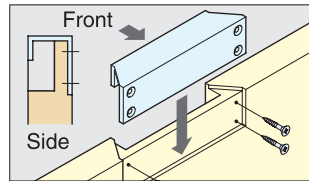
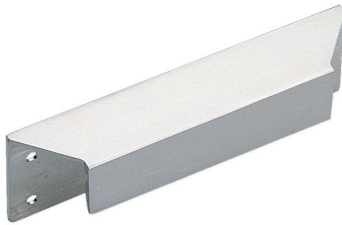


| Item No | L | H | P | P ₁ | B | Holes | Box (pcs) | Carton (pcs) | Material | Finish |
|---------|----|----|----|----------------|----|-------|-----------|--------------|----------|--------------|
| AG-A405 | 46 | 18 | 29 | 7 | 30 | 2 | 120 | 480 | Brass | Satin Nickel |
| AG-A402 | 90 | | 73 | | | 3 | 70 | 280 | | |

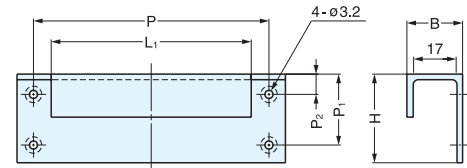
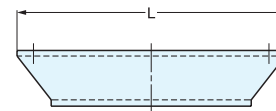
PULL



CN



Installation



| Item No | L | L ₁ | H | P | P ₁ | P ₂ | B | Box (pcs) | Carton (pcs) | Material | Finish |
|---------|-----|----------------|----|-----|----------------|----------------|----|-----------|--------------|----------|--------------|
| CN-A362 | 106 | 76 | 36 | 93 | 28 | 8 | 22 | 28 | 280 | Brass | Satin Nickel |
| CN-A360 | 137 | 107 | 36 | 123 | 28 | 8 | 22 | 16 | 64 | | |

PULL



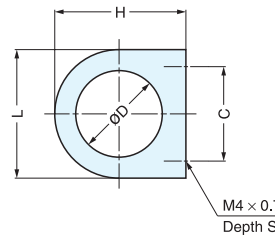
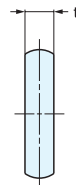
DR



Mirror



Satin



M4 x 0.7
Depth S

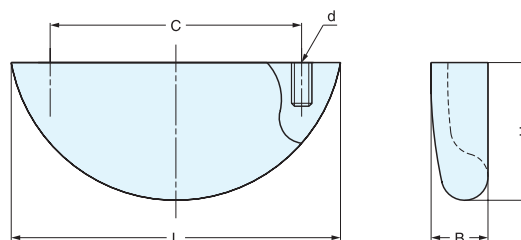
| Material | Finish |
|---------------------|-------------------------|
| 304 Stainless Steel | Mirror (M) Satin (S) |

| Item No. | L | C | H | t | D | S | Weight (g) | Box (pcs) | Carton (pcs) |
|----------|--------|-----------------|------------|-----------------|-----|------|------------|-----------|--------------|
| DR-S/M | DR-S/S | 24.5 (31/32") | 18(45/64") | 25 (63/64") | 5.5 | 16.5 | 5 | 10 | 80 |
| DR-L/M | DR-L/S | 30.5(1-13/64") | 21(53/64") | 31.5 (1-15/64") | 6.5 | 20.5 | 6 | 22 | 50 |

PULL



RD

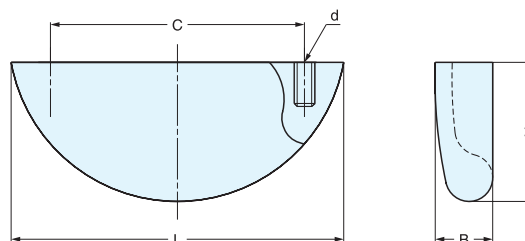


| Item No. | L | C | H | B | d | Weight (g) | Box (pcs) | Carton (pcs) | Material | Finish |
|----------|---------------|---------------|----------------|------|----------|------------|-----------|--------------|---------------------|--------|
| RD-55/SM | 55 (2-11/64") | 42 (1-21/32") | 23 (29/32") | 9.5 | M4 × 0.7 | 50 | 30 | 360 | 316 Stainless Steel | Mirror |
| RD-90/SM | 90 (3-35/64") | 74 (2-29/32") | 25.5 (1-1/64") | 10.5 | M4 × 0.7 | 80 | 20 | 240 | | |

PULL



RD



Please specify the finish when ordering

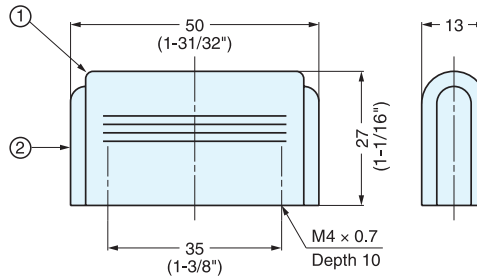
| Material | Finish |
|------------|--|
| Zinc Alloy | Smoke (SMK), Satin Nickel (SN) Polished Chrome (CR) Satin Brass (SB) |

| Item No. | L | C | H | B | d | Weight (g) | Box (pcs) | Carton (pcs) | Screw |
|----------|----------------|----------------|----------------|------|----------|------------|-----------|--------------|---------|
| RD-45 | 45 (1-25/35") | 32 (1-17/64") | 19 (3/4") | 8 | M3 × 0.5 | 22 | 40 | 480 | M3 × 25 |
| RD-55 | 55 (2-5/35") | 42 (1-21/32) | 23 (29/32") | 9.5 | M4 × 0.7 | 35 | 30 | 360 | M4 × 28 |
| RD-90 | 90 (3-35/64") | 74 (2-29/32") | 25.5 (1-1/64") | 10.5 | | 63 | 20 | 240 | |

PULL



FS-04/S

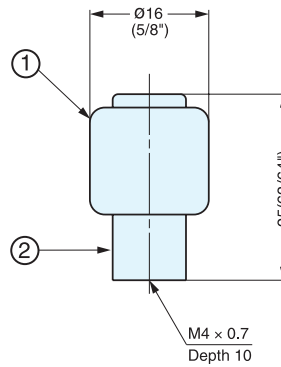


| Item No. | Weight (g) | Box (pcs) | Carton (pcs) | No. | Material | Finish |
|----------|------------|-----------|--------------|-----|------------------------|--------|
| FS-04/S | 28 | 30 | 300 | ① | Black Synthetic Rubber | Black |
| | | | | ② | Aluminum | Silver |

PULL



FS-06/S

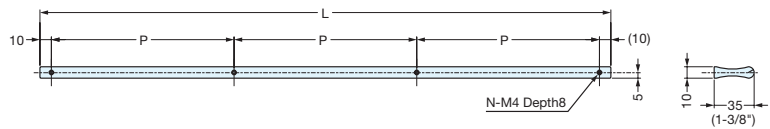
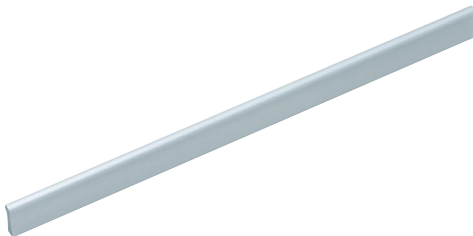


| Item No. | Weight (g) | Box (pcs) | Carton (pcs) | No. | Material | Finish |
|----------|------------|-----------|--------------|-----|------------------------|--------|
| FS-06/S | 6 | 30 | 300 | ① | Black Synthetic Rubber | Black |
| | | | | ② | Aluminum | Silver |

PULL



AOT35

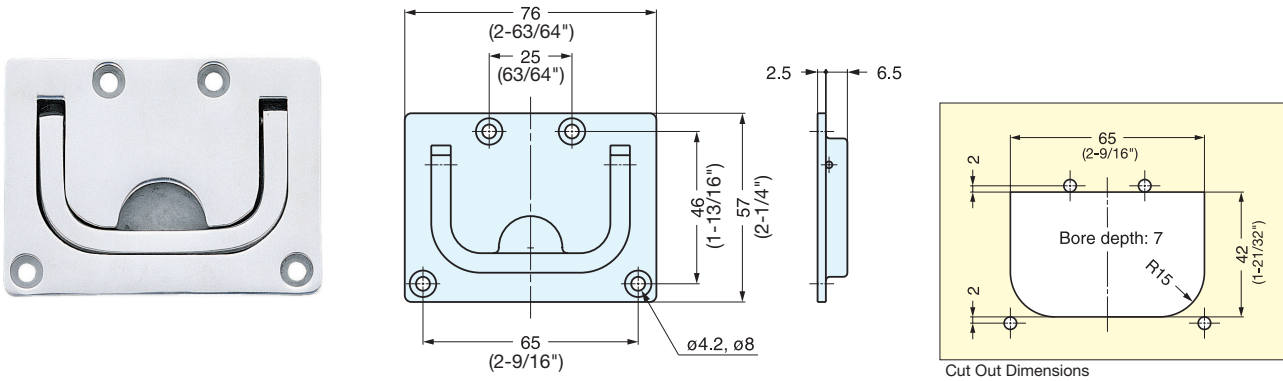


| Item No. | L | P | Weight (g) | Box (pcs) | Carton (pcs) | Material | Finish |
|-----------|-----------------|---------------|------------|-----------|--------------|----------|---------|
| AOT35-180 | 180 (7-3/32") | 160 (6-5/16") | 129 | 100 | 1000 | Aluminum | Alumite |
| AOT35-340 | 340 (13-3/8") | | 243 | 50 | 500 | | |
| AOT35-500 | 500 (19-11/16") | | 358 | 30 | 300 | | |

FOLDING RING PULL



26700



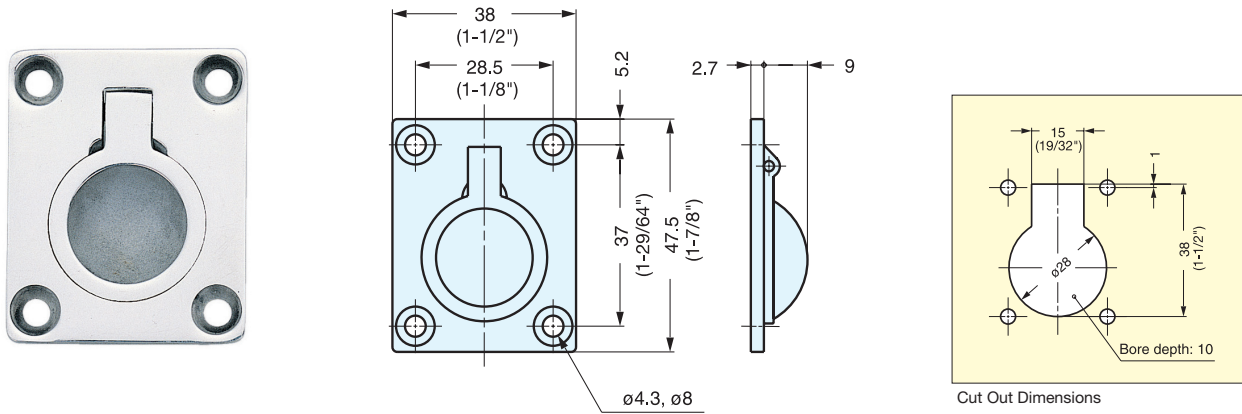
| Item No. | Weight (g) | Box (pcs) | Carton (pcs) |
|----------|------------|-----------|--------------|
| 26700 | 120 | 20 | 100 |

| Material | Finish |
|---------------------|----------|
| 316 Stainless Steel | Polished |

FOLDING RING PULL



26900



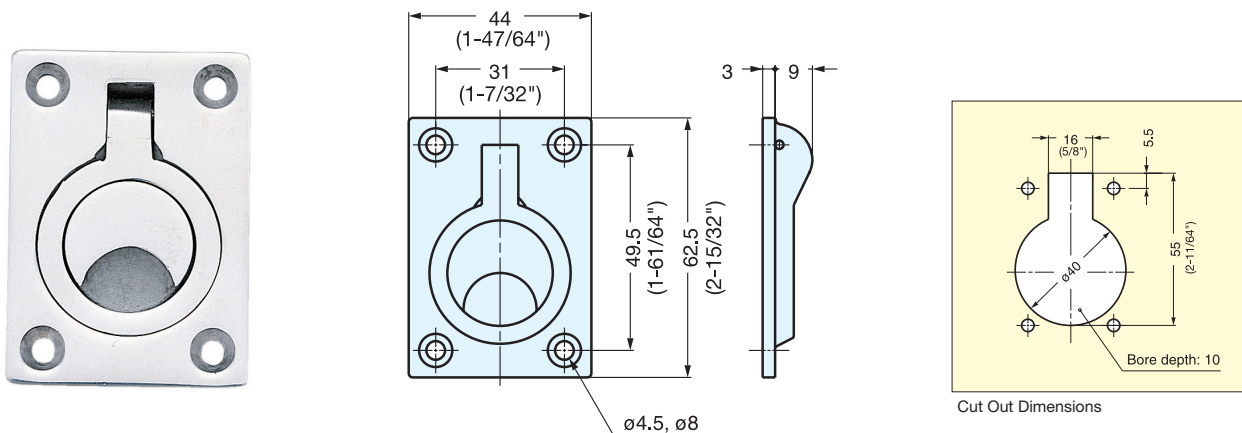
| Item No. | Weight (g) | Box (pcs) | Carton (pcs) |
|----------|------------|-----------|--------------|
| 26900 | 45 | 20 | 100 |

| Material | Finish |
|---------------------|----------|
| 316 Stainless Steel | Polished |

FOLDING RING PULL



26901



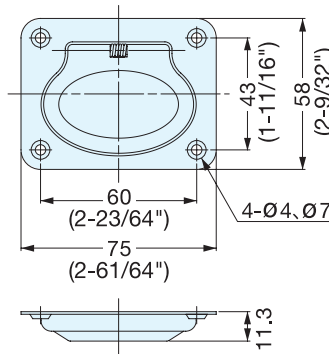
| Item No. | Weight (g) | Box (pcs) | Carton (pcs) |
|----------|------------|-----------|--------------|
| 26901 | 85 | 20 | 100 |

| Material | Finish |
|---------------------|----------|
| 316 Stainless Steel | Polished |

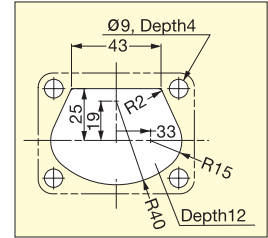
FOLDING RING PULL (SPRING LOADED)



980643



- The pull is recessed into the mounting plate keeping it flush with the mounting surface.
- Low profile design.
- Spring loaded-snaps flat to stay out of the way when not in use.
- Ideal for vibration or shock applications.



| Item No. | Weight (g) | Box (pcs) | Carton (pcs) |
|----------|------------|-----------|--------------|
| 980643 | 51 | 10 | 200 |

| Material | Finish |
|---------------------|----------|
| 304 Stainless Steel | Polished |

FOLDING RING PULL (SPRING LOADED)



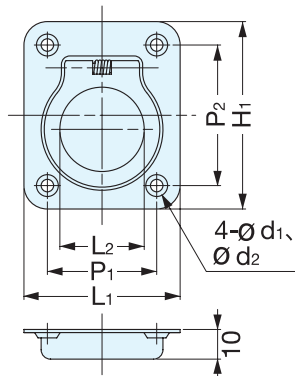
980641, 980642



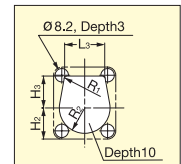
980642



980641



- The pull is recessed into the mounting plate keeping it flush with the mounting surface.
- Low profile design.
- Spring loaded-snaps flat to stay out of the way when not in use.
- Ideal for vibration or shock applications.



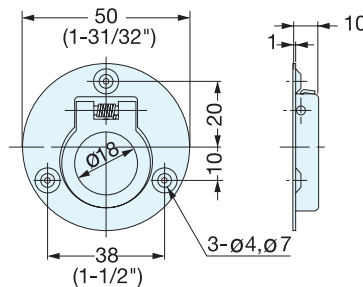
| Material | Finish |
|---------------------|----------|
| 304 Stainless Steel | Polished |

| Item No. | L1 | L2 | L3 | H1 | H2 | H3 | R1 | ØR2 | P1 | P2 | d1 | d2 | Weight(g) | Box (pcs) | Carton (pcs) |
|----------|----|----|------|----|----|------|------|-----|--------------|---------------|-----|-----|-----------|-----------|--------------|
| 980641 | 38 | 18 | 24.5 | 44 | 19 | 19.5 | 14.2 | 31 | 28 (1-7/64") | 34 (1-11/32") | 3.6 | 6.2 | 21 | 10 | 500 |
| 980642 | 50 | 27 | 25 | 60 | 25 | 25 | 19.5 | 41 | 35 (1-3/8") | 45 (1-25/32") | 4 | 7 | 36 | 10 | 200 |

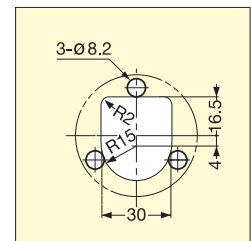
FOLDING RING PULL (SPRING LOADED)



980640



- The pull is recessed into the mounting plate keeping it flush with the mounting surface.
- Low profile design.
- Spring loaded-snaps flat to stay out of the way when not in use.
- Ideal for vibration or shock applications.



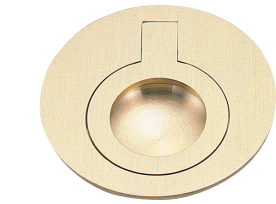
| Item No. | Weight (g) | Box (pcs) | Carton (pcs) |
|----------|------------|-----------|--------------|
| 980640 | 23 | 10 | 300 |

| Material | Finish |
|---------------------|----------|
| 304 Stainless Steel | Polished |

FOLDING RING PULL



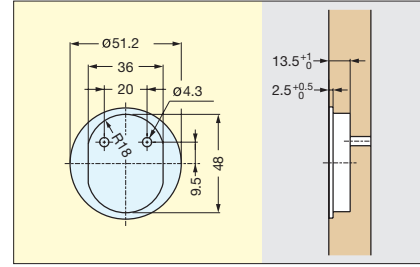
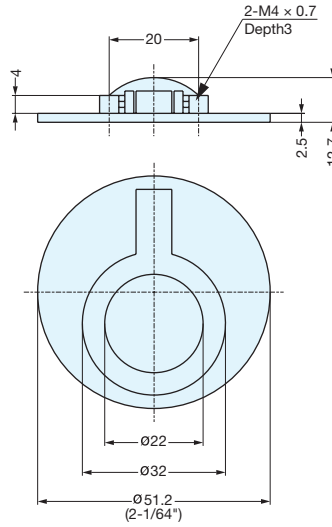
580



Satin Brass (SB)



Satin Nickel (WB)



Cut Out Dimensions

| Item No. | Weight (g) | Box (pcs) | Carton (pcs) |
|----------|------------|-----------|--------------|
| 580-WB | 62 | 50 | 500 |
| 580-SB | | | |

| Material | Finish |
|----------|-------------------------------------|
| Brass | Satin Nickel (WB), Satin Brass (SB) |

FOLDING RING PULL



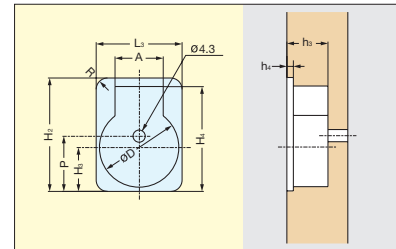
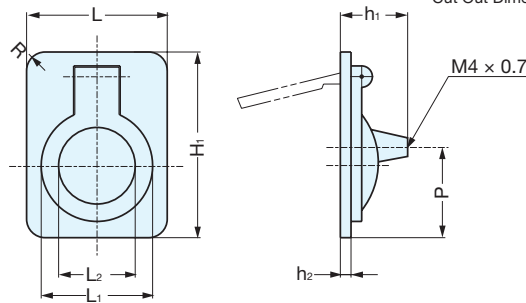
587



Satin Brass (SB)



Satin Nickel (WB)



Cut Out Dimensions

| Material | Finish |
|----------|-------------------------------------|
| Brass | Satin Nickel (WB), Satin Brass (SB) |

| Item No. | L | L ₁ | L ₂ | H ₁ | h ₁ | h ₂ | P | L ₃ | H ₂ | H ₃ | H ₄ | A | D | h ₃ | h ₄ | R | Weight (g) | Box (pcs) | Carton (pcs) |
|----------|------|----------------|----------------|----------------|----------------|----------------|------|----------------|----------------|----------------|----------------|----|------|----------------|----------------|-----|------------|-----------|--------------|
| 587-40WB | 30.5 | 24 | 16.5 | 40.3 | 13.6 | 2 | 20.6 | 30.5 | 40.3 | 16 | 39 | 18 | 28 | 15 | 2 | 4 | 28 | 100 | 1000 |
| 587-40SB | 30.5 | 24 | 16.5 | 40.3 | 13.6 | 2 | 20.6 | 30.5 | 40.3 | 16 | 39 | 18 | 28 | 15 | 2 | 4 | | | |
| 587-50WB | 38 | 30.5 | 21 | 51 | 14 | 2.5 | 25.5 | 38 | 51 | 21 | 48.5 | 21 | 35 | 15 | 2.5 | 6 | 54 | 50 | 500 |
| 587-50SB | 38 | 30.5 | 21 | 51 | 14 | 2.5 | 25.5 | 38 | 51 | 21 | 48.5 | 21 | 35 | 15 | 2.5 | 6 | | | |
| 587-60WB | 47.5 | 36 | 24.5 | 60 | 15.5 | 2.5 | 30 | 47.5 | 60 | 23.5 | 55 | 21 | 41.5 | 16.5 | 2.5 | 6.5 | 80 | | |
| 587-60SB | 47.5 | 36 | 24.5 | 60 | 15.5 | 2.5 | 30 | 47.5 | 60 | 23.5 | 55 | 21 | 41.5 | 16.5 | 2.5 | 6.5 | | | |

FOLDING RING PULL



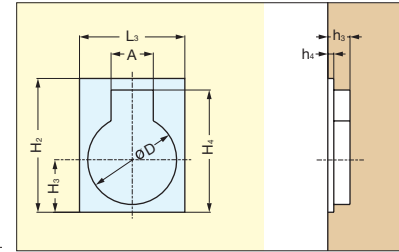
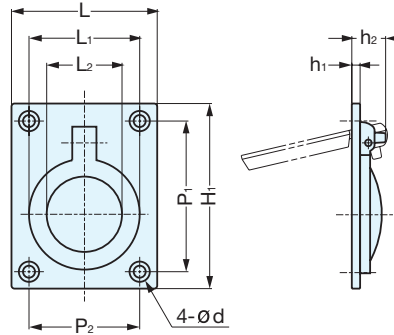
587B



Satin Brass (SB)



Satin Nickel (WB)



Cut Out Dimensions

| Item No. | L | L ₁ | L ₂ | H ₁ | P ₁ | P ₂ | P ₃ | d | h ₁ | h ₂ | L ₃ | H ₂ | H ₃ | H ₄ | H ₅ | A | D | h ₃ | h ₄ | Weight (g) | Material | | Finish | |
|-----------|------|----------------|----------------|----------------|----------------|----------------|----------------|-----|----------------|----------------|----------------|----------------|----------------|----------------|----------------|----|------|----------------|----------------|------------|----------|-------------------------------------|-----------|-------------------------------------|
| | | | | | | | | | | | | | | | | | | | | | Brass | Satin Nickel (WB), Satin Brass (SB) | Box (pcs) | Carton (pcs) |
| 587B-40WB | 30.5 | 24 | 16.5 | 40.3 | 32 | 22 | 11.85 | 3.5 | 2 | 11 | 30.5 | 40.3 | 16 | 39 | 32 | 18 | 28 | 13 | 2 | 28 | 100 | 1000 | Brass | Satin Nickel (WB), Satin Brass (SB) |
| 587B-40SB | 30.5 | 24 | 16.5 | 40.3 | 32 | 22 | 11.85 | 3.5 | 2 | 11 | 30.5 | 40.3 | 16 | 39 | 32 | 18 | 28 | 13 | 2 | 28 | | | | |
| 587B-50WB | 38 | 30.5 | 21 | 51 | 41 | 28 | 15.5 | 4 | 2.5 | 12.7 | 38 | 51 | 21 | 48.5 | 41 | 21 | 35 | 15 | 2.5 | 54 | 50 | 500 | Brass | Satin Nickel (WB), Satin Brass (SB) |
| 587B-50SB | 38 | 30.5 | 21 | 51 | 41 | 28 | 15.5 | 4 | 2.5 | 12.7 | 38 | 51 | 21 | 48.5 | 41 | 21 | 35 | 15 | 2.5 | 54 | | | | |
| 587B-60WB | 47.5 | 36 | 24.5 | 60 | 49 | 36 | 18 | 4 | 2.5 | 13 | 47.5 | 60 | 23.5 | 55 | 49 | 21 | 41.5 | 14 | 2.5 | 80 | | | | |
| 587B-60SB | 47.5 | 36 | 24.5 | 60 | 49 | 36 | 18 | 4 | 2.5 | 13 | 47.5 | 60 | 23.5 | 55 | 49 | 21 | 41.5 | 14 | 2.5 | 80 | | | | |

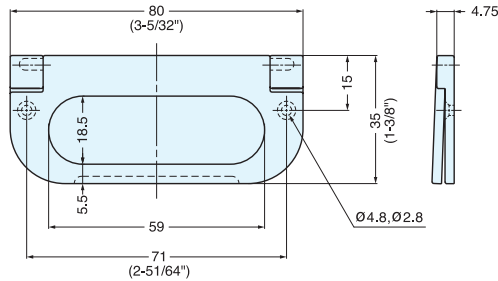
FOLDING RING PULL



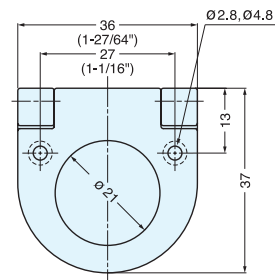
3261, 3262 SERIES



3262200/SN



3261500/SN



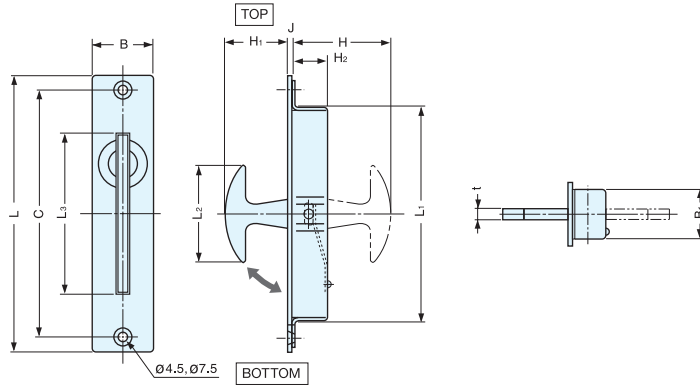
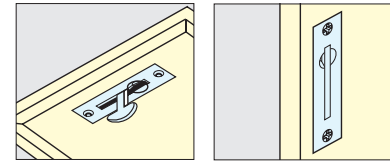
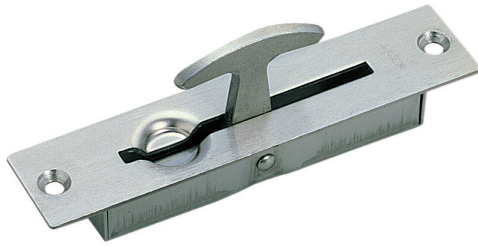
3262200/SN

| Item No. | Weight (g) | Box (pcs) | Carton (pcs) | Material | Finish |
|------------|------------|-----------|--------------|------------|--------------|
| 3261500/SN | 49.3 | 25 | 250 | Zinc Alloy | Satin Nickel |
| 3262200/SN | 26 | | 600 | | |

HATCH PULL



ST-90, 115



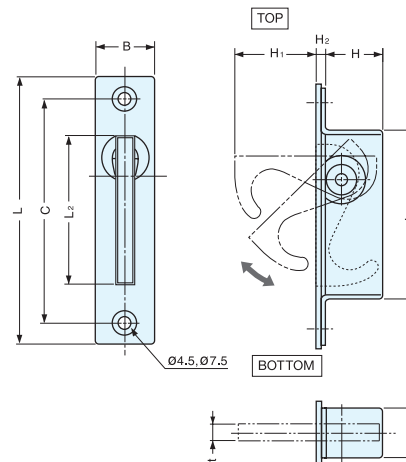
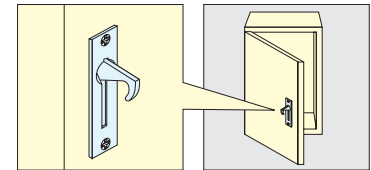
| Item No. | L | L ₁ | L ₂ | L ₃ | H | H ₁ | H ₂ | J | B | B ₁ | t | C | Material | Finish |
|----------|----------------|----------------|----------------|----------------|------|----------------|----------------|-----|-------------|----------------|-----|---------------|---------------------|--------|
| ST- 90 | 90 (3-35/64") | 66.2 | 30.2 | 57 | 35.5 | 23.2 | 10.5 | 2.2 | 22 (55/64") | 18.5 | 3.8 | 80 (3-5/32") | 304 Stainless Steel | Satin |
| ST-115 | 115 (4-17/32") | 86.2 | 40 | 67 | 42 | 26 | 13 | 2.5 | 25 (63/64") | 20 | 4 | 102 (4-1/64") | | |

| Item No. | Weight (g) | Box (pcs) | Carton (pcs) | Screw |
|----------|------------|-----------|--------------|----------|
| ST- 90 | 68 | 30 | 300 | 3.5 × 22 |
| ST-115 | 102 | 20 | 200 | 3.5 × 25 |

HATCH PULL



ST-80, 100



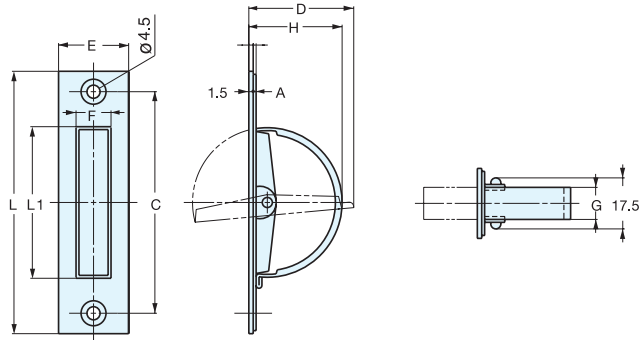
| Item No. | L | L ₁ | L ₂ | H | H ₁ | H ₂ | B | B ₁ | t | C | Material | Finish |
|----------|------------------|----------------|----------------|----|----------------|----------------|-------------|----------------|---|---------------|---------------------|--------|
| ST- 80 | 80 (3-9/64") | 50 | 44 | 18 | 25 | | 18 (45/64") | | | 68 (2-43/64") | 304 Stainless Steel | Satin |
| ST-100 | 100 (3-15/16") | 63 | 54 | 21 | 32 | 2 | 20 (25/32") | 15 | 5 | 85 (3-11/32") | | |

| Item No. | Weight (g) | Box (pcs) | Carton (pcs) | Screw |
|----------|------------|-----------|--------------|----------|
| ST- 80 | 48 | 30 | 300 | 3.5 × 16 |
| ST-100 | 66 | 20 | 200 | 3.5 × 20 |

HATCH PULL



HR



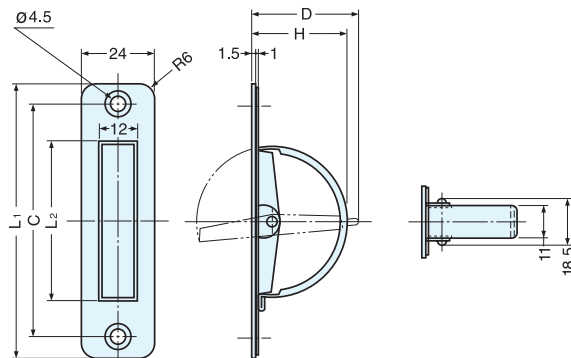
| Item No. | L | L ₁ | C | H | D | A | E | F | G | Material | Finish |
|----------|----------------|----------------|-----|----|----|-----|-------------|------|----|---------------------|--------|
| HR- 90 | 90 (3-35/64") | 52 (2-3/64") | 76 | 32 | 36 | 1 | 24 (15/16") | 12 | 11 | 304 Stainless Steel | Satin |
| HR-110 | 110 (4-21/64") | 64 (2-33/64") | 94 | 38 | 42 | | | | | | |
| HR-135 | 135 (5-5/16") | 90 (3-35/64") | 115 | 50 | 55 | 1.2 | 25 (63/64") | 12.2 | 12 | | |

| Item No. | Load Capacity (kg) | Weight (g) | Box (pcs) | Carton (pcs) | Screw |
|----------|--------------------|------------|-----------|--------------|----------|
| HR- 90 | 13 (28 lbs) | 49 | 30 | 300 | 3.5 × 22 |
| HR-110 | 10 (22 lbs) | 59 | 20 | 200 | 3.5 × 25 |
| HR-135 | - | 88 | 15 | 150 | |

HATCH PULL



HR-R



| Item No. | L ₁ | L ₂ | C | H | D | Load Capacity (kg) | Weight (g) | Box (pcs) | Carton (pcs) | Material | Finish |
|----------|----------------|----------------|---------------|----|----|--------------------|------------|-----------|--------------|---------------------|--------|
| HR- 90R | 90 (3-35/64") | 52 | 76 (2-63/64") | 32 | 36 | 13 (28 lbs) | 46 | 30 | 300 | 304 Stainless Steel | Satin |
| HR-110R | 110 (4-21/64") | 64 | 94 (3-45/64") | 38 | 42 | 10 (22 lbs) | 55 | 20 | 200 | | |



LEVER PULL

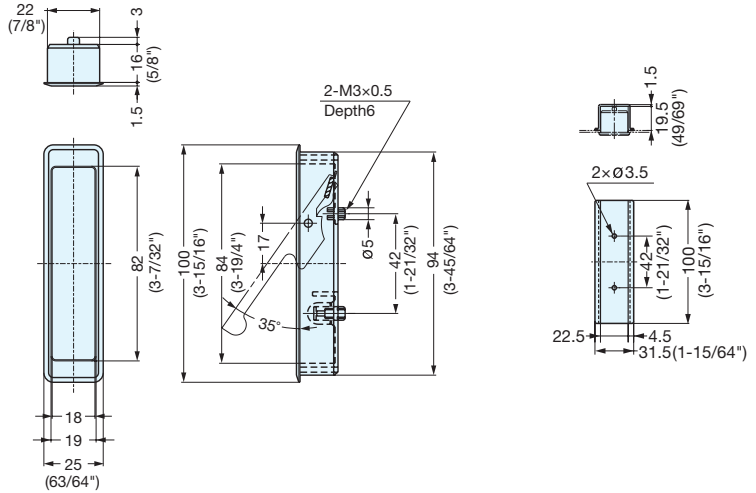
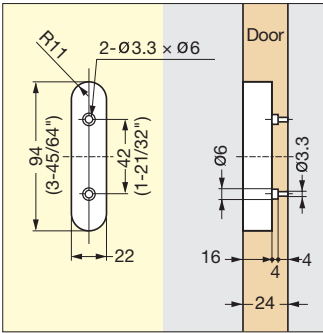
FH-100AK, FH-100BK

HANDLES, PULLS & KNOBS

LEVER PULLS



- FH-100AK-00 has detent to hold lever open or closed.
- FH-100BK-00 has spring to return lever to the closed position.
- Both models have rubber bumper inside to reduce noise when closing.
- Includes 1/2" long screws (M3 x 12).



| Item No. | Weight (g) | Box (pcs) | Carton (pcs) | Part | Material | Finish |
|-------------|------------|-----------|--------------|--------|------------|-----------------|
| FH-100AK-00 | 100 | 12 | 72 | Case | Zinc Alloy | Polished Nickel |
| FH-100BK-00 | | | | Handle | | Satin Nickel |

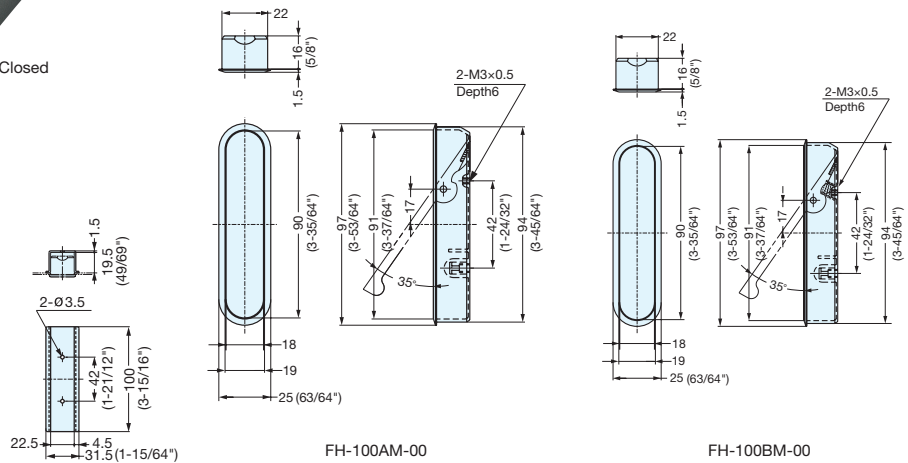
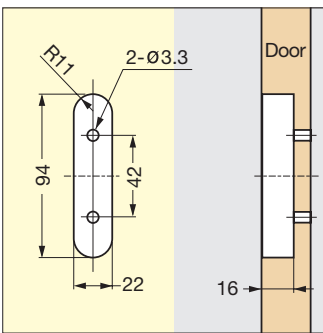
LEVER PULL



FH-100AM, FH-100BM



- FH-100AM-00 has detent to hold lever open or closed.
- FH-100BM-00 has spring to return lever to the closed position.
- Both models have rubber bumper inside to reduce noise when closing.
- Includes 1/2" long screws (M3 x 12).



| Item No. | Weight (g) | Box (pcs) | Carton (pcs) | Part | Material | Finish |
|-------------|------------|-----------|--------------|--------|------------|-----------------|
| FH-100AM-00 | 103.5 | 12 | 72 | Case | Zinc Alloy | Polished Nickel |
| FH-100BM-00 | | | | Handle | | Satin Nickel |

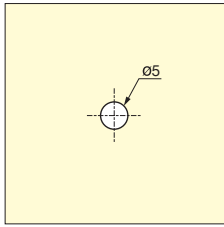
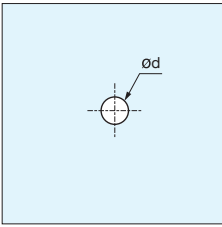
ZweiL Knob



ZL-1906

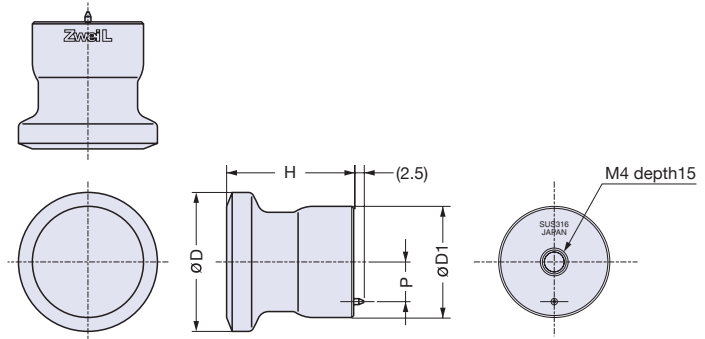


- For use with wood or tempered glass.
- Non-handed.
- Anti-rotation pin is removable.
- Includes stainless steel screws.



Glass Thickness:
4 or 5 mm, d = 5
6 mm, d = 6

Wood Panel



| Item No. | Material | Finish/Color | H | D | D ₁ | P | Weight (g) | Box (pcs) |
|------------|---------------------|--------------|----------------|-----------------|----------------|----|------------|-----------|
| ZL-1906-20 | 316 Stainless Steel | Zwei L | 20 (25/32") | 20 (25/32") | 16 | 5 | 32 | 1 |
| ZL-1906-28 | | | 26 (1-1/32") | 28 (1-3/32") | 22.5 | 8 | 83 | |
| ZL-1906-36 | | | 32 (1-1/4") | 36 (1-13/32") | 28 | 10 | 165 | |

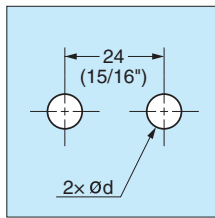
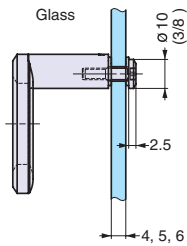
ZweiL Knob



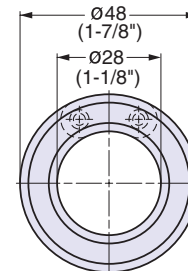
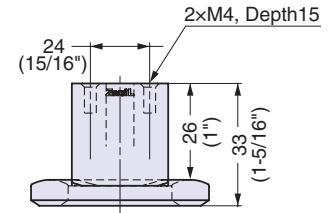
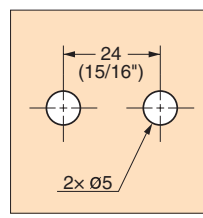
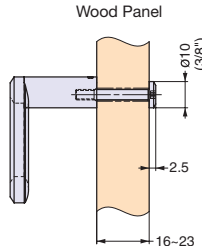
ZL-1909



- For use with wood or tempered glass.
- Non-handed.
- Anti-rotation pin is removable.
- Includes stainless steel screws.



Glass Thickness:
4 or 5 mm, d = 5
6 mm, d = 6



| Item No. | Material | Finish/Color | Weight (g) | Box (pcs) |
|----------|---------------------|--------------|------------|-----------|
| ZL-1909 | 316 Stainless Steel | Zwei L | 97 | 1 |

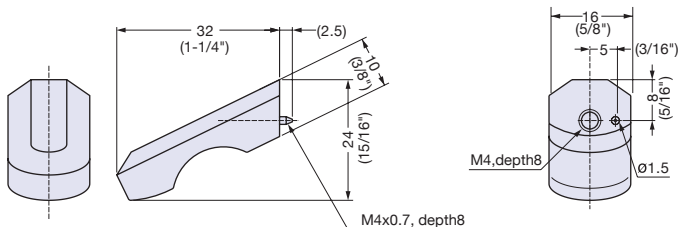
ZweiL Knob



ZL-1901



- Anti-rotation pin is removable.
- Includes 1" long stainless steel screw (M4 x 25).



| Item No. | Material | Finish/Color | Weight (g) | Box (pcs) |
|----------|---------------------|--------------|------------|-----------|
| ZL-1901 | 316 Stainless Steel | Zwei L | 34 | 8 |

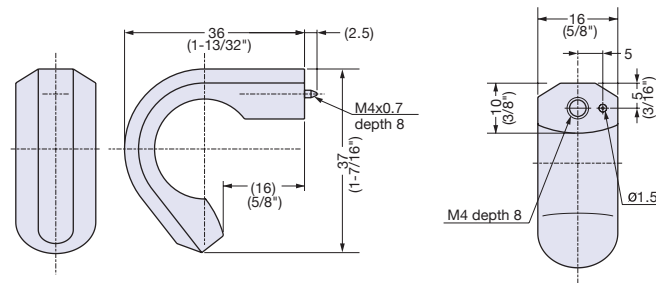
ZweiL Knob



ZL-1902



- Anti-rotation pin is removable.
- Includes 1" long stainless steel screw (M4 x 25).



| Item No. | Material | Finish/Color | Weight (g) | Box (pcs) |
|----------|---------------------|--------------|------------|-----------|
| ZL-1902 | 316 Stainless Steel | Zwei L | 52 | 8 |

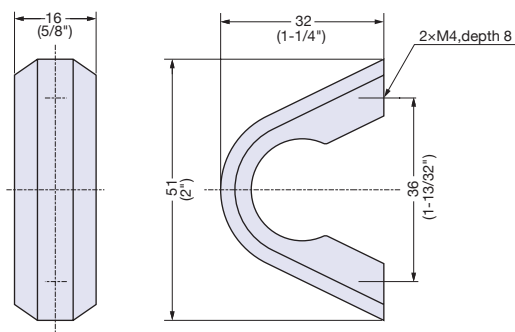
ZweiL Knob



ZL-1903



- Includes 1" long stainless steel screw (M4 x 25).



| Item No. | Material | Finish/Color | Weight (g) | Box (pcs) |
|----------|---------------------|--------------|------------|-----------|
| ZL-1903 | 316 Stainless Steel | Zwei L | 58 | 8 |

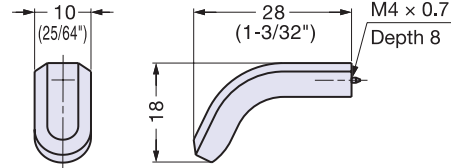
ZweiL Knob



ZL-1904



- Anti-rotation pin is removable.
- Includes 1" long stainless steel screw (M4 x 25).



| Item No. | Material | Finish/Color | Weight (g) | Box (pcs) |
|----------|---------------------|--------------|------------|-----------|
| ZL-1904 | 316 Stainless Steel | Zwei L | 12 | 8 |

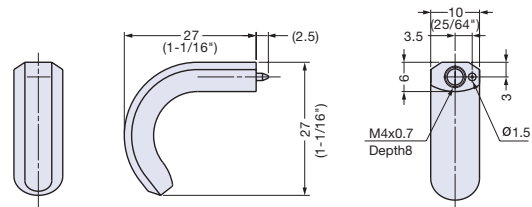
ZweiL Knob



ZL-1905



- Anti-rotation pin is removable.
- Includes 1" long stainless steel screw (M4 x 25).



| Item No. | Material | Finish/Color | Weight (g) | Box (pcs) |
|----------|---------------------|--------------|------------|-----------|
| ZL-1905 | 316 Stainless Steel | Zwei L | 15 | 8 |

ZweiL Knob Base



ZL-2302

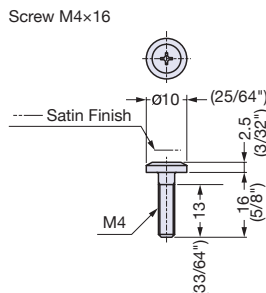
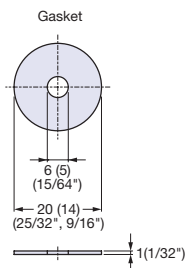
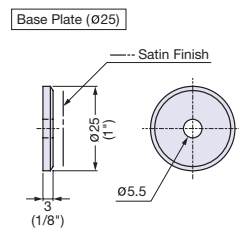
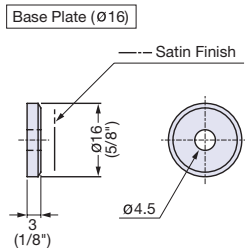


Plate/Screw Set for Knob (ø16)

| Item No. | Part Name | Material | Finish/Color | Box (Set) |
|--------------|------------------|---------------------|--------------|-----------|
| ZL-2302-1916 | Screw (M4 x 16) | Stainless Steel | Zwei L | 1 |
| | Base Plate (16) | 316 Stainless Steel | Zwei L | |
| | Gasket (14) | Elastomer | Plain | |

Plate/Screw Set for Knob (ø25) *2 gaskets included

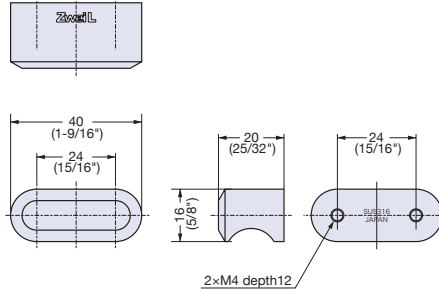
| Item No. | Part Name | Material | Finish/Color | Box (Set) |
|--------------|------------------|---------------------|--------------|-----------|
| ZL-2302-1925 | Screw (M4 x 16) | Stainless Steel | Zwei L | 1 |
| | Base Plate (ø16) | 316 Stainless Steel | Zwei L | |
| | Gasket (ø14) | Elastomer | Plain | |
| | Gasket (ø20) | Elastomer | Plain | |



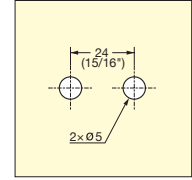
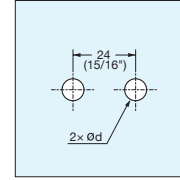
Zwei L Knob

STAINLESS
316
STEEL

ZL-1907



- For use with wood or tempered glass.
- Similar style to ZL-1504 door pulls.
- Includes stainless steel screws.



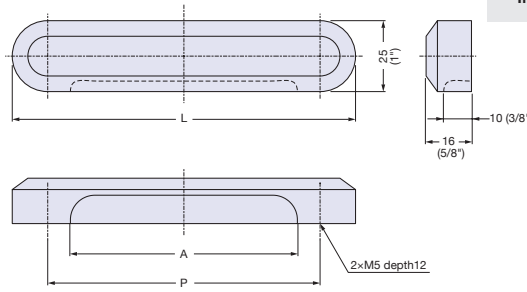
Glass Thickness:
4 or 5 mm, d = 5
6 mm, d = 6

| Item No. | Material | Finish/Color | Weight (g) | Box (pcs) | Carton (pcs) |
|----------|---------------------|--------------|------------|-----------|--------------|
| ZL-1907 | 316 Stainless Steel | Zwei L | 78 | 2 | 20 |

Zwei L Knob

STAINLESS
316
STEEL

ZL-2503



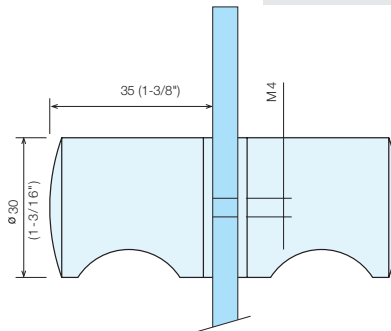
- Similar style to ZL-1505 door pulls.
- Includes stainless steel screws.

| Item No. | Material | Finish/Color | L | P | A | Weight (g) | Box (pcs) | Carton (pcs) |
|-------------|---------------------|--------------|---------------|----------------|----------------|------------|-----------|--------------|
| ZL-2503-96 | 316 Stainless Steel | Zwei L | 121 (4-3/4\" | 96 (3-25/32\" | 84 (3-5/16\" | 320 | 4 | 40 |
| ZL-2503-160 | | | 185 (7-9/32\" | 160 (6-5/16\" | 148 (5-53/64\" | 496 | 2 | 20 |

BACK TO BACK GLASS DOOR KNOB

STAINLESS
304
STEEL

DSI-126D



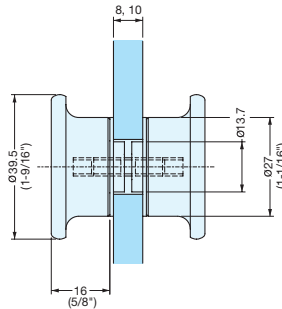
- For glass thickness 8-12 mm (5/16\"-1/2\").
- For use with tempered glass.

| Item No. | Material | Glass Thickness (mm) | Finish | Box (set) |
|----------|---------------------|----------------------|--------|-----------|
| DSI-126D | 304 Stainless Steel | 8~12 | Stain | 1 |

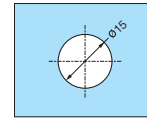
BACK TO BACK GLASS DOOR KNOB



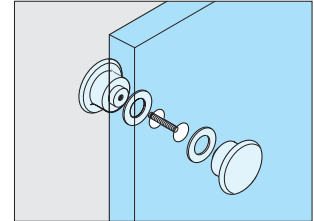
GT-40CR



- Sold as a set. Each set includes: 2 knobs, 2 washers and screw.



Cut out dimension



| Item No. | Material | Finish | Glass Thickness (mm) | Weight (g) | Box (sets) | Carton (sets) |
|----------|----------|--------|----------------------|------------|------------|---------------|
| GT-40CR | Brass | Chrome | 8~10 | 215 | 6 | 48 |

GLASS DOOR KNOB



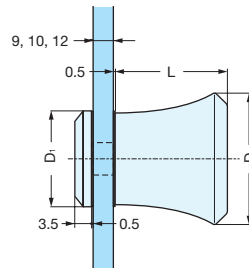
DG-BT



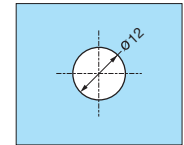
Chrome (CR)



Satin Chrome (SC)



- Sold as a set. Each set includes: knob, backplate, washers and tube.



Cut out dimension

| Item No. | D | D1 | L | Material Brass | Finish | Glass Thickness (mm) | Weight (g) | Box (set) |
|------------|-----------------|------|------|----------------|--------------|----------------------|------------|-----------|
| DG-BT30-CR | 32 (1-1/4") | 23.5 | 26.5 | Brass | Chrome | 8~12 | 134 | 1 |
| DG-BT30-SC | | | | | Satin Chrome | | | |
| DG-BT40-CR | 40 (1-9/16") | 26 | 34.5 | | Chrome | | 235 | |
| DG-BT40-SC | | | | | Satin Chrome | | | |

BACK TO BACK GLASS DOOR KNOB



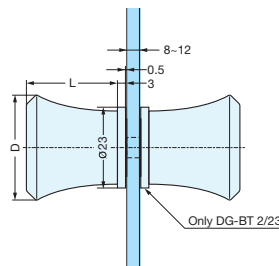
DG-BT2



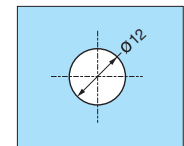
Chrome (CR)



Satin Chrome (SC)



- Sold as a set. Each set includes: 2 knobs, 2 washers and tube.
- Base plate included with model DG-BT2/23 only.



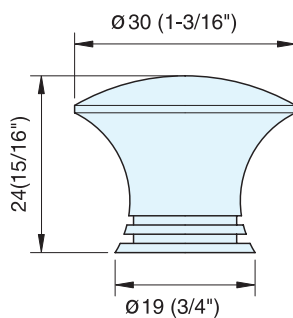
Cut out dimension

| Item No. | D | L | Material Brass | Finish | Glass Thickness (mm) | Weight (g) | Box (set) |
|--------------|------------------|------|----------------|--------------|----------------------|------------|-----------|
| DG-BT2/23-CR | 23.5 (59/64") | 23.5 | Brass | Chrome | 8~12 | 111 | 1 |
| DG-BT2/23-SC | | | | Satin Chrome | | | |
| DG-BT2/30-CR | 32 (1-1/4") | 34.5 | | Chrome | | 230 | |
| DG-BT2/30-SC | | | | Satin Chrome | | | |
| DG-BT2/40-CR | 40 (1-9/16") | 34.5 | Chrome | 447 | | | |
| DG-BT2/40-SC | | | Satin Chrome | | | | |

KNOB



EY-127

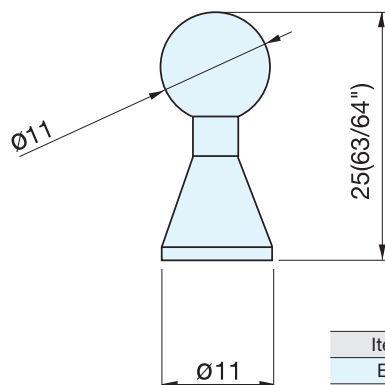


| Item No. | Weight (g) | Box (pcs) | Carton (pcs) |
|---------------------|------------|-----------|--------------|
| EY-127/30 | 53 | 25 | 250 |
| Material | | Finish | |
| 304 Stainless Steel | | Satin | |

KNOB



EY-207

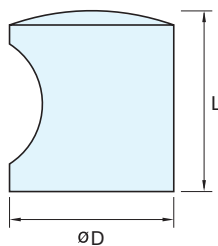


| Item No. | Weight (g) | Box (pcs) | Carton (pcs) |
|---------------------|------------|-----------|--------------|
| EY-207 | 11 | 25 | 250 |
| Material | | Finish | |
| 304 Stainless Steel | | Satin | |

KNOB



EY-301

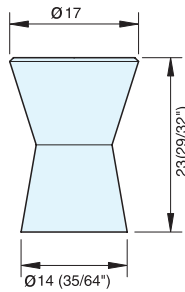
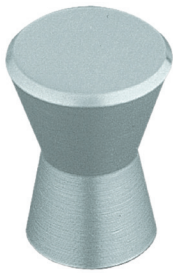


| Item No. | D | L | Box (pcs) | Carton (pcs) |
|---------------------|----------------|----------------|-----------|--------------|
| EY-301/10 | 10 (3/8") | 24 (15/16") | 25 | 250 |
| EY-301/15 | 15 (9/16") | 26 (1-1/32") | | |
| EY-301/20 | 20 (3/4") | 28 (1-1/8") | | |
| EY-301/25 | 25 (1") | 30 (1-3/16") | | |
| EY-301/30 | 30 (1-3/16") | 28 (1-5/16") | | |
| Material | | Finish | | |
| 304 Stainless Steel | | Satin | | |

KNOB



EY-320

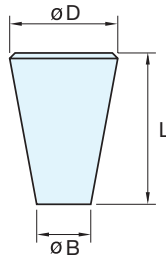
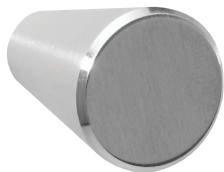


| Item No. | Weight (g) | Box (pcs) | Carton (pcs) |
|---------------------|------------|-----------|--------------|
| EY-320 | 22 | 25 | 250 |
| Material | | Finish | |
| 304 Stainless Steel | | Satin | |

KNOB



DSI-209

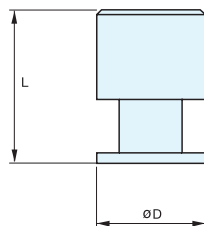


| Item No. | D | B | L | Box (pcs) |
|---------------------|---------------|--------|----------------|-----------|
| DSI-209-12 | 12 (15/32") | 7 | 20 (13/16") | 25 |
| DSI-209-16 | 16 (5/8") | 8 | 26 (1") | |
| DSI-209-20 | 20 (25/32") | 10 | 28 (1/18") | |
| DSI-209-24 | 24 (15/16") | 14 | 29 (1-3/16") | |
| DSI-209-29 | 29 (1-1/8") | 18 | 35 (1-3/8") | |
| Material | | Finish | | |
| 304 Stainless Steel | | Satin | | |

KNOB



EY-326

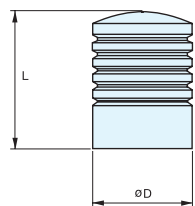


| Item No. | D | L | Weight (g) | Box (pcs) | Carton (pcs) |
|---------------------|-----------|-----------------|------------|-----------|--------------|
| EY-326/20 | 20 (3/4") | 33 (1-19/64") | 62 | 25 | 250 |
| EY-326/25 | 25 (1") | 35.5 (1-25/64") | 102 | | |
| Material | | Finish | | | |
| 304 Stainless Steel | | Satin | | | |

KNOB



EY-327

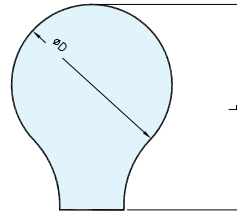


| Item No. | D | L | Weight (g) | Box (pcs) | Carton (pcs) |
|---------------------|-----------|-----------------|------------|-----------|--------------|
| EY-327/20 | 20 (3/4") | 33 (1-19/64") | 105 | 25 | 250 |
| EY-326/25 | 25 (1") | 35.5 (1-25/64") | 125 | | |
| Material | | Finish | | | |
| 304 Stainless Steel | | Satin | | | |

KNOB



EY-338

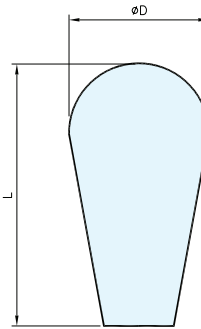


| Item No. | D | L | Weight (g) | Box (pcs) | Carton (pcs) | Material | Finish |
|-----------|-----------|----|------------|-----------|--------------|---------------------|--------|
| EY-338/20 | 20 (3/4") | 26 | 40 | 25 | 250 | 304 Stainless Steel | Satin |
| EY-338/25 | 25 (1") | 32 | 75 | | | | |

KNOB



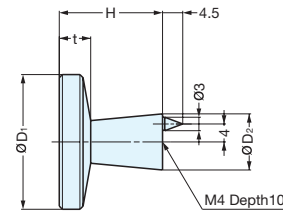
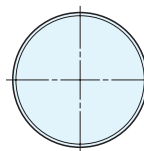
EY-339



| Item No. | D | L | Weight (g) | Box (pcs) | Carton (pcs) | Material | Finish |
|-----------|-----------|------|------------|-----------|--------------|---------------------|--------|
| EY-339/20 | 20 (3/4") | 37.5 | 125 | 25 | 250 | 304 Stainless Steel | Satin |
| EY-339/25 | 25 (1") | 41.5 | 226 | | | | |

KNOB

TS

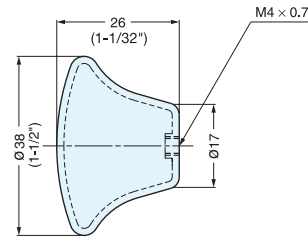
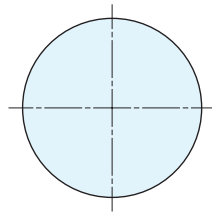


| Item No. | D ₁ | D ₂ | H | t | Weight (g) | Box (pcs) | Carton (pcs) | Material | Finish |
|----------|----------------|----------------|----|-----|------------|-----------|--------------|----------|--------------|
| TS-25 | 25 | 14.5 | 23 | 6.7 | 36 | 50 | 200 | Brass | Satin Nickel |
| TS-30 | 30 | | | | 47 | | | | |
| TS-36 | 36 | 15 | 24 | 7.5 | 70 | 30 | 120 | | |

KNOB



RS-38



| Item No. | Weight (g) | Box (pcs) | Carton (pcs) | Material | Finish |
|----------|------------|-----------|--------------|---------------------|--------|
| RS-38/S | 20 | 20 | 200 | 304 Stainless Steel | Satin |

KNOB



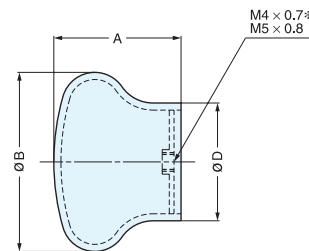
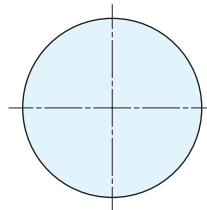
RSS



Satin



Mirror



| Material | Finish |
|---------------------|-------------------------|
| 304 Stainless Steel | Mirror (M) Satin (S) |

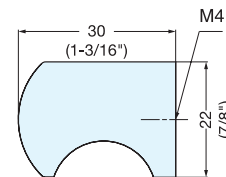
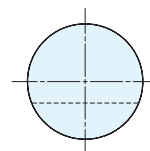
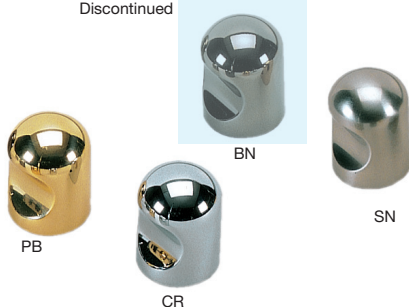
| Item No. | A | B | D | Weight (g) | Box (pcs) | Carton (pcs) | Screw |
|-----------|-----------|-----------------|-----------------|------------|-----------|--------------|-------|
| RSS-25/M* | RSS-25/S* | 22 (55/64") | 25 (63/64") | 18 | 8.5 | 20 | 200 |
| RSS-30/M* | RSS-30/S* | 23 (29/32") | 30 (1-3/16") | 20 | 11 | | |
| RSS-38/M | RSS-38/S | 27 (1-1/16") | 38 (1-1/2") | 25 | 16 | | |
| RSS-50/M | RSS-50/S | 34 (1-11/32") | 50 (1-31/32") | 35 | 30 | | |

KNOB



DJ-22

Discontinued



Please specify the finish when ordering

| Material | Finish |
|----------|------------------------------|
| Brass | Satin Nickel (SN) |
| | Black Nickel (BN) |
| | Chrome (CR) |
| | Polished Brass (PB) |

| Item No. | Weight (g) | Box (pcs) | Carton (pcs) |
|----------|------------|-----------|--------------|
| DJ-22 | 80 | 20 | 200 |

KNOB



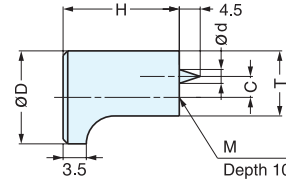
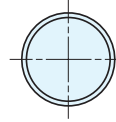
GLA



SN



CR



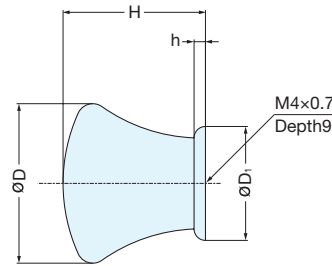
| Material | Finish |
|----------|----------------------------------|
| Brass | Satin Nickel (SN) Chrome (CR) |

| Item No. | D | H | T | C | d | M | Weight (g) | Box (pcs) | Carton (pcs) | Screw |
|----------|---------------|---------------|----------------|-----|---|----------|------------|-----------|--------------|---------|
| GLA-12 | 12 (15/32") | 18 (45/64") | 8.5 (21/64") | 3.5 | 3 | M3 × 0.5 | 14 | 50 | 500 | M3 × 25 |
| GLA-16 | 16 (5/8") | 22 (55/64") | 11 (7/16") | 4 | | M4 × 0.7 | 29 | 40 | 400 | M4 × 25 |
| GLA-20 | 20 (25/32") | 25 (63/64") | 14 (11/64") | 4.5 | | M4 × 0.7 | 52 | | | |

KNOB



KK-T



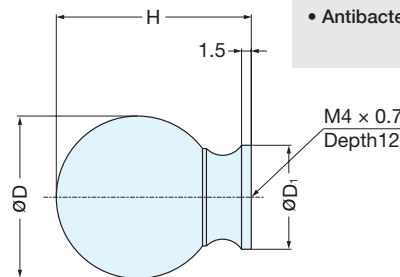
• Antibacterial coating except black finish.

| Item No. | Material | Finish | D | D ₁ | H | h | Weight (g) | Box (pcs) | Carton (pcs) |
|-----------|----------------|------------------------------------|----------------|----------------|----------------|-----|------------|-----------|--------------|
| KK-T24SNI | Aluminum Alloy | Nickel + Antibacterial Coating | 24 (15/16") | 16 | 23 (29/32") | 1.5 | 10 | 25 | 200 |
| KK-T24SSG | | Satin Gold + Antibacterial Coating | | | | | | | |
| KK-T24SBR | | Brown + Antibacterial Coating | | | | | | | |
| KK-T24BL | | Black | | | | | | | |
| KK-T28SNI | | Nickel + Antibacterial Coating | 28 (1-3/32") | 20 | 26 (1-1/32") | 2 | 20 | 25 | 200 |
| KK-T28SSG | | Satin Gold + Antibacterial Coating | | | | | | | |
| KK-T28SBR | | Brown + Antibacterial Coating | | | | | | | |
| KK-T28BL | | Black | | | | | | | |

KNOB



KK-B



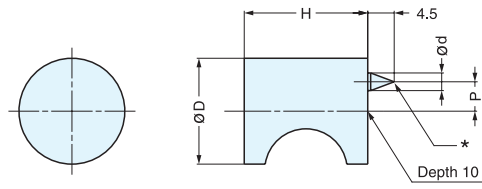
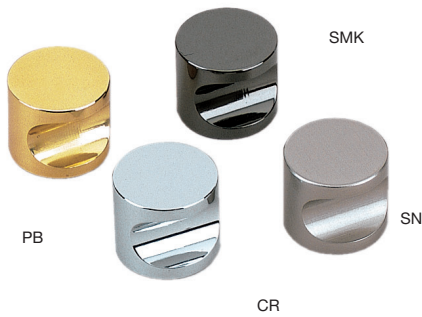
• Antibacterial Coating.

| Item No. | Material | Finish | D | D ₁ | H | Weight (g) | Box (pcs) | Carton (pcs) |
|------------|----------------|------------------------------------|---------------|----------------|----------------|------------|-----------|--------------|
| KK-B20SNI | Aluminum Alloy | Nickel + Antibacterial Coating | 20 (25/32") | 13 | 26 (1-1/32") | 10 | 25 | 200 |
| KK-B20SSG | | Satin Gold + Antibacterial Coating | | | | | | |
| KK-B20SBR | | Brown + Antibacterial Coating | | | | | | |
| KK-B25SNI | | Nickel + Antibacterial Coating | 25 (63/64") | 16 | 30 (1-3/16") | 25 | 25 | 200 |
| KK-B25SSG | | Satin Gold + Antibacterial Coating | | | | | | |
| KK-B25 SBR | | Brown + Antibacterial Coating | | | | | | |

KNOB



MRB



*MRB-L No anti-rotation pin.

Please specify the finish when ordering

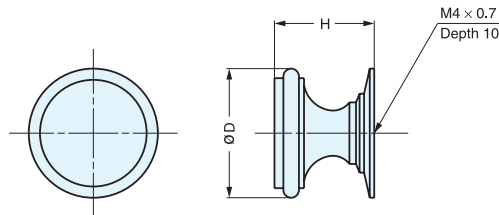
| Material | Finish |
|----------|----------------------------------|
| Brass | Chrome (CR) |
| | Polished Brass (PB)/(MRB-L only) |
| | Smoke (SMK)/(MRB-L only) |
| | Satin Nickel (SN) |

| Item No. | D | H | P | d | Weight (g) | Box (pcs) | Carton (pcs) | Screw |
|----------|-------------|-------------|---|---|------------|-----------|--------------|-----------|
| MRB-S | 18 (5/8") | 21 (53/64") | 5 | 3 | 38 | 30 | 300 | M4 x 25 |
| MRB-L | 24 (15/16") | | - | - | 70 | | | #8-32 x 1 |

KNOB



SY



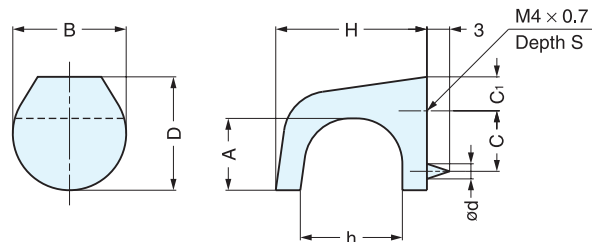
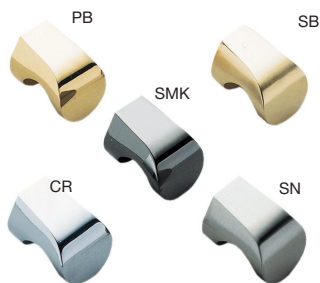
Please specify the finish when ordering

| Item No. | D | H | Weight (g) | Box (pcs) | Carton (pcs) | Material | Finish |
|----------|-----------|-------------|------------|-----------|--------------|----------|--|
| SY-16 | 16 (5/8") | 15 (19/32") | 10 | 40 | 400 | Brass | Polished Brass (PB) Satin Nickel (SN) |
| SY-22 | 22 (7/8") | 17 (43/64") | 21 | 30 | 300 | | |

KNOB



MKZ



Please specify the finish when ordering

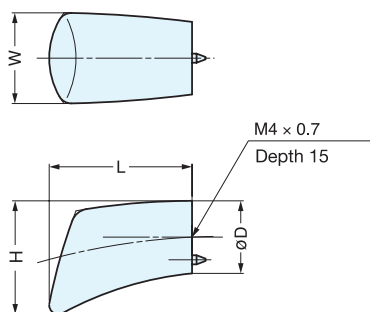
| Material | Finish |
|------------|--|
| Zinc Alloy | Chrome (CR), Polished Brass (PB), Smoke (SMK), Satin Brass (SB), Satin Nickel (SN) |

| Item No. | D | A | B | H | h | C | C ₁ | d | S | Weight (g) | Box (pcs) | Carton (pcs) |
|----------|----|-----|-------------|----|------|----|----------------|---|---|------------|-----------|--------------|
| MKZ-S | 15 | 9.5 | 15 (19/32") | 20 | 13.5 | 8 | 4.5 | 2 | 6 | 11 | 50 | 500 |
| MKZ-L | 21 | 13 | 20 (25/32") | 26 | 17 | 11 | | | 7 | 29 | | |

PULL (GOLD PLATED)



TMT



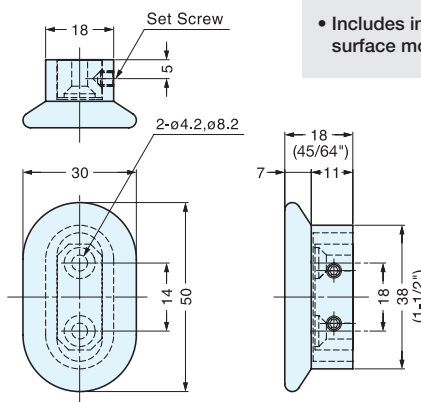
| Item No. | W | L | D | H | Weight (g) | Box (pcs) | Carton (pcs) |
|----------|----|-----------------|------|----|------------|-----------|--------------|
| TMT-16 | 16 | 25 (63/64") | 12.5 | 20 | 31 | 1 | 10 |
| TMT-20 | 20 | 31.5 (15/64") | 16 | 25 | 64 | | |

| Material | Finish |
|----------|------------------|
| Brass | 24K Gold Plating |

KNOB



DW-50N



• Includes insert block and set screw for surface mounting.

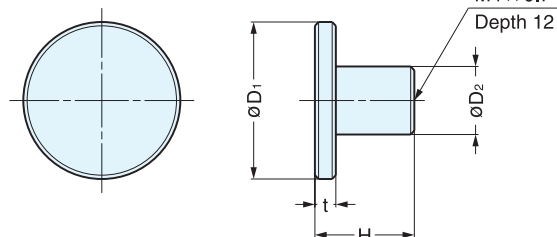
| Item No. | Weight (g) | Box (pcs) | Carton (pcs) |
|----------|------------|-----------|--------------|
| DW-50N | 130 | 20 | 100 |

| Material | Finish |
|----------|--------------|
| Brass | Matte Chrome |

KNOB



A SERIES



| Material | Finish |
|----------|----------|
| Aluminum | Anodized |

| Item No. | D ₁ | H | D ₂ | t | Weight (g) | Box (pcs) | Carton (pcs) |
|----------|----------------|-----------------|----------------|-----|------------|-----------|--------------|
| A-861 | 20 (25/32") | 18 (45/64") | 10 | 4 | 5 | 48 | 1152 |
| A-862 | 25 (63/64") | 18.5 (47/64") | 11 | 4.5 | 8.5 | | |
| A-863 | 30 (1-3/16") | 12 | 12 | 5 | 15 | | |
| A-864 | 35 (1-3/8") | 19 (3/4") | 13 | | 16.5 | 24 | 576 |



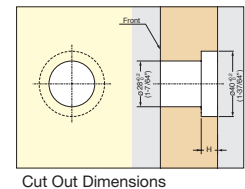
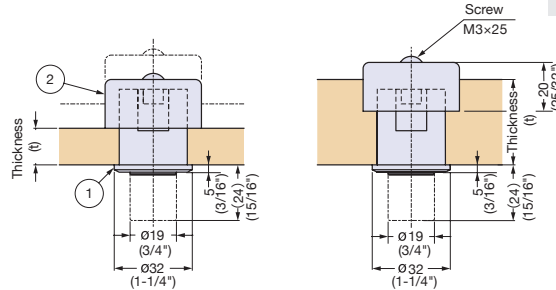
Zwei L Push Knob



ZL-1908



• Includes stainless steel screw.



| Item No. | No. | Part Name | Material | Finish/Color |
|----------|-----|---------------------------|---------------------|--------------|
| ZL-1908 | ① | Push Knob (Base Included) | 316 Stainless Steel | Zwei L |
| | ② | Body | ABS | Black |
| | ③ | Case | Zinc Alloy, ABS | Black |

| Door Thickness (t) | Counterbore Depth (H) |
|----------------------------|-----------------------|
| 13~23 mm (33/64"~29/32") | 0 |
| 24~33 mm (61/64"~1-19/64") | Door Thickness-23 |

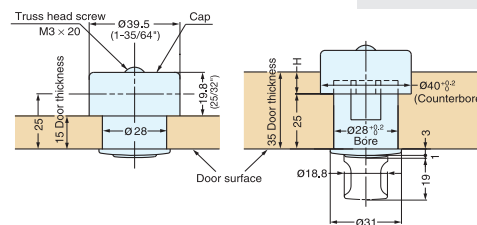
PUSH KNOB



PK-03



- Knob can be pushed in when not in use.
- For door thickness 15~25 mm. (19/32"~1")
- Can be used on thickness up to 35 mm (1-3/8") by counterboring.
- Similar style to push knob latches PKL-08 (P.138).



| Material | Finish/Color |
|------------|-------------------|
| Zinc Alloy | Black Nickel (BN) |
| | Chrome (CR) |
| | Gold (GA) |
| ABS | Black |

| Item No. | Finish | Weight (g) | Box (pcs) | Carton (pcs) |
|----------|--------------|------------|-----------|--------------|
| PK-03/GA | Gold | 67 | 20 | 200 |
| PK-03/CR | Chrome | | | |
| PK-03/BN | Black Nickel | | | |

| Door Thickness | H (Counterbore) |
|----------------|-----------------------|
| 15 - 25 mm | None |
| 26 - 35 mm | H = Door Thickness-25 |