



# CASTERS & LEVELING GLIDES

TWIN WHEEL CASTERS  
DUAL BRAKE SYSTEM CASTERS  
LOW PROFILE HEAVY DUTY CASTERS  
CASTER WITH LEVELING GLIDES  
SHOCK ABSORBING CASTERS  
LEVELING GLIDES  
ACCESSORIES

**TWIN WHEEL CASTERS**

Picture	Item No.	Load Capacity (lbs)	Wheel Diameter	Page
	FA-45-PS, P (PLATE)	110	1-57/64"	602
	FP-45-PS, P (PLATE)	88	1-57/64"	602
	FA-45-NS, N (THREADED BOLT)	110	1-57/64"	603
	FP-45-NS, N (THREADED BOLT)	88	1-57/64"	603
	FA-55-PS, P (PLATE)	176	2-3/32"	604
	FP-55-PS, P (PLATE)	110	2-3/32"	604
	FA-55-NS, N (THREADED BOLT)	176	2-3/32"	605
	FP-55-NS, N (THREADED BOLT)	110	2-3/32"	605
	FAU-55-NS, N (THREADED BOLT)	154	2-3/32"	606
	FPU-55-NS, N (THREADED BOLT)	110	2-3/32"	606
	GX-50-PS, P (PLATE)	220	1-31/32"	608
	GX-50-N12S, N12 (THREADED BOLT)	220	1-31/32"	608
	GX-60-PS, P (PLATE)	330	2-23/64"	609
	GX-60-N12S, N12 (THREADED BOLT)	330	2-23/64"	609
	GX-75-PS, P (PLATE)	438	2-61/64"	610
	GX-75-N16S, N16 (THREADED BOLT)	438	2-61/64"	610
	GX-W50K (NON-SWIVEL)	441	1-31/32"	611
	GX-W50GN12, GN16, GP (BOLT & PLATE)	441	1-31/32"	611

**SINGLE WHEEL CASTERS**

Picture	Item No.	Load Capacity (lbs)	Wheel Diameter	Page
	PLN50P (PLATE)	220	1-31/32"	607
	PLN50N10 (THREADED BOLT)	220	1-31/32"	607

**DUAL BRAKE SYSTEM CASTERS**

Picture	Item No.	Load Capacity (lbs)	Wheel Diameter	Page
	EX-100PS, P (PLATE)	220	3-15/16"	612
	EX-100N (THREADED BOLT)	220	3-15/16"	612
	MX-125PS, P (PLATE)	264	4-15/16"	613
	MX-125N (THREADED BOLT)	264	4-15/16"	613

**LOW PROFILE HEAVY DUTY CASTERS**

Picture	Item No.	Load Capacity (lbs)	Wheel Diameter	Page
	UHG (PLATE)	898 - 1795	1-31/32" - 3-15/16"	614
	HG (PLATE)	359 - 561	1-31/32" - 2-61/64"	614
	HR (NON-SWIVEL)	359 - 561	1-31/32" - 2-61/64"	615

**CASTER WITH LEVELING GLIDES**

Picture	Item No.	Load Capacity (lbs)	Wheel Diameter	Page
	AF-50, 65 (HEAVY DUTY)	561	1-31/32" - 2-9/16"	616
	CA (PARTS SEPARABLE)	132 - 264	1-31/32" - 2-61/64"	617

**SHOCK ABSORBING CASTERS**

Picture	Item No.	Load Capacity (lbs)	Wheel Diameter	Page
	NPG (PLATE)	66	3-15/16" - 4-59/64"	618
	NPR (PLATE)	66	3-15/16" - 4-59/64"	619
	NPT (THREADED BOLT)	66	3-15/16" - 4-59/64"	619

**LEVELING GLIDES**

Picture	Item No.		Load Capacity (lbs)	Height	Page
	ADPS	 	660~1938	3"~8-5/16"	620
	ADCS	 	660~1938	5"~8-17/64"	620
	MKP		264~352	1-27/64"~1-15/32"	621
	MKPS	 	440~881	1-27/64"~2-1/32"	621
	MKR (W/RUBBER PAD)		88~132	1-27/64"~1-15/32"	622
	MKRS (W/RUBBER PAD)	 	88~220	1-27/64"~2-1/32"	622
	MKRL		132~440	2-23/64"~5-25/64"	623
	MKPLS (LONG-STEM)		440~748	3-13/16"~3-15/16"	624
	MKRLS (LONG-STEM)	 	176~220	3-13/16"~3-15/16"	624
	MN	 	264~880	1-37/64"~1-31/32"	625
	RP		132~1368	1-7/32"~2-5/8"	625
	TG		220~396	53/64"~1-1/32"	626
	TN		308	3-3/16"~3-1/4"	627
	EA (PARTS SEPARABLE)		110~594	1-7/32"~2-1/64"	627
	SAJ30 (AUTOMATIC HEIGHT ADJUSTING)		110	1-19/64"~1-47/64"	628
	MKR-N		132~176	1-13/32"~2-3/8"	629
	MKR-N32		100	1-7/8"~2-3/16"	629
	MDSF		-	2-5/8"~5-11/16"	630

**ACCESSORIES**

Picture	Item No.		Page
	AD-438 (GLIDE BASE)		631
	AP-36 (GLIDE BASE)	 	631
	KD-555 (GLIDE BASE)		631
	FA55-FIX (CASTER BRACKET)		607

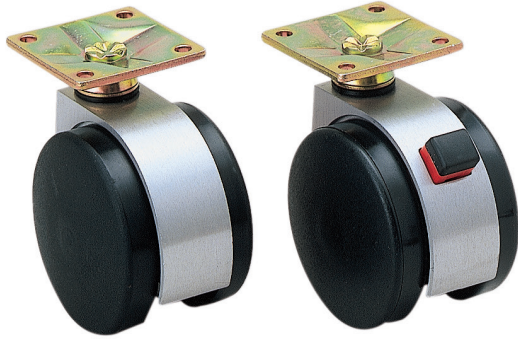
## TWIN WHEEL CASTER (PLATE TYPE)



**LOAD CAPACITY**  
50 kg  
110 lbs

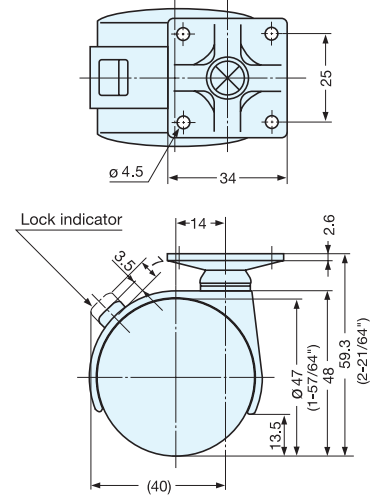
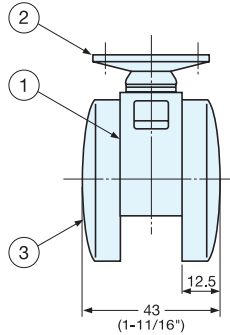
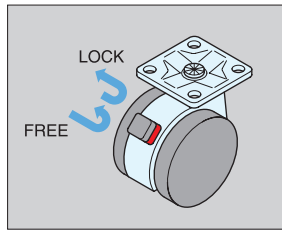
## FA-45-PS, P

- Light & durable aluminum body construction.



FA-45-P  
(w/o Brake)

FA-45-PS  
(w/ Brake)



Item No.	Load Capacity (kg)	Weight (g)	Box (pcs)	Carton (pcs)
FA-45-PS	50 (110 lbs)	117	4	100
FA-45-P	50 (110 lbs)	113		

No.	Part Name	Material	Finish
①	Body	Aluminum Alloy	Silver
②	Mounting Plate	Steel	Yellow Zinc Chromate
③	Wheel	Polyamide	Black

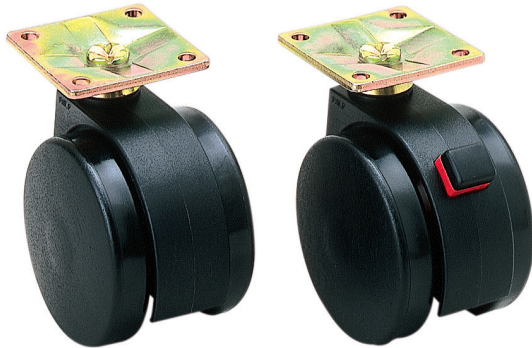
## TWIN WHEEL CASTER (PLATE TYPE)



**LOAD CAPACITY**  
40 kg  
88 lbs

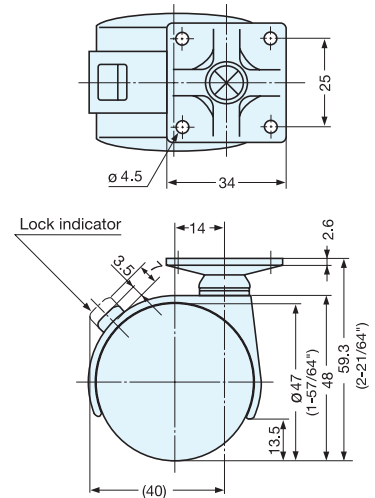
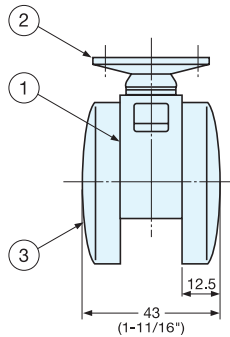
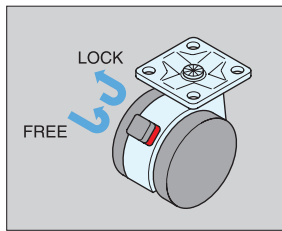
## FP-45-PS, P

- Caster with high quality polyamide body. Excellent durability, chemical / weather / wear resistance.



FP-45-P  
(w/o Brake)

FP-45-PS  
(w/ Brake)



Item No.	Load Capacity (kg)	Weight (g)	Box (pcs)	Carton (pcs)
FP-45-PS	40 (88 lbs)	98	4	100
FP-45-P	40 (88 lbs)	94		

No.	Part Name	Material	Finish
①	Body	Polyamide	Black
②	Mounting Plate	Steel	Yellow Zinc Chromate
③	Wheel	Polyamide	Black

# TWIN WHEEL CASTER (THREADED BOLT TYPE)

LOAD CAPACITY  
50 kg  
110 lbs

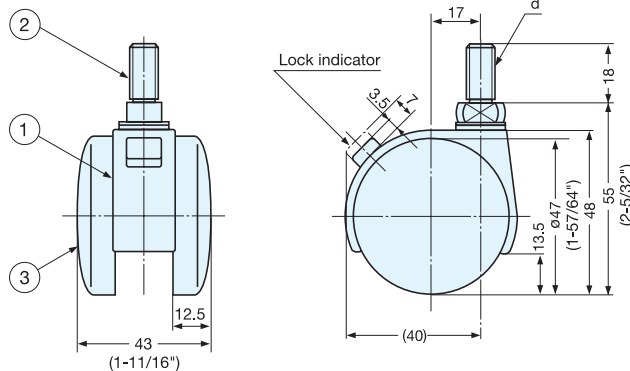
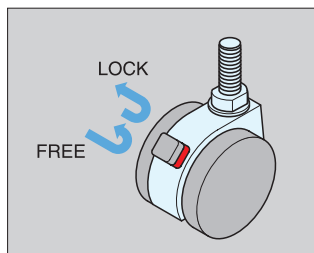
## FA-45-NS, N



FA-45-N  
(w/o Brake)

FA-45-NS  
(w/ Brake)

• Light & durable aluminum body construction.

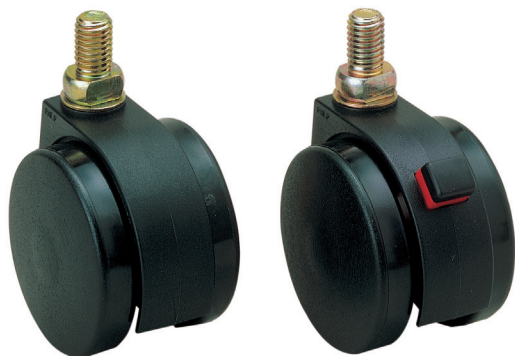


Item No.	d	Load Capacity (kg)	Weight (g)	Box (pcs)	Carton (pcs)	No.	Part Name	Material	Finish
FA-45-NS	W3/8-16UNC	50 (110 lbs)	100	4	100	①	Body	Aluminum Alloy	Silver
FA-45-N	W3/8-16UNC	50 (110 lbs)	97			②	Threaded Bolt	Steel	Yellow Zinc Chromate
						③	Wheel	Polyamide	Black

# TWIN WHEEL CASTER (THREADED BOLT TYPE)

LOAD CAPACITY  
40 kg  
88 lbs

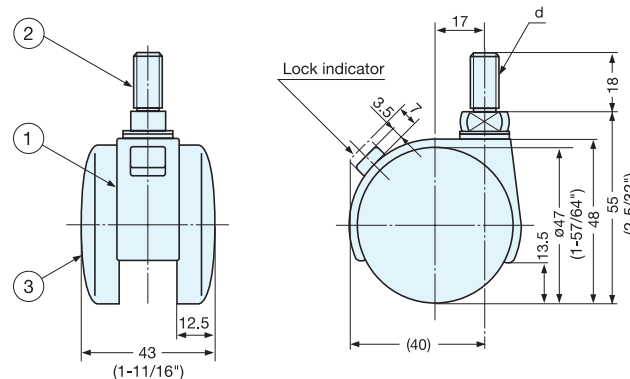
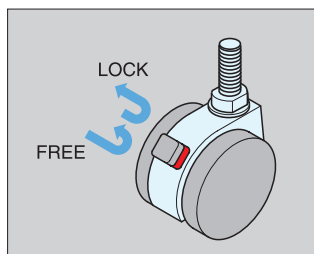
## FP-45-NS, N



FP-45-N  
(w/o Brake)

FP-45-NS  
(w/ Brake)

• Caster with high quality polyamide body. Excellent durability, chemical/weather/wear resistance.



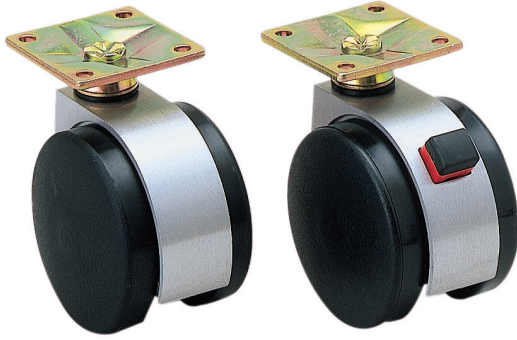
Item No.	d	Load Capacity (kg)	Weight (g)	Box (pcs)	Carton (pcs)	No.	Part Name	Material	Finish
FP-45-NS	W3/8-16UNC	40 (88 lbs)	84	4	100	①	Body	Polyamide	Black
FP-45-N	W3/8-16UNC	40 (88 lbs)	79			②	Threaded Bolt	Steel	Yellow Zinc Chromate
						③	Wheel	Polyamide	Black

## TWIN WHEEL CASTER (PLATE TYPE)



**LOAD CAPACITY**  
80 kg  
176 lbs

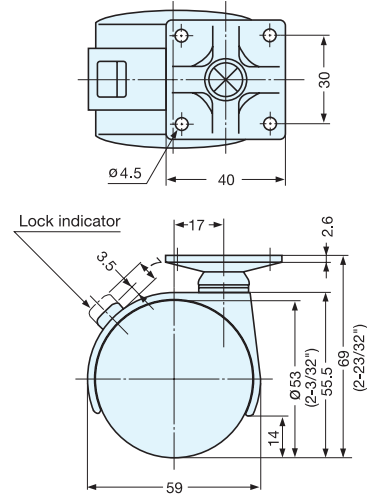
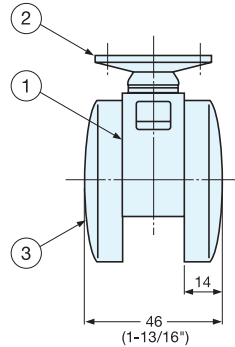
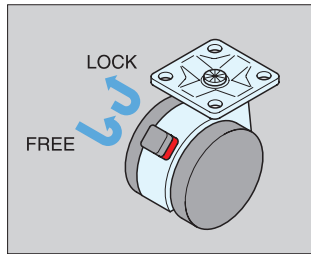
### FA-55-PS, P



FA-55-P  
(w/o Brake)

FA-55-PS  
(w/ Brake)

• Light & durable aluminum body construction.



Item No.	Load Capacity (kg)	Weight (g)	Box (pcs)	Carton (pcs)
FA-55-PS	80 (176 lbs)	160	4	72
FA-55-P	80 (176 lbs)	155		

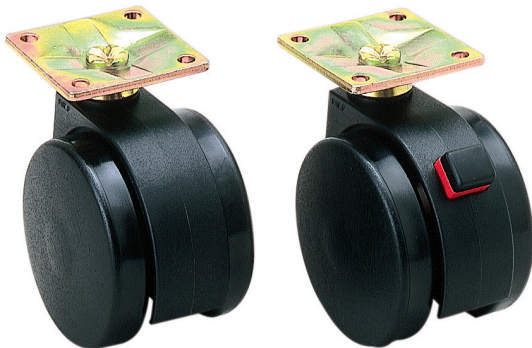
No.	Part Name	Material	Finish
①	Body	Aluminum Alloy	Silver
②	Mounting Plate	Steel	Yellow Zinc Chromate
③	Wheel	Polyamide	Black

## TWIN WHEEL CASTER (PLATE TYPE)



**LOAD CAPACITY**  
50 kg  
110 lbs

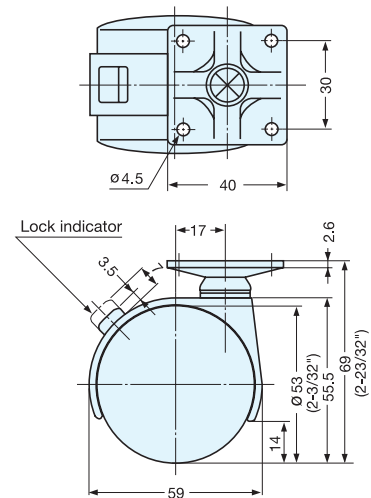
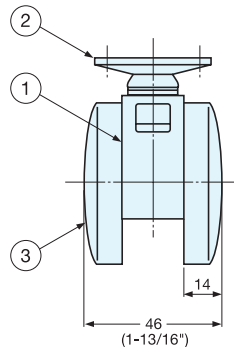
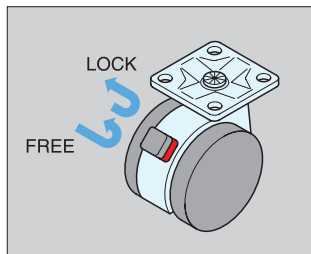
### FP-55-PS, P



FP-55-P  
(w/o Brake)

FP-55-PS  
(w/ Brake)

• Caster with high quality polyamide body. Excellent durability, chemical/weather/wear resistance.



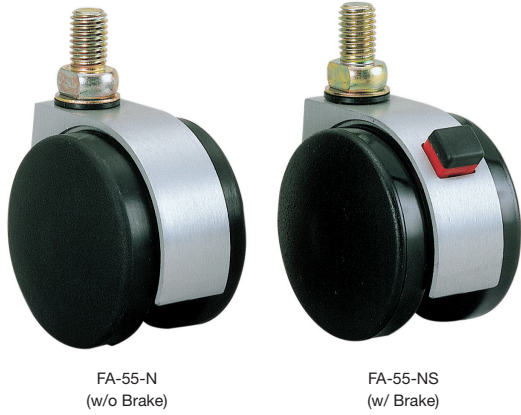
Item No.	Load Capacity (kg)	Weight (g)	Box (pcs)	Carton (pcs)
FP-55-PS	50 (110 lbs)	133	4	72
FP-55-P	50 (110 lbs)	128		

No.	Part Name	Material	Finish
①	Body	Polyamide	Black
②	Mounting Plate	Steel	Yellow Zinc Chromate
③	Wheel	Polyamide	Black

## TWIN WHEEL CASTER (THREADED BOLT TYPE)

**LOAD CAPACITY**  
80 kg  
176 lbs

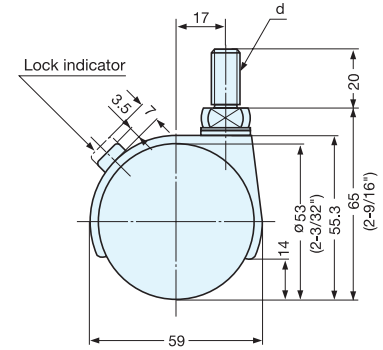
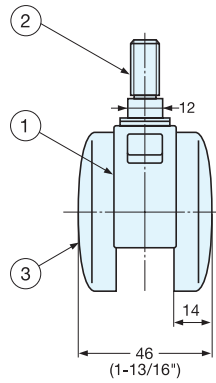
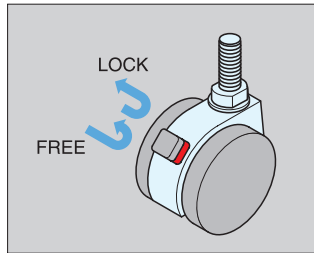
### FA-55-NS, N



FA-55-N  
(w/o Brake)

FA-55-NS  
(w/ Brake)

- Light & durable aluminum body construction.

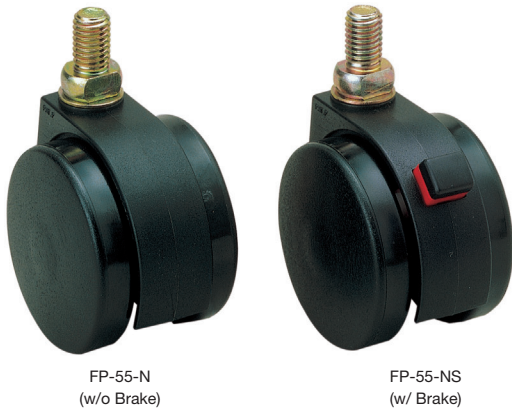


Item No.	d	Load Capacity (kg)	Weight (g)	Box (pcs)	Carton (pcs)	No.	Part Name	Material	Finish
FA-55-NS	W3/8-16UNC	80 (176 lbs)	140	4	72	①	Body	Aluminum Alloy	Silver
FA-55-N	W3/8-16UNC	80 (176 lbs)	135			②	Threaded Bolt	Steel	Yellow Zinc Chromate
						③	Wheel	Polyamide	Black

## TWIN WHEEL CASTER (THREADED BOLT TYPE)

**LOAD CAPACITY**  
50 kg  
110 lbs

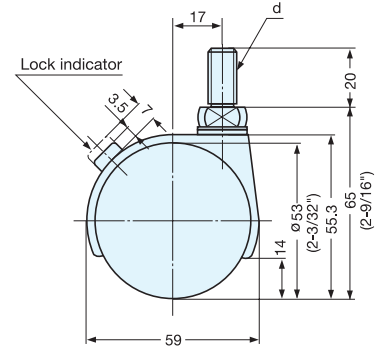
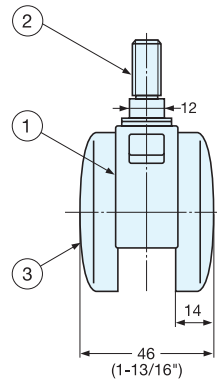
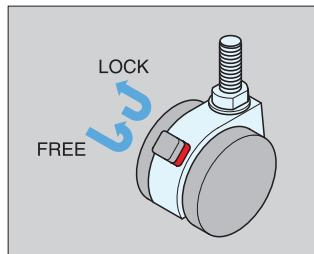
### FP-55-NS, N



FP-55-N  
(w/o Brake)

FP-55-NS  
(w/ Brake)

- Caster with high quality polyamide body. Excellent durability, chemical/weather/wear resistance.

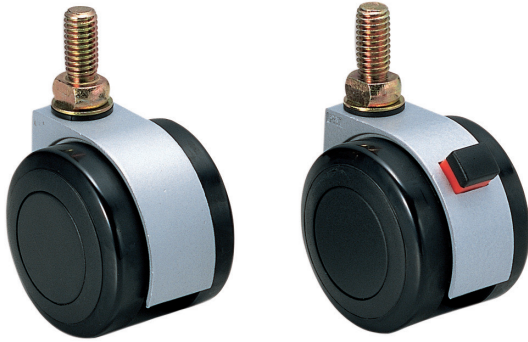


Item No.	d	Load Capacity (kg)	Weight (g)	Box (pcs)	Carton (pcs)	No.	Part Name	Material	Finish
FP-55-NS	W3/8-16UNC	50 (110 lbs)	115	4	72	①	Body	Polyamide	Black
FP-55-N	W3/8-16UNC	50 (110 lbs)	110			②	Threaded Bolt	Steel	Yellow Zinc Chromate
						③	Wheel	Polyamide	Black

## TWIN WHEEL CASTER (THREADED BOLT TYPE)

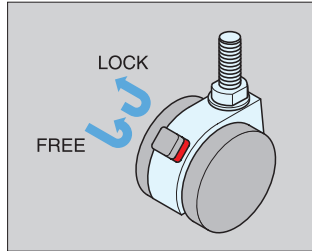
**LOAD CAPACITY**  
70 kg  
154 lbs

## FAU-55-NS, N

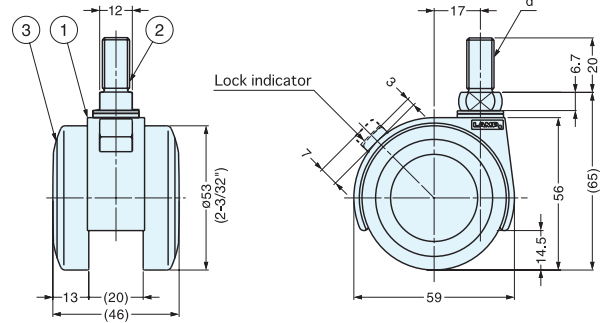


FAU-55-N  
(w/o Brake)

FAU-55-NS  
(w/ Brake)



- Wheels are covered with elastomer (rubber) for smooth and quiet movement, by absorbing vibration.
- Light & durable aluminum body construction.



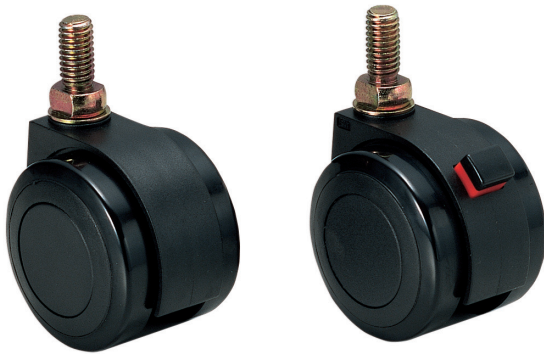
No.	Part Name	Material	Finish
①	Body	Aluminum Alloy	Silver
②	Threaded Bolt	Steel	Yellow Zinc Chromate
③	Wheel	Polyamide, Elastomer	Black

Item No.	d	Load Capacity (kg)	Weight (g)	Box (pcs)	Carton (pcs)
FAU-55-NS	W3/8-16UNC	70 (154 lbs)	155	4	72
FAU-55-N	W3/8-16UNC	70 (154 lbs)	151		

## TWIN WHEEL CASTER (THREADED BOLT TYPE)

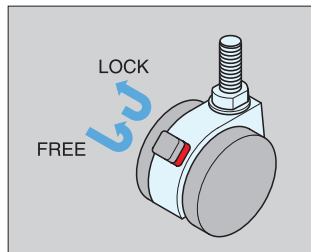
**LOAD CAPACITY**  
50 kg  
110 lbs

## FPU-55-NS, N

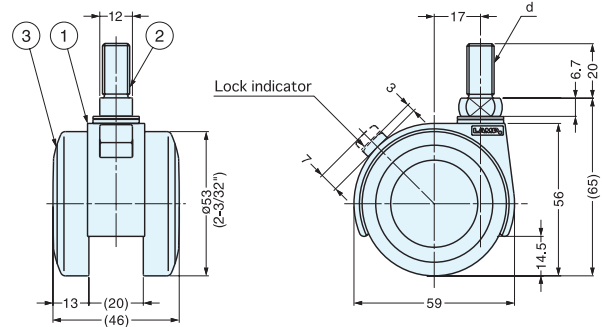


FPU-55-N  
(w/o Brake)

FPU-55-NS  
(w/ Brake)



- Wheels are covered with elastomer (rubber) for smooth and quiet movement, by absorbing vibration.
- Caster with high quality polyamide body. Excellent durability, chemical/weather/wear resistance.



No.	Part Name	Material	Finish
①	Body	Polyamide	Black
②	Threaded Bolt	Steel	Yellow Zinc Chromate
③	Wheel	Polyamide, Elastomer	Black

Item No.	d	Load Capacity (kg)	Weight (g)	Box (pcs)	Carton (pcs)
FPU-55-NS	W3/8-16UNC	50 (110 lbs)	128	4	72
FPU-55-N	W3/8-16UNC	50 (110 lbs)	123		



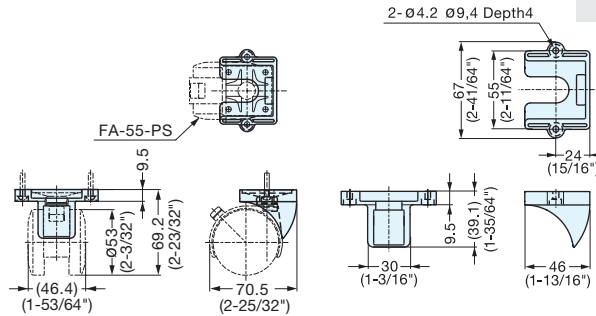
# CASTER BRACKET



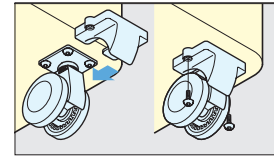
## FA55-FIX



Application



- Keeps caster from swiveling.
- Use with FA-55/FAU-55/FP-55/FPU-55 casters.
- Easy to install over previously installed caster.



Installation

Item No.	Weight (g)	Box (pcs)	Carton (pcs)	Part Name	Material	Color
FA55-FIX	23	50	500	Body	Glass Fiber Reinforced Polyamide	Black

# CASTER (PLATE TYPE)



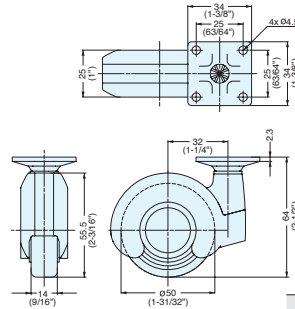
**LOAD CAPACITY**  
80 (176 lbs)

## PLN50P



PLN50PCR

PLN50PBL



- Sleek contemporary design, available in Black (BL) or Chrome (CR)
- Ball-bearing type caster for exceptionally smooth movement.

Part Name	Material	Finish
Body	Zinc Alloy	BL=Black, CR=Chrome
Plate	Steel	Yellow Zinc Chromate
Wheel	Polyamide	Black

Item No.	Load Capacity (kg)	Weight (g)	Box (pcs)	Carton (pcs)
PLN50PBL	80 (176 lbs)	220	1	28
PLN50PCR				

# CASTER (THREADED BOLT TYPE)

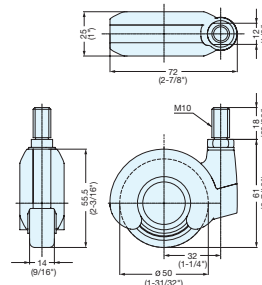
**LOAD CAPACITY**  
80 (176 lbs)

## PLN50N10



PLN50N10CR

PLN50N10BL



- Sleek contemporary design, available in Black (BL) or Chrome (CR)
- Ball-bearing type caster for exceptionally smooth movement.

Part Name	Material	Finish
Body	Zinc Alloy	BL=Black, CR=Chrome
Plate	Steel	Yellow Zinc Chromate
Wheel	Polyamide	Black

Item No.	Load Capacity (kg)	Weight (g)	Box (pcs)	Carton (pcs)
PLN50N10BL	80 (176 lbs)	203	1	40
PLN50N10CR				

## TWIN WHEEL CASTER (PLATE TYPE)

**TEST 13**  
P.660

**LOAD CAPACITY**  
100 kg  
220 lbs



## GX-50-PS, P

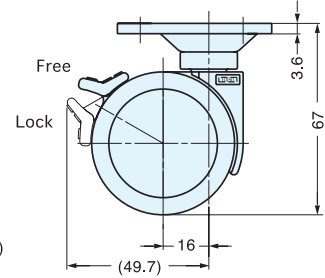
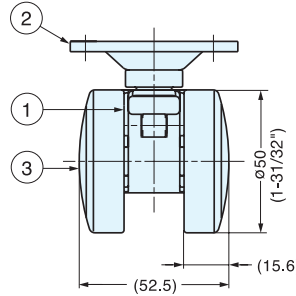
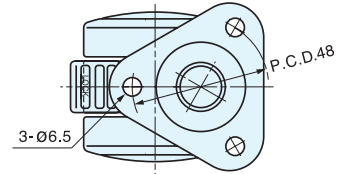
- Heavy duty and low profile.
- Twin wheel caster with excellent stability.



GX-50-P  
(w/o Brake)



GX-50-PS  
(w/ Brake)



Item No.	Load Capacity (kg)	Weight (g)	Box (pcs)	Carton (pcs)
GX-50-PS	100 ( 220 lbs )	235	4	72
GX-50-P	100 ( 220 lbs )	230		

No.	Part Name	Material	Finish
①	Body	Aluminum Alloy	Polished
②	Mounting Plate	Steel	Yellow Zinc Chromate
③	Wheel	Polyamide	Black

## TWIN WHEEL CASTER (THREADED BOLT TYPE)

**TEST 13**  
P.660

**LOAD CAPACITY**  
100 kg  
220 lbs

## GX-50-N12S, N12

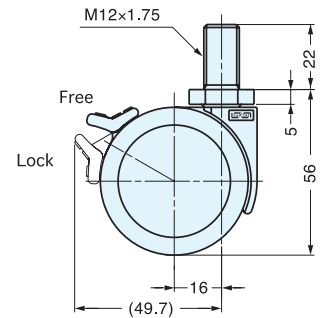
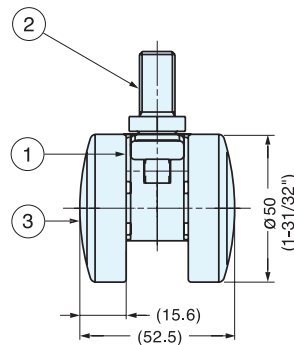
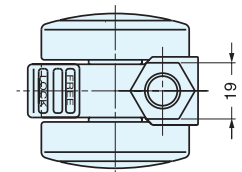
- Heavy duty and low profile.
- Twin wheel caster with excellent stability.



GX-50-N12  
(w/o Brake)



GX-50-N12S  
(w/ Brake)



Item No.	Load Capacity (kg)	Weight (g)	Box (pcs)	Carton (pcs)
GX-50-N12S	100 ( 220 lbs )	175	4	72
GX-50-N12	100 ( 220 lbs )	170		

No.	Part Name	Material	Finish
①	Body	Aluminum Alloy	Polished
②	Threaded Bolt	Steel	Yellow Zinc Chromate
③	Wheel	Polyamide	Black

## TWIN WHEEL CASTER (PLATE TYPE)



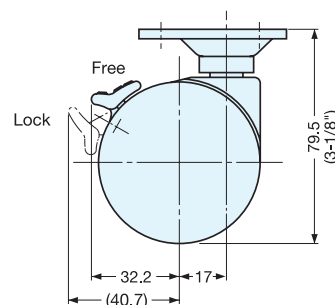
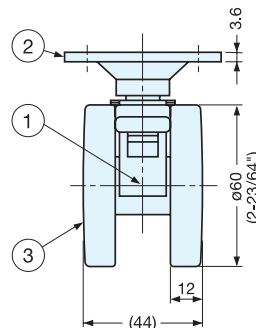
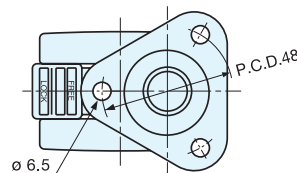
## GX-60-PS, P

- Heavy duty and low profile.
- Twin wheel caster with excellent stability.



GX-60-P  
(w/o Brake)

GX-60-PS  
(w/ Brake)



Item No.	Load Capacity (kg)	Weight (g)	Box (pcs)	Carton (pcs)
GX-60-PS	150 (330 lbs)	234	4	60
GX-60-P	150 (330 lbs)	229		

No.	Part Name	Material	Finish
①	Body	Aluminum Alloy	Polished
②	Mounting Plate	Steel	Yellow Zinc Chromate
③	Wheel	Polyamide	Black

## TWIN WHEEL CASTER (THREADED BOLT TYPE)



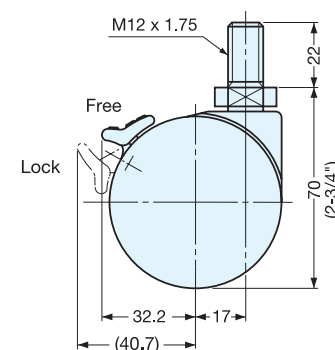
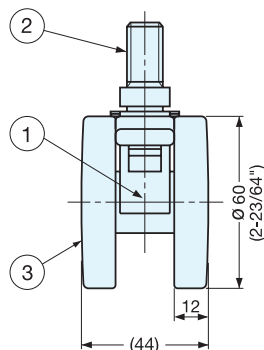
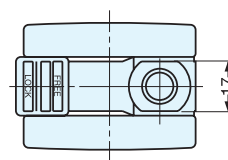
## GX-60-N12S, N12

- Heavy duty and low profile.
- Twin wheel caster with excellent stability.



GX-60-N12  
(w/o Brake)

GX-60-N12S  
(w/ Brake)



Item No.	Load Capacity (kg)	Weight (g)	Box (pcs)	Carton (pcs)
GX-60-N12S	150 (330 lbs)	185	4	60
GX-60-N12	150 (330 lbs)	180		

No.	Part Name	Material	Finish
①	Body	Aluminum Alloy	Polished
②	Threaded Bolt	Steel	Yellow Zinc Chromate
③	Wheel	Polyamide	Black

## TWIN WHEEL CASTER (PLATE TYPE)



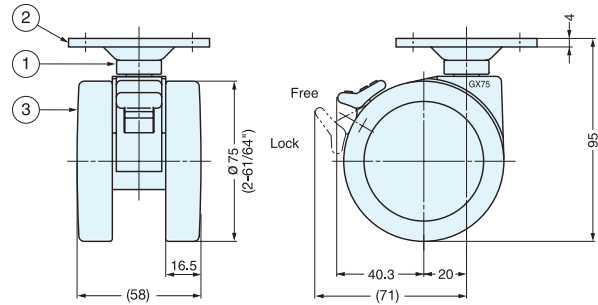
## GX-75-PS, P

- Heavy duty and low profile.
- Twin wheel caster with excellent stability.



GX-75-P  
(w/o Brake)

GX-75-PS  
(w/ Brake)



Item No.	Load Capacity (kg)	Weight (g)	Box (pcs)	Carton (pcs)
GX-75-PS	200 ( 438 lbs )	445	2	24
GX-75-P	200 ( 438 lbs )	430		

No.	Part Name	Material	Finish
①	Body	Aluminum Alloy	Polished
②	Mounting Plate	Steel	Yellow Zinc Chromate
③	Wheel	Polyamide	Black

## TWIN WHEEL CASTER (THREADED BOLT TYPE)



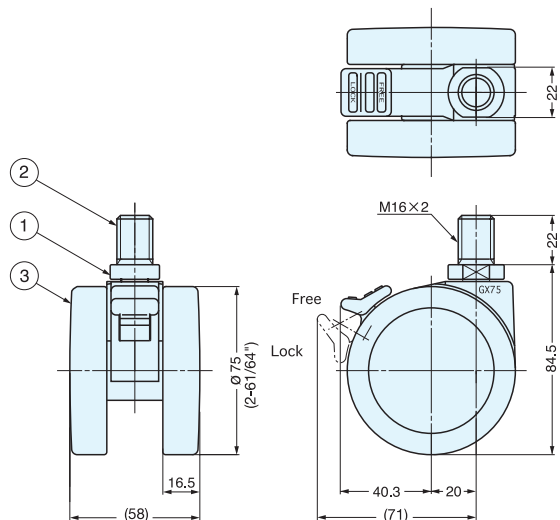
## GX-75-N16S, N16

- Heavy duty and low profile.
- Twin wheel caster with excellent stability.



GX-75-N16  
(w/o Brake)

GX-75-N16S  
(w/ Brake)



Item No.	Load Capacity (kg)	Weight (g)	Box (pcs)	Carton (pcs)
GX-75-N16S	200 ( 438 lbs )	350	2	24
GX-75-N16	200 ( 438 lbs )	340		

No.	Part Name	Material	Finish
①	Body	Aluminum Alloy	Polished
②	Threaded Bolt	Steel	Yellow Zinc Chromate
③	Wheel	Polyamide	Black

# TWIN WHEEL CASTER (NON-SWIVEL)

TEST 13  
P.660

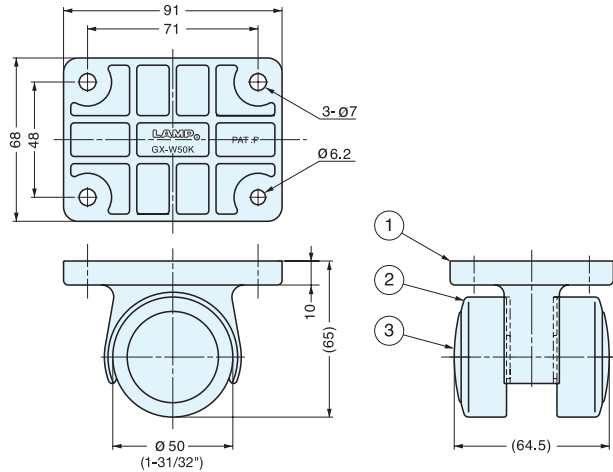
LOAD CAPACITY  
200 kg  
441 lbs



# GX-W50K



- Non-swivel (fixed) caster.
- Heavy duty and low profile.
- Twin wheel caster with excellent stability.
- Use in combination with GX-W50GN12, GN16 or GP (Swivel Type) for easy handling.



Item No.	Load Capacity (kg)	Weight (g)	Box (pcs)	Carton (pcs)
GX-W50K	200 ( 441 lbs )	300	2	48

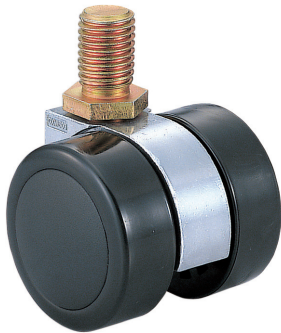
No.	Part Name	Material	Finish
①	Body	Aluminum Alloy	Polished
②	Wheel	Polyacetal	Black
③	Cover	Polyamide	

# TWIN WHEEL CASTER (THREADED BOLT & PLATE)

TEST 13  
P.660

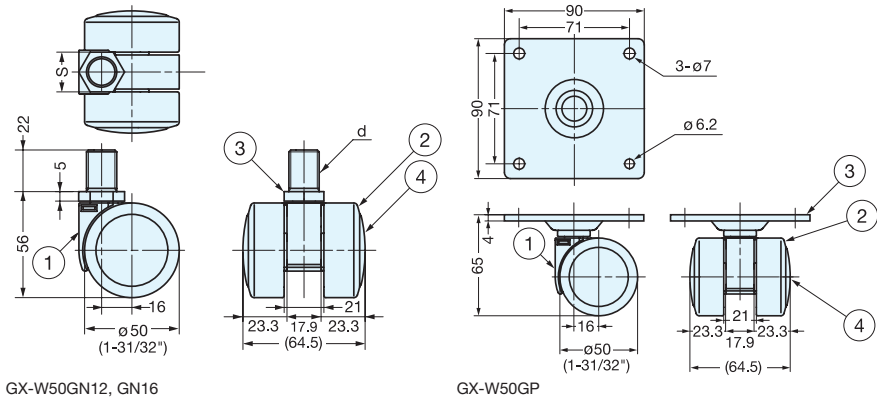
LOAD CAPACITY  
200 kg  
441 lbs

# GX-W50GN12, GN16, GP



GX-W50GN12, GN16  
(Threaded bolt type)

- Swivel type, heavy duty and low profile.
- Twin wheel caster with excellent stability.
- Use in combination with GX-W50K (Non-swivel type) for easy handling.
- Threaded bolt or plate type available.



Item No.	d	S	Load Capacity (kg)	Weight (g)	Box (pcs)	Carton (pcs)
GX-W50GN12	M12 x 1.75	19	200 ( 441 lbs )	208	4	80
GX-W50GN16	M16 x 2	21		223		
GX-W50GP	-	-		420		

No.	Part Name	Material	Finish
①	Body	Aluminum Alloy	Polished
②	Wheel	Polyacetal	Black
③	Threaded Bolt Mounting Plate (GP)	Steel	Yellow Zinc Chromate
④	Cover	Polyamide	Black

## DUAL BRAKE SYSTEM CASTER (PLATE TYPE)

**TEST 13**  
P.660

**LOAD CAPACITY**  
100 kg  
220 lbs

**NO SCREW**

## EX-100PS, P



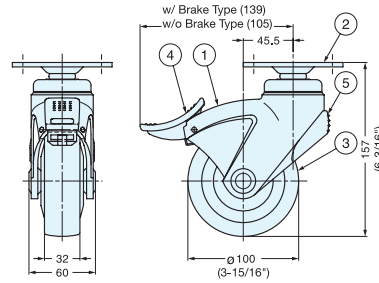
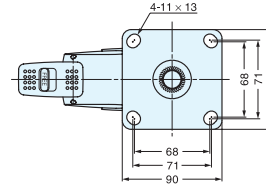
EX-100P  
(w/o Brake)

EX-100PS  
(w/Brake)



Lock Indicator

- Locks both wheel and swivel.
- Ball bearing equipped in both swivel and wheel to provide maximum smooth movement.
- Front rubber bumper protects from impact.
- Large brake lever and indicator for easy operation.



Item No.	Load Capacity (kg)	Weight (g)	Box (pcs)	Carton (pcs)
EX-100PS w/Brake	100 (220 lbs)	919	20	200
EX-100P w/o Brake		877		

No.	Part Name	Material	Finish
①	Body	Polyamide	Light Grey
②	Mounting Plate	Steel	Yellow Zinc Chromate
③	Wheel	Polyamide Polyurethane	Grey
④	Brake	Polyamide	
⑤	Rear Bumper	Elastomer	

## DUAL BRAKE SYSTEM CASTER (THREADED BOLT TYPE)

**TEST 13**  
P.660

**LOAD CAPACITY**  
100 kg  
220 lbs

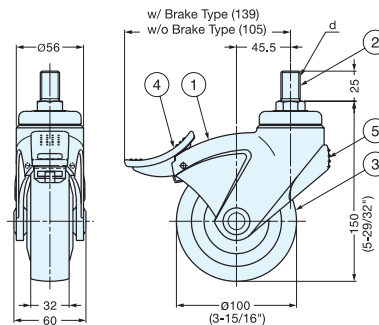
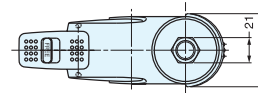
## EX-100N



(w/o Brake)

(w/Brake)

- Locks both wheel and swivel.
- Ball bearing equipped in both swivel and wheel to provide maximum smooth movement.
- Front rubber bumper protects from impact.
- Large brake lever and indicator for easy operation.



Item No.	d	Load Capacity (kg)	Weight (g)	Box (pcs)	Carton (pcs)
EX-100N12S w/Brake	M12×1.75	100 (220 lbs)	703	20	200
EX-100N12 w/o Brake	M12×1.75		658		
EX-100N16S w/Brake	M16×2		703		
EX-100N16 w/o Brake	M16×2		658		

No.	Part Name	Material	Finish
①	Body	Polyamide	Light Grey
②	Threaded Bolt	Steel	Yellow Zinc Chromate
③	Wheel	Polyamide Polyurethane	Grey
④	Brake(w/Brake type) Front Bumper(w/o Brake type)	Polyamide Elastomer	
⑤	Rear Bumper	Elastomer	

## DUAL BRAKE SYSTEM CASTER (PLATE TYPE)



## MX-125PS, P

CASTERS & LEVELING GLIDES

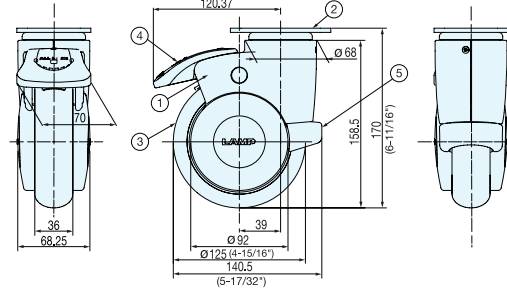
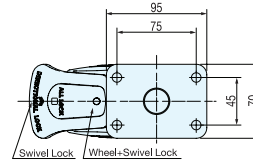
DUAL BRAKE SYSTEM CASTERS



w/o Brake

w/Brake

- Caster with clean appearance.
- Dual brake system.  
Can be locked on "swivel only" or "wheel and swivel" in one step.  
Large lock lever for swivel, and small lock lever for wheel.
- Easy operation.
- Works as rigid type when swivel locked for easy movability.



No.	Part Name	Material	Finish
①	Body	Polypropylene	Light Grey
②	Mounting Plate	Steel	Chromate
③	Wheel	Nylon/Polyurethane	Dark Grey
④	Brake	Nylon	Blue
⑤	Rear Bumper	Polyurethane	Dark Grey

Item No.		Load Capacity (kg)	Weight (g)	Box (pcs)	Carton (pcs)
MX-125PS	w/Brake	120 (264 lbs)	1450	2	8
MX-125P	w/o Brake		1350		

## DUAL BRAKE SYSTEM CASTER (THREADED BOLT TYPE)



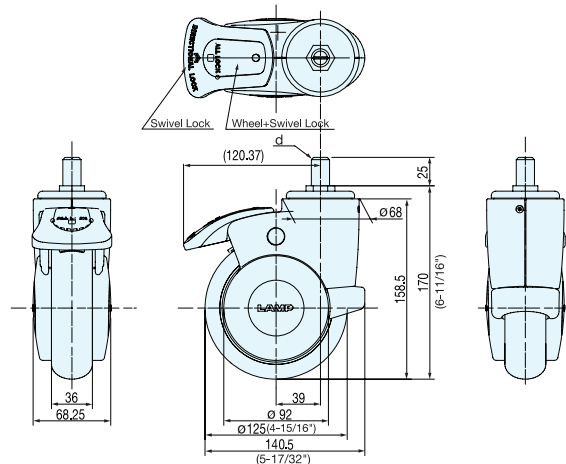
## MX-125N



w/o Brake

w/Brake

- Caster with clean appearance.
- Dual brake system.  
Can be locked on "swivel only" or "wheel and swivel" in one step.  
Large lock lever for swivel, and small lock lever for wheel.
- Easy operation.
- Works as rigid type when swivel locked for easy movability.



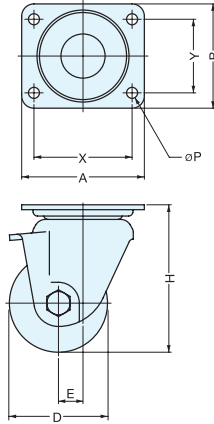
No.	Part Name	Material	Finish
①	Body	Polypropylene	Light Grey
②	Threaded Bolt	Steel	Chromate
③	Wheel	Nylon/Polyurethane	Dark Grey
④	Brake	Nylon	Blue
⑤	Rear Bumper	Polyurethane	Dark Grey

Item No.		d	Load Capacity (kg)	Weight (g)	Box (pcs)	Carton (pcs)
MX-125N16S	w/Brake	M16x2	120 (264 lbs)	1310	2	8
MX-125N16	w/o Brake			1210		

# LOW PROFILE HEAVY DUTY CASTER



**UHG**



- Low profile and heavy duty up to 816kg (1795 lbs), ideal for manufacturing equipment.
- Sealed ball bearing swivel assembly provides smooth and long-term service.
- Hexavalent chromium free. Using trivalent chromium for RoHS compliance.
- Choose wheel type from Phenolic, Reinforced Nylon, MC Nylon or Electro-conductive MC Nylon.
- All wheels equipped with heavy duty ball bearing.

\*Please specify wheel type when ordering.

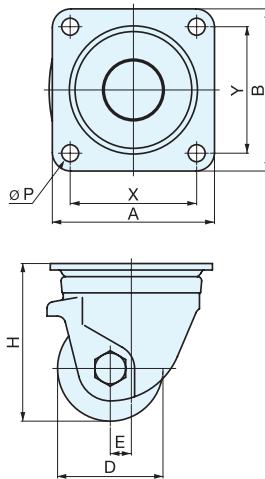
Part Name	Material	Finish
Body / Mounting Plate	Steel	Clear Zinc Chromate (Trivalent Chromium)
Wheel	Phenolic Resin (PB)	Black
	Reinforced Nylon (GFB)	
	MC Nylon (MC)	
	Electro-conductive MC Nylon (MCE)	

Item No.	Bearing in wheels	D	Wheel Width	H	A	B	X	Y	P	E	Swivel Radius	Load Capacity (kg)	Weight (g)	Box (pcs)	Carton (pcs)
UHG-50 (PB,MC,MCE)	With Bearing	50	38	79	84	84	64	64	8.5	11	49	408 ( 898 lbs)	820	20	200
UHG-65 (PB,GFB,MC,MCE)		65	48	97	100	100	78	78	10.5	14	57	510 (1122 lbs)	1540	12	120
UHG-75 (PB,GFB,MC,MCE)		75	48	107	100	100	78	78	10.5	14	57	612 (1347 lbs)	1625	12	120
UHG-80MC		80	48	120	100	85	80	60	9	20	62	816 (1795 lbs)	1680	12	120
UHG-100MC		100	48	140	150	110	121	59	13	20	72	816 (1795 lbs)	2160	8	80

# LOW PROFILE HEAVY DUTY CASTER



**HG**



- Low profile and heavy duty up to 255kg (561 lbs), ideal for manufacturing equipment.
- Hardened frame for maximum rigidity and strength.
- Sealed ball bearing swivel assembly provides smooth and long-term service.
- Hexavalent chromium free. Using trivalent chromium for RoHS compliance.
- Two wheel types:
  - Phenolic
  - Reinforced Nylon with ball bearing spindle
- Wheel brake available on special order.

Part Name	Material	Finish
Body	Steel	Clear Zinc Chromate (Trivalent Chromium)
Mounting Plate		
Wheel	Reinforced Nylon(GNB)	Black
	Phenolic Resin(PB)	

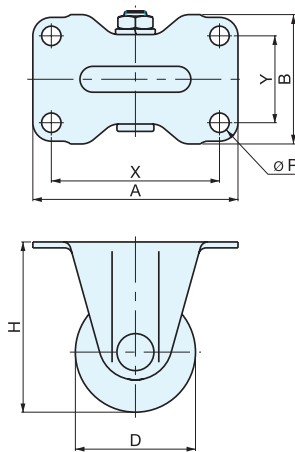
Item No.	Bearing in wheels	D	Wheel Width	H	A	B	X	Y	P	E	Swivel Radius	Load Capacity (kg)	Weight (g)	Box (pcs)	Carton (pcs)
HG-50GNB	Without Bearing	50	28	68	50	50	64	64	6.5	25	51	163 (359 lbs)	320	36	600
HG-65PB	With Bearing	65	38	92	90	90	71	71	10.5	22	57	255 (561 lbs)	880	20	200
HG-75PB		75	38	106	90	90	71	71	10.5	22	61	306 (675 lbs)	970	20	120



# LOW PROFILE HEAVY DUTY CASTER



HR



- Low profile and heavy duty up to 255kg (561 lbs), ideal for manufacturing equipment.
- Hardened frame for maximum rigidity and strength.
- Hexavalent chromium free. Using trivalent chromium for RoHS compliance.
- Two wheel types:
  - Phenolic
  - Reinforced Nylon with ball bearing spindle

Part Name	Material	Finish
Body	Steel	Clear Zinc Chromate (Trivalent Chromium)
Mounting Plate		
Wheel	Reinforced Nylon(GNB)	Black
	Phenolic Resin(PB)	

Item No.	Bearing in wheels	D	Wheel Width	H	A	B	X	Y	P	Load Capacity (kg)	Weight (g)	Box (pcs)	Carton (pcs)
HR-50GNB	Without Bearing	50	28	68	80	50	66	36	6.5	163 (359 lbs)	200	36	600
HR-65PB	With Bearing	65	38	92	111	67	91	47	10.5	234 (516 lbs)	615	12	120
HR-75PB		75	38	106	123	72	103	52	10.5	255 (561 lbs)	725	12	120

## CASTER COMBINATION – SET UP

Better



Cost	Stability	Control	Load Capacity
A	B / C	A / B	E
B / C / D	D / E	D / E	B / C / D
E	A	C	A

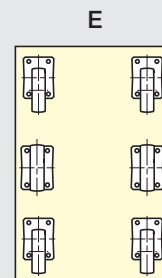
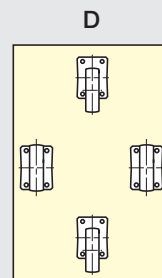
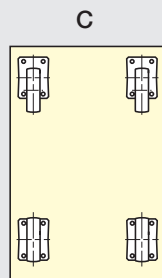
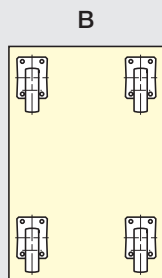
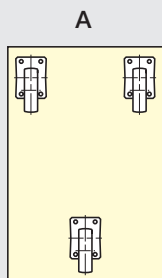
A: TYPE - 3 x Swivel  
SET UP - 2 + 1 Triangle

B: TYPE - 4 x Swivel  
SET UP - Square

C: TYPE - 2 x Swivel & 2 x Fix  
SET UP - Square

D: TYPE - 2 x Swivel & 2 x Fix  
SET UP - Rhombus

E: TYPE - 4 x Swivel & 2 x Fix (Middle)  
SET UP - Square



# CASTER WITH LEVELING GLIDE



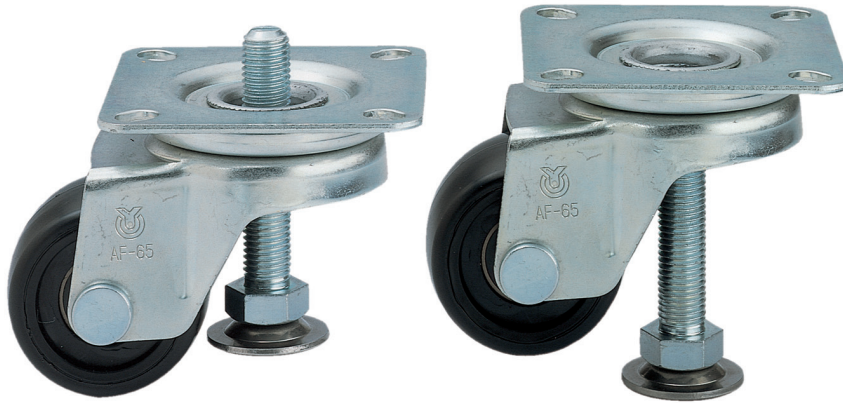
**LOAD CAPACITY**  
255 kg  
561 lbs

## AF-50, 65

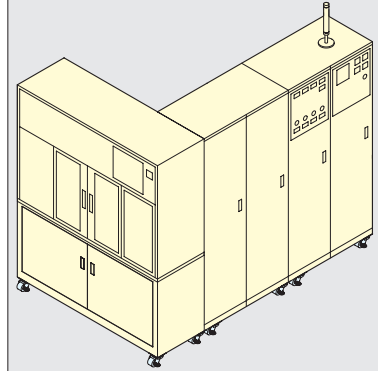
CASTERS & LEVELING GLIDES

CASTERS WITH LEVELING GLIDES

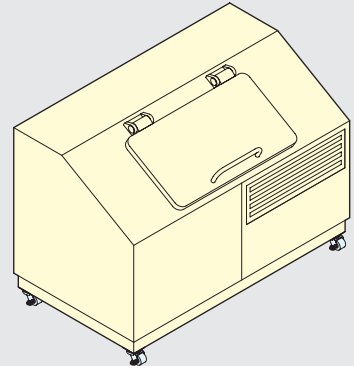
- Heavy duty, low profile caster with built-in leveling glide.
- Allows solid support by leveler once equipment is in place.
- Simplifies mounting as leveler is integrated with caster.



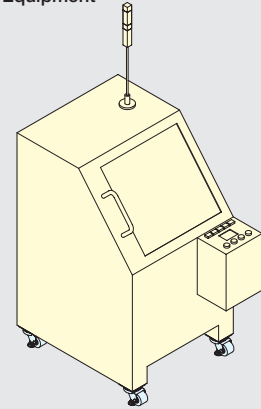
Semiconductor Equipment



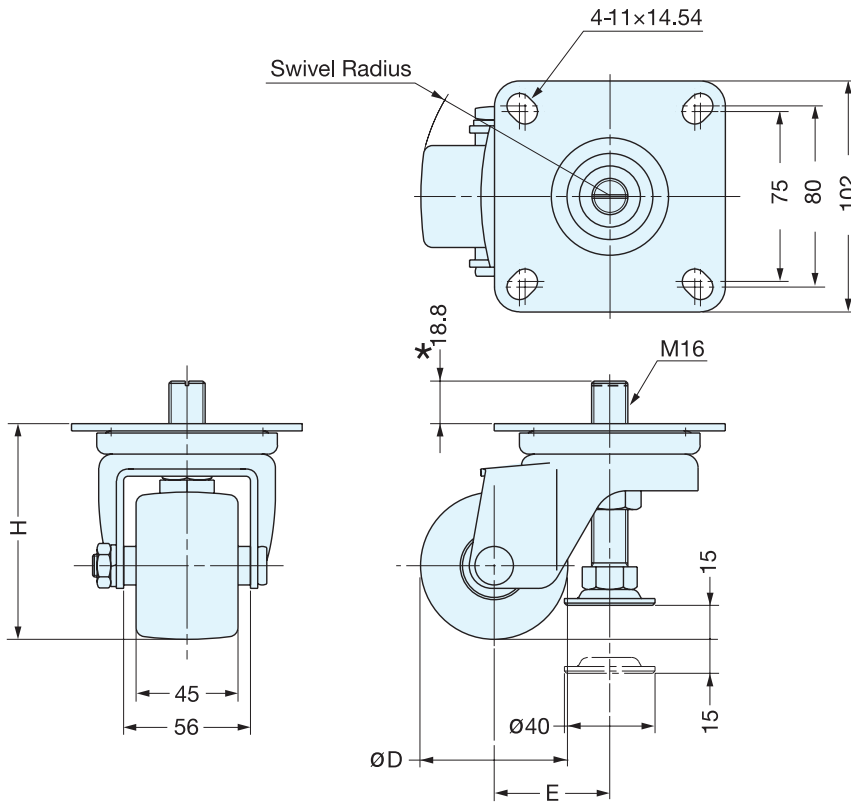
Garbage Container



Laser Equipment



Installation



\*Round cut out or bore is required for bolt of leveler.

Part Name	Material	Finish
Body	Steel	Chrome
Wheel	Nylon	Black

Item No.	D	H	E	Swivel Radius	Load Capacity (kg)	Weight (g)	Box (pcs)	Carton (pcs)
AF-50	50	74	46	73	255 (561 lbs)	1205	18	180
AF-65	65	95	51	85	255 (561 lbs)	1335	12	120

# PARTS SEPARABLE CASTER (W/GLIDE)



CA

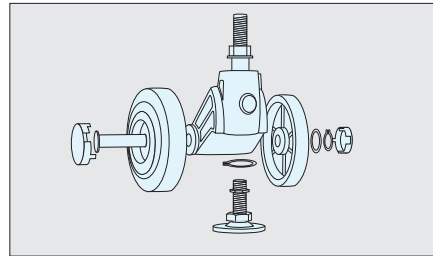
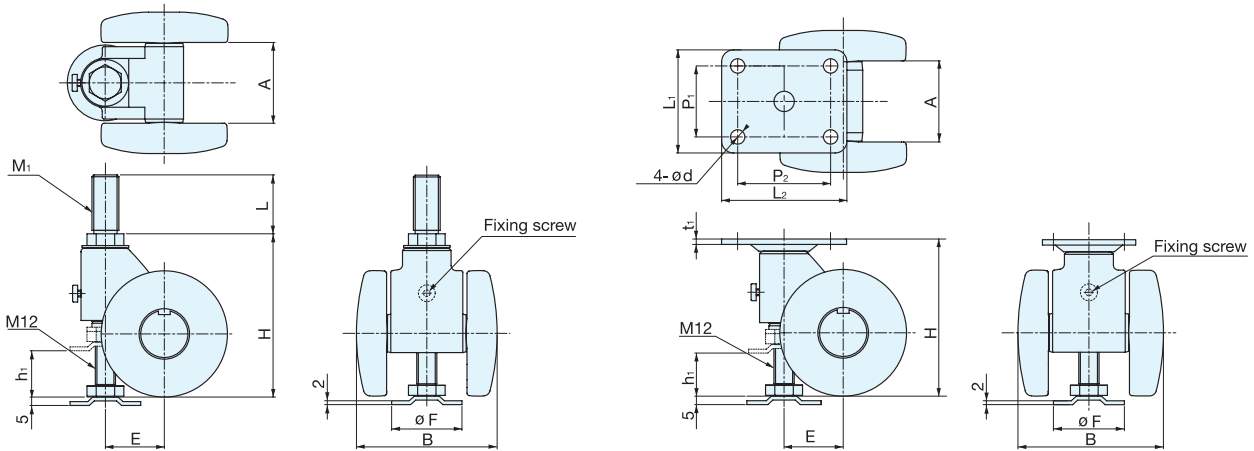


CABF-75/BLK

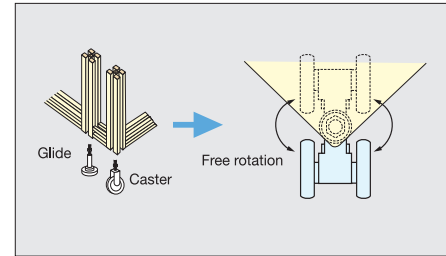


CAPS-50/WHT

- Built-in leveling glide allows easy installation rather than installing two separate parts.
- Glides provide better stability than regular caster with stopper.
- Caster body rotates freely when raised by the glide. Tighten fixing screw to fix the position.
- Parts can be easily separated for recycling purpose.



• Parts can be easily separated for recycling purpose.



- Built-in leveling glide allows easy installation rather than installing two separate parts.
- Caster body rotates freely when raised by the glide. Tighten fixing screw to fix the position.

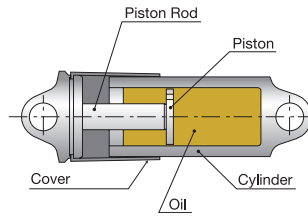
Part Name	Material	
	CABF, CAPF	CABS, CAPS
Body / Wheel	Polyamide (Black, White)	Polyamide (White)
Glide	Steel (Yellow Zinc Chromate)	304 Stainless Steel (Passivated)
Threaded Bolt		
Plate		

Item No.		Type	H	h1	E	F	A	B	L	L1	L2	P1	P2	d	t1	M1	Load Capacity (kg)	Weight (g)	Box (pcs)	Carton (pcs)
Black	White																			
CABF-50/BLK	CABF-50/WHT	Stem	67	10	30	34	40	69	35	-	-	-	-	-	-	M12	60 (132 lbs)	260	40	400
CABF-75/BLK	CABF-75/WHT		95	24	35	42	50	84								M16	120 (264 lbs)	400	20	200
-	CABS-50/WHT		67	10	30	34	40	69								M12	60 (132 lbs)	262	40	400
-	CABS-75/WHT		95	24	35	42	50	84								M16	120 (264 lbs)	402	20	200
CAPF-50/BLK	CAPF-50/WHT	Plate	63	10	30	34	40	69	-	61	74	42	55	8.5	3.2	-	60 (132 lbs)	306	40	400
CAPF-75/BLK	CAPF-75/WHT		92	24	35	42	50	84									120 (264 lbs)	424	20	200
-	CAPS-50/WHT		63	10	30	34	40	69									60 (132 lbs)	300	40	400
-	CAPS-75/WHT		92	24	35	42	50	84									120 (264 lbs)	420	20	200

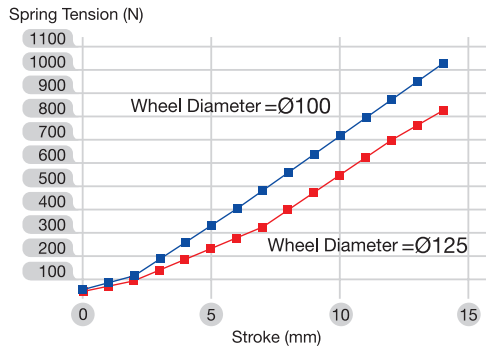
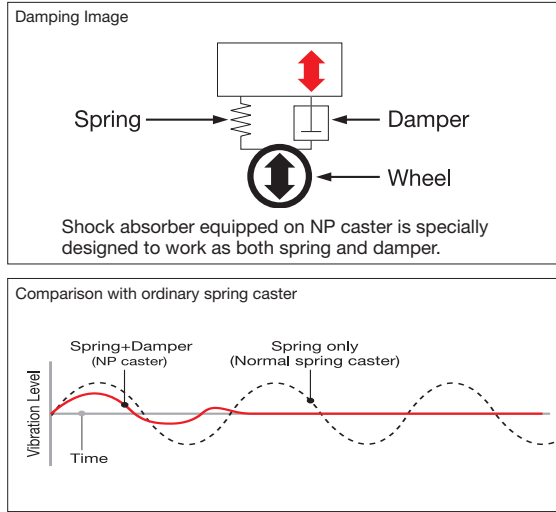
# SHOCK-ABSORBING CASTER

Shock absorber reduces initial shock and also settles vibration quickly. With less shock and vibration, it reduces particles which causes air contamination up to 85%, compared to non-damping casters.

## Shock Absorbing Damper



## Shock Absorbing Performance



# SHOCK-ABSORBING CASTER (PLATE TYPE)

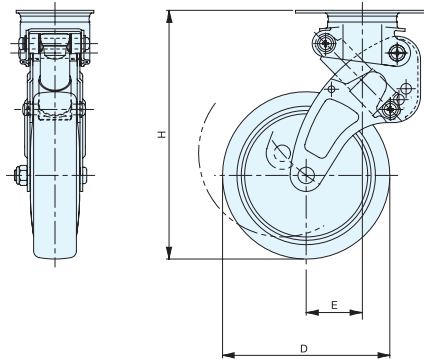
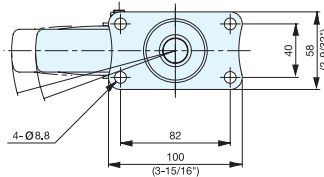
**LOAD CAPACITY**  
30 kg  
66 lbs

**STAINLESS**  
304  
STEEL

**NO SCREW**

**NPG**

**Discontinued**



- Swivel type
- Built-in shock absorber provides less vibration and noise.
- Ideal for carts which carry delicate product such as electronic instruments.
- Stainless steel construction with antistatic polyurethane wheel, ideal for clean room application.
- Insulation resistance value:  $4.8 \times 10^6 \Omega$ .
- Operating temperature:  $10^\circ\text{C} \sim 30^\circ\text{C}$  ( $50^\circ\text{F} \sim 86^\circ\text{F}$ )
- Available option (special order): Steel body, wheel in Nylon or Polyurethane.

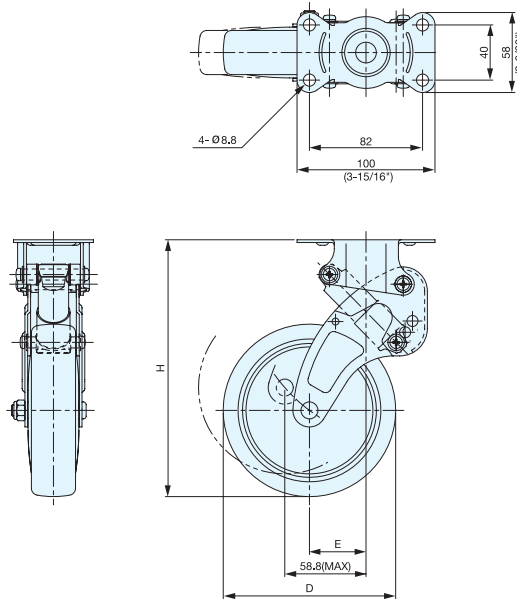
"Without Brake" type shown.

Part Name	Material	Finish/Color
Body	304 Stainless Steel	Plain
Wheel	Antistatic Polyurethane	Yellow

Item No.	Brake	D	Wheel Width	H	E	Load Capacity (kg)	Weight (g)	Box (pcs)	Carton (pcs)
NPG-100SUES3	With	100	28	165~151	35~51	30 (66 lbs)	934	20	200
NPG-100SUE3	Without	100	28	165~151	35~51	30 (66 lbs)	823	25	250
NPG-125SUES3	With	125	32	186~170	42~59	30 (66 lbs)	1063	15	150
NPG-125SUE3	Without	125	32	186~170	42~59	30 (66 lbs)	947	20	200

# SHOCK-ABSORBING CASTER (PLATE TYPE)

**LOAD CAPACITY**  
 30 kg  
 66 lbs

**STAINLESS**  
**304**  
**STEEL**
  
**NO SCREW**
**NPR**
**Discontinued**


- Non-swivel (fixed) type
- Built-in shock absorber provides less vibration and noise.
- Ideal for carts which carry delicate product such as electronic instruments.
- Stainless steel construction with antistatic polyurethane wheel, ideal for clean room application.
- Insulation resistance value:  $4.8 \times 10^8 \Omega$ .
- Operating temperature:  $10^\circ\text{C} \sim 30^\circ\text{C}$  ( $50^\circ\text{F} \sim 86^\circ\text{F}$ )
- Available option (special order): Steel body, wheel in Nylon, or Polyurethane.

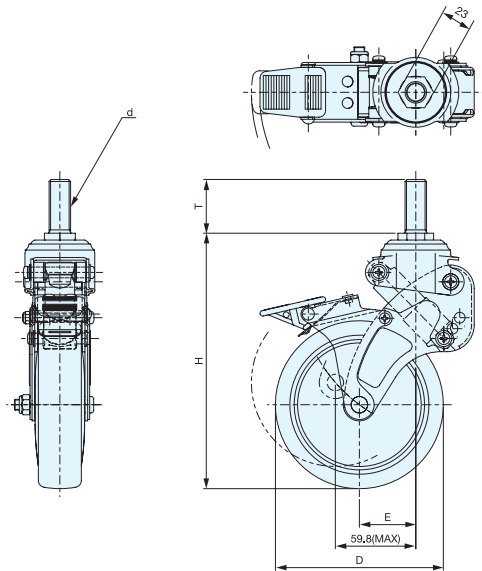
"Without Brake" type shown.

Part Name	Material	Finish/Color
Body	304 Stainless Steel	Plain
Wheel	Antistatic Polyurethane	Yellow

Item No.	Brake	D	Wheel Width	H	E	Load Capacity (kg)	Weight (g)	Box (pcs)	Carton (pcs)
NPR-100SUES3	With	100	28	165~151	35~51	30 (66 lbs)	835	20	200
NPR-100SUE3	Without	100	28	165~151	35~51	30 (66 lbs)	724	25	250
NPR-125SUES3	With	125	32	186~170	42~59	30 (66 lbs)	964	15	150
NPR-125SUE3	Without	125	32	186~170	42~59	30 (66 lbs)	848	20	200

# SHOCK-ABSORBING CASTER (THREADED BOLT TYPE)

**LOAD CAPACITY**  
 30 kg  
 66 lbs

**STAINLESS**  
**304**  
**STEEL**
**NPT**
**Discontinued**


- Built-in shock absorber provides less vibration and noise.
- Ideal for carts which carry delicate product such as electronic instruments.
- Stainless steel construction with antistatic polyurethane wheel, ideal for clean room application.
- Insulation resistance value:  $4.8 \times 10^8 \Omega$ .
- Operating temperature:  $10^\circ\text{C} \sim 30^\circ\text{C}$  ( $50^\circ\text{F} \sim 86^\circ\text{F}$ )
- Available option (special order): Steel body, wheel in Nylon, or Polyurethane.

"With Brake" type shown.

Part Name	Material	Finish/Color
Body	304 Stainless Steel	Plain
Wheel	Antistatic Polyurethane	Yellow

Item No.	Brake	D	Wheel Width	T	d	H	E	Load Capacity (kg)	Weight (g)	Box (pcs)	Carton (pcs)
NPT-100SUES3	With	100	28	35	M12x1.75	169~155	35~51	30 (66 lbs)	921	20	200
NPT-100SUE3	Without	100	28	35	M12x1.75	169~155	35~51	30 (66 lbs)	809	25	250
NPT-125SUES3	With	125	32	40	M16x2.0	190~174	42~59	30 (66 lbs)	1078	15	150
NPT-125SUE3	Without	125	32	40	M16x2.0	190~174	42~59	30 (66 lbs)	962	20	200

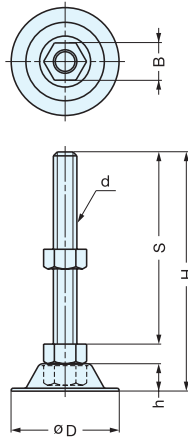
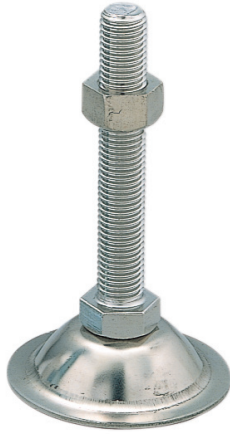
## STAINLESS STEEL LEVELING GLIDE



**LOAD CAPACITY**  
300-880 kg  
660-1938 lbs

**STAINLESS**  
**304**  
**STEEL**

### ADPS



- Nut on bottom of glide allows easy installation and height adjustment with socket wrench.

Material	Finish
304 Stainless Steel	Polished

Item No.	D	H	h	S	B	d	Load Capacity (kg)	Weight (g)	Box (pcs)	Carton (pcs)
ADPS37- 8- 60	37 ( 1-26/64" )	76 ( 3" )	10.5	60	13	M 8 x 1.25	300 ( 660 lbs )	56	200	2000
ADPS37-10- 50	37 ( 1-26/64" )	67.5 ( 2-21/32" )	10.5	50	17	M10 x 1.5	300 ( 660 lbs )	78	200	2000
ADPS55-12-100	55 ( 2-5/32" )	122 ( 4-13/16" )	14	100	19	M12 x 1.75	300 ( 660 lbs )	174	100	1000
ADPS55-12-120	55 ( 2-5/32" )	142 ( 5-19/32" )	14	120	19	M12 x 1.75	300 ( 660 lbs )	187	80	800
ADPS55-12-150	55 ( 2-5/32" )	172 ( 6-25/32" )	14	150	19	M12 x 1.75	300 ( 660 lbs )	210	70	700
ADPS75-16-100	75 ( 2-61/64" )	128 ( 5-1/32" )	18	100	24	M16 x 2	560 ( 1233 lbs )	318	50	500
ADPS75-16-130	75 ( 2-61/64" )	158 ( 6-7/32" )	18	130	24	M16 x 2	560 ( 1233 lbs )	358	40	400
ADPS75-16-150	75 ( 2-61/64" )	178 ( 7" )	18	150	24	M16 x 2	560 ( 1233 lbs )	382	30	300
ADPS75-16-180	75 ( 2-61/64" )	208 ( 8-3/16" )	18	180	24	M16 x 2	560 ( 1233 lbs )	426	30	300
ADPS75-20-100	75 ( 2-61/64" )	131 ( 5-5/32" )	18	100	30	M20 x 2.5	880 ( 1938 lbs )	490	40	400
ADPS75-20-130	75 ( 2-61/64" )	161 ( 6-11/32" )	18	130	30	M20 x 2.5	880 ( 1938 lbs )	553	30	300
ADPS75-20-150	75 ( 2-61/64" )	181 ( 7-1/8" )	18	150	30	M20 x 2.5	880 ( 1938 lbs )	593	30	300
ADPS75-20-180	75 ( 2-61/64" )	211 ( 8-5/16" )	18	180	30	M20 x 2.5	880 ( 1938 lbs )	655	25	250

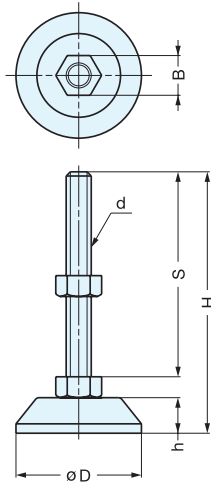
## STAINLESS STEEL LEVELING GLIDE



**LOAD CAPACITY**  
300-880 kg  
660-1938 lbs

**STAINLESS**  
**304**  
**STEEL**

### ADCS



- Nut on bottom of glide allows easy installation and height adjustment with socket wrench.

Material	Finish
304 Stainless Steel	Plain

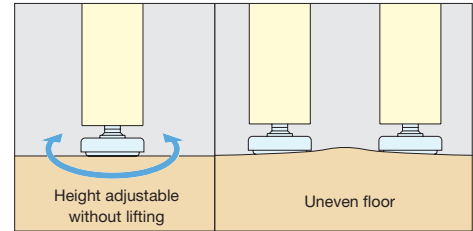
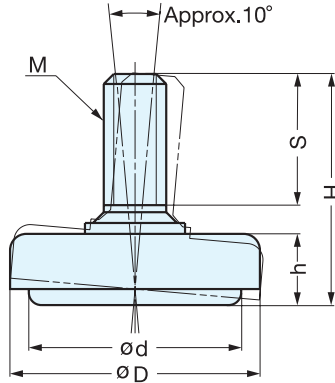
Item No.	D	H	h	S	B	d	Load Capacity (kg)	Weight (g)	Box (pcs)	Carton (pcs)
ADCS60-12-120	60 ( 2-23/64" )	145 ( 5-45/64" )	17	120	19	M12 x 1.75	300 ( 660 lbs )	365	60	600
ADCS60-16-100	60 ( 2-23/64" )	127 ( 5" )	17	100	24	M16 x 2	560 ( 1233 lbs )	440	50	500
ADCS60-16-130	60 ( 2-23/64" )	157 ( 6-3/16" )	17	130	24	M16 x 2	560 ( 1233 lbs )	480	50	500
ADCS60-16-180	60 ( 2-23/64" )	207 ( 8-5/32" )	17	180	24	M16 x 2	560 ( 1233 lbs )	550	35	350
ADCS60-20-100	60 ( 2-23/64" )	130 ( 5-1/8" )	17	100	30	M20 x 2.5	880 ( 1938 lbs )	590	40	400
ADCS60-20-130	60 ( 2-23/64" )	160 ( 6-19/64" )	17	130	30	M20 x 2.5	880 ( 1938 lbs )	650	40	400
ADCS60-20-150	60 ( 2-23/64" )	180 ( 7-3/32" )	17	150	30	M20 x 2.5	880 ( 1938 lbs )	690	35	350
ADCS60-20-180	60 ( 2-23/64" )	210 ( 8-17/64" )	17	180	30	M20 x 2.5	880 ( 1938 lbs )	750	30	300

# LEVELING GLIDE



MKP

- Double structure of cover/bolt and base allow easy height adjustment without lifting the leg.
- Swivels approximately 10° to compensate for uneven floors.



Material	Finish
Steel	Chrome

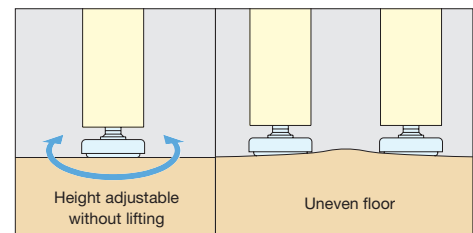
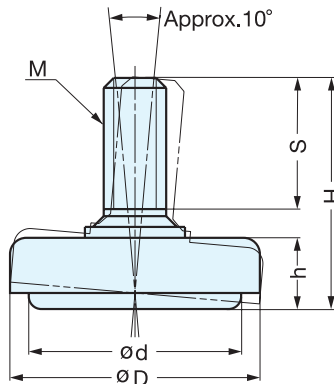
Item No.	M	D	d	H	h	S	Load Capacity (kg)	Weight (g)	Box (pcs)	Carton (pcs)
MKP-32	W3/8-16	32 ( 1-17/64" )	27	36 ( 1-27/64" )	11	21	160 ( 352 lbs )	44	80	480
MKP-40	W3/8-16	40 ( 1-37/64" )	34	37 ( 1-29/64" )	11.4	21	160 ( 352 lbs )	65	50	300
MKP-50	W3/8-16	50 ( 1-31/32" )	44	37.5 ( 1-15/32" )	11.5	21	120 ( 264 lbs )	90	20	120

# STAINLESS STEEL LEVELING GLIDE



MKPS

- Double structure of cover/bolt and base allow easy height adjustment without lifting the leg.
- Swivels approximately 10° to compensate for uneven floors.
- 304 stainless steel construction is ideal for humid environments or application where corrosion is an issue.



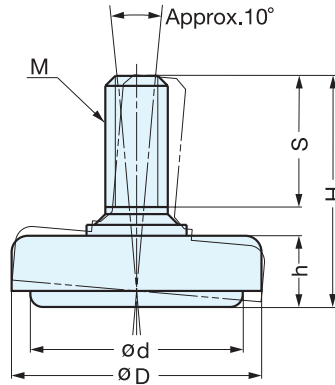
Material	Finish
Stainless Steel	Satin

Item No.	M	D	d	H	h	S	Load Capacity (kg)	Weight (g)	Box (pcs)	Carton (pcs)
MKPS-32N3	W3/8-16	32 ( 1-17/64" )	27	36 ( 1-27/64" )	11	21	200 ( 440 lbs )	50	60	480
MKPS-40N3	W3/8-16	40 ( 1-37/64" )	34	37 ( 1-29/64" )	11.4	21	320 ( 704 lbs )	70	40	320
MKPS-50N3	W3/8-16	50 ( 1-31/32" )	44	37.5 ( 1-15/32" )	11.5	21	360 ( 792 lbs )	95	30	240
MKPS-60M12	M12x1.75	60 ( 2-23/64" )	54	51.5 ( 2-1/32" )	11.5	35	400 ( 881 lbs )	140	15	120

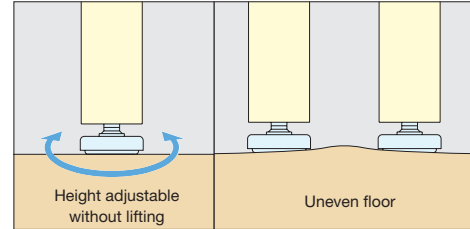
# LEVELING GLIDE (W/RUBBER PAD)



**MKR**



- Leveling glide with elastomer base to prevent skidding.
- Double structure of cover/bolt and base allow easy height adjustment without lifting the leg.
- Swivels approximately 10° to compensate for uneven floors.



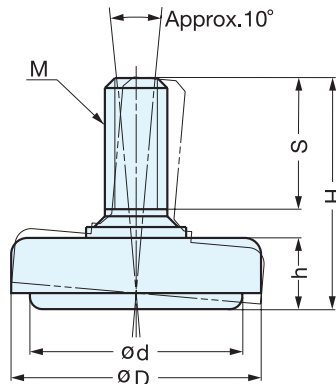
Part Name	Material	Finish
Body	Steel	Chrome
Base	Elastomer	Black

Item No.	M	D	d	H	h	S	Load Capacity (kg)	Weight (g)	Box (pcs)	Carton (pcs)
MKR-32	W3/8-16	32 ( 1-17/64" )	27	36 ( 1-27/64" )	11	21	40 ( 88 lbs )	41	80	480
MKR-40	W3/8-16	40 ( 1-37/64" )	34	37 ( 1-29/64" )	11.4	21	60 ( 132 lbs )	60	50	300
MKR-50	W3/8-16	50 ( 1-31/32" )	44	37.5 ( 1-15/32" )	11.5	21	60 ( 132 lbs )	87	20	120

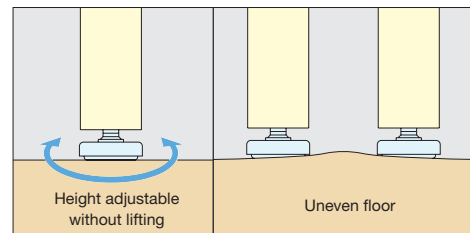
# STAINLESS STEEL LEVELING GLIDE (W/RUBBER PAD)



**MKRS**



- Leveling glide with elastomer base to prevent skidding.
- Double structure of cover/bolt and base allow easy height adjustment without lifting the leg.
- Swivels approximately 10° to compensate for uneven floors.
- 304 stainless steel construction is ideal for humid environments or application where corrosion is an issue.



\*\*\* Only Item No. MKRS-50N3 is not RoHS compliant.

Part Name	Material	Finish
Body	Stainless Steel	Satin
Base	Elastomer	Black

Item No.	M	D	d	H	h	S	Load Capacity (kg)	Weight (g)	Box (pcs)	Carton (pcs)
MKRS-32N3	W3/8-16	32 ( 1-17/64" )	27	36 ( 1-27/64" )	11	21	40 ( 88 lbs )	50	60	480
MKRS-40N3	W3/8-16	40 ( 1-37/64" )	34	37 ( 1-29/64" )	11.4	21	80 ( 176 lbs )	70	40	320
MKRS-50N3	W3/8-16	50 ( 1-31/32" )	44	37.5 ( 1-15/32" )	11.5	21	100 ( 220 lbs )	90	30	240
MKRS-60M12	M12x1.75	60 ( 2-23/64" )	54	51.5 ( 2-1/32" )	11.5	35	100 ( 220 lbs )	150	15	120
MKRS-70M14	M14x2	70 ( 2-3/4" )	64	51.5 ( 2-1/32" )	11.5	35	100 ( 220 lbs )	200	15	120



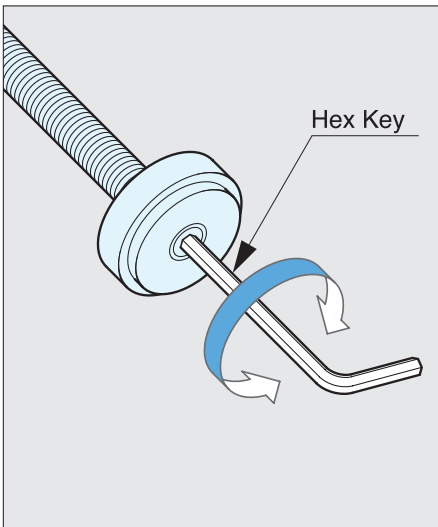
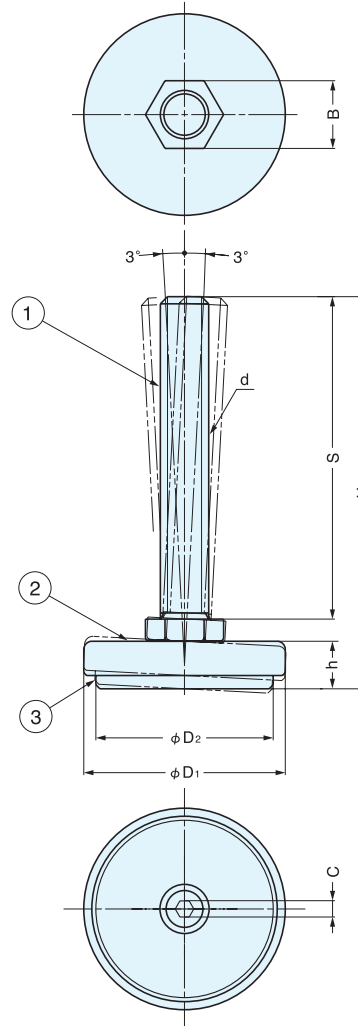
# LEVELING GLIDE

TEST 12  
P.660

LOAD CAPACITY  
60-200 kg  
132-440 lbs

MKRL

- Double structure of cover/bolt and base allow easy height adjustment without lifting the leg.
- Has hex socket on bottom for allen key to allow easy installation.



Height can be adjusted by 4mm hex key (not included)

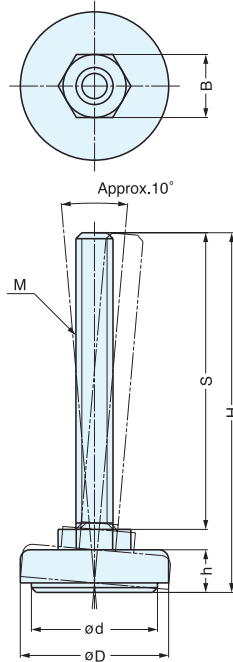
No.	Part Name	Material	Finish
①	Bolt	Steel	Black Zinc Chromate
②	Cover		
③	Base	Elastomer	Black

Item No.	D <sub>1</sub>	D <sub>2</sub>	H	h	S	B	C	d	Load Capacity (kg)	Weight (g)	Box (pcs)	Carton (pcs)
MKRL- 32-10- 80 B6	32	27	95.8	10.8	80	17	4	M10x1.5	60 ( 132 lbs)	77	30	300
MKRL- 32-12- 66 B6	32	27	81.8	10.8	66	17	4	M12x1.75	75 ( 165 lbs)	84	30	300
MKRL- 32-12- 80 B6	32	27	95.8	10.8	80	17	4	M12x1.75	60 ( 132 lbs)	94	30	300
MKRL- 40-10- 80 B6	40	34	96.2	11.2	80	17	4	M10x1.5	60 ( 132 lbs)	95	25	250
MKRL- 40-12- 32 B6	40	34	48.2	11.2	32	17	4	M12x1.75	60 ( 132 lbs)	78	30	300
MKRL- 40-12- 43 B6	40	34	59	11.2	43	17	4	M12x1.75	60 ( 132 lbs)	86	25	250
MKRL- 40-12- 55 B6	40	34	71.2	11.2	55	17	4	M12x1.75	60 ( 132 lbs)	94	25	250
MKRL- 40-12- 80 B6	40	34	96.2	11.2	80	17	4	M12x1.75	60 ( 132 lbs)	112	25	250
MKRL- 50-10- 80 B6	50	44	96.8	11.8	80	17	4	M10x1.5	60 ( 132 lbs)	122	20	200
MKRL- 50-12- 80 B6	50	44	96.8	11.8	80	17	4	M12x1.75	60 ( 132 lbs)	138	20	200
MKRL- 50-12- 120 B6	50	44	136.8	11.8	120	17	4	M12x1.75	60 ( 132 lbs)	168	10	100
MKRL- 50-16- 78 B6	50	44	100.3	11.8	78.5	24	4	M16x2	80 ( 176 lbs)	214	15	120
MKRL- 70-20- 101 B6	70	64	124.5	11.5	101	30	4	M20x2.5	80 ( 176 lbs)	448	8	64
MKRL- 100-20- 76 B6	100	92.5	101	12.5	76	30	6	M20x2.5	200 ( 440 lbs)	557	6	24
MKRL- 100-20- 101 B6	100	92.5	126	12.5	101	30	6	M20x2.5	200 ( 440 lbs)	609	6	24

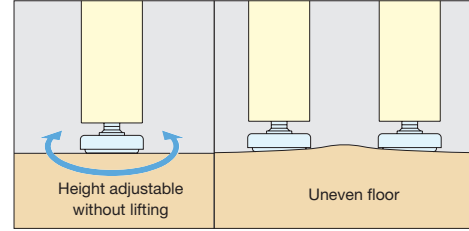
**STAINLESS STEEL LONG-STEM LEVELING GLIDE**



**MKPLS**



- Double structure of cover/bolt and base allow easy height adjustment without lifting the leg.
- Swivels approximately 10° to compensate for uneven floors.
- 304 stainless steel construction is ideal for humid environments or application where corrosion is an issue.



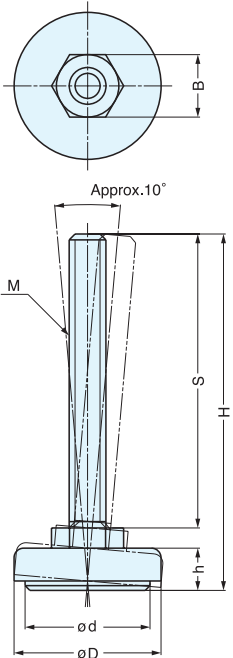
Part Name	Material	Finish
Body	Stainless Steel	Satin
Cover		Plain
Base		

Item No.	M	D	d	H	h	S	B	Load Capacity (kg)	Weight (g)	Box (pcs)	Carton (pcs)
MKPLS-32/10/80	M10x1.5	32 (1-17/64")	27	96 (3-25/32")	10.5	80	17	200 ( 440 lbs )	79	30	240
MKPLS-40/12/80	M12x1.75	40 (1-37/64")	34	97 (3-13/16")	11.5			300 ( 660 lbs )	125		
MKPLS-50/12/80	M16x2	50 (1-31/32")	44	100 (3-15/16")	11.5	78.5	24	340 ( 748 lbs )	150	20	160
MKPLS-50/16/78								320 ( 704 lbs )	220	15	120

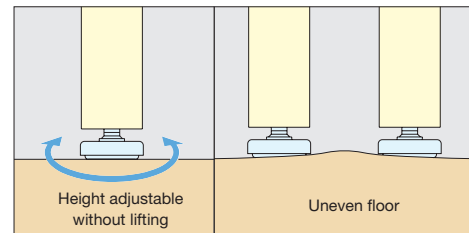
**STAINLESS STEEL LONG-STEM LEVELING GLIDE**



**MKRLS**



- Double structure of cover/bolt and base allow easy height adjustment without lifting the leg.
- Swivels approximately 10° to compensate for uneven floors.
- Leveling glide with elastomer base to prevent skidding.



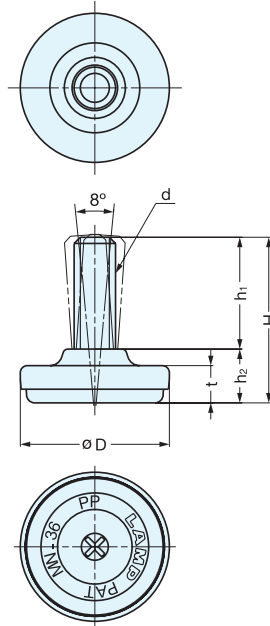
Part Name	Material	Finish
Body	Stainless Steel	Satin
Base	Elastomer	Black

Item No.	M	D	d	H	h	S	B	Load Capacity (kg)	Weight (g)	Box (pcs)	Carton (pcs)
MKRLS-32/10/80	M10x1.5	32 (1-17/64")	27	96 (3-25/32")	11	80	17	80 ( 176 lbs )	76	30	240
MKRLS-40/12/80	M12x1.75	40 (1-37/64")	34	97 (3-13/16")	11.5			100 ( 220 lbs )	120		
MKRLS-50/12/80	M16x2	50 (1-31/32")	44	100 (3-15/16")	11.5	78.5	24	100 ( 220 lbs )	140	20	160
MKRLS-50/16/78								80 ( 176 lbs )	215	15	120

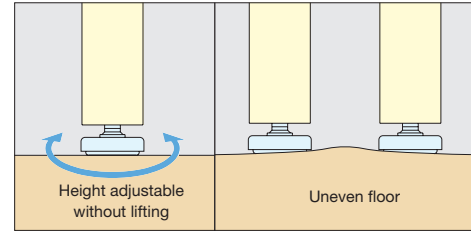
# LEVELING GLIDE



MN



- Easy installation with phillips screw driver.
- Swivels approximately 8° to compensate for uneven floors.
- White polypropylene base to prevent floor damage.



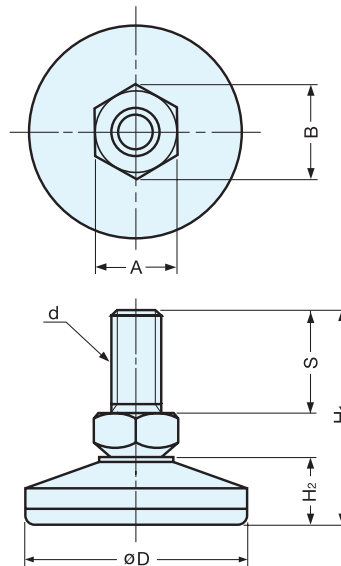
Part Name	Material	Finish
Cover	304 Stainless Steel	Satin
Bolt	Steel	Chrome
Base	Polypropylene	Natural

Item No.	D	H	h <sub>1</sub>	h <sub>2</sub>	t	d	Load Capacity (kg)	Weight (g)	Box (pcs)	Carton (pcs)
MN-25	25 ( 63/64" )	40 ( 1-37/64" )	27	13	9	W5/ 16-18	120 ( 264 lbs )	26	100	600
MN-32	32 ( 1-17/64" )	40 ( 1-37/64" )	27	13	9	W3/ 8-16	160 ( 352 lbs )	34	80	480
MN-36	36 ( 1-27/64" )	40 ( 1-37/64" )	27	13	9	W3/ 8-16	160 ( 352 lbs )	39	60	360
MN-40	40 ( 1-37/64" )	40 ( 1-37/64" )	27	13	9	W3/ 8-16	160 ( 352 lbs )	42	50	300
MN-50	50 ( 1-31/32" )	50 ( 1-31/32" )	34	16	11	W1/ 2-12	160 ( 352 lbs )	77	20	120

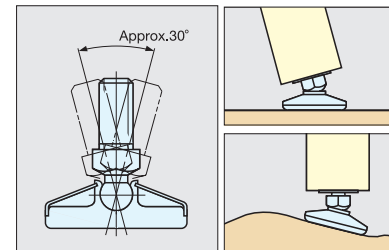
# LEVELING GLIDE



RP



- Compensates for uneven of floors.



Part Name	Material	Finish
Base Cover	304 Stainless Steel	Satin
Bolt	Steel	Clear Zinc Chromate
Base	Polyamide	Natural

Item No.	A	D	B	H <sub>1</sub>	S	H <sub>2</sub>	d	Load Capacity (kg)	Weight (g)	Box (pcs)	Carton (pcs)
RP-25M6	8 ( 5/16" )	25 ( 63/64" )	9.2	31 ( 1-7/32" )	14	9.7	M6x1	60 ( 132 lbs )	11	50	500
RP-30M8	10 ( 25/64" )	30 ( 1-3/16" )	11.5	37.5 ( 1-15/32" )	19	11.2	M8x1.25	110 ( 242 lbs )	21	35	350
RP-30N25							W5/16				
RP-40M10	13 ( 33/64" )	40 ( 1-37/64" )	15	42.5 ( 1-43/64" )	20	13.7	M10x1.5	160 ( 352 lbs )	38	25	250
RP-40N3							W3/8				
RP-50M12	17 ( 43/64" )	50 ( 1-31/32" )	19.6	51 ( 2" )	25	16	M12x1.75	320 ( 704 lbs )	70	15	
RP-70M14	19 ( 3/4" )	70 ( 2-3/4" )	22	66.5 ( 2-5/8" )	30	24.7	M14x2	622 ( 1368 lbs )	150	10	100

# LEVELING GLIDE



TG

CASTERS & LEVELING GLIDES

LEVELING GLIDES

- Low profile leveling glide.
- Knurled rim for easy adjustment.
- Easy installation with phillips screw driver.



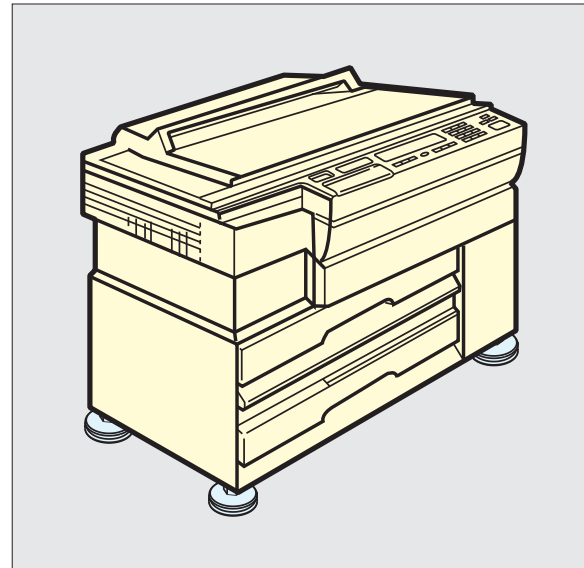
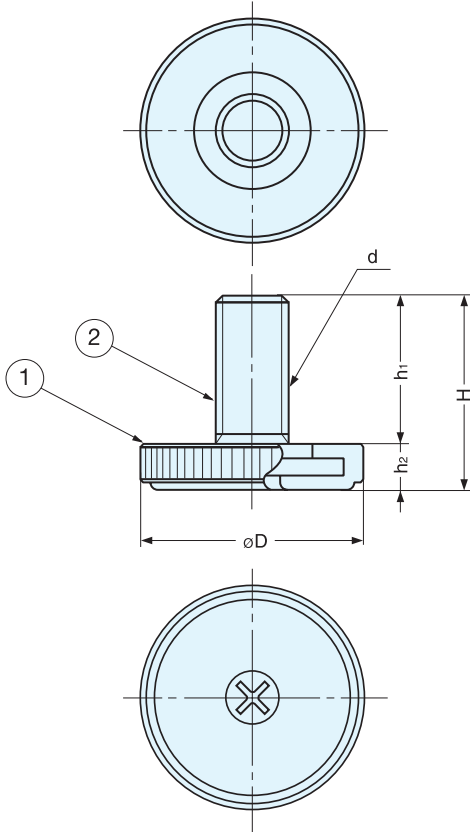
TG-40



TG-30WT



TG-20



Installation

No.	Part Name	Material	Finish
①	Base	Polyamide	Dark Grey/White
②	Bolt	Steel	Clear Zinc Chromate

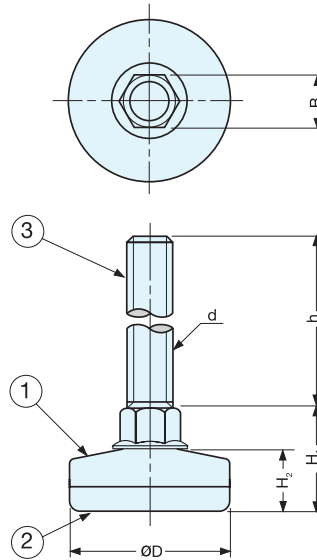
Item No.		D	H	h <sub>1</sub>	h <sub>2</sub>	d	Load Capacity (kg)	Weight (g)	Box (pcs)	Carton (pcs)
Dark Grey	White									
TG-20	TG-20WT	20 ( 25/32" )	21 ( 53/64" )	15	6	M 8 x 1.25	100 ( 220 lbs )	11	120	720
TG-30	TG-30WT	30 ( 1-3/16" )	26 ( 1-1/32" )	20	6	M 10 x 1.5	150 ( 330 lbs )	25	100	600
TG-40	TG-40WT	40 ( 1-37/64" )	26 ( 1-1/32" )	20	6	M 10 x 1.5	180 ( 396 lbs )	36	60	360

# LEVELING GLIDE



**LOAD CAPACITY**  
140 kg  
308 lbs

**TN**



No.	Part Name	Material	Finish
①	Body	Steel	Chrome
②	Base	Polypropylene	Natural
③	Bolt	Steel	Clear Zinc Chromate

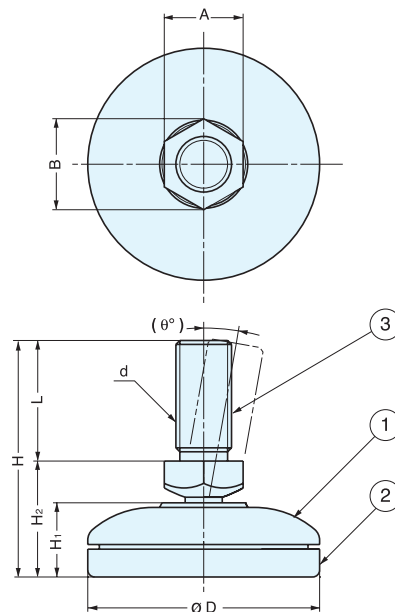
Item No.	D	H <sub>1</sub>	H <sub>2</sub>	h	d	B	Load Capacity (kg)	Weight (g)	Box (pcs)	Carton (pcs)
TN-25S	25	21	12	60	M10x1.5	13	140 (308 lbs)	50	50	500
TN-35S	35	22.5	13.5					60	30	300
TN-45S	43.5							70	20	260

# LEVELING GLIDE (PARTS SEPARABLE)

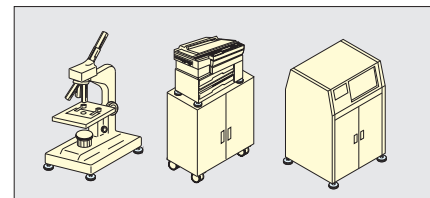
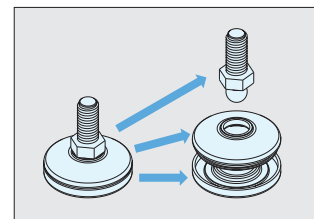


**LOAD CAPACITY**  
50-270 kg  
110-594 lbs

**EA**



- Bolt swivels to compensate for uneven floors.
- Parts can be easily separated for recycling purpose.



Installation

No.	Part Name	Material	Finish
①	Body	ABS	Dark Grey
②	Base		
③	Bolt	Steel	Chromate

Item No.	A	B	D	H	H <sub>1</sub>	H <sub>2</sub>	L	θ°	d	Load Capacity (kg)	Weight (g)	Box (pcs)	Carton (pcs)
EA-25M 6	8	9.2	25	31	8.5	14	17	10	M 6 x 1	50 ( 110 lbs)	10	120	1200
EA-30M 8	10	11.5	30	37.5	10.5	17	20.5	15	M 8 x 1.25	100 ( 220 lbs)	20	80	800
EA-40M 10	13	15	40	42.5	13	20.5	22	12.5	M10 x1.5	130 ( 286 lbs)	32	40	400
EA-50M 12	17	19.6	50	51	16	25	26	10	M12 x1.75	270 ( 594 lbs)	60	20	200

# AUTOMATIC HEIGHT ADJUSTING LEVELING GLIDE

**LOAD CAPACITY**  
50 kg  
110 lbs

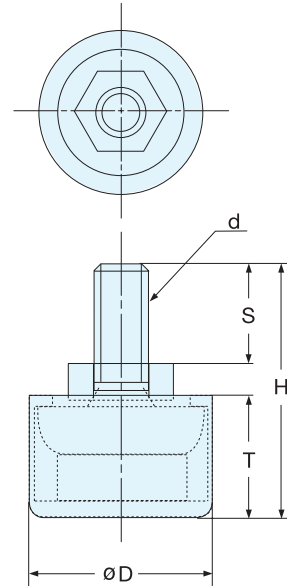
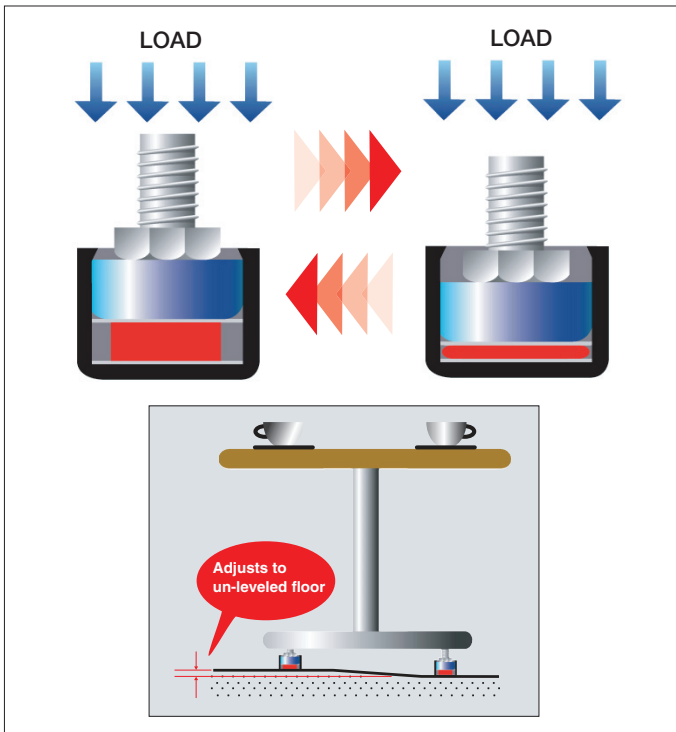
**SAJ30**

CASTERS & LEVELING GLIDES

LEVELING GLIDES



- Self height adjustment feature up to 3mm (1/8") & 6mm (15/64").
- Gel inside of the glide allows for gentle adjustment to uneven surfaces.
- Automatically adjusts each time the table is moved.
- Ideal for tables which are frequently moved. (e.g. Restaurants, Cafeteria, shop etc.)



SAJ-WRENCH

Part Name	Material	Finish	Box (pcs)	Carton (pcs)
SAJ-WRENCH10 (For M6)	Steel	Yellow Znic Chromate	1	40
SAJ-WRENCH13 (For M8)				
SAJ-WRENCH14 (For N2.5)				
SAJ-WRENCH17 (For N3,M10)				

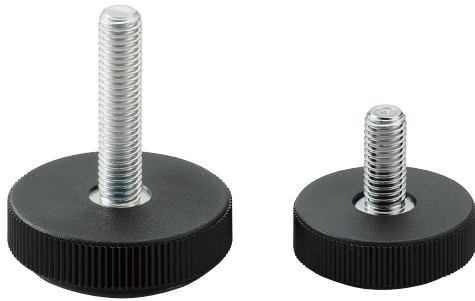
Part Name	Material	Finish / Color
Body	Polyethylene	Black
Nut (10)	Steel	Chromate
Nut (12)		
Screw		

Item No.	Height Adjustment (mm)	D	H	T	S	d	Applicable Table Weight			Load Capacity (kg)	Weight (g)	Box (pcs)	Carton (pcs)
							6 pcs use (kg)	5 pcs use (kg)	4 pcs use (kg)				
SAJ30-10N2.5	3 (1/8")	32	19	11	9	W5/16	10~18 (22~39 lbs)	8~15 (17~33 lbs)	7~12 (15~26 lbs)	50 (110 lbs)	40	400	26
SAJ30-10N3													36
SAJ30-10M6													21
SAJ30-10M8													25
SAJ30-10M10													38
SAJ30-12N2.5													26
SAJ30-12N3													36
SAJ30-12M6													21
SAJ30-12M8													25
SAJ30-12M10													38
SAJ30-12-6N2.5	6 (15/64")	42	24	12	11	W5/16	18~36 (39~79 lbs)	15~30 (33~66 lbs)	12~24 (26~53 lbs)	50 (110 lbs)	40	400	29
SAJ30-12-6N3													39
SAJ30-12-6M6													29
SAJ30-12-6M8													22
SAJ30-12-6M8													22
SAJ30-12-6M10													41

# LEVELING GLIDE

**LOAD CAPACITY**  
60-80 kg  
132-176 lbs

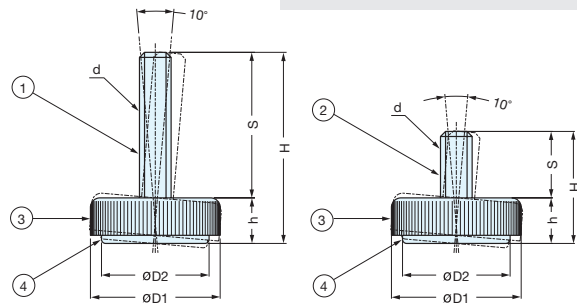
## MKR-N



- Base adjusts up to 10°, maintaining balance even on lightly sloping surfaces.
- Design allows for easy height adjustment.
- Durable unit distributes load evenly.
- Base coated with non-slip synthetic rubber that reduces floor damage.

No.	Part Name	Material	Finish
①	Bolt	Steel	Yellow Zinc Chromate
②	Bolt	Steel	Chrome
③	Cover	Polyamide	Black
④	Base	Elastomer	Black

\*For MKR-N50M10H60, Bolt is available only with a Yellow Zinc Chromate finish.



MKR-N50M10H60

Other Glides

Item No.	d	D <sub>1</sub>	D <sub>2</sub>	H	h	S	Load Capacity (kg)	Weight (g)	Box (pcs)	Carton (pcs)	
MKR-N32M10	M10	33 (1-5/16")	27	36 ( 1-13/32" )	14	22	60 (132 lbs)	35	80	480	
MKR-N32N3	W3/8										
MKR-N40M10	M10	41 (1-5/8" )	34	37 ( 1-29/64" )	15		70 (154 lbs)	45	50	300	
MKR-N40N3	W3/8							40			
MKR-N50M10	M10	51 ( 2" )	44	37.5 ( 1-31/64" )	15.5	44.5	80 (176 lbs)	60	20	120	
MKR-N50M10H60	M10										60 ( 2-3/8" )
MKR-N50N3	W3/8										37.5 ( 1-31/64" )

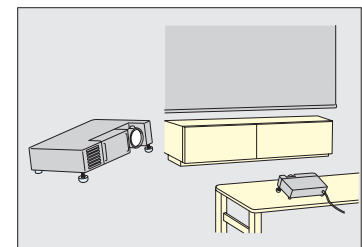
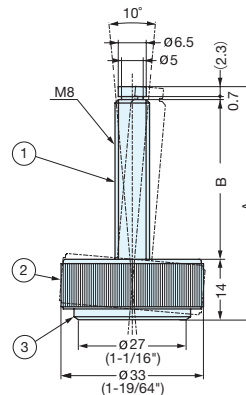
# LEVELING GLIDE

**LOAD CAPACITY**  
46 kg  
100 lbs

## MKR-N32



- Base adjusts up to 10°, maintaining balance even on lightly sloping surfaces.
- Design allows for easy height adjustment.
- Durable unit distributes load evenly.
- Base coated with non-slip synthetic rubber that reduces floor damage.



Application

No.	Part Name	Material	Finish
①	Bolt	Steel	Chromate
②	Cover	Polyamide	Dark Grey
③	Base	Elastomer	Black

Item No.	Color	A	B	Load Capacity (kg)	Weight (g)	Box (pcs)	Carton (pcs)
MKR-N32DG32	Dark Gray	47 ( 1-7/8" )	30 (1-3/16")	46 (100 lbs)	31	50	300
MKR-N32GR40	Gray	55 (2-3/16")	38 ( 1-1/2" )		34		

# LEVELING GLIDES

# MDSF

CASTERS & LEVELING GLIDES

LEVELING GLIDES

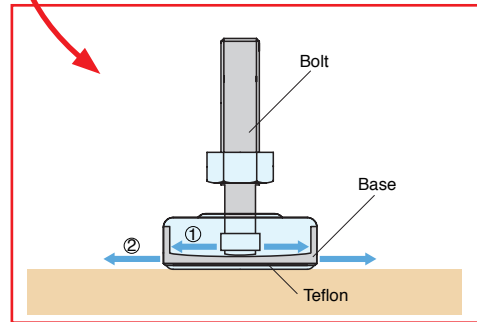
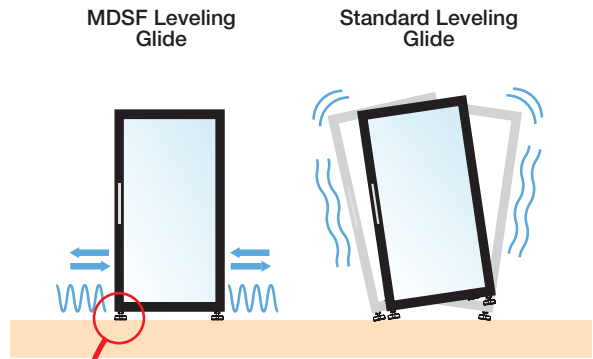
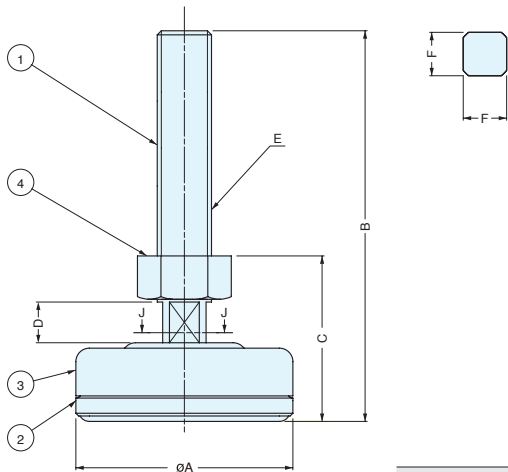
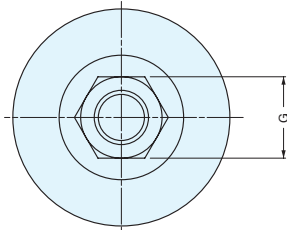


MDSF80-20-100

MDSF58-16-80

MDSF58-10-40

- Glide absorbs shock to reduce movement transmitted to cabinets and equipment, reducing damage to objects within the cabinet as well as those in the surrounding area.
- Keeps aisles and emergency exits clear by reducing the risk of falling furniture or equipment.
- Can be used in raised/access flooring where floor anchors cannot be used.
- Similar installation and appearance to traditional glides, but with value-added function and higher cost performance.
- 2-step shock absorption: internally between bolt and glide base, and externally between glide base and flooring.
- Use with computer server racks, precision equipment, medical equipment, etc.
- Sold in sets of 4 pieces.



No.	Part Name	Material	Finish
①	Bolt	Steel	Nickel
②	Base	Steel, Teflon	-
③	Cover	NBR	-
④	Nut	Steel	Chromate

Item No.	Max. Recommended Dimensions (WxDxH)	Maximum Weight (kg)/4pcs
MDSF58-10- 40	16-1/8"x24-13/16"x15-3/8" (410x630x390mm)	204 ( 450 lbs)
MDSF58-16- 80	28-3/4"x28-3/4"x57-1/2" (730x730x1460mm)	510 (1122 lbs)
MDSF80-20-100	39-3/8"x39-3/8"x78-3/4" (1000x1000x2000mm)	765 (1687 lbs)

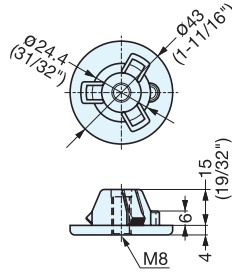
Item No.	A	B	C	D	E	F	G	Weight (g)	Box (pcs)	Carton (pcs)
MDSF58-10- 40	58 (2-5/16")	66 (2-5/8" )	35	8	M10	8	17	180	4 (1 set)	40 (10 sets)
MDSF58-16- 80	58 (2-5/16")	114 ( 4-1/2" )	48	11	M16	13	24	300		
MDSF80-20-100	80 ( 3-1/8" )	114 (5-11/16")	61	15	M20	16	30	580		



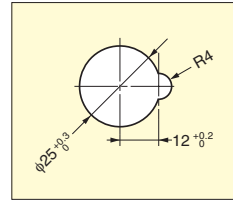
# GLIDE BASE



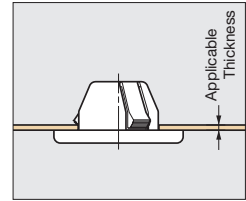
## AD-438



- Snap-in glide base for sheet metal 1/32" to 1/16" (0.8-1.6mm) thick.



Bore Dimension



Installation

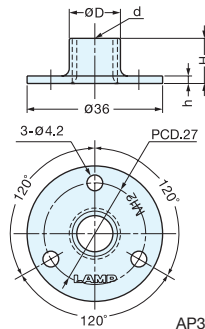
Material	Finish
Polyacetal	Grey

Item No.	Applicable Sheet Metal Thickness (mm)	Load Capacity (kg)	Weight (g)	Box (pcs)	Carton (pcs)
AD-438	0.8~1.6 (1/32"-1/16")	50 (110lbs)	10	100	1000

# STAINLESS STEEL GLIDE BASE



## AP-36



- 304 stainless steel for rust and corrosion resistance.

Material	Finish
304 Stainless Steel	Plain

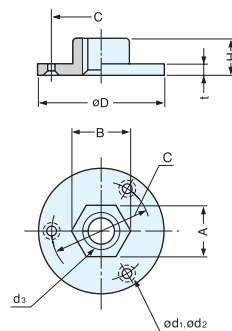
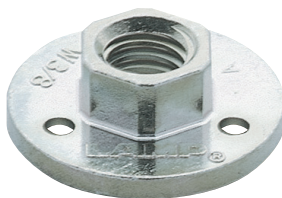
Item No.	d	D	h	H	Weight (g)	Box (pcs)	Carton (pcs)
AP-36-M8	M8X1.25	( 9.6 )	1.5	12	16	100	1000
AP-36-M10	M10X1.5	( 11.5 )	1.5	12	16	100	1000
AP-36-N3	W3/8-16	( 10.9 )	1.5	12	16	100	1000
AP-36-M12	M12X1.75	( 13.9 )	2	11.5	20	80	800

AP36-M12 is shown.

# GLIDE BASE



## KD-555



Material	Finish
Zinc Alloy	Clear Zinc Chromate

Item No.	D	C	H	t	d <sub>1</sub>	d <sub>2</sub>	d <sub>3</sub>	A	B	Weight (g)	Box (pcs)	Carton (pcs)
KD-555-28-M10	28 ( 1-3/32" )	20	9	2.7	3.2	6.4	M10x1.5	13	14	15	240	1440
KD-555-25	25 ( 1" )	19	8	2.7	3.2	5.3	W5/16-18	11.2	12.5	10	320	1920
KD-555-28	28 ( 1-3/32" )	20	9	2.7	3.2	6.4	W3/8-16	13	14	15	240	1440
KD-555-39	39 ( 1-17/32" )	30	11	3	3.2	6.4	W1/2-12	15.8	16.8	30	100	600