

The image features a light beige background with a central white rounded rectangle containing text. Surrounding the rectangle are various closet hardware components: a silver rod with a hanger at the top left, a silver rod with a bracket at the top right, a silver rod with a hanger at the bottom left, and a silver rod with a vertical support and a circular base at the bottom right.

CLOSET HARDWARE

CLOSET ROD LIFT MECHANISM
HANGERS
TIE RACKS

CLOSET ROD LIFT MECHANISM

Picture	Item No.	Load Capacity (lbs)	Page
	TAS-800	17.6	478
	TAW-1200	33	478
	TAT-800	17.6	478
	TAB (BRACKET FOR TALLMAN HANG)	-	479
	TAC (COVER FOR TALLMAN BRACKET)	-	479
	TAE (TAW EXTENSION ROD)	-	479

HANGERS

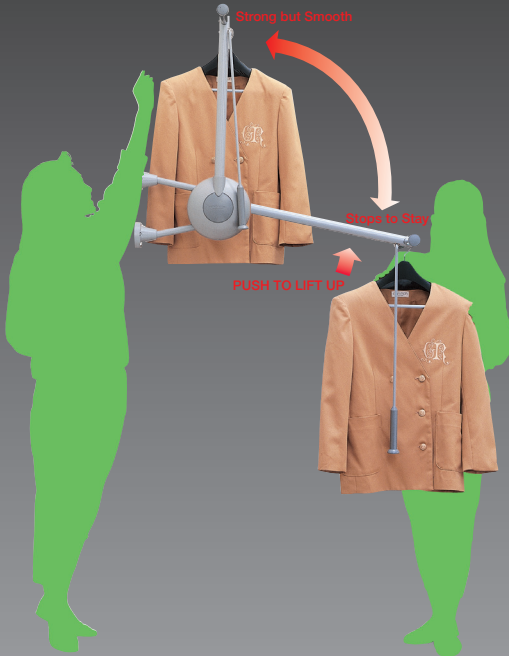
Picture	Item No.	Load Capacity (lbs)	Page
	UH (EXTENSION HANGER)	6.6	480
	W SERIES (EXTENSION HANGER)	8.8-13.2	480
	TE700, TE800 (EXTENSION HANGER)	44	481
	SH740 (EXTENSION HANGER)	90	481
	A SERIES (EXTENSION HANGER)	11	482
	CK	3.3	482
	HM-250/Y	6.6	483
	HM-250/V	6.6	483
	HM-330	6.6	483

TIE RACKS

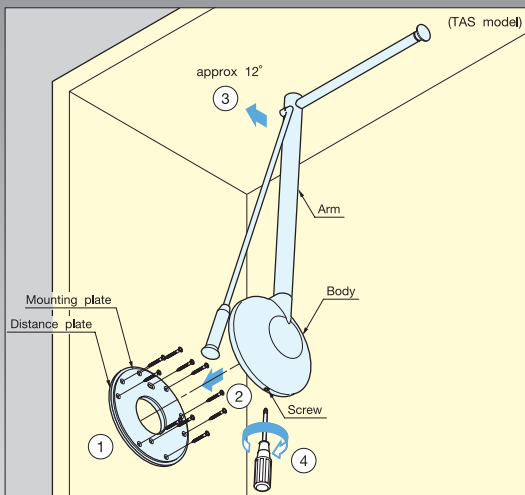
Picture	Item No.	Load Capacity (lbs)	Page
	MST-20	0.7	484
	TIEM	0.7	484
	TIE-33	0.7	484
	S-350	-	485
	STR	-	485
	DTR	-	485

TALLMAN CLOSET ROD LIFT MECHANISM

Innovative closet storing mechanism to hang clothes in high places, allowing for your closet space to be utilized more efficiently.

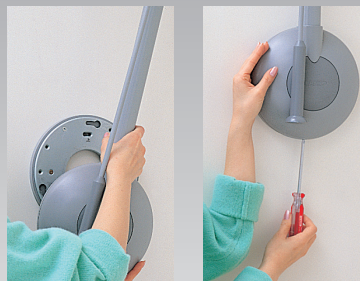


- New Shock Absorbing Mechanism:**
 Designed to soften sudden “pop-ups” even when rod is released halfway.
 Allows the closet rod to stay at position when the rod is pulled all the way down.
- Easy to use:**
 Easy to return the rod to its normal position.
- Simple to install:**
 Install mounting plate on the wall, fasten rod unit to the mounting plate with one hidden screw.
- Choose your size:**
 We offer single, double or a T-type to accommodate your space requirements.



Easy Installation:

- Secure the mounting plate in the selected area with screws.
- Insert the body into the fastening holes located on the mounting plate.
- Rotate the body until the arm is locked (approximately 12°).
- Simply secure the body to the mounting plate with one screw.

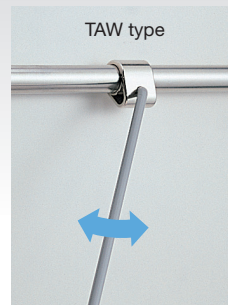


Improved Pipe Fixture for TAS



Insert the pipe end into arm hole and tighten the pipe fixture by turning clockwise as shown.

Flexible Pull Down Rod



Flexible pull down rod allows smooth operation.

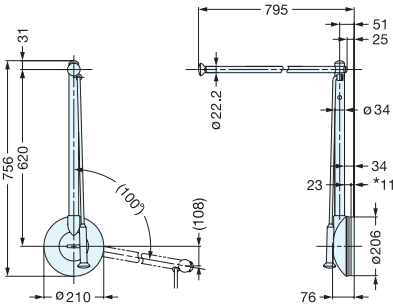
Lapcon **TAS (SINGLE TYPE)**



TAS-800R/U (Right) Umber

- This single-type model is designed for installation on a side wall of a cabinet or closet.
- Both right-hand and left-hand models are available.

Load capacity: Up to 8 kg (17.6 lbs) (evenly distributed).
 Packaging: 1 set/box (about 5 kg or 11 lbs).



*Thickness of Distance Plate

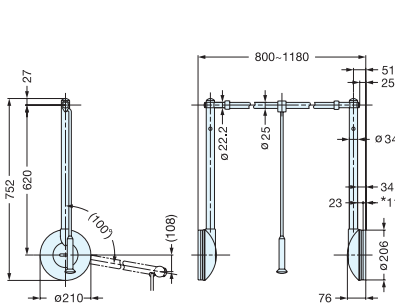
Lapcon **TAW (DOUBLE TYPE)**



TAW-1200/U Umber

- The double-type model is designed for installation on side walls of a cabinet or closet, using it in full width.
- Adjusting the length of the rod is easily done in just one step.

Load capacity: Up to 15 kg (33 lbs) (evenly distributed).
 Packaging: 1 set/box (about 9 kg or 19.8 lbs).



*Thickness of Distance Plate

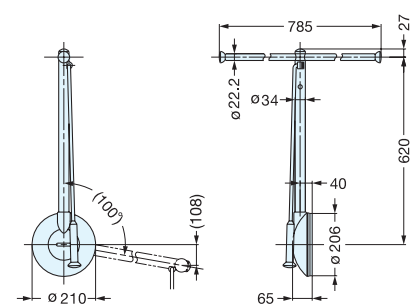
Lapcon **TAT (T-TYPE)**



TAT-800R/G (Right) Grey

- The T-type model is designed for front facing installation with the use of a bracket which is sold separately (TAB).
- Create space more efficiently by separating short and long clothes.

Load capacity: Up to 8 kg (17.6 lbs) (evenly distributed).
 Packaging: 1 set/box (about 5 kg or 11 lbs).

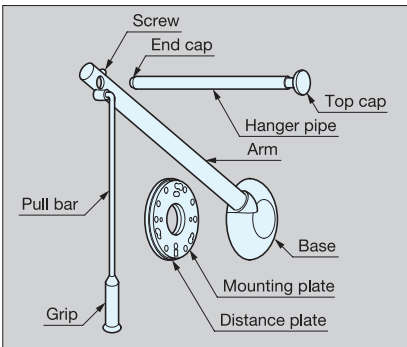


Product Specification	Grey (G)	Umber (U)
Right-Hand	TAS-800R/G	TAS-800R/U
Left-Hand	TAS-800L/G	TAS-800L/U

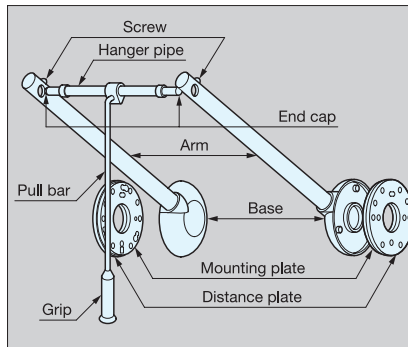
Grey (G)	Umber (U)
TAW-1200/G	TAW-1200/U

Product Specification	Grey (G)
Right-Hand	TAT-800R/G
Left-Hand	TAT-800L/G

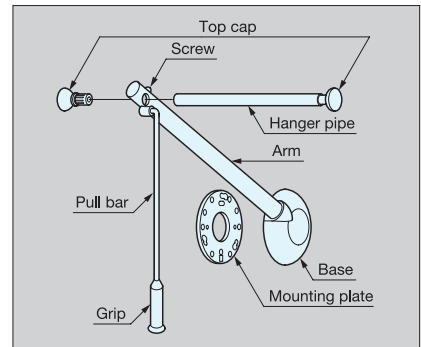
TAS-800L



TAW-1200



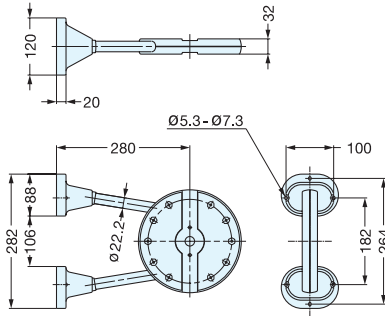
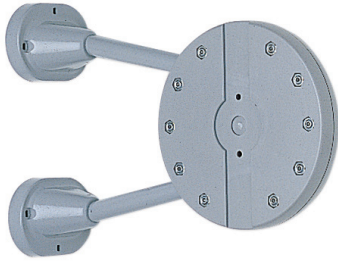
TAT-800L



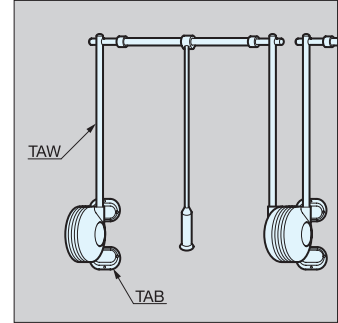
BRACKET



TAB



• Back wall mount bracket for TAS, TAW and TAT.

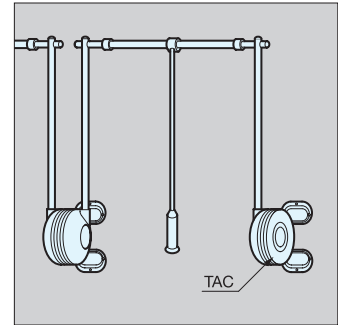
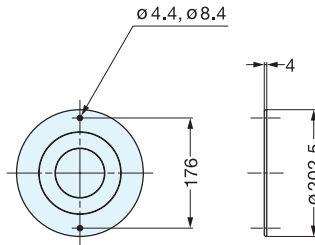
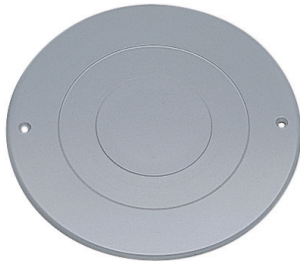


Item No.	Weight (kg)	Box (pcs)	Carton (pcs)	Material	Color
TAB/G	1.5 (3.3 lbs)	1	4	Steel/Plastic	Grey
TAB/U					Umber

COVER FOR TAB BRACKET



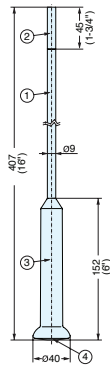
TAC



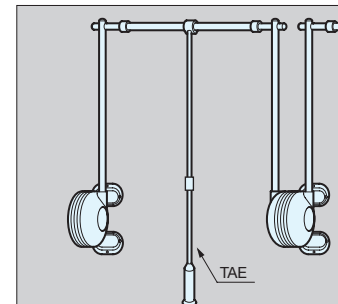
Item No.	Weight (kg)	Box (pcs)	Carton (pcs)	Material	Color
TAC/G	0.21 (0.46 lbs)	1	4	Steel	Grey
TAC/U					Umber

EXTENSION ROD

TAE



• 12" extension for pull down rod for TAW, TAS, and TAT.



Item No.	Weight (g)	Box (pcs)	Carton (pcs)	No.	Part Name	Material	Finish
TAE/G	300	10	50	①	Rod	Steel	Grey/Umber
TAE/U				②	Nut		Nickel
				③	Grip	ABS	Grey/Umber
				④	End Cap		

EXTENSION HANGER

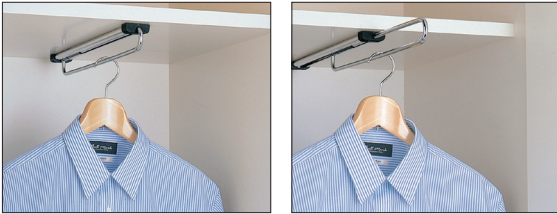
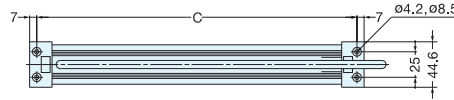
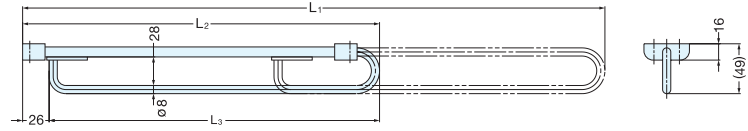
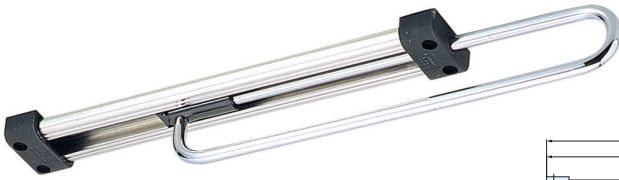
TEST 5
P.654

LOAD CAPACITY
3kg
6.6lbs

4x25
STAINLESS

UH SERIES

- Space-saving, undermount design for narrow spaces.
- Includes 1" (M4 x 25) long screws.



Part Name	Material	Finish/Color
Hanger Rod	304 Stainless Steel	Chrome/Black
Rod Retainer	Steel	
End Cap	Plastic	

Item No.	L ₁	L ₂	L ₃	C	Load Capacity (kg)	Weight (g)	Box (pcs)	Carton (pcs)
UH-300	491 (19-21/64")	300	274	264 (10-25/64")	3 (6.6 lbs)	365	5	30
UH-350	571 (22-31/64")	350	324	314 (12-23/64")		440		
UH-400	636 (25-1/32")	400	374	364 (14-21/64")		505		
UH-450	721 (28-25/64")	450	424	414 (16-19/64")		570		

EXTENSION HANGER

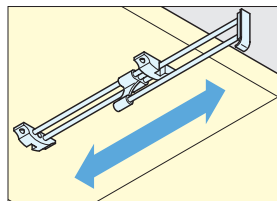
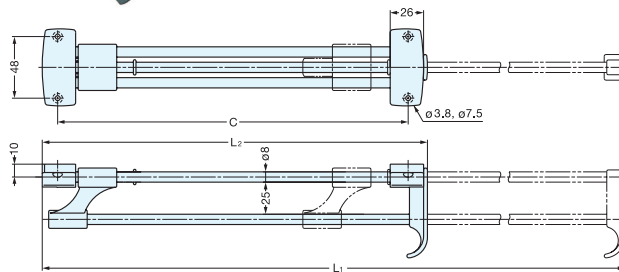
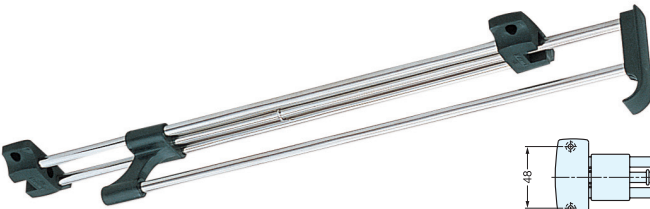
TEST 5
P.654

LOAD CAPACITY
4-6kg
8.8-13.2lbs

3.5x20
STEEL

W SERIES

- Space-saving, undermount design for narrow spaces.
- Molded nylon finger grip for easy accessibility.
- Includes 3/4" (M3.5 x 20) long screws.



Part Name	Material	Finish/Color
Hanger Rod	Steel	Nickel/Black
Retainer Guide	Nylon	

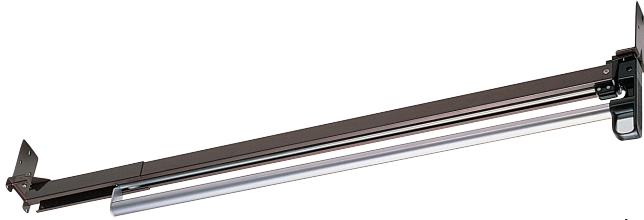
Item No.	L ₁	L ₂	H	C	Load Capacity (kg)	Weight (g)	Box (pcs)	Carton (pcs)
W-300	498 (19-39/64")	300 (11-13/16")	73	273	6 (13.2 lbs)	485	5	30
W-350	556 (21-57/64")	350 (13-25/32")		323	5 (11 lbs)	560		
W-400	628 (24-23/32")	400 (15-3/4")		373	5 (11 lbs)	630		
W-450	698 (27-31/64")	450 (17-23/32")		423	4 (8.8 lbs)	715		

EXTENSION HANGER

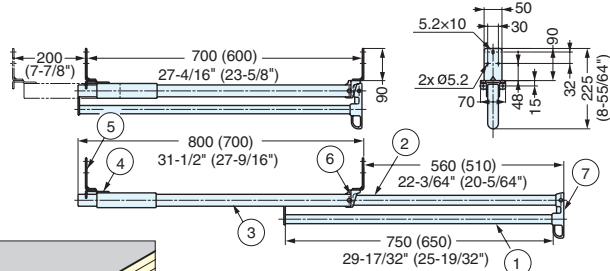
LOAD CAPACITY
20kg
44lbs

4.5x20
STEEL

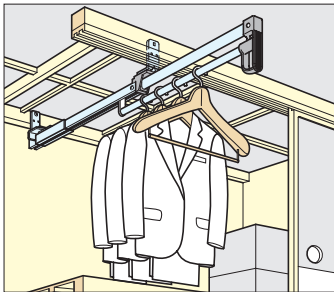
TE-700, TE-800



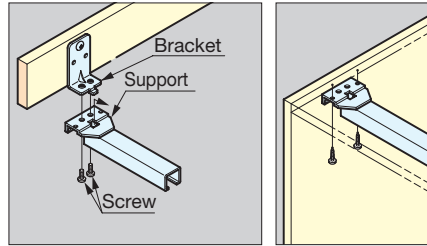
- Space-saving, undermount design for deep, narrow spaces.
- Use L-brackets (included) for side-mount.
- 7-7/8" rear support can be adjusted for shorter/longer spaces.
- Includes 3/4" (M4.5 x 20) long screws.



() : TE700



Installation



No.	Part Name	Material	Finish
①	Hanger Rod	Steel	Chrome
②	Rod Retainer		Brown
③	Retainer		
④	Support		
⑤	Bracket	Plastic	Black
⑥	Cap		
⑦	Pull		

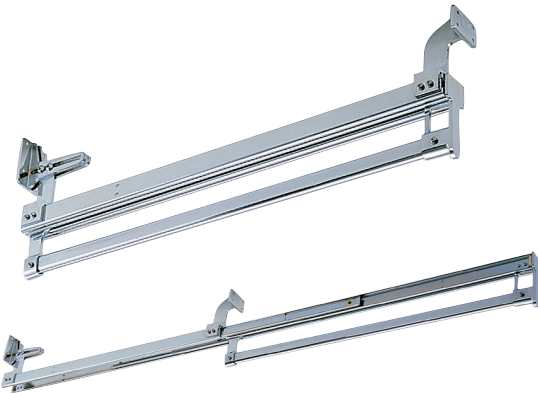
Item No.	Load Capacity (kg)	Weight (g)	Box (pcs)	Carton (pcs)
TE-700	20 (44 lbs)	2400	1	6
TE-800		2700		

HEAVY DUTY EXTENSION HANGER

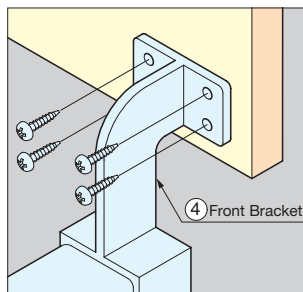
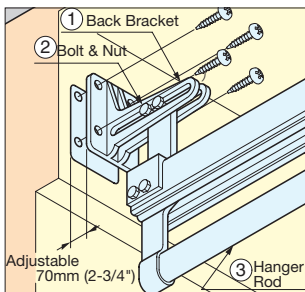
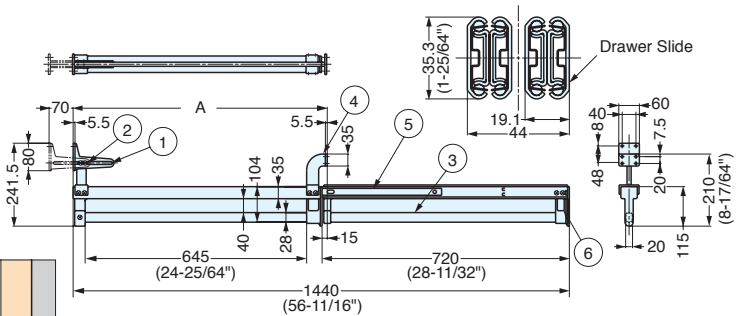
LOAD CAPACITY
41kg
90lbs

4.5x20
STEEL

SH740



- Space-saving, undermount design for narrow spaces.
- Bracket that incorporates drawer slide allows smooth movement.
- Back mounting bracket can be adjusted for shorter/longer spaces. (2-3/4")
- Includes 3/4" (M4.5 x 20) long screws.



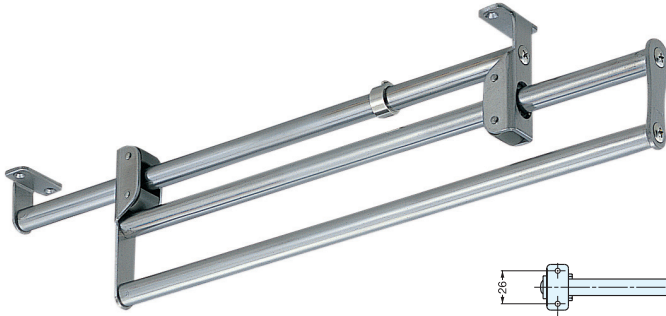
No.	Material	Finish
①	Brass	Chrome
②	Steel	
③	Steel	
④	Brass	
⑤	Steel	
⑥	Brass	

Item No.	Load Capacity (kg)	Weight (g)	Box (pcs)	Carton (pcs)
SH740	41 (90 lbs)	5400	1	2

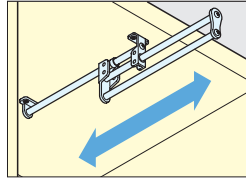
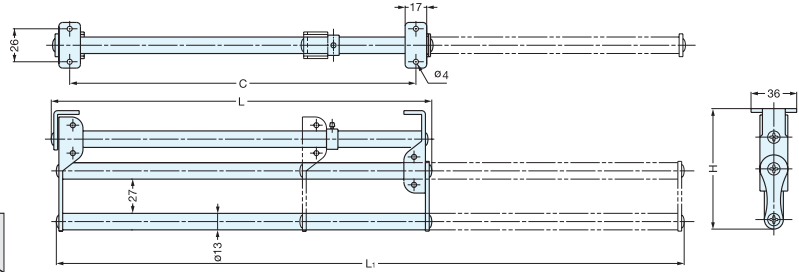
EXTENSION HANGER



A SERIES



- Space-saving, undermount design for narrow spaces.
- Includes 1" (3.5 x 25) long screws.



Material	Finish
430 Stainless Steel	Satin

Item No.	L ₁	L	H	C	Load Capacity (kg)	Weight (g)	Box (pcs)	Carton (pcs)
A-300	495 (19-31/64")	300 (11-13/16")	95	273	5 (11 lbs)	382	5	50
A-330	545 (21-29/64")	330 (13")		303		400		
A-360	598 (23-35/64")	360 (14-11/64")		333		440		
A-400	665 (26-3/16")	400 (15-3/4")		373		460		

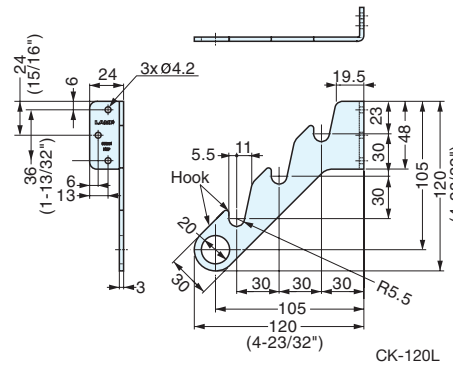
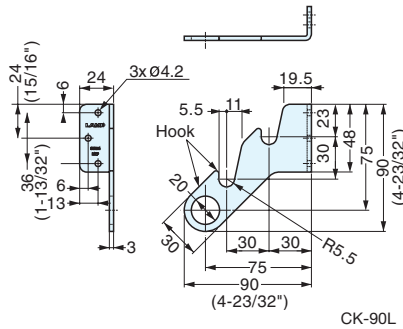
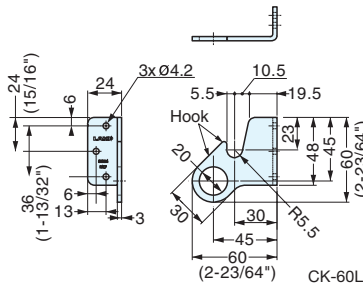
HANGER BRACKET



CK



- Light duty hanger brackets for hanging garments, umbrellas, etc.
- Available with multiple notches and 3/4" hole.
- Surface mount onto wood panel/stud.
- Not recommended for drywall installation, or for use with laundry rods.
- Includes 3/4" (M4 x 20) long screws.



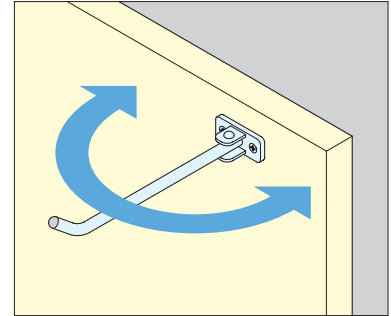
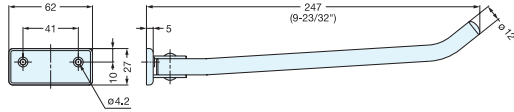
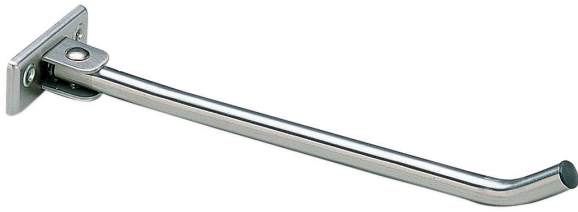
Item No.	Load Capacity (kg)	Weight (g)	Box (pcs)	Carton (pcs)
CK- 60L	1.5 kg (3.3 lbs)	66	15	150
CK- 90L		90	15	150
CK-120L		113	10	100

Material	Finish
304 Stainless Steel	Satin

SWINGING HANGER



HM-250Y

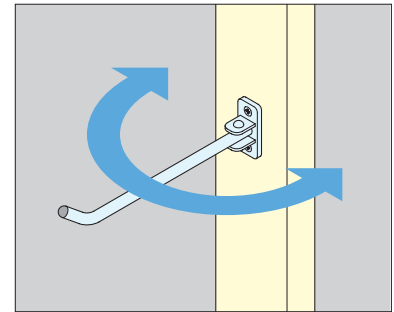
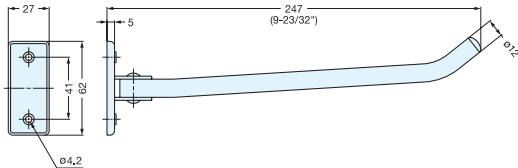


Item No.	Load Capacity (kg)	Weight (g)	Box (pcs)	Carton (pcs)	Material	Finish
HM-250Y	3 (6.6 lbs)	125	10	100	304 Stainless Steel	Satin

SWINGING HANGER



HM-250V

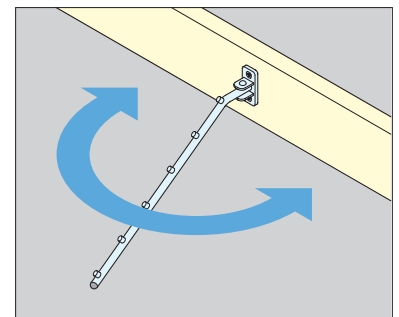
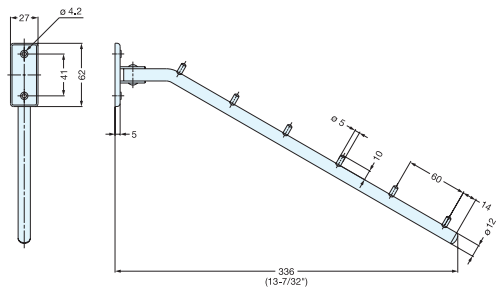


Item No.	Load Capacity (kg)	Weight (g)	Box (pcs)	Carton (pcs)	Material	Finish
HM-250V	3 (6.6 lbs)	120	10	100	304 Stainless Steel	Satin

SWINGING HANGER



HM-330



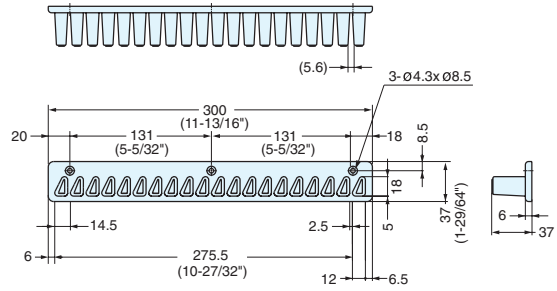
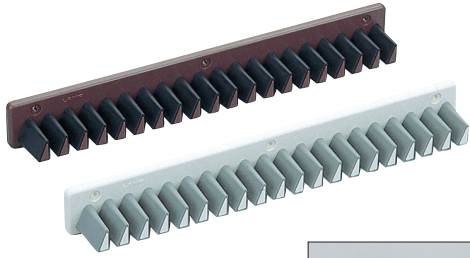
Item No.	Load Capacity (kg)	Weight (g)	Box (pcs)	Carton (pcs)	Material	Finish
HM-330	3 (6.6 lbs)	170	10	100	304 Stainless Steel	Satin

TIE RACK

LOAD CAPACITY
0.3kg
0.7lbs

4x14
STAINLESS

MST-20



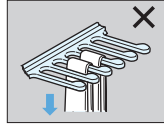
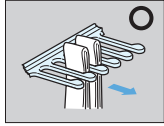
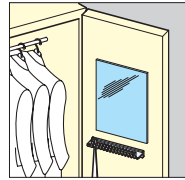
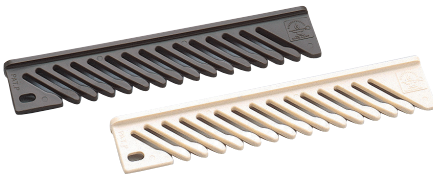
Item No.	Color	Load Capacity (kg)	Weight (g)	Box (pcs)	Carton (pcs)	Part Name	Material
MST-20BL	Brown	0.3 (0.7 lbs)	10.5	10	120	Body	ABS
MST-20GR	Ivory					Rubber	Elastomer

TIE RACK

LOAD CAPACITY
0.3kg
0.7lbs

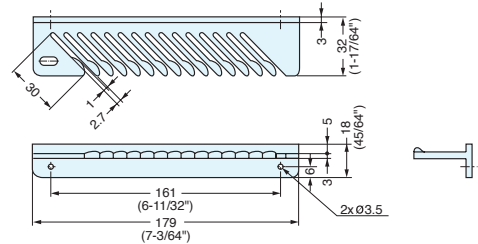
NO SCREW

TIEM



How to use
Folded necktie should be inserted in between TIEMATE arms. This will hold the tie without stretching it. Hanging ties on the arms is not recommended.

- Uniquely designed tie rack neatly organizes and holds ties without stretching them.
- Screws not included.



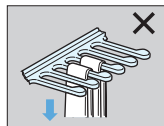
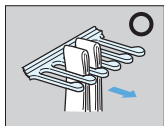
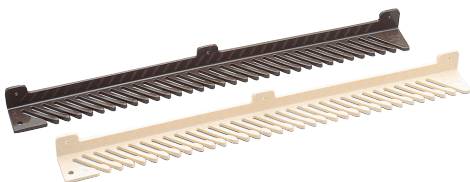
Item No.	Color	Load Capacity (kg)	Weight (g)	Box (pcs)	Carton (pcs)	Part Name	Material
TIEM-BR	Brown	0.3 (0.7 lbs)	22	20	400	Body	Polycarbonate
TIEM-I	Ivory						

TIE RACK

LOAD CAPACITY
0.3kg
0.7lbs

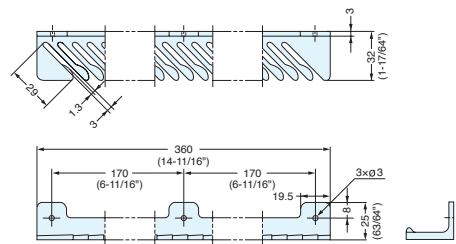
STEEL

TIE-33



How to use
Folded necktie should be inserted in between TIEMATE arms. This will hold the tie without stretching it. Hanging ties on the arms is not recommended.

- Uniquely designed tie rack neatly organizes and holds ties without stretching them.

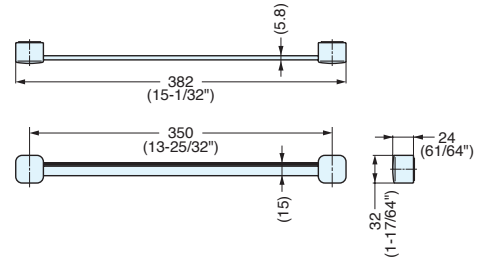


Item No.	Color	Load Capacity (kg)	Weight (g)	Box (pcs)	Carton (pcs)	Part Name	Material
TIE-33BR	Brown	0.3 (0.7 lbs)	50	20	300	Body	Polycarbonate
TIE-33I	Ivory						

TIE RACK



S-350

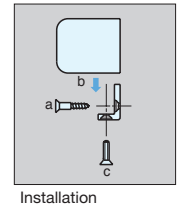
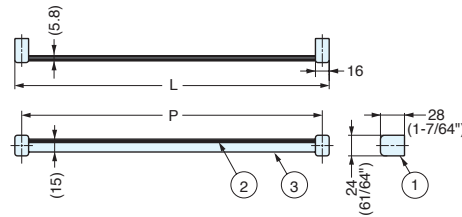


Item No.	Color	Weight (g)	Box (pcs)	Carton (pcs)	Part Name	Material
S-350W	White	80	10	100	Bracket	ABS
S-350B	Black				Rod	304 Stainless Steel

TIE RACK



STR



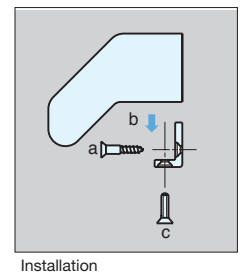
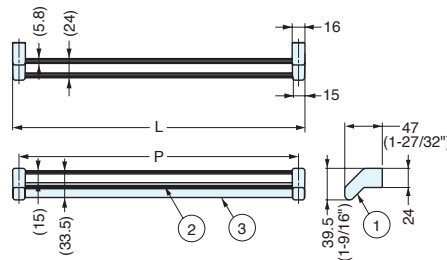
	Part Name	Material	Color
①	Bracket	Zinc Alloy	Chrome
②	Anti-slip Strip	PVC	Black
③	Rod	304 Stainless Steel	Mirror

Item No.	L	P	Weight (g)	Box (pcs)	Carton (pcs)
STR-300	316 (12-7/16")	300 (11-13/16")	160	10	60
STR-350	366 (14-13/32")	350 (13-25/32")	170		
STR-400	416 (16-3/8")	400 (15-3/4")	180		
STR-450	466 (18-11/32")	450 (17-23/32")	190		

TIE RACK



DTR



	Part Name	Material	Color
①	Bracket	Zinc Alloy	Chrome
②	Anti-slip Strip	PVC	Black
③	Rod	304 Stainless Steel	Mirror

Item No.	L	P	Weight (g)	Box (pcs)	Carton (pcs)
DTR-350	366 (14-13/32")	350 (13-25/32")	250	5	30
DTR-400	416 (16-3/8")	400 (15-3/4")	270		
DTR-450	466 (18-11/32")	450 (17-23/32")	285		

