



# DOOR HANDLES, KNOBS

DOOR HANDLES  
LEVER HANDLES  
SLIDING DOOR HANDLES  
GLASS DOOR KNOBS  
LARGE HANDLES








## DOOR HANDLES (Back to Back)

Picture	Item No.		Center to Center	Page
	ZL-1501		12-19/32" ~ 75-19/32"	4~5
	ZL-1502		7-9/16" ~ 37-51/64"	6~7
	ZL-1506		7-9/16" ~ 37-13/16"	8~9
	DSI-2000-20		7-7/8" ~ 19-11/16"	11
	DSI-2000-30		9-7/8" ~ 23-5/8"	11
	DSI-3310-15		5-29/32" ~ 11-13/16"	12
	DSI-3310-20		7-7/8" ~ 11-13/16"	12
	DSI-3310-30		9-27/32" ~ 23-5/8"	12
	DSI-3330		11-13/16" ~ 19-11/16"	12
	DSI-4400-15		5-29/32" ~ 11-13/16"	13
	DSI-4400-20		7-7/8" ~ 11-13/16"	13
	DSI-4400-30		9-27/32" ~ 23-5/8"	13
	DSI-1630		9-7/8" ~ 23-5/8"	13
	DTM-B		7-7/8" ~ 14-15/16"	14
	MDH		7-9/16" ~ 47-1/4"	15


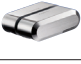

## DOOR HANDLES (Back Screw Mount / Front Screw Mount)

Picture	Item No.		Center to Center	Page
	MP (Front Screw Mount)		18-17/64" ~ 37-61/64"	16
	RH-760 (Back Screw Mount)		29-59/64"	16
	SSH (Back Screw Mount)		12-7/16" ~ 28-3/16"	17
	SOR (Back Screw Mount)		13-3/16" ~ 27-61/64"	17











SLIDING DOOR HANDLES

Picture	Item No.		Page
	DSI-4251	STAINLESS 304 STEEL	18
	DSI-4253	STAINLESS 304 STEEL	19
	DSI-3250	STAINLESS 304 STEEL	19
	DSI-3010	STAINLESS 304 STEEL	20
	DSI-3020	STAINLESS 304 STEEL	21
	DSI-4020	STAINLESS 304 STEEL	21
	DSI-4040	STAINLESS 304 STEEL	21

GLASS DOOR KNOBS AND PULLS (Back to Back)

Picture	Item No.		Page
	ZL-1503	RoHS compliant STAINLESS 316 STEEL	22
	ZL-1504	RoHS compliant STAINLESS 316 STEEL	23
	ZL-1505	RoHS compliant STAINLESS 316 STEEL	23

LEVER HANDLES AND ACCESSORIES

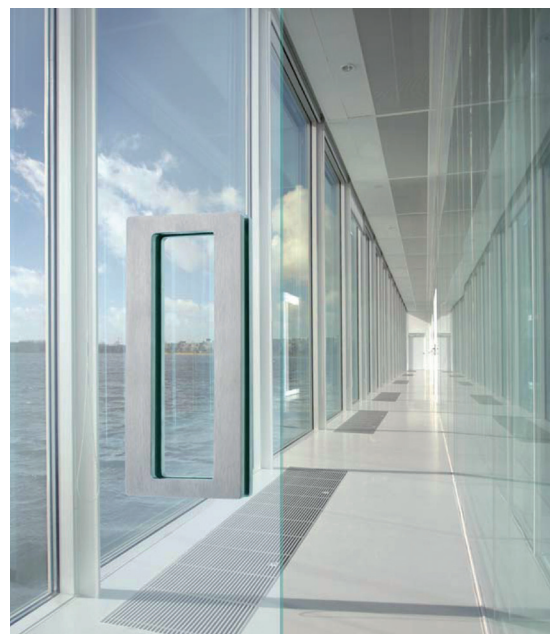
Picture	Item No.		Page
	ZL-1101	STAINLESS 316 STEEL	24
	ZL-1102	STAINLESS 316 STEEL	24
	ZL-1103	STAINLESS 316 STEEL	25
	ZL-1601 (GLASS DOOR LATCH)	STAINLESS 316 STEEL	25
	ZL-1202 (Escutcheon)	STAINLESS 316 STEEL	26
	ZL-1301-INR (Indicator)	STAINLESS 316 STEEL	26
	ZL-1302 (Indicator)	STAINLESS 316 STEEL	26
	ZL-1401-SMR (Thumbturn)	STAINLESS 316 STEEL	27
	ZL-1402 (Thumbturn)	STAINLESS 316 STEEL	27
	ZL-1403 (Thumbturn Knob)	STAINLESS 316 STEEL	27



ZL-1506



DSI-4251

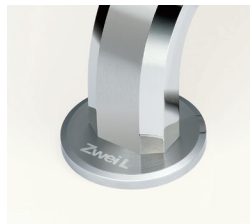
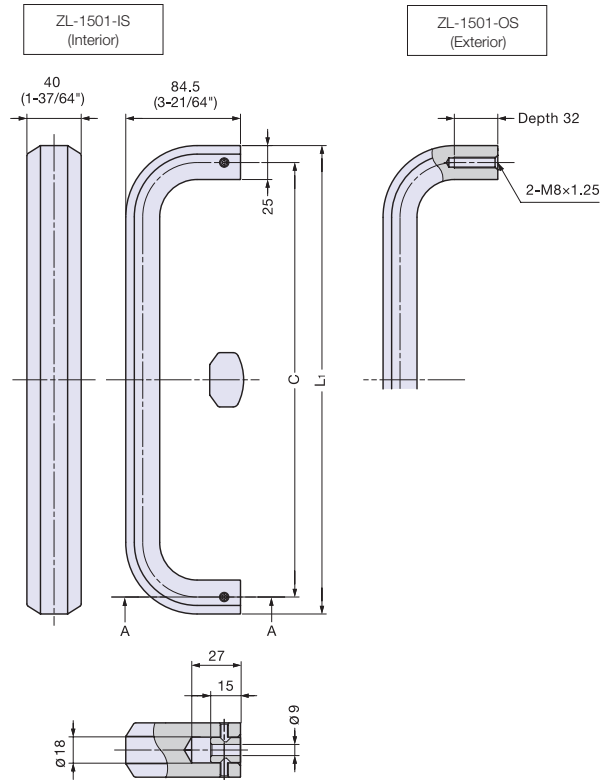


DSI-4020

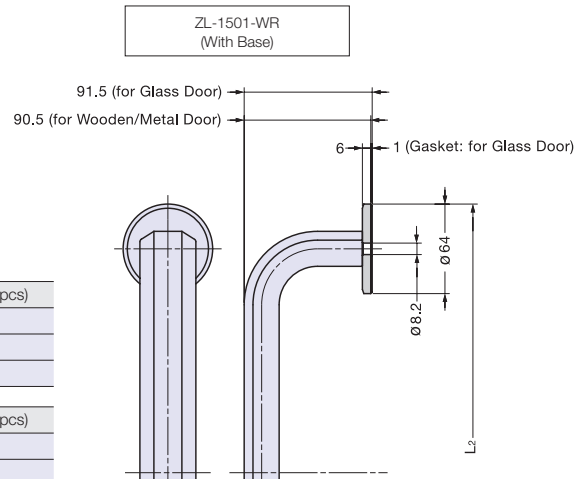




- Can be installed on Glass Door, Wooden or Metal Frame Door.
- Tolerance of screw pitch is ± 1 mm.
- Only ZL-1501-WR comes with base (ZL1501-R).
- Order base ZL1501-R separately if baseplate needed for Exterior or Interior type.



ZL-1501-WR



Item No.	Weight (g)	Box (pcs)	Item No.	Weight (g)	Box (pcs)
ZL-1501-IS-320	3103	1	ZL-1501-OS-320	3103	1
ZL-1501-IS-640	5500	1	ZL-1501-OS-640	5500	1
ZL-1501-IS-960	8000	1	ZL-1501-OS-960	8000	1

Item No.	Weight (g)	Box (pcs)	Item No.	Weight (g)	Box (pcs)
ZL-1501-WN-320	6471	1	ZL-1501-WR-320	6783	1
ZL-1501-WN-640	11265	1	ZL-1501-WR-640	11577	1
ZL-1501-WN-960	16265	1	ZL-1501-WR-960	16577	1

Item No.				Material	Finish/Color	Dimensions		
Exterior	Interior	Back-to-Back	Back-to-Back with Base			C	L <sub>1</sub>	L <sub>2</sub>
ZL-1501-OS- 320	ZL-1501-IS- 320	ZL-1501-WN- 320	ZL-1501-WR- 320	316 Stainless Steel	Zwei L	320 (12-19/32")	345 (13-37/64")	384
ZL-1501-OS- 640	ZL-1501-IS- 640	ZL-1501-WN- 640	ZL-1501-WR- 640			640 (25-13/64")	665 (26-3/16")	704
ZL-1501-OS- 960	ZL-1501-IS- 960	ZL-1501-WN- 960	ZL-1501-WR- 960			960 (37-51/64")	985 (38-25/32")	1024
*ZL-1501-OS-1280	*ZL-1501-IS-1280	*ZL-1501-WN-1280	*ZL-1501-WR-1280			1280 (50-25/64")	1305 ( 51-3/8" )	1344
*ZL-1501-OS-1600	*ZL-1501-IS-1600	*ZL-1501-WN-1600	*ZL-1501-WR-1600			1600 (62-63/64")	1625 (63-31/32")	1664
*ZL-1501-OS-1920	*ZL-1501-IS-1920	*ZL-1501-WN-1920	*ZL-1501-WR-1920			1920 (75-19/32")	1945 (76-37/64")	1984

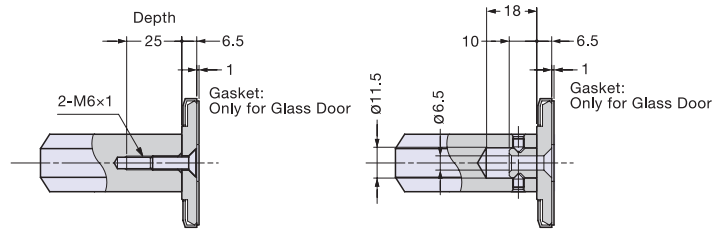
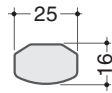
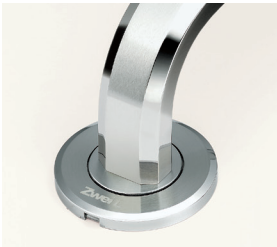
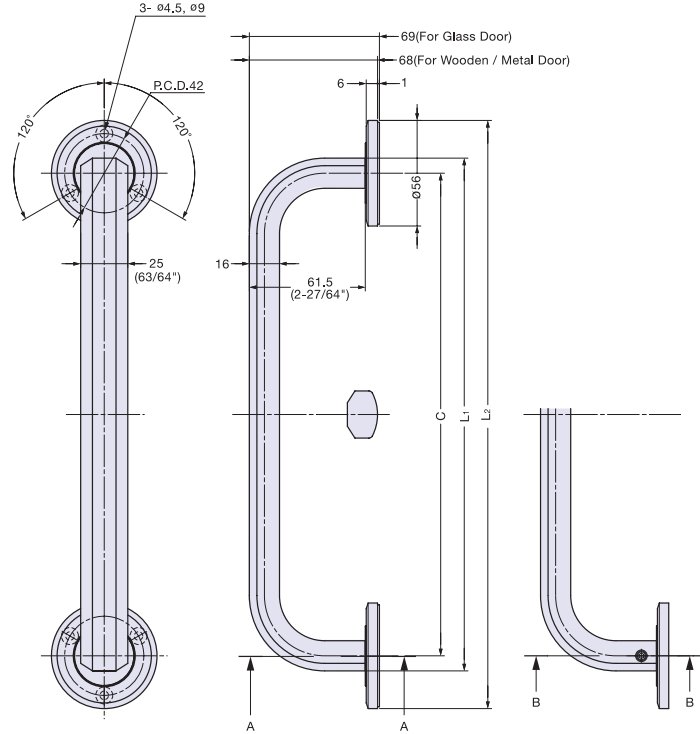
\*Length over 960 are special order item.



Working Diagram		Door Thickness (mm)	Door Hole (mm)	Item No.	
Back-to-Back on Glass Door	With Base Plate		6~16 (15/64"~5/8")	ø 16 (5/8")	ZL-1501-WR
Back-to-Back on Wooden/Metal Frame Door	With Base Plate		25~45 (63/64"~1-49/64")	ø 9 (23/64")	ZL-1501-WR
	Without Base Plate		37~57 (1-29/64"~2-1/4")	ø 9 (23/64")	ZL-1501-WN
Single use on Wooden/Metal Frame Door	With Base Plate		Screws not included  Base Plate (ZL-1501-R) sold separately	ø 9 (23/64")	ZL-1501-OS ZL-1501-R
				-	ZL-1501-IS ZL-1501-R
	Without Base Plate			ø 9 (23/64")	ZL-1501-OS
				-	ZL-1501-IS

\*If door thickness exceeds recommended thickness, a longer bolt (not supplied) should be used.

- Can be installed on Glass Door, Wooden or Metal Frame Door.
- Tolerance of screw pitch is ± 1 mm.
- Base Plate included.



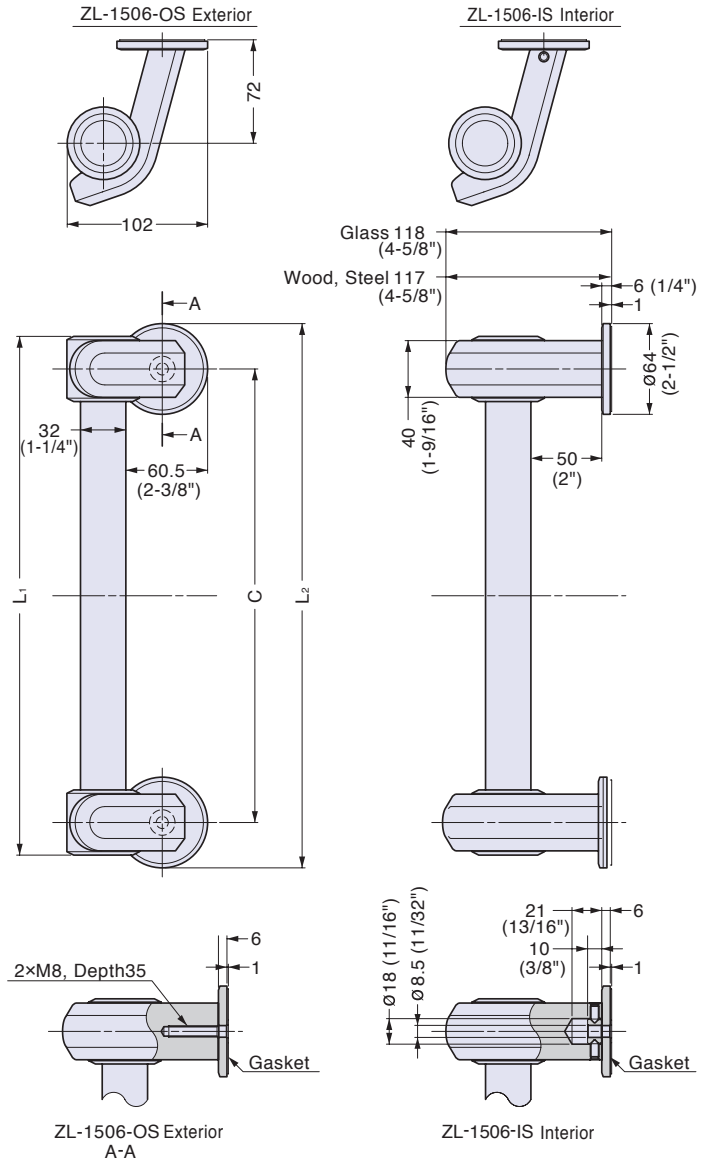
Item No.	Weight (g)	Box (pcs)	Item No.	Weight (g)	Box (pcs)	Item No.	Weight (g)	Box (pcs)
ZL-1502-IS-192	1081	1	ZL-1502-OS-192	1081	1	ZL-1502-WR-192	2297	1
ZL-1502-IS-320	1499	1	ZL-1502-OS-320	1499	1	ZL-1502-WR-320	3133	1
ZL-1502-IS-640	2530	1	ZL-1502-OS-640	2530	1	ZL-1502-WR-640	5195	1
ZL-1502-IS-960	3600	1	ZL-1502-OS-960	3600	1	ZL-1502-WR-960	7335	1

Item No.			Material	Finish/Color	Dimensions		
Exterior	Interior	Back-to-Back			C	L <sub>1</sub>	L <sub>2</sub>
ZL-1502-OS-192	ZL-1502-IS-192	ZL-1502-WR-192	316 Stainless Steel	Zwei L	192 ( 7-9/16" )	208 ( 8-3/16" )	248
ZL-1502-OS-320	ZL-1502-IS-320	ZL-1502-WR-320			320 (12-19/32")	336 (13-15/64")	376
ZL-1502-OS-640	ZL-1502-IS-640	ZL-1502-WR-640			640 (25-13/64")	656 (25-53/64")	696
ZL-1502-OS-960	ZL-1502-IS-960	ZL-1502-WR-960			960 (37-51/64")	976 (38-27/64")	1016

Working Diagram		Door Thickness (mm)	Door Hole (mm)	Item No.		
Back-to-Back on Glass Door	With Base Plate		6~12 (15/64"~15/32")	∅ 12 (15/32")	ZL-1502-WR	
	Without Base Plate		40~52 (1-37/64"~2-15/32")	∅ 7 (9/32")	ZL-1502-WR	
Back-to-Back on Wooden/Metal Frame Door	With Base Plate		38~50 (1-1/2"~1-31/32")	∅ 7 (9/32")	ZL-1502-WR	
	Without Base Plate					
Single use on Wooden/Metal Frame Door	With Base Plate			-	ZL-1502-OS	
			∅ 7 (9/32")	ZL-1502-OS		
	Without Base Plate		∅ 7 (9/32")	ZL-1502-OS		
			-	ZL-1502-IS		
				Screws not included	-	ZL-1502-IS

\*If door thickness exceeds recommended thickness, a longer bolt (not supplied) should be used.





Item No.			Material	Finish/Color	L <sub>1</sub>	L <sub>2</sub>	C
Exterior	Interior	Back-to-Back					
ZL-1506-OS-192	ZL-1506-IS-192	ZL-1506-WR-192	316 Stainless Steel	Zwei L	237 ( 9-5/16" )	256 (10-1/16")	192 ( 7-9/16" )
ZL-1506-OS-320	ZL-1506-IS-320	ZL-1506-WR-320			365 ( 14-3/8" )	384 ( 15-1/8" )	320 ( 12-5/8" )
ZL-1506-OS-640	ZL-1506-IS-640	ZL-1506-WR-640			685 ( 27" )	704 ( 27-3/4" )	640 ( 25-3/8" )
ZL-1506-OS-960	ZL-1506-IS-960	ZL-1506-WR-960			1005 (39-9/16")	1024 (40-5/16")	960 ( 37-13/16" )

Working Diagram			Door Thickness (mm)	Door Hole (mm)	Item No.
Back-to-Back on Glass Door	With Base Plate		6~15 (15/64"~5/8")	ø 16 (5/8")	ZL-1506-WR
Back-to-Back on Wooden/Metal Frame Door	With Base Plate		25~45 (63/64"~1-49/64")	ø 9 (23/64")	ZL-1506-WR
	Without Base Plate		37~57 (1-29/64"~2-1/4")	ø 9 (23/64")	ZL-1506-WR
Single use on Wooden/Metal Frame Door	With Base Plate		Screws not included	ø 9 (23/64")	ZL-1506-OS
				-	ZL-1506-IS
	Without Base Plate			ø 9 (23/64")	ZL-1506-OS
				-	ZL-1506-IS

\*If door thickness exceeds recommended thickness, a longer bolt (not supplied) should be used.

# DOOR HANDLES

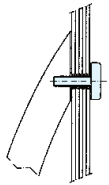
HANDLES

DOOR HANDLES



## Mounting Kit for DSI Series Door Handles

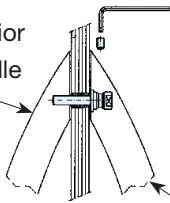
Exterior Handle



Wood/Metal/Glass door installation  
 Max. Door Thickness:  
 DSI-1630-30: 100 mm (4")      DSI-3310-30: 60 mm (2-3/8")  
 DSI-2000-20: 80 mm (3-3/16")      DSI-3330-30: 100 mm (4")  
 DSI-2000-30: 80 mm (3-3/16")      DSI-4400-15: 60 mm (2-3/8")  
 DSI-3310-15: 60 mm (2-3/8")      DSI-4400-20: 60 mm (2-3/8")  
 DSI-3310-20: 60 mm (2-3/8")      DSI-4400-30: 60 mm (2-3/8")

Item No.	For use with
DKIT-2/15-1	DSI-3310-15
DKIT-2/15-2	DSI-4400-15
DKIT-2/20-1	DSI-2000-20/DSI-3310-20
DKIT-2/20-2	DSI-4400-20
DKIT-2/30-1	DSI-1630-30/DSI-2000-30/DSI-3310-30/DSI-3330-30
DKIT-2/30-2	DSI-4400-30

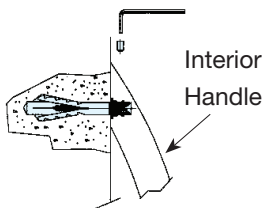
Exterior Handle



Back to back Max. Door Thickness:  
 DSI-1630-30: 90 mm (3-1/2")      DSI-3310-30: 100 mm (4")  
 DSI-2000-20: 100 mm (4")      DSI-3330-30: 100 mm (4")  
 DSI-2000-30: 45 mm (1-3/4")      DSI-4400-15: 100 mm (4")  
 DSI-3310-15: 100 mm (4")      DSI-4400-20: 100 mm (4")  
 DSI-3310-20: 100 mm (4")      DSI-4400-30: 100 mm (4")

Item No.	For use with
DKIT-4/15-1	DSI-3310-15
DKIT-4/15-2	DSI-4400-15
DKIT-4/20-1	DSI-2000-20/DSI-3310-20
DKIT-4/20-2	DSI-4400-20
DKIT-4/30-1	DSI-1630-30/DSI-2000-30/DSI-3310-30/DSI-3330-30
DKIT-4/30-2	DSI-4400-30

Interior Handle



Concrete wall-mount installation

Item No.	For use with
DKIT-5/15	DSI-3310-15/DSI-4400-15
DKIT-5/20	DSI-2000-20/DSI-3310-20/DSI-4400-20
DKIT-5/30	DSI-1630-30/DSI-2000-30/DSI-3310-30/DSI-3330-30/DSI-4400-30



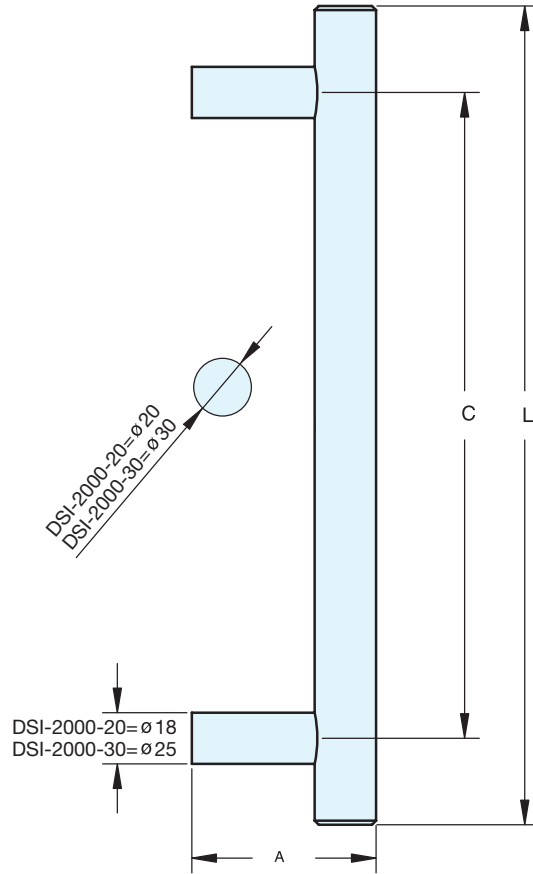
DOOR HANDLE

STAINLESS  
304  
STEEL

DSI-2000



- For use with DSI mounting kits (sold separately, See P.10).
- Please specify Interior/Exterior type when ordering:
  - Posts for Exterior handles are threaded to accept screws.
  - Posts for Interior handles have set screws for DSI mounting kits.
- Similar style to 26 and 28 series cabinet handles. (P.37)



Material	Finish
304 Stainless Steel	Satin

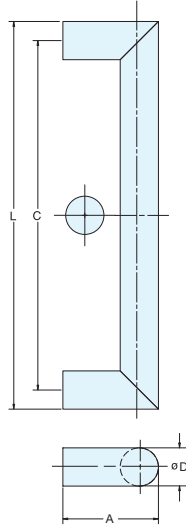
Item No.		L	C	A	Weight (kg)		Box (pcs)	Carton (pcs)
Interior	Exterior				Interior	Exterior		
DSI-2000-20-20I	DSI-2000-20-20E	300 (11-13/16")	200 ( 7-7/8" )	65 (2-9/16")	-	-	1	10
DSI-2000-20-25I	DSI-2000-20-25E	400 ( 15-3/4" )	250 ( 9-7/8" )		-	-		
DSI-2000-20-30I	DSI-2000-20-30E	450 ( 17-3/4" )	300 (11-13/16")		-	-		
DSI-2000-20-50I	DSI-2000-20-50E	700 (27-9/16")	500 (19-11/16")		-	-		

Item No.		L	C	A	Weight (kg)		Box (pcs)	Carton (pcs)
Interior	Exterior				Interior	Exterior		
DSI-2000-30-25I	DSI-2000-30-25E	550 (21-5/8")	250 ( 9-7/8" )	90 (3-9/16")	1.34	1.11	1	10
DSI-2000-30-35I	DSI-2000-30-35E	650 (25-9/16")	350 (13-3/4")		1.22	1.20		
DSI-2000-30-45I	DSI-2000-30-45E	750 (29-1/2")	450 (17-3/4")		1.34	1.29		
DSI-2000-30-60I	DSI-2000-30-60E	900 (35-7/16")	600 (23-5/8")		1.50	1.50		

# DOOR HANDLE

STAINLESS  
304  
STEEL

## DSI-3310



- For use with DSI mounting kits (sold separately, See P.10).
- Please specify Interior/Exterior type when ordering:
  - Posts for Exterior handles are threaded to accept screws.
  - Posts for Interior handles have set screws for DSI mounting kits.
- Similar style to DIH series cabinet handles. (P.36)

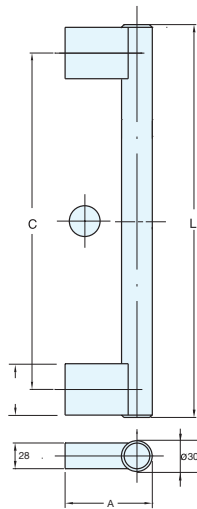
Material	Finish
304 Stainless Steel	Satin

Item No.		D	L	C	A	Weight (kg)		Box (pcs)	Carton (pcs)
Interior	Exterior					Interior	Exterior		
DSI-3310-15-15I	DSI-3310-15-15E	15	165 ( 6-1/2" )	150 ( 5-29/32" )	55 ( 2-3/16" )	-	-	1	10
DSI-3310-15-20I	DSI-3310-15-20E		215 ( 8-1/2" )	200 ( 7-7/8" )		-	-		
DSI-3310-15-30I	DSI-3310-15-30E		315 ( 12-3/8" )	300 ( 11-13/16" )		-	-		
DSI-3310-20-20I	DSI-3310-20-20E	20	220 ( 8-11/16" )	200 ( 7-7/8" )	65 ( 2-9/16" )	-	-		
DSI-3310-20-25I	DSI-3310-20-25E		270 ( 10-5/8" )	250 ( 9-27/32" )		-	-		
DSI-3310-20-30I	DSI-3310-20-30E		320 ( 12-5/8" )	300 ( 11-13/16" )		-	-		
DSI-3310-30-25I	DSI-3310-30-25E	30	280 ( 11" )	250 ( 9-27/32" )	90 ( 3-9/16" )	-	-		
DSI-3310-30-30I	DSI-3310-30-30E		330 ( 12" )	300 ( 11-13/16" )		-	-		
DSI-3310-30-35I	DSI-3310-30-35E		380 ( 14-15/16" )	350 ( 13-25/32" )		-	-		
DSI-3310-30-60I	DSI-3310-30-60E		630 ( 24-13/16" )	600 ( 23-5/8" )		-	-		

# DOOR HANDLE

STAINLESS  
304  
STEEL

## DSI-3330



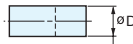
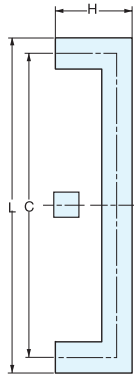
- For use with DSI mounting kits (sold separately, See P.10).
- Please specify Interior/Exterior type when ordering:
  - Posts for Exterior handles are threaded to accept screws.
  - Posts for Interior handles have set screws for DSI mounting kits.
- Similar style to 16 and 27 series cabinet handles. (P.36)

Material	Finish
304 Stainless Steel	Satin

Item No.		L	C	A	Weight (kg)		Box (pcs)	Carton (pcs)
Interior	Exterior				Interior	Exterior		
DSI-3330-30-30I	DSI-3330-30-30E	320	300 ( 11-13/16" )	90 ( 3-9/16" )	-	-	1	10
DSI-3330-30-50I	DSI-3330-30-50E	520	500 ( 19-11/16" )		-	-		

# DOOR HANDLE

## DSI-4400



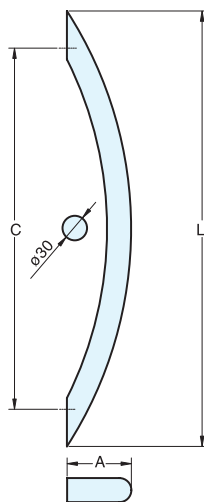
- For use with DSI mounting kits (sold separately, See P.10).
- Please specify Interior/Exterior type when ordering:
  - Posts for Exterior handles are threaded to accept screws.
  - Posts for Interior handles have set screws for DSI mounting kits.
- Similar style to KPH series cabinet handles. (P.45)

Material	Finish
304 Stainless Steel	Satin

Item No.		D	L	C	H	Weight (kg)		Box (pcs)	Carton (pcs)
Interior	Exterior					Interior	Exterior		
DSI-4400-15-15I	DSI-4400-15-15E	15	165 ( 6-1/2" )	150 (5-29/32" )	55 (2-3/16")	-	-	1	10
DSI-4400-15-20I	DSI-4400-15-20E		215 ( 8-1/2" )	200 ( 7-7/8" )		-	-		
DSI-4400-15-30I	DSI-4400-15-30E		315 ( 12-3/8" )	300 (11-13/16")		-	-		
DSI-4400-20-20I	DSI-4400-20-20E	20	220 (8-11/16")	200 ( 7-7/8" )	65 (2-9/16")	-	-		
DSI-4400-20-25I	DSI-4400-20-25E		270 ( 10-5/8" )	250 (9-27/32")		-	-		
DSI-4400-20-30I	DSI-4400-20-30E		320 ( 12-5/8" )	300 (11-13/16")		-	-		
DSI-4400-30-25I	DSI-4400-30-25E	30	280 ( 11" )	250 (9-27/32")	90 (3-9/16")	-	-		
DSI-4400-30-30I	DSI-4400-30-30E		330 ( 12" )	300 (11-13/16")		-	-		
DSI-4400-30-35I	DSI-4400-30-35E		380 (14-15/16")	350 (13-25/32")		-	-		
DSI-4400-30-60I	DSI-4400-30-60E		630 (24-13/16")	600 ( 23-5/8" )		-	-		

# DOOR HANDLE

## DSI-1630



- For use with DSI mounting kits (sold separately, See P.10).
- Please specify Interior/Exterior type when ordering:
  - Posts for Exterior handles are threaded to accept screws.
  - Posts for Interior handles have set screws for DSI mounting kits.
- Similar style to 30 series cabinet handles. (P.38)



Material	Finish
304 Stainless Steel	Satin

Item No.		L	C	A	Weight (kg)	Box (pcs)	Carton (pcs)
Interior	Exterior						
DSI-1630-30-25I	DSI-1630-30-25E	314 ( 12-3/8" )	250 ( 9-7/8" )	66 ( 2-19/32" )	0.8 (1.8 lbs)	1	10
DSI-1630-30-35I	DSI-1630-30-35E	430 (16-15/16")	350 ( 13-3/4" )	74 ( 2-29/32" )	1.2 (2.7 lbs)		
DSI-1630-30-45I	DSI-1630-30-45E	542 ( 21-5/16" )	450 ( 17-3/4" )	80 ( 3-5/32" )	1.5 (3.3 lbs)		
DSI-1630-30-60I	DSI-1630-30-60E	721 ( 28-3/8" )	600 ( 23-5/8" )	79 ( 3-7/64" )	1.8 (4.0 lbs)		



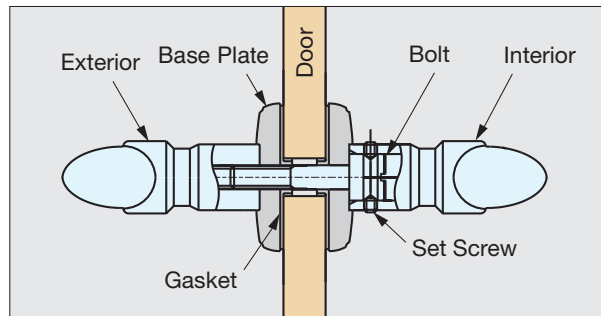
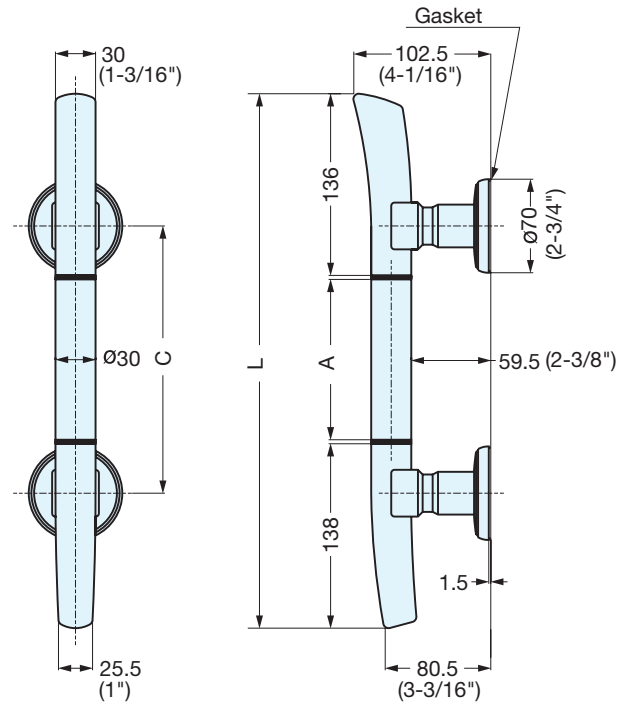
# DOOR HANDLE

# DTM-B

HANDLES

DOOR HANDLES

- Japanese-style handle made of brass with 24 gold plating.
- Sold as a set: Includes front handle, back handle and installation hardware.
- Similar style to TMH cabinet handles (See P.56)

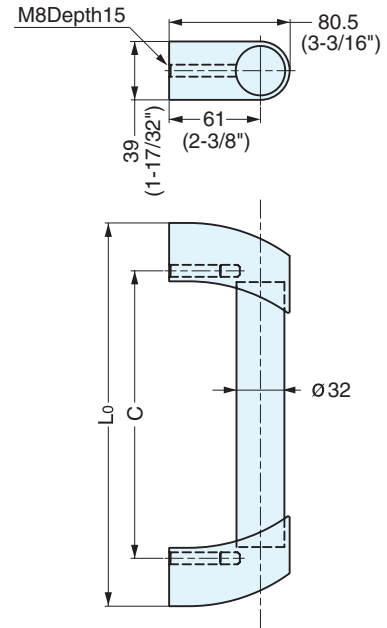
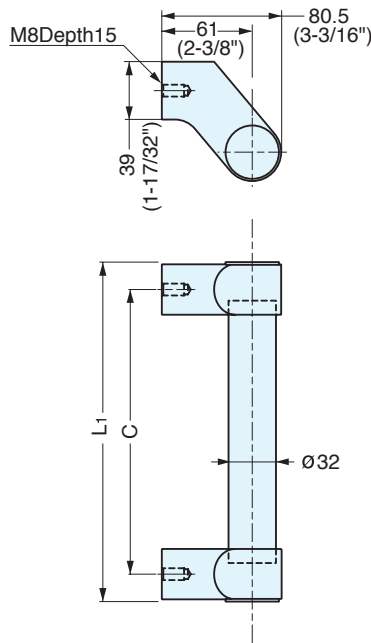


Item No.	C	L	A	Material	Finish	Door Thickness (mm)	Door Hole	Box (Set)
DTM-B400GA	200 ( 7-7/8" )	400 (15-3/4")	120	Brass	24K Gold Plating (Body)	Wood Door 36~50 (1-7/16"~1-31/32")	$\varnothing 17$ (11/16")	1 Set
DTM-B580GA	380 (14-15/16")	580 (22-7/8")	300			Glass Door 10~15 ( 25/64"~19/32" )		

# LARGE HANDLE

# MDH

- Choose handle length and material, and either in-line or offset posts.
- Handle bars available in 304 stainless steel (304SS) or carbon fiber reinforced polymer (CFRP). Posts are zinc die cast with a chrome (CR) finish.
- Includes hexagonal M8 × 15 bolts.
- Assembly required.



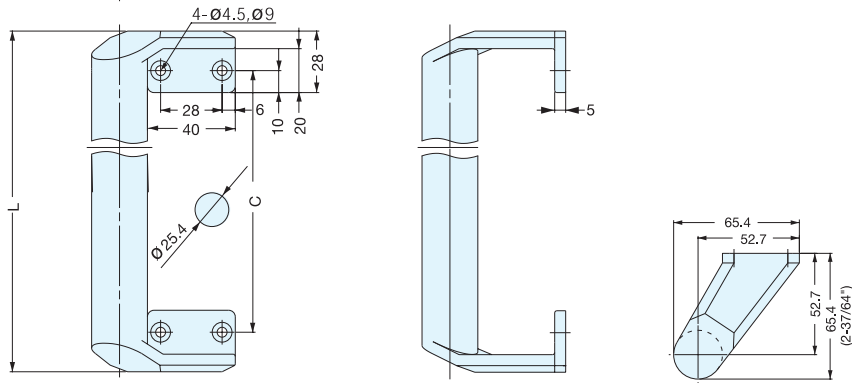
	Material	Finish
Inline Bracket	Zinc Alloy	Chrome
Offset Bracket		
Handle	304 Stainless Steel	Satin
	CFRP	-

Item No.		Material	C (mm)	L <sub>1</sub> (mm)	L <sub>0</sub> (mm)	Weight (g)	
Inline Posts	Offset Posts					Inline	Offset
MDH-PS 192-IH	MDH-PS 192-OH	304 Stainless Steel	192 ( 7-9/16" )	256	226	1386	1506
MDH-PS 350-IH	MDH-PS 350-OH		350 (13-25/32")	414	384	1729	1849
MDH-PS 500-IH	MDH-PS 500-OH		500 (19-11/16")	564	534	2052	2172
MDH-PS 800-IH	MDH-PS 800-OH		800 ( 31-1/2" )	864	834	2702	2822
MDH-PS1200-IH	MDH-PS1200-OH		1200 ( 47-1/4" )	1264	1234	3572	3692
MDH-PC 192-IH	MDH-PC 192-OH		CFRP	192 ( 7-9/16" )	256	226	1072
MDH-PC 350-IH	MDH-PC 350-OH	350 (13-25/32")		414	384	1134	1254
MDH-PC 500-IH	MDH-PC 500-OH	500 (19-11/16")		564	534	1193	1313
MDH-PC 800-IH	MDH-PC 800-OH	800 ( 31-1/2" )		864	834	1311	1431
MDH-PC1200-IH	MDH-PC1200-OH	1200 ( 47-1/4" )		1264	1234	1469	1589

# LARGE HANDLE



## MP-500, 750, 1000



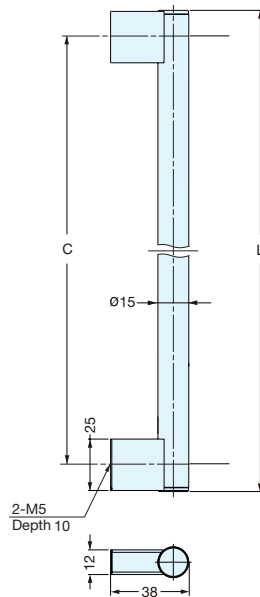
- Ideal for harsh and high corrosive environments.
- Designed for machinery applications where a heavy duty handle is required.

Item No.	L	C	Weight (g)	Box (pcs)	Carton (pcs)	Material	Finish
MP- 500	500	464 (18-17/64")	1000	2	20	316 Stainless Steel	Mirror
MP- 750	750	714 (28-7/64")	1300		16		
MP-1000	1000	964 (37-61/64")	1600		12		

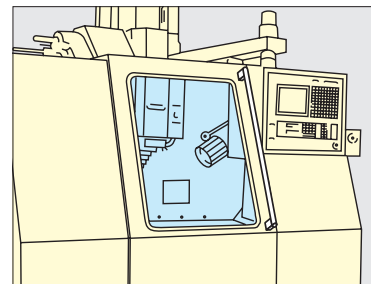
# LARGE HANDLE



## RH-760



- Low profile design.
- Designed for machinery applications where a heavy duty handle is required.
- Recommended screw size: M5

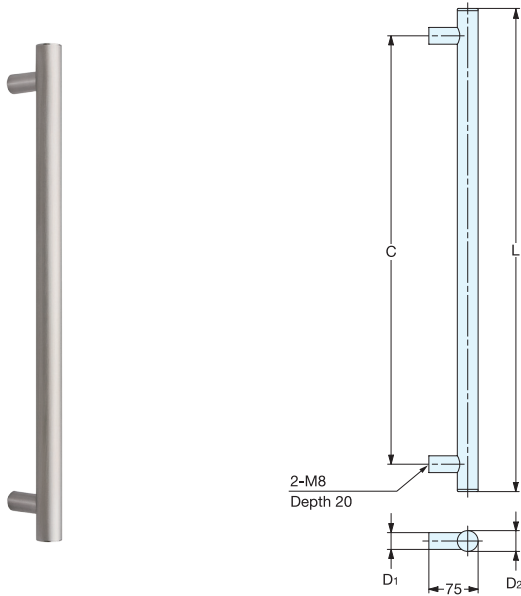


Item No.	L	C	Weight (g)	Box (pcs)	Carton (pcs)	Material	Finish
RH-760	786	760 (29-59/64")	340	20	200	304 Stainless Steel	Satin

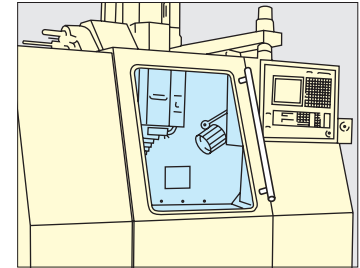
# LARGE HANDLE



SSH



- Ideal in high corrosive environments and machinery applications.
- Designed for applications where a heavy duty handle is required.
- Recommended screw size: M8



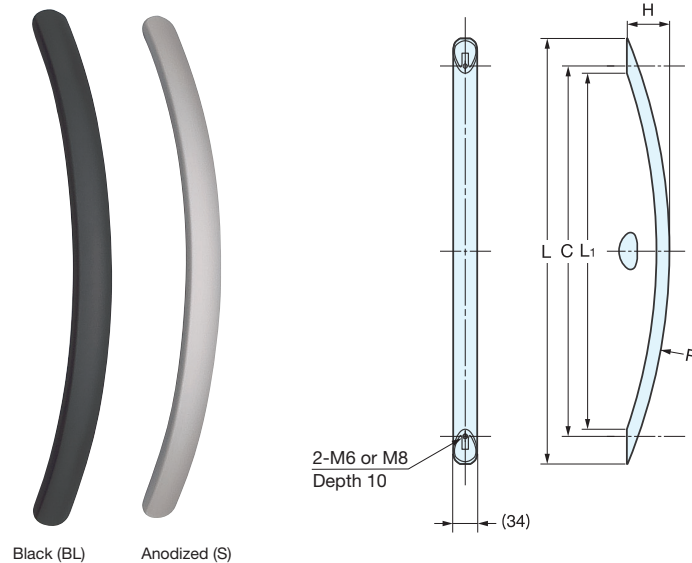
Item No.	L	C	D <sub>1</sub>	D <sub>2</sub>	Weight (g)	Box (pcs)	Carton (pcs)
SSH-2540	400	316 (12-7/16")	19	25	665	10	100
SSH-2560	600	516 (20-5/16")			750		
SSH-2580	800	716 (28-3/16")			840		
SSH-3240	400	316 (12-7/16")	25	32	1175	5	50
SSH-3260	600	516 (20-5/16")			1290		
SSH-3280	800	716 (28-3/16")			1400		

Material	Finish
304 Stainless Steel	Satin

# ALUMINUM LARGE HANDLE



SOR



Black (BL) Anodized (S)

- Ideal for machinery applications where a large handle is required.
- Recommended screw size:  
M6 (400 and 600)  
M8 (800)

Material	Finish
Aluminum	Anodized (S) Black (BL)

Item No.	L	L <sub>1</sub>	C	H	R	Weight (g)	Box (pcs)	Carton (pcs)
SOR-400/S	SOR-400/BL	(390) (15-23/64")	(323)	335 ( 13-3/16" )	(60) ( 2-23/64" )	350	385	30
SOR-600/S	SOR-600/BL	(600) ( 23-5/8" )	(502)	522 (20-35/64")		790	495	20
SOR-800/S	SOR-800/BL	(816) ( 32-1/8" )	(686)	710 (27-61/64")		1440	605	15

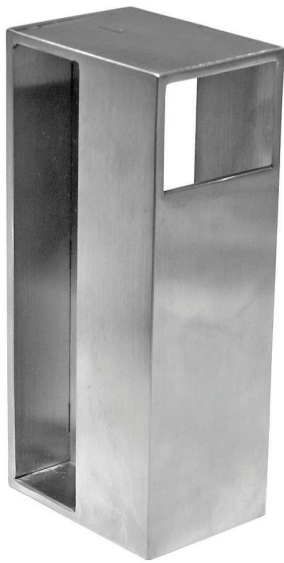
## SLIDING DOOR HANDLE



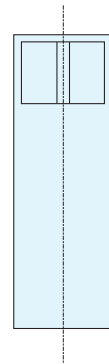
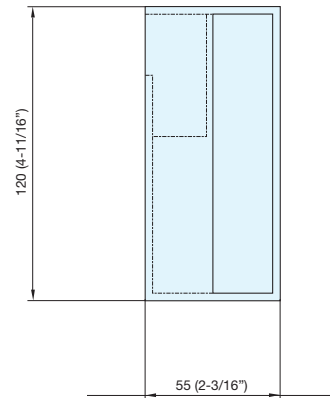
## SLIDING DOOR HANDLE



## DSI-4251



- Contemporary handle design that can be accessed from door front, back, or edge.
- Requires adhesive for installation (such as 2-part epoxy, not supplied.)



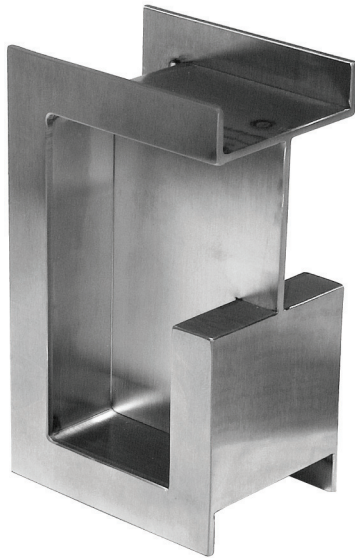
Item No.	A	Weight (g)	Box (pcs)	Carton (pcs)
DSI-4251-35	35 ( 1-3/8" )	490 (1.08 lbs)	1	10
DSI-4251-38	38 ( 1-1/2" )	515 (1.14 lbs)		
DSI-4251-40	40 ( 1-9/16" )	530 (1.17 lbs)		
DSI-4251-43	43 ( 1-11/16" )	550 (1.21 lbs)		
DSI-4251-45	44.5 ( 1-3/4" )	570 (1.26 lbs)		
DSI-4251-50	50 ( 1-31/32" )	590 (1.30 lbs)		

Material	Finish
304 Stainless Steel	Satin

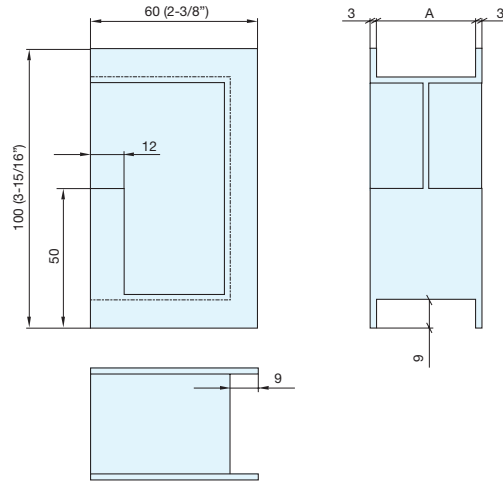
# SLIDING DOOR HANDLE

STAINLESS  
304  
STEEL

# DSI-4253



- Contemporary handle design that can be accessed from door front, back, or edge.
- Requires adhesive for installation (Such as 2-part epoxy, not supplied.)



Item No.	A	Weight (g)	Box (pcs)	Carton (pcs)	Material	Finish
DSI-4253-35	35 ( 1-3/8" )	495 (1.09 lbs)	1	10	304 Stainless Steel	Satin
DSI-4253-38	38 ( 1-1/2" )	505 (1.11 lbs)				
DSI-4253-40	40 ( 1-9/16" )	515 (1.14 lbs)				
DSI-4253-43	43 ( 1-11/16" )	530 (1.17 lbs)				
DSI-4253-45	44.5 ( 1-3/4" )	545 (1.20 lbs)				

# SLIDING DOOR HANDLE

STAINLESS  
304  
STEEL

BRASS

# DSI-3250

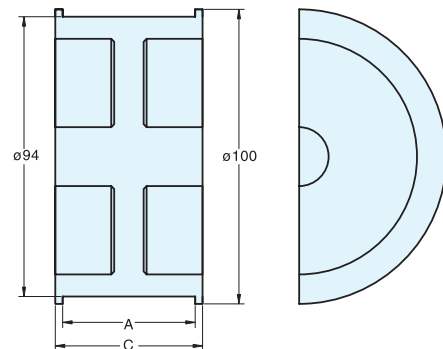


Satin



Antique Brass

- Contemporary handle design that can be accessed from door front, back, or edge.
- Requires adhesive for installation (Such as 2-part epoxy, not supplied.)



Item No.	C	A	Weight (g)	Box (pcs)	Carton (pcs)	Material	Finish
<del>DSI-3250-12-1</del>	16 ( 5/8" )	12 ( 15/32" )	280 (0.6 lbs)	1	10	304 Stainless Steel	Satin
DSI-3250-35	17 ( 11/16" )	12.7 ( 1/2" )	280 (0.6 lbs)				
DSI-3250-35-AB	39 (1-17/32")	35 ( 1-3/8" )	440 (0.9 lbs)				
DSI-3250-45	49 (1-15/16")	45 (1-49/64")	550 (1.2 lbs)				
DSI-3250-45-AB	54 ( 2-1/8" )	50 (1-31/32")	670 (1.5 lbs)				



## SLIDING DOOR HANDLE

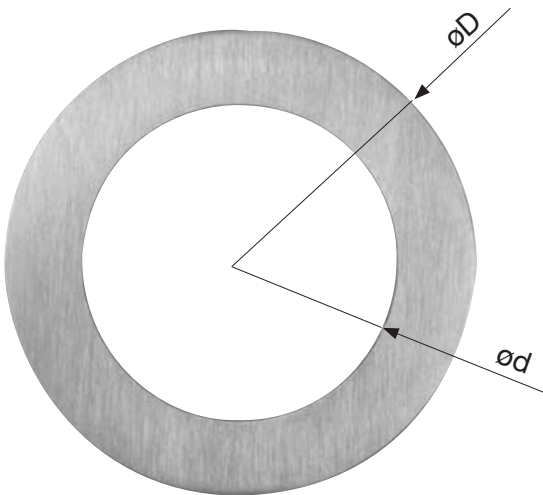


## SLIDING DOOR HANDLE

STAINLESS  
304  
STEEL

## DSI-3010

- Surface-mount handle.
- Includes double-sided tape for installation.

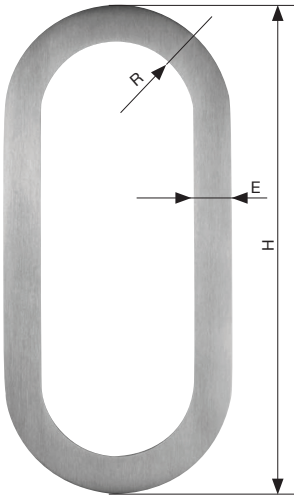


Item No.	D	d	Thickness (mm)	Weight (g)	Box (pcs)	Carton (pcs)
DSI-3010- 40	40 ( 1-9/16" )	24 ( 15/16" )	6 (1/4")	80	1	10
DSI-3010- 70	70 ( 2-3/4" )	46 ( 1-13/16" )		140		
DSI-3010-100	100 ( 3-15/16" )	68 ( 2-11/16" )		200		

Material	Finish
304 Stainless Steel	Satin

## SLIDING DOOR HANDLE

### DSI-3020

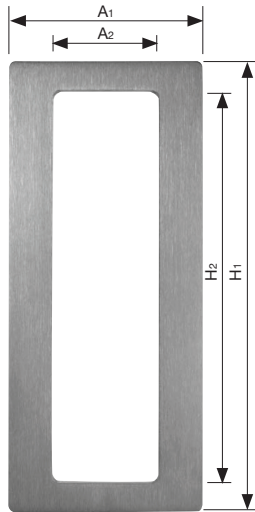


- Surface-mount handle.
- Includes double-sided tape for installation.

					Material	Finish		
					304 Stainless Steel	Satin		
Item No.	H	E	R	Thickness (mm)	Weight (g)	Box (pcs)	Carton (pcs)	
DSI-3020-85	85 ( 3-3/8" )	8	20	6 (1/4")	70	1	10	
DSI-3020-150	150 ( 5-7/8" )	12	35		125			
DSI-3020-300	300 (11-13/16")	16	50		250			

## SLIDING DOOR HANDLE

### DSI-4020

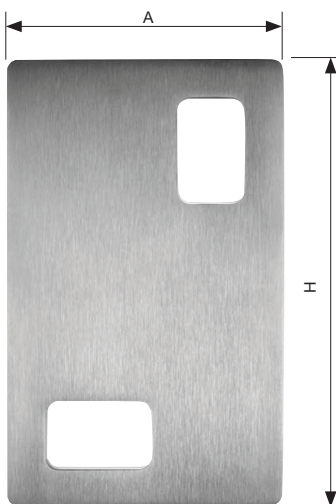


- Surface-mount handle.
- Includes double-sided tape for installation.

					Material	Finish				
					304 Stainless Steel	Satin				
Item No.	H <sub>1</sub>	H <sub>2</sub>	A <sub>1</sub>	A <sub>2</sub>	R	Thickness (mm)	Weight (g)	Box (pcs)	Carton (pcs)	
DSI-4020-85	85 ( 3-3/8" )	65 (2-9/16")	50 ( 2" )	20 (13/16")	20	6 (1/4")	135	1	10	
DSI-4020-150	150 ( 5-7/8" )	130 ( 5-1/8" )	65 (2-9/16")	35 (1-3/8")	35		240			
DSI-4020-300	300 (11-13/16")	280 ( 11" )	80 (3-3/16")	50 ( 2" )	60		480			

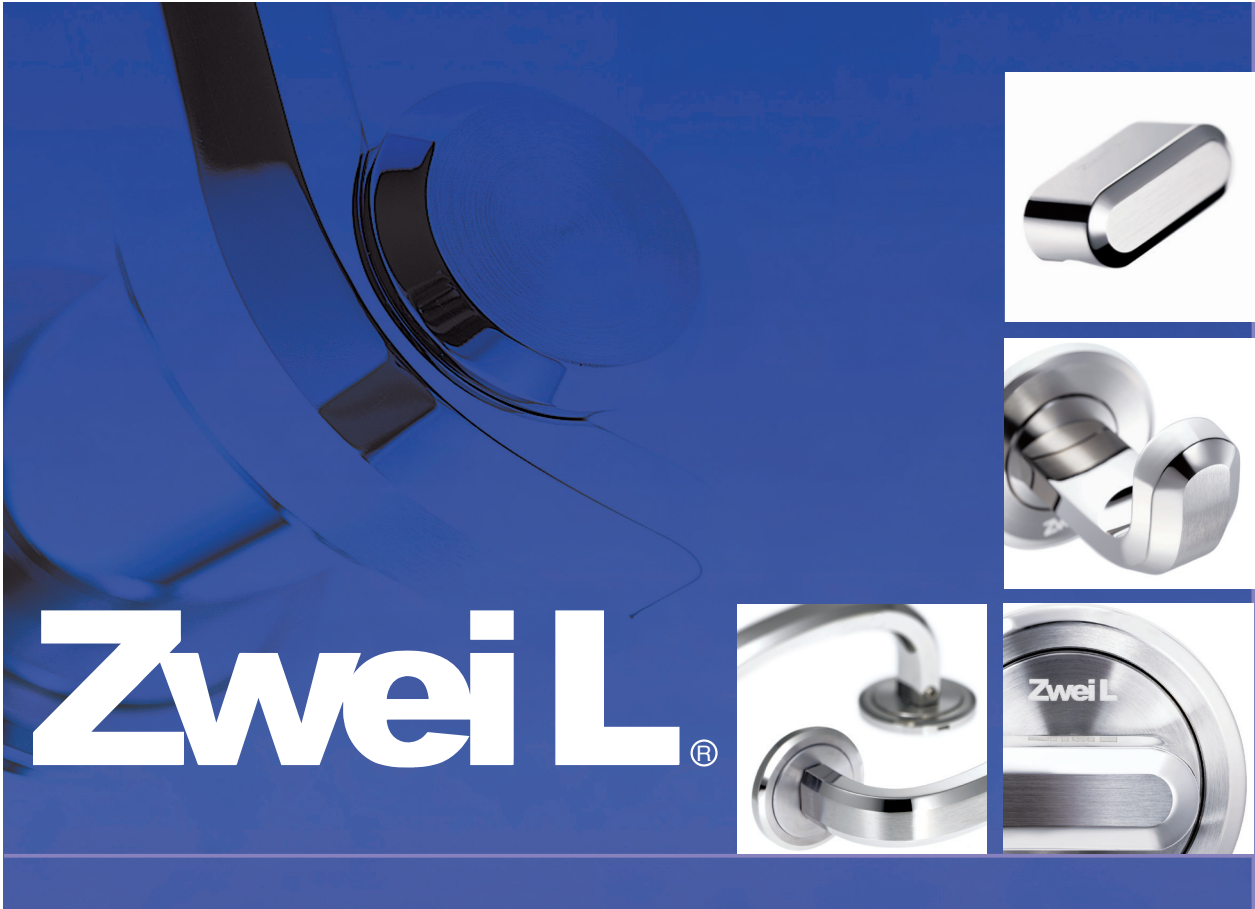
## SLIDING DOOR HANDLE

### DSI-4040



- Surface-mount handle.
- Includes double-sided tape for installation.

					Material	Finish		
					304 Stainless Steel	Satin		
Item No.	H	A	Thickness (mm)	Weight (g)	Box (pcs)	Carton (pcs)		
DSI-4040-85	85 ( 3-3/8" )	50 ( 2" )	6 (1/4")	70	1	10		
DSI-4040-150	150 ( 5-7/8" )	92 ( 3-5/8" )		125				
DSI-4040-300	300 (11-13/16")	185 (7-5/16")		250				



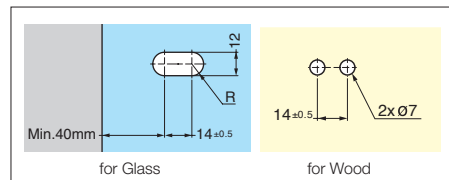
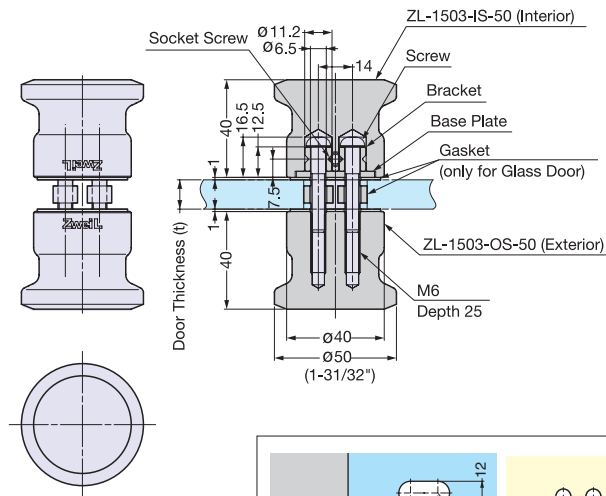
**Zwei L** Glass Door Knob



ZL-1503



- Door Thickness (t)
  - Wooden/Metal Frame Door: 36-48 mm (1-7/16"-1-7/8")
  - Glass Door: 6-12 mm (1/4"-1/2")



Item No.	Type	Material	Finish/Color	Weight (g)	Box (pcs)
ZL-1503-IS-50	Interior Knob	316 Stainless Steel	Zwei L	480	1
ZL-1503-OS-50	Exterior Knob			507	1
ZL-1503-WN-50*	Back-to-Back Knob			1000	1

\*Back-to-Back type includes 2 knobs, screw set and allen key

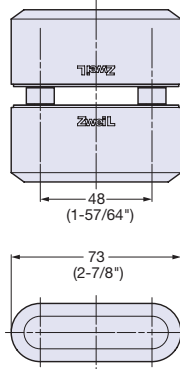
# ZweiL Glass Door Pull



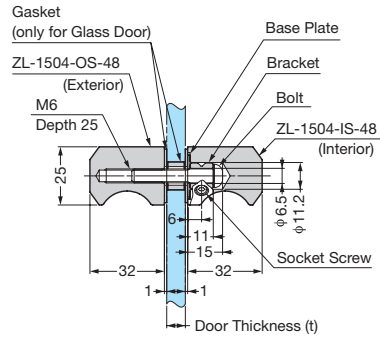
## ZL-1504

HANDLES

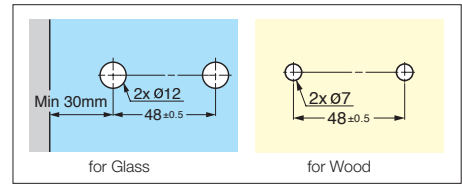
GLASS DOOR PULLS



- Door Thickness (t)
  - Wooden/Metal Frame Door: 36~48 mm (1-7/16"~1-7/8")
  - Glass Door: 6~12 mm (1/4"~1/2")
  - Hardware set for glass only included in back to back set.



Item No.	Type	Material	Finish/Color	Weight (g)	Box (pcs)
ZL-1504-IS-48	Interior Pull	316 Stainless Steel	Zwei L	432	1
ZL-1504-OS-48	Exterior Pull			462	
ZL-1504-WN-48*	Back-to-Back Pull			989	



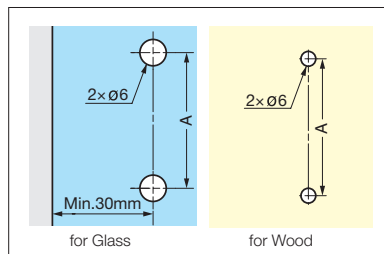
Cut out dimensions

\*Back-to-Back type includes 2 knobs, screw set and allen key

# ZweiL Glass Door Pull

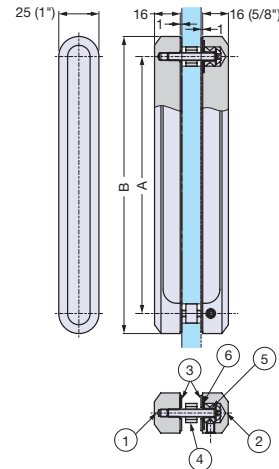


## ZL-1505



Cut out dimensions

- Door Thickness (t)
  - Wooden/Metal Frame Door: 40~46 mm (1-9/16"~1-13/16")
  - Glass Door: 8~12 mm (5/16"~1/2")



Item No.	Type	A	B	Weight (g)	Box (pcs)
ZL-1505-IS-160	Interior Pull	160 (6-19/64")	185 (7-9/32")	563	1
ZL-1505-OS-160	Exterior Pull	160 (6-19/64")	185 (7-9/32")	580	
ZL-1505-WN-160*	Back-to-Back Pull	160 (6-19/64")	185 (7-9/32")	1177	

Item No.	Type	A	B	Weight (g)	Box (pcs)
ZL-1505-IS-320	Interior Pull	320 (12-19/32")	345 (13-37/64")	1023	1
ZL-1505-OS-320	Exterior Pull	320 (12-19/32")	345 (13-37/64")	1052	
ZL-1505-WN-320*	Back-to-Back Pull	320 (12-19/32")	345 (13-37/64")	2109	

No.	Part Name	Material
①	Main Body	316 Stainless Steel
②		316 Stainless Steel
③	Gasket	Elastomer
④	Rubber Ring	Chloroprene Rubber
⑤	Bracket	316 Stainless Steel
⑥	Washer	316 Stainless Steel

\*Back-to-Back type includes 2 knobs, screw set and allen key

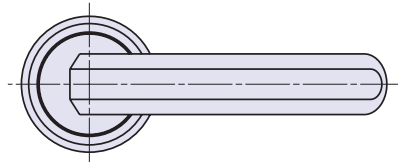
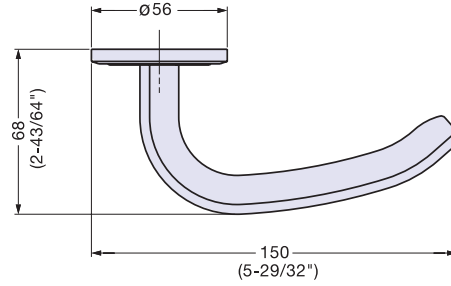
## ZweiL Lever Handle

STAINLESS  
316  
STEEL

ZL-1101



- Non-handed.
- For use with mortise case locks, etc. (Not supplied).



Item No.	Material	Finish/Color	Weight (g)	Box (pcs)
ZL-1101	316 Stainless Steel	Zwei L	1205	1

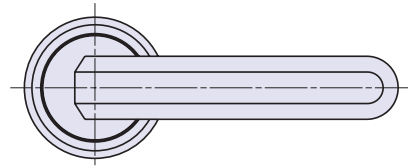
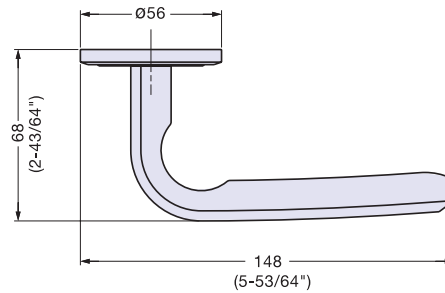
## ZweiL Lever Handle

STAINLESS  
316  
STEEL

ZL-1102



- Non-handed.
- For use with mortise case locks, etc. (Not supplied).



Item No.	Material	Finish/Color	Weight (g)	Box (pcs)
ZL-1102	316 Stainless Steel	Zwei L	1133	1



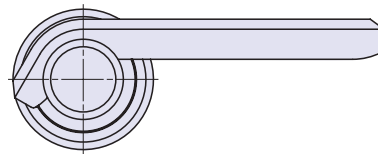
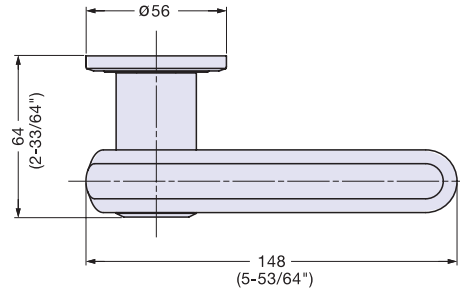
# ZweiL Lever Handle

STAINLESS  
316  
STEEL

ZL-1103



- Non-handed.
- For use with mortise case locks, etc. (Not supplied).



Item No.	Material	Finish/Color	Weight (g)	Box (pcs)
ZL-1103	316 Stainless Steel	Zwei L	1751	1

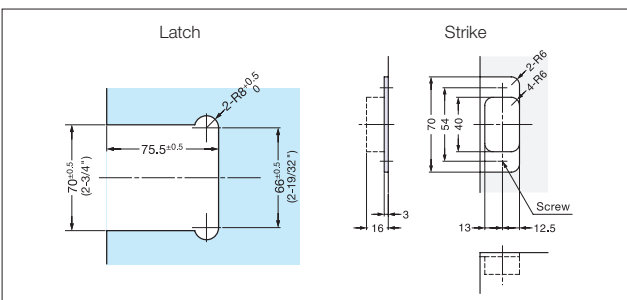
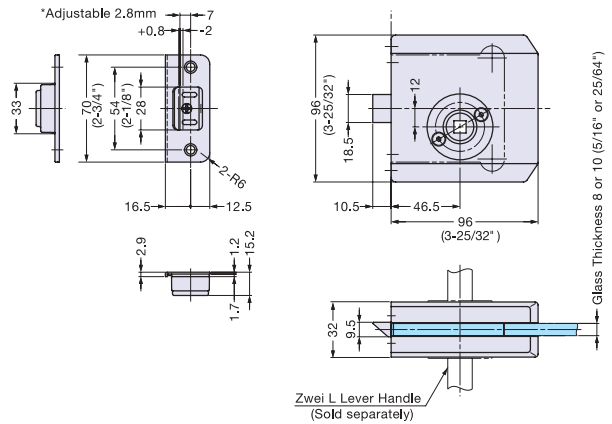
# ZweiL Glass Door Latch

STAINLESS  
316  
STEEL

ZL-1601



- Lever handle not included.
- Can be used with ZL-1101, ZL-1102 and ZL-1103 lever handles.



ZL-1601-2 is shown.

Item No.	Material	Finish/Color	Handing	Weight (g)	Box (pcs)
ZL-1601-1	316 Stainless Steel	Zwei L	Right Hand Opening Away/Left Hand Opening Towards	970	1
ZL-1601-2			Left Hand Opening Away/Right Hand Opening Towards		



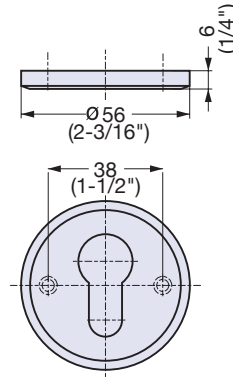
## ZweiL Escutcheon

STAINLESS  
316  
STEEL

ZL-1202



- Ø56 (Material: 316 Stainless Steel).
- Please use ZL-1403 for thumbturn knob (P.27).



Item No.	Material	Finish/Color	Weight (g)	Box (pcs)
ZL-1202	316 Stainless Steel	Zwei L	150	1

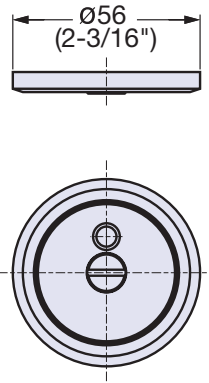
## ZweiL Indicator

STAINLESS  
316  
STEEL

ZL-1301-INR



- Ø56 (Material: 316 Stainless Steel).



Item No.	Material	Finish/Color	Weight (g)	Box (pcs)
ZL-1301-INR	316 Stainless Steel	Zwei L	194	1

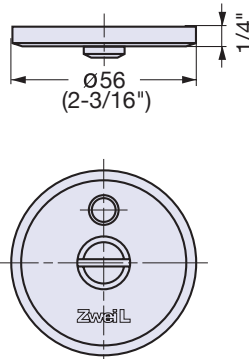
## ZweiL Indicator

STAINLESS  
316  
STEEL

ZL-1302



- Ø56 (Materials: Both 304 & 316 Stainless Steel).
- For use with ZL-1402 (P.27).



Item No.	Material	Finish/Color	Weight (g)	Box (pcs)
ZL-1302	316 Stainless Steel	Zwei L	135	1

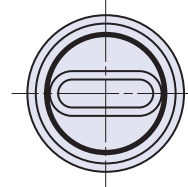
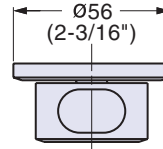
## ZweiL Thumbturn



## ZL-1401-SMR



- Ø56 (Material: 316 Stainless Steel).



Item No.	Material	Finish/Color	Weight (g)	Box (pcs)
ZL-1401-SMR	316 Stainless Steel	Zwei L	305	1

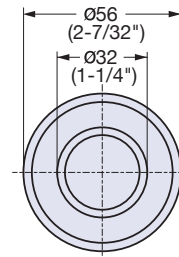
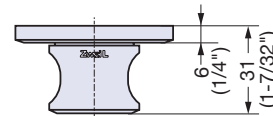
## ZweiL Thumbturn



## ZL-1402



- Ø56 (Material: 316 Stainless Steel).
- For use with ZL-1302 (P.26).
- Please use ZL-1403 for thumbturn knob.



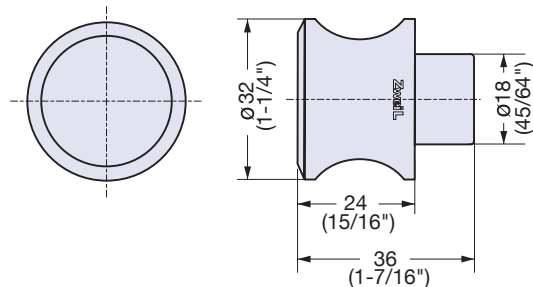
Item No.	Material	Finish/Color	Weight (g)	Box (pcs)
ZL-1402	316 Stainless Steel	Zwei L	251	1

## ZweiL Thumbturn Knob

## ZL-1403



- Ø56 (Material: 316 Stainless Steel).
- For use with profile cylinder, etc. (Not supplied).
- Works with ZL-1202 (P.26).
- Does not work with indicators.



Item No.	Material	Finish/Color	Weight (g)	Box (pcs)
ZL-1403	316 Stainless Steel	Zwei L	198	1