



DRAWER SLIDES

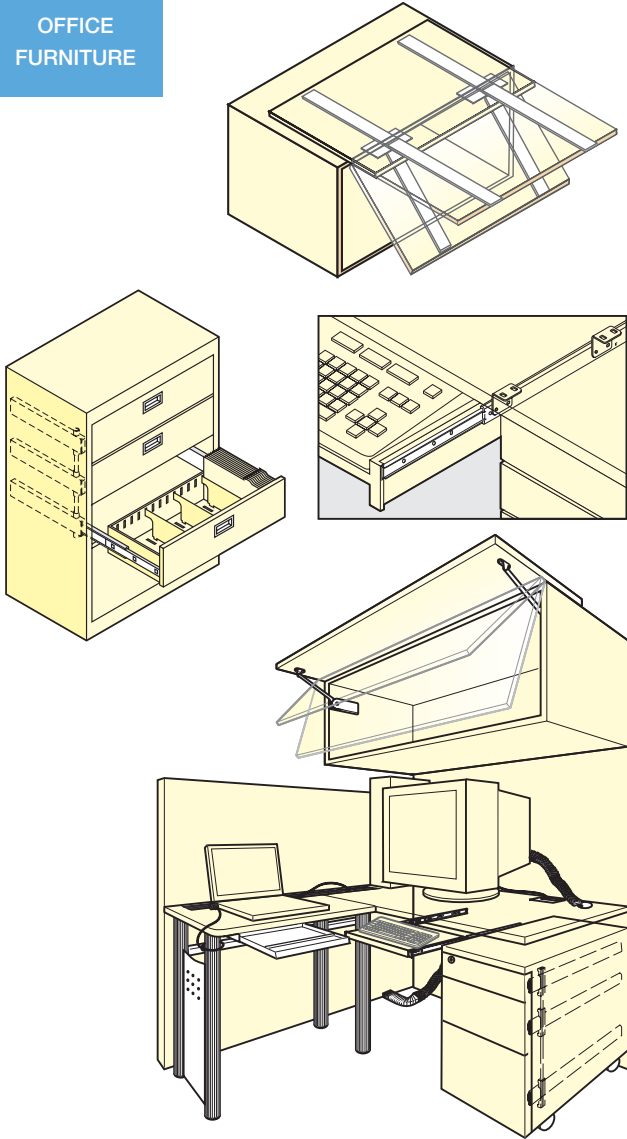
STAINLESS STEEL DRAWER SLIDES
ALUMINUM DRAWER SLIDES
LINEAR SLIDES

APPLICATION EXAMPLE

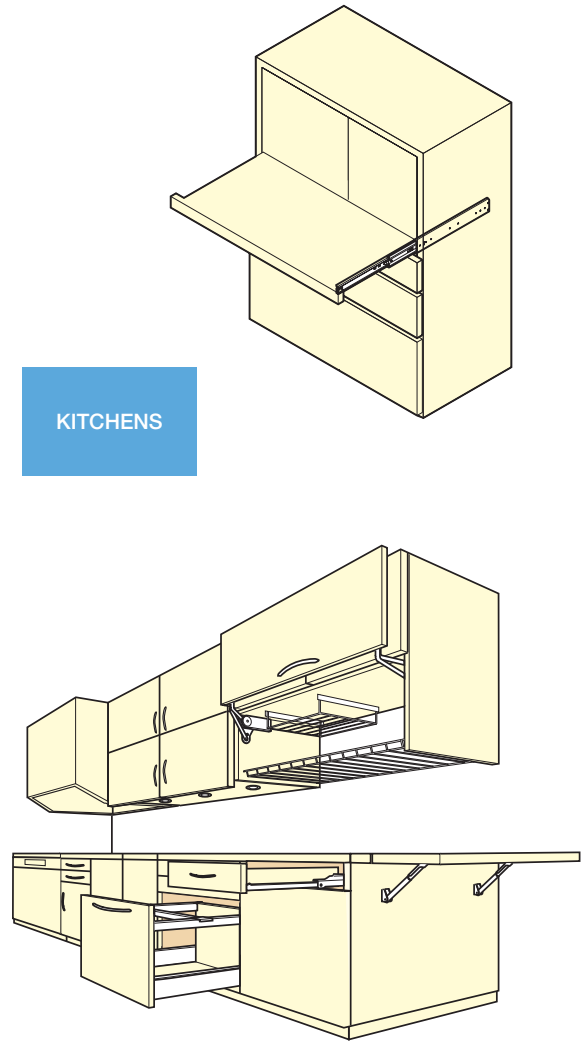
DRAWER SLIDES

APPLICATION EXAMPLES

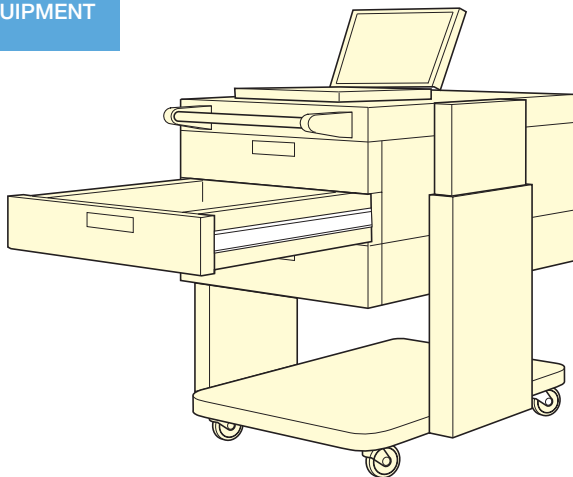
OFFICE FURNITURE



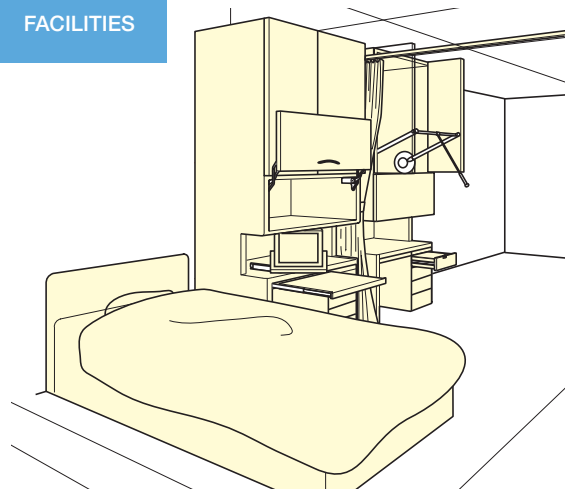
KITCHENS



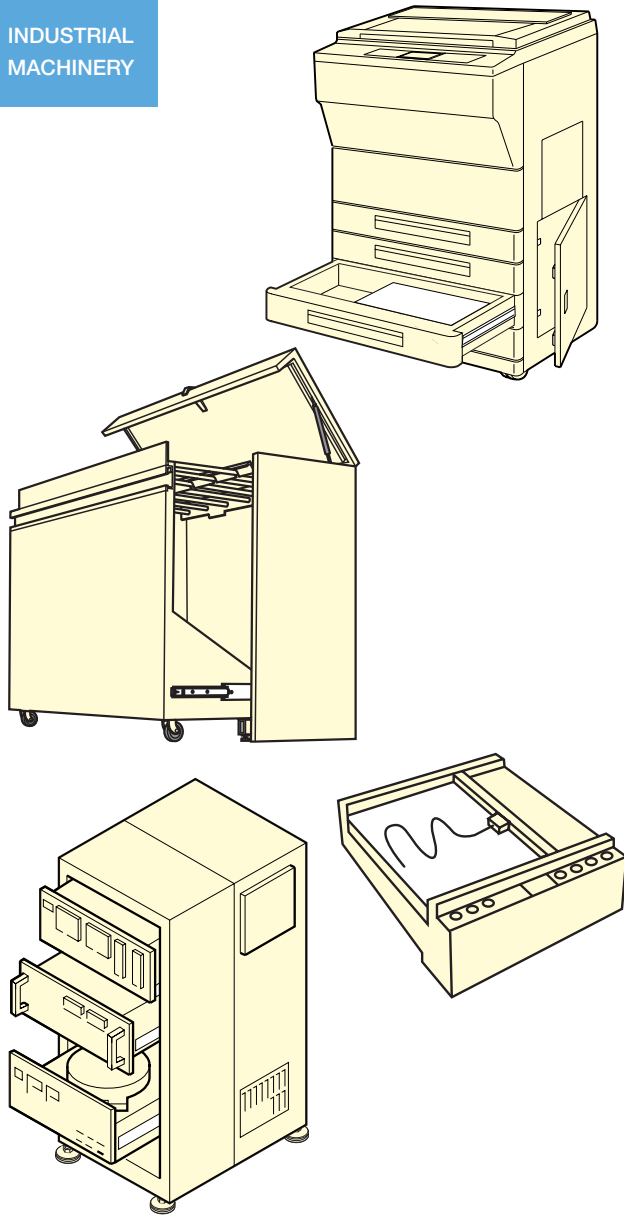
MEDICAL EQUIPMENT



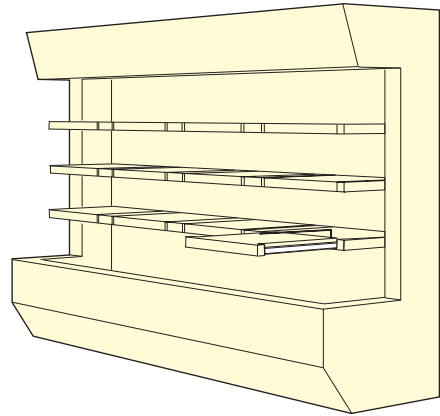
MEDICAL FACILITIES



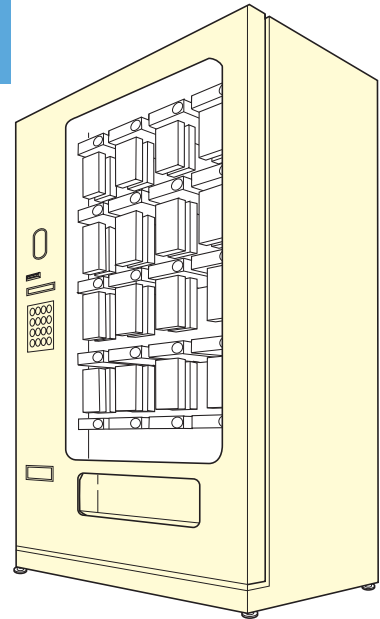
INDUSTRIAL
MACHINERY



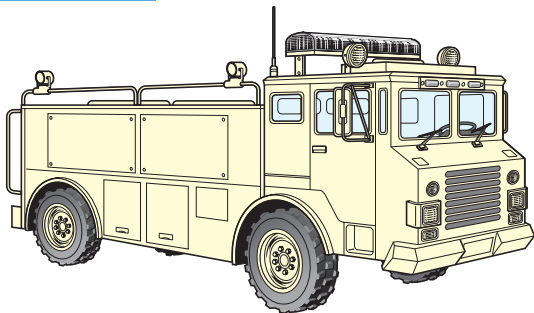
STORE
FIXTURES



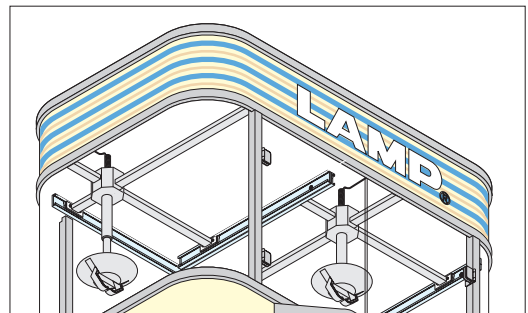
VENDING
MACHINES



VEHICLES



GAMING
MACHINES



STAINLESS STEEL FULL EXTENSION SLIDES

Item No.	Load Rating (pair)	Page	Side View	Hold-In Detent	Hold-Out Detent	Positive Stop	Positive Lock	Positive Catch	Front Disconnect	Friction Brake Stop	Quick Disconnect	Others Features	Non-Handed
				Features									
273SL	12-18 kg (26-39 lbs)	360				●			●				●
ESR-2031	13-17 kg (28-37 lbs)	374				●							●
ESR-3813	29-45 kg (64-98 lbs)	359		●		●			●				●
ESR-7	36-64 kg (79-139 lbs)	362					●		●				●
ESR-4513	40-52 kg (87-115 lbs)	358		●		●			●				●
ESR-3	43-65 kg (94-143 lbs)	363				●					●		
ESR-6	45-60 kg (99-132 lbs)	361				●							●
TSS3	50-95 kg (110-209 lbs)	366				●							●

Item No.	Load Rating (pair)	Page	Side View	Hold-In Detent	Hold-Out Detent	Positive Stop	Positive Lock	Positive Catch	Front Disconnect	Friction Brake Stop	Quick Disconnect	Others Features	Non-Handed
				Features									
5302	64-116 kg (140-255 lbs)	364		●		●							●
ESR-10	182-272 kg (400-599 lbs)	365				●							●

STAINLESS STEEL 3/4 EXTENSION SLIDES

Item No.	Load Rating (pair)	Page	Side View	Features									
				Hold-In Detent	Hold-Out Detent	Positive Stop	Positive Lock	Positive Catch	Front Disconnect	Friction Brake Stop	Quick Disconnect	Others Features	Non-Handed
ESR-2	5-8 kg/pc (11-18 lbs/pc)	372						●					Under Mount
ESR-2021	11-16 kg (24-35 lbs)	374				●							●
272SL	14-18 kg (30-39 lbs)	367				●		●					●
ESR-1	25-49 kg (55-107 lbs)	368						●	●				●
ESR-13	25-49 kg (55-107 lbs)	369				●		●					●

Item No.	Load Rating (pair)	Page	Side View	Features												
				Hold-In Detent	Hold-Out Detent	Positive Stop	Positive Lock	Positive Catch	Front Disconnect	Friction Brake Stop	Quick Disconnect	Others Features	Non-Handed			
ESR-8	25-49 kg (55-107 lbs)	370					●		●							●
ESR-5	80-114 kg (176-251 lbs)	371				●										●

ALUMINUM FULL EXTENSION SLIDES


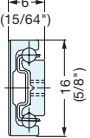

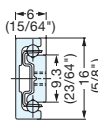

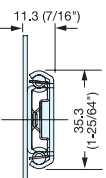

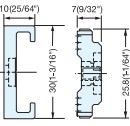

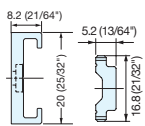
Item No.	Load Rating (pair)	Page	Side View	Features												
				Hold-In Detent	Hold-Out Detent	Positive Stop	Positive Lock	Positive Catch	Front Disconnect	Friction Brake Stop	Quick Disconnect	Others Features	Non-Handed			
AR3-16	2-4 kg (4.4-8.8 lbs)	375					●									●
AR3	15 kg (33 lbs)	376					●									●
AR3-K	12-14.5 kg (27-32 lbs)	377				●	●									●

ALUMINUM 3/4 EXTENSION SLIDES

Item No.	Load Rating (pair)	Page	Side View	Features												
				Hold-In Detent	Hold-Out Detent	Positive Stop	Positive Lock	Positive Catch	Front Disconnect	Friction Brake Stop	Quick Disconnect	Others Features	Non-Handed			
AR2	15 kg (33 lbs)	376					●									●
AR2-K	13-18 kg (30-40 lbs)	377				●	●									●

Hold-In Detent
 Hold-Out Detent
 Positive Stop
 Positive Lock
 Positive Catch
 Front Disconnect
 Friction Brake Stop
 Quick Disconnect
 Others Features
 Non-Handed

LINEAR SLIDES

Item No.	Load Rating (pair)	Page	Side View	Features										
ARL2-16 	0.8-5 kg (1.7-11 lbs)	375												●
ARW2-16 	1.1-7 kg (2.4-15.4 lbs)	375											2-Way	●
ESR-9 	5 kg (11 lbs)	373											Mounting Plate	●
MRS30, MR-50C 	Horizontal Static Load: 26 kg/pc (57.2 lbs/pc) Vertical Static Load: 15 kg/pc (33 lbs/pc)	379												●
MRS20, MR-20CS 	Horizontal Static Load: 31 kg/pc (67.5 lbs/pc) Vertical Static Load: 18 kg/pc (39.2 lbs/pc)	378												●

Drawer Slide Terms

- **Slide Length**The longest dimension of a fully closed slide. This dimension cannot exceed the depth of the cabinet into which it is installed.
- **Travel**The distance that a slide moves from the closed to a fully open position.
- **¾ Extension**The slide extends approximately ¾ of its length from the front edge of the cabinet front.
This is the normal travel of 2 member slides.
- **Full Extension**The full withdrawal of a drawer from the case. This is the normal travel of 3 member slides.
- **Positive Stop**Drawer stops at extended/open position, but does not lock or detent.
- **Positive Lock**Drawer is firmly held in the extended/out position. Drawer is released by depressing a lever and pushing the drawer inward.
The drawer can also be disconnected by depressing the lever and pulling the drawer outward.
- **Friction Brake Stop** ...Drawer stops at extended/open position by the resistance of the ball retainer.
Usually achieved by deforming the slide races to achieve an interference fit.
- **Hold-in Detent**.....Drawer is firmly held in the fully closed position. Drawer is released by pulling the drawer outward.
This feature is also known as a Positive Catch.
- **Front Disconnect**Drawer member can be disconnected by actuating the disconnect lever.
- **Quick Disconnect**A drawer bracket attaches to the drawer and engages the drawer member of the slide.
The drawer can be disconnected by actuating the drawer rail lock, and pulling it outward.

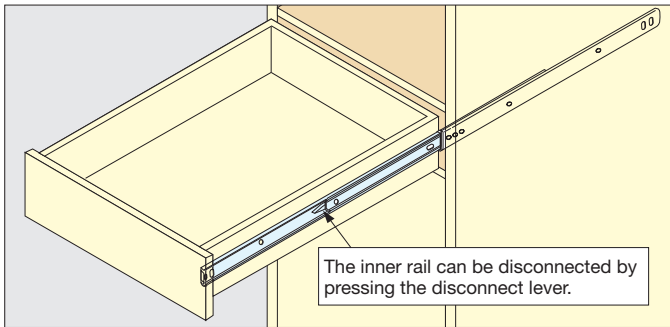
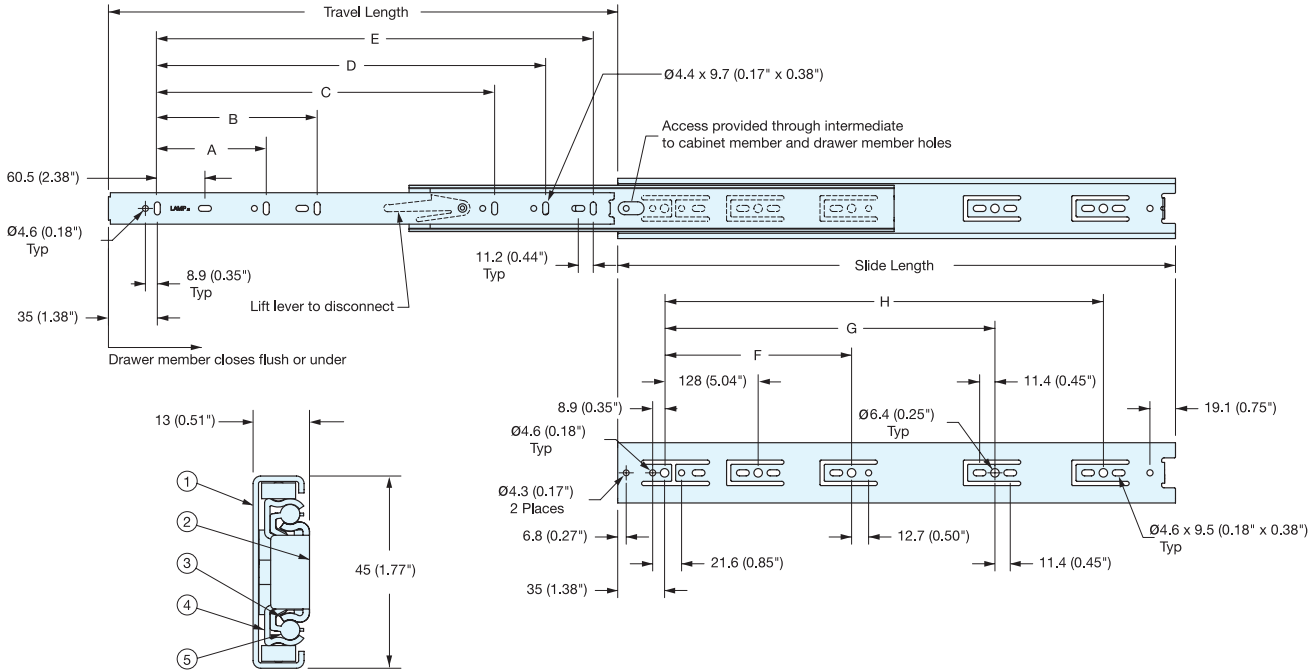
FULL EXTENSION SLIDE



ESR-4513

DRAWER SLIDES

STAINLESS STEEL SLIDES



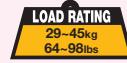
Installation

- Full extension.
- Front disconnect.
- Positive stop.
- Hold-in detent.
- Non-handed.
- * Sold in pairs.
- * Mount with M4 or #8, Binding or Pan head screws.

25.4 mm=1"		
No.	Part	Material
①	Outer Rail	304 Stainless Steel
②	Inner Rail	
③	Retainer	
④	Intermediate Member	
⑤	Balls	
⑥	Detent	Rubber
⑦	Lift Lever	Plastic

Item No.	Slide Length	Travel Length	A	B	C	D	E	F	G	H	Load Rating (kg/pair)	Weight (g)	Box (Pair)
ESR-4513-10	250 (9-27/32")	243 (9-9/16")	-	128	320	416	192	-	224	416	52 (115 lbs)	743 (1.64 lbs)	10
ESR-4513-12	300 (11-13/16")	305 (12")	242				50 (111 lbs)	932 (2.05 lbs)					
ESR-4513-14	350 (13-25/32")	355 (14")	292				49 (108 lbs)	1070 (2.36 lbs)					
ESR-4513-16	400 (15-3/4")	406 (16")	342				47 (104 lbs)	1223 (2.70 lbs)					
ESR-4513-18	450 (17-23/32")	457 (18")	392				46 (100 lbs)	1376 (3.03 lbs)					
ESR-4513-20	500 (19-11/16")	508 (20")	442				44 (97 lbs)	1530 (3.37 lbs)					
ESR-4513-22	550 (21-21/32")	559 (22")	492				43 (95 lbs)	1682 (3.71 lbs)					
ESR-4513-24	600 (23-5/8")	610 (24")	542				42 (92 lbs)	1835 (4.05 lbs)					
ESR-4513-26	650 (25-19/32")	660 (26")	592				41 (90 lbs)	1988 (4.38 lbs)					
ESR-4513-28	700 (27-9/16")	711 (28")	642				40 (87 lbs)	2141 (4.72 lbs)					

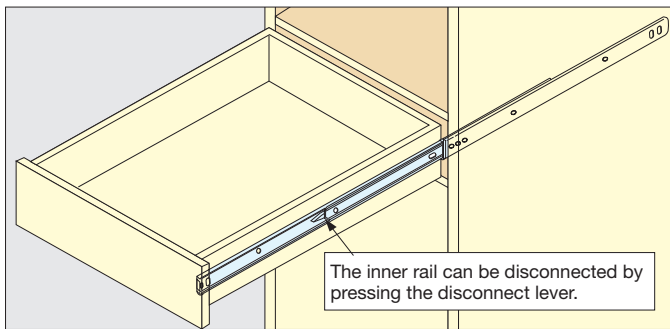
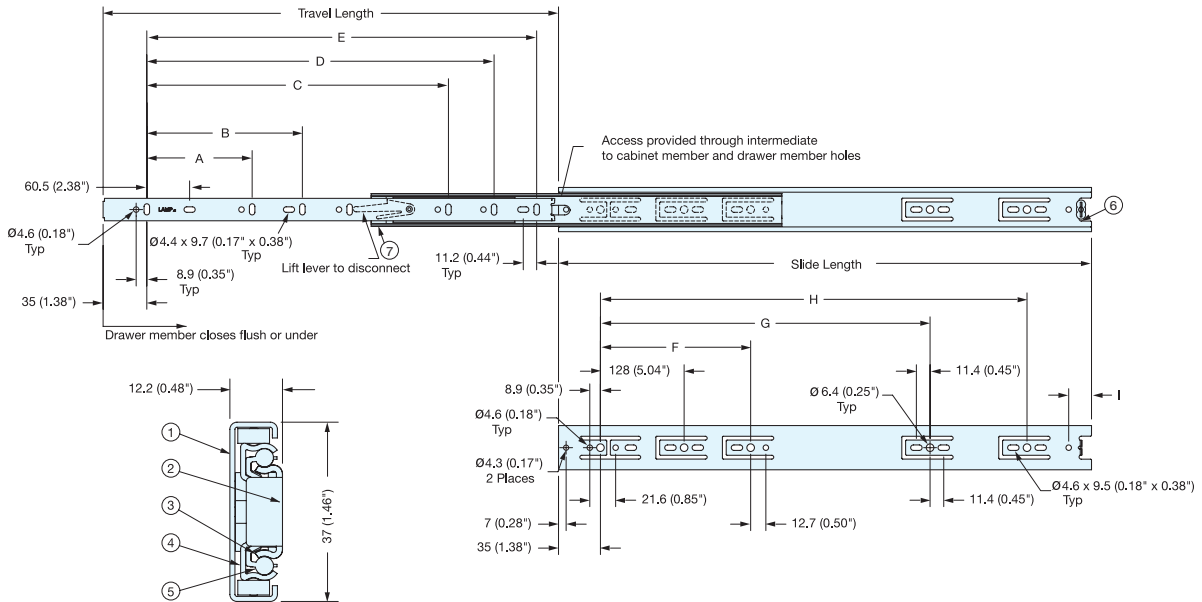
FULL EXTENSION SLIDE



ESR-3813

DRAWER SLIDES

STAINLESS STEEL SLIDES



Installation

- Full extension.
- Front disconnect.
- Positive stop.
- Hold-in detent.
- Non-handed.
- * Sold in pairs.
- * Mount with M4 or #8, Binding or Pan head screws.

25.4 mm=1"

No.	Part	Material
①	Outer Rail	304 Stainless Steel
②	Inner Rail	
③	Retainer	
④	Intermediate Member	
⑤	Balls	Rubber
⑥	Detent	
⑦	Lift Lever	Plastic

Item No.	Slide Length	Travel Length	A	B	C	D	E	F	G	H	I	Load Rating (kg/pair)	Weight (g)	Box (Pair)
ESR-3813- 8	200 (7-7/8")	200 (7-7/8")	-	-	-	-	142	-	-	-	-	45 (98 lbs)	400 (0.88 lbs)	10
ESR-3813-10	250 (9-27/32")	243 (9-9/16")	-	-	-	-	192	-	-	-	-	42 (92 lbs)	530 (1.19 lbs)	
ESR-3813-12	300 (11-13/16")	305 (12")	-	-	-	-	242	-	-	-	-	40 (88 lbs)	637 (1.40 lbs)	
ESR-3813-14	350 (13-25/32")	355 (14")	-	-	-	-	292	-	-	-	-	38 (84 lbs)	726 (1.60 lbs)	
ESR-3813-16	400 (15-3/4")	406 (16")	-	-	-	-	342	-	320	-	-	36 (79 lbs)	816 (1.80 lbs)	
ESR-3813-18	450 (17-23/32")	457 (18")	128	-	-	-	392	224	352	-	19.1	34 (75 lbs)	910 (2.00 lbs)	
ESR-3813-20	500 (19-11/16")	508 (20")	-	-	320	-	442	-	416	-	-	33 (73 lbs)	1000 (2.20 lbs)	
ESR-3813-22	550 (21-21/32")	559 (22")	-	-	-	416	492	-	352	448	-	31 (68 lbs)	1090 (2.40 lbs)	
ESR-3813-24	600 (23-5/8")	610 (24")	-	224	416	-	542	-	-	480	-	29 (64 lbs)	1180 (2.60 lbs)	

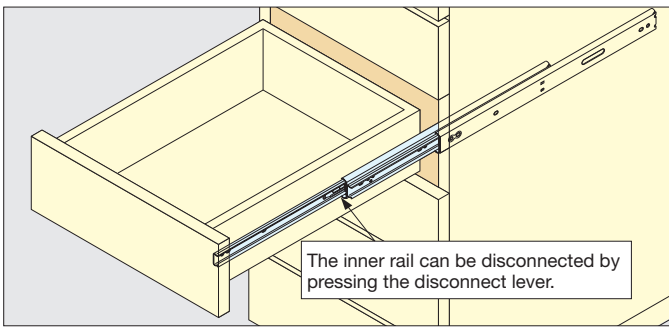
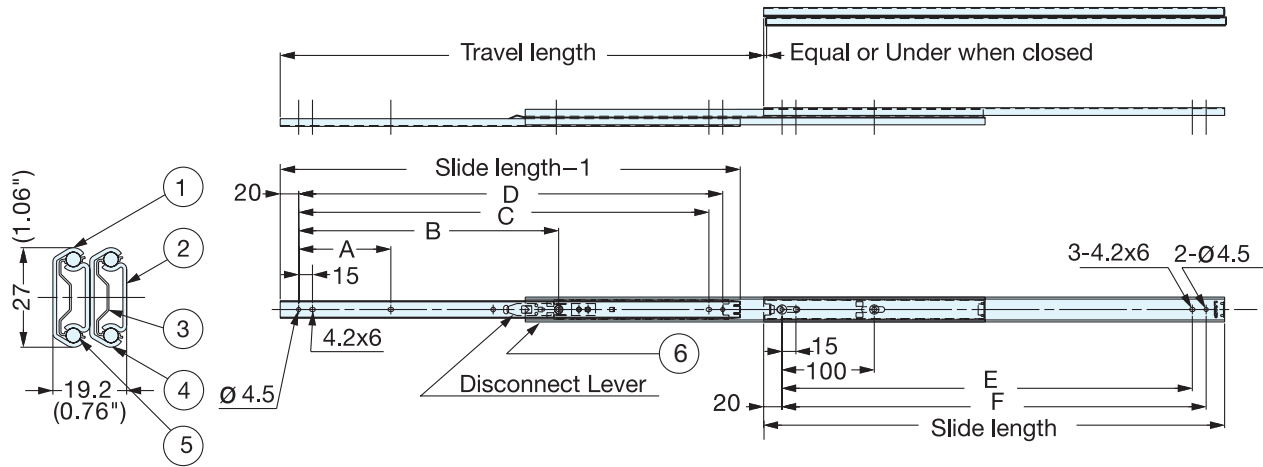
FULL EXTENSION SLIDE



273SL

DRAWER SLIDES

STAINLESS STEEL SLIDES



Installation

- Full extension.
- Front disconnect.
- Positive stop.
- Non-handed.
- * Sold by each.
- * Mount with M4 or #8 Binding, Pan, or Truss head screws.

25.4 mm=1"

No.	Part	Material
①	Outer Rail	304 Stainless Steel
②	Inner Rail	
③	Retainer	
④	Intermediate Member	
⑤	Balls	Plastic
⑥	Guide Block	

Item No.	Slide Length	Travel Length	A	B	C	D	E	F	Load Rating (kg/pair)	Weight (g)	Box (pcs)
273SL-200	200 (7-7/8")	221 (8-45/64")	-	135	-	-	145	160	18 (39 lbs)	-	10
273SL-250	250 (8-27/32")	280 (11-1/32")	-	143.5	195	210	195	210	17 (37 lbs)	-	
273SL-300	300 (11-13/16")	327 (12-7/8")	100	188	245	260	245	260	16 (35 lbs)	-	
273SL-350	350 (13-25/32")	376 (14-13/16")		211.5	295	310	295	310	15 (33 lbs)	-	
273SL-400	400 (15-3/4")	426 (16-25/32")		236	345	360	345	360	14 (30 lbs)	-	
273SL-450	450 (17-23/32")	478 (18-53/64")		261.5	395	410	395	410	13 (28 lbs)	-	
273SL-500	500 (19-11/16")	524 (20-5/8")		282	445	460	445	460	12 (26 lbs)	-	

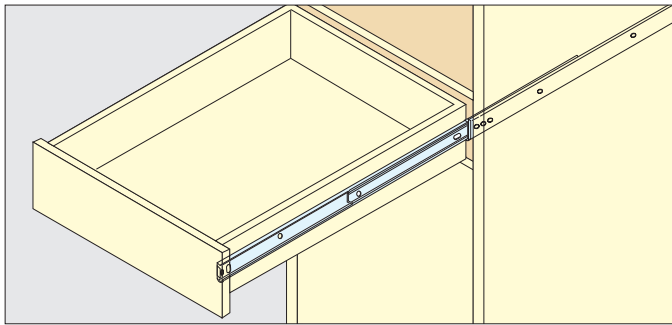
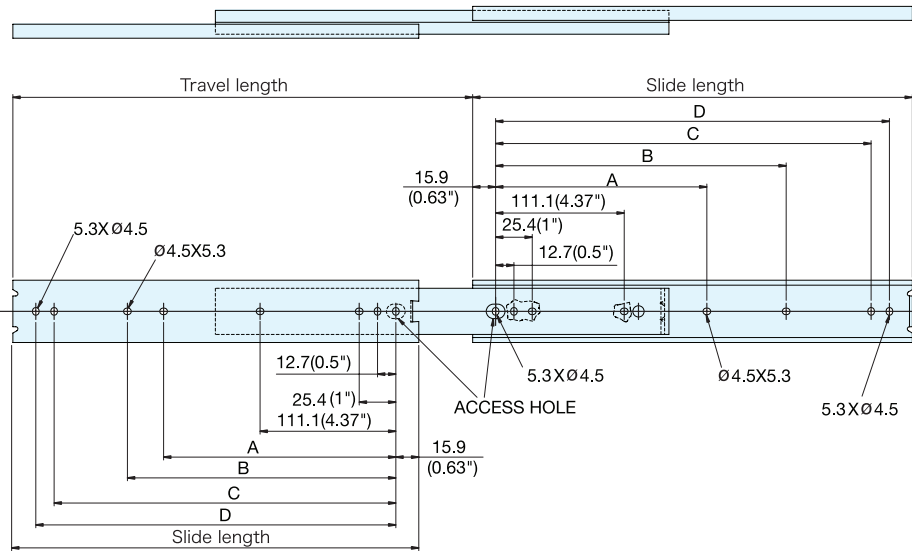
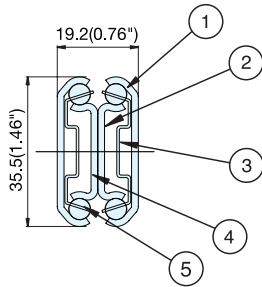
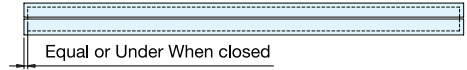
FULL EXTENSION SLIDE

LOAD RATING
45-60kg
99-132lbs

NO SCREW

STAINLESS 304 STEEL

ESR-6



Installation

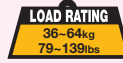
- Full extension.
- Positive stop.
- Non-handed.
- * Sold by each.
- * Mount with M4 or #8 Binding, Pan, or Truss head screws.

25.4 mm=1"

No.	Part	Material
①	Outer Rail	304 Stainless Steel
②	Inner Rail	
③	Retainer	
④	Intermediate Member	
⑤	Balls	

Item No.	Slide Length	Travel Length	A	B	C	D	# of Holes Outer Rail	Load Rating (kg/pair)	Weight (g)	Box (pcs)
ESR-6-12	304.8 (12")	326 (12-27/32")	-	149.2	260.3	273	7	60 (132 lbs)	610	16
ESR-6-14	355.6 (14")	377 (14-27/32")	-	200	311.1	323.8		59 (130 lbs)	710	
ESR-6-16	406.4 (16")	428 (16-27/32")	-	250.8	361.9	374.6		57 (126 lbs)	810	
ESR-6-18	457.2 (18")	479 (18-55/64")	212.7	301.6	412.7	425.4	8	56 (123 lbs)	920	
ESR-6-20	508 (20")	529 (20-53/64")	238.1	352.4	463.5	476.2		53 (117 lbs)	980	
ESR-6-22	558.8 (22")	580 (22-27/32")	263.5	403.2	514.3	527		51 (112 lbs)	1120	
ESR-6-24	609.6 (24")	631 (24-27/32")	288.9	454	565.1	577.8		49 (108 lbs)	1230	
ESR-6-26	660.4 (26")	682 (26-26/32")	314.3	504.8	615.9	628.6		47 (104 lbs)	1330	
ESR-6-28	711.2 (28")	732 (28-13/16")	339.7	555.6	666.7	679.4		45 (99 lbs)	1440	

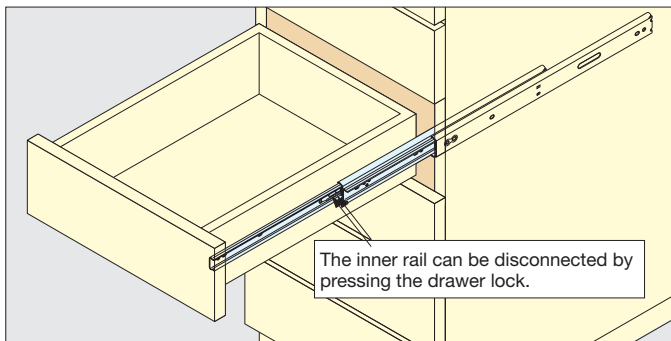
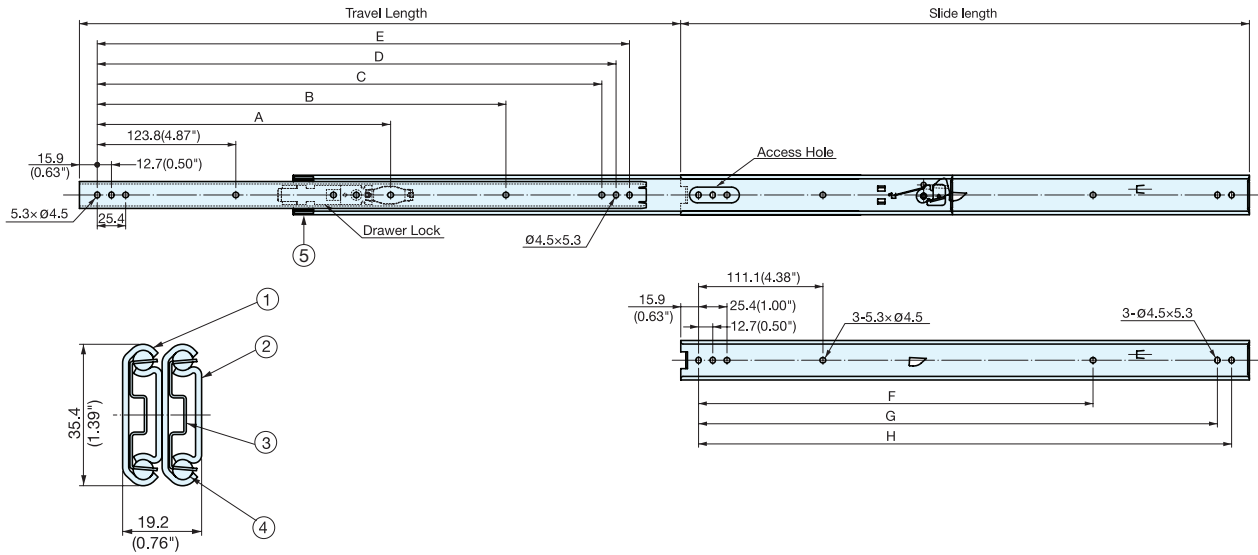
FULL EXTENSION SLIDE



ESR-7

DRAWER SLIDES

STAINLESS STEEL SLIDES



Installation

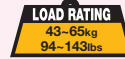
- Full extension.
- Front disconnect.
- Positive lock.
- Non-handed.
- * Sold by each.
- * Mount with M4 or #8 Binding, Pan, or Truss head screws.

25.4 mm=1"

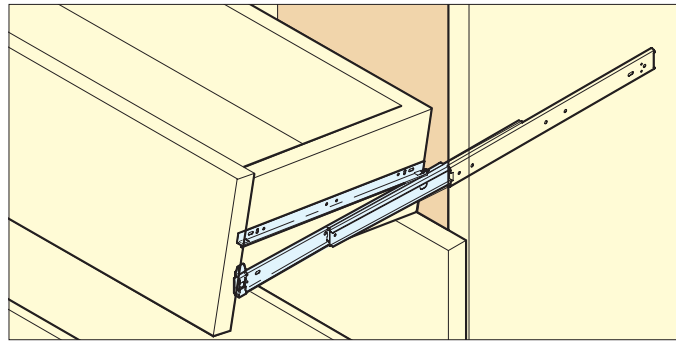
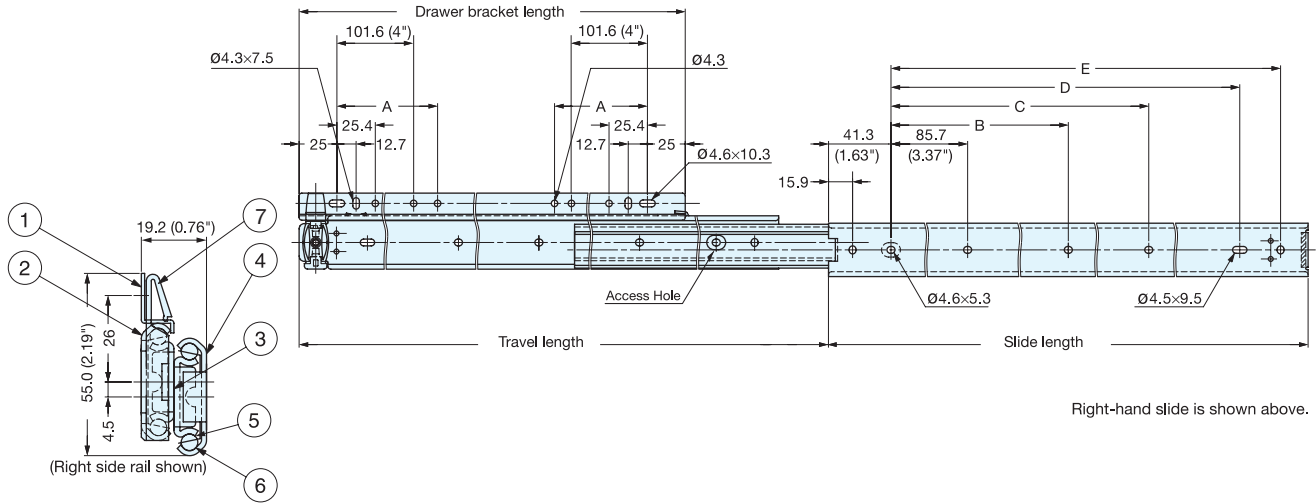
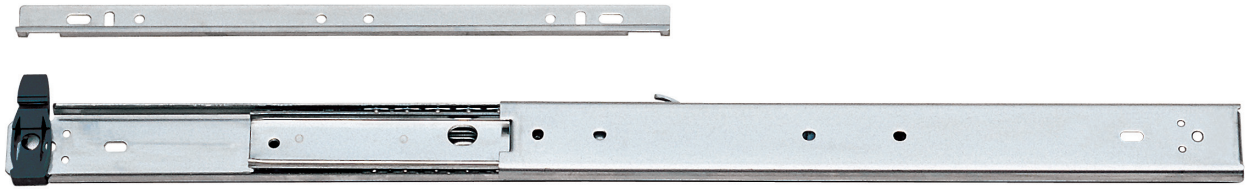
No.	Part	Material
①	Outer Rail	304 Stainless Steel
②	Inner Rail	
③	Retainer	
④	Balls	
⑤	Guide Block	Polycetal

Item No.	Slide Length	Travel Length	A	B	C	D	E	F	G	H	# of Holes Inner Rail	# of Holes Outer Rail	Load Rating (kg/pair)	Weight (g)	Box (pcs)
ESR-7-12	304.8 (12")	336 (13-7/32")	-	-	-	260.3	273	-	260.3	273	5	6	64 (139 lbs)	640	16
ESR-7-14	355.6 (14")	386.8 (15-7/32")	-	-	-	311.1	323.8	-	311.1	323.8	5	6	60 (131 lbs)	740	
ESR-7-16	406.4 (16")	437.6 (17-7/32")	-	-	349.2	361.9	374.6	250.8	361.9	374.6	6	6	57 (124 lbs)	840	
ESR-7-18	457.2 (18")	488.4 (19-7/32")	212.7	-	400	412.7	425.4	301.6	412.7	425.4	7	6	53 (115 lbs)	950	
ESR-7-20	508 (20")	539.2 (21-7/32")	238.1	-	450.8	463.5	476.2	352.4	463.5	476.2	7	6	49 (106 lbs)	1030	
ESR-7-22	558.8 (22")	590 (23-7/32")	263.5	415.9	501.6	514.3	527	403.2	514.3	527	8	7	45 (99 lbs)	1150	
ESR-7-24	609.6 (24")	640.8 (25-7/32")	288.9	466.7	552.4	565.1	577.8	454	565.1	577.8	8	7	42 (92 lbs)	1280	
ESR-7-26	660.4 (26")	691.6 (27-7/32")	314.3	517.5	603.2	615.9	628.6	504.8	615.9	628.6	8	7	39 (85 lbs)	1400	
ESR-7-28	711.2 (28")	742.4 (29-7/32")	339.7	568.3	654	666.7	679.4	555.6	666.7	679.4	8	7	36 (79 lbs)	1500	

FULL EXTENSION SLIDE



ESR-3



Installation

- Handed.
- Full extension.
- Quick disconnect.
- Positive stop.
- * Sold in pairs.
- * Mount with M4 or #8 Binding, Pan, or Truss head screws.

25.4 mm=1"

No.	Part	Material
①	Drawer Bracket	304 Stainless Steel
②	Inner Rail	
③	Intermediate Member	
④	Outer Rail	
⑤	Retainer	
⑥	Balls	
⑦	Disconnect Lever	Plastic

Item No.	Slide Length	Travel Length	Drawer Bracket Length	A	B	C	D	E	# of Holes Outer Rail	Load Rating (kg/pair)	Weight (g)	Box (Pair)
ESR-3-12	304.8 (12")	348.4 (13-23/32")	273 (10-3/4")	177.8	-	123.1	218.3	245.3	6	65 (143 lbs)	680	6
ESR-3-14	355.6 (14")	399.2 (15-23/32")	273 (10-3/4")			173.9	269.1	296.1		61 (134 lbs)	780	
ESR-3-16	406.4 (16")	450 (17-23/32")	375 (14-49/64")			224.7	319.9	346.9		61 (134 lbs)	910	
ESR-3-18	457.2 (18")	500.8 (19-23/32")	375 (14-49/64")		187.3	275.5	370.7	397.7	56 (123 lbs)	1010		
ESR-3-20	508 (20")	551.6 (21-23/32")	375 (14-49/64")		212.7	326.3	421.5	448.5	52 (114 lbs)	1110		
ESR-3-22	558.8 (22")	602.4 (23-23/32")	527 (20-3/4")		238.1	377.1	472.3	499.3	52 (114 lbs)	1260		
ESR-3-24	609.6 (24")	653.2 (25-23/32")	527 (20-3/4")		263.5	427.9	523.1	550.1	48 (105 lbs)	1370		
ESR-3-26	660.4 (26")	704 (27-23/32")	575.3 (22-21/32")		288.9	478.7	573.9	600.9	43 (94 lbs)	1480		
ESR-3-28	711.2 (28")	754.8 (29-23/32")	575.3 (22-21/32")		314.3	529.5	624.7	651.7	43 (94 lbs)	1580		

FULL EXTENSION SLIDE

LOAD RATING
64-116kg
140-255lbs

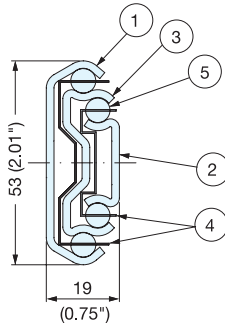
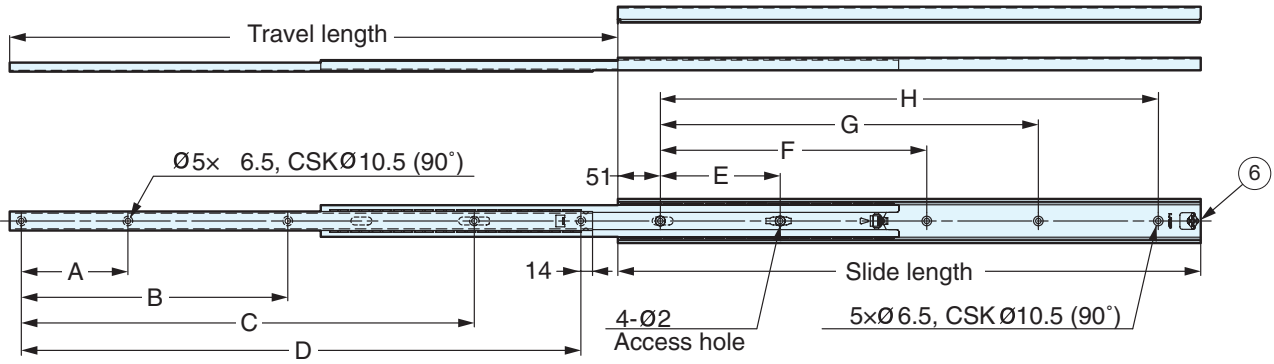
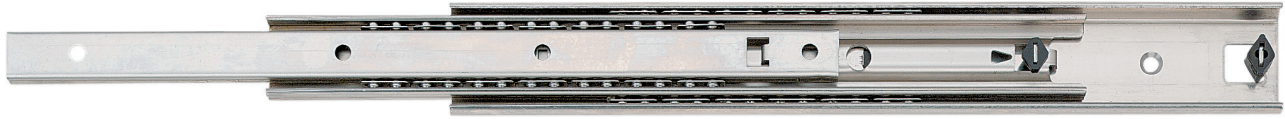
NO SCREW

STAINLESS 304 STEEL

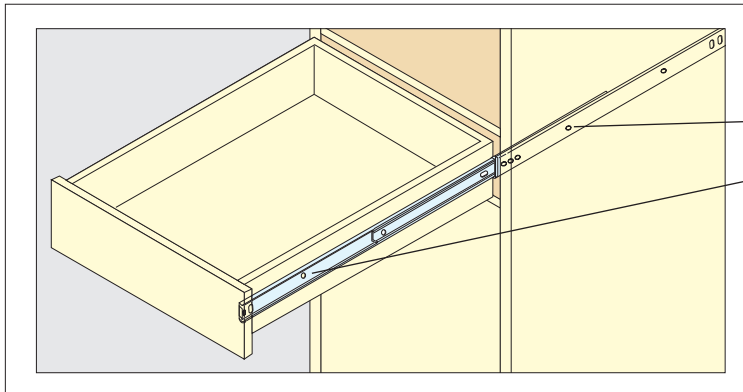
5302

DRAWER SLIDES

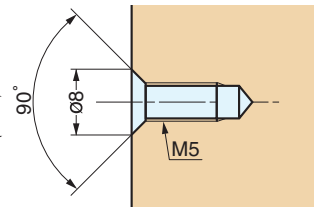
STAINLESS STEEL SLIDES



- Full extension.
- Positive stop.
- Non-handed.
- Hold-in detent.
- * Sold by each.
- * Mount with M5 Flat head screws.



Installation



25.4 mm=1"

No.	Part	Material
①	Outer Rail	304 Stainless Steel
②	Inner Rail	
③	Intermediate Member	
④	Retainer	
⑤	Balls	
⑥	Detent	Rubber

Item No.	Slide Length	Travel Length	A	B	C	D	E	F	G	H	Load Rating (kg/pair)	Weight (g)	Box (pcs)
5302-300	300 (11-13/16")	334 (13-1/8")	128	256	-	-	112	192	-	-	116 (255 lbs)	860	20
5302-350	350 (13-3/4")	384 (15-1/8")	160	320	-	-	144	240	-	-	111 (244 lbs)	1000	
5302-400	400 (15-3/4")	433 (17-1/16")	128	256	352	-	80	224	304	-	99 (218 lbs)	1140	16
5302-450	450 (17-11/16")	482 (19")	128	288	416	-	80	272	352	-	96 (211 lbs)	1280	
5302-500	500 (19-11/16")	532 (21")	128	288	448	-	112	272	384	-	92 (201 lbs)	1430	10
5302-550	550 (21-11/16")	580 (22-13/16")	192	320	512	-	112	288	448	-	86 (188 lbs)	1570	
5302-600	600 (23-5/8")	630 (24-13/16")	208	336	544	-	112	336	496	-	81 (177 lbs)	1710	
5302-650	650 (25-5/8")	677 (26-5/8")	128	288	480	608	112	272	416	544	76 (166 lbs)	1850	8
5302-700	700 (27-9/16")	728 (28-5/8")	128	336	544	672	144	304	448	592	71 (155 lbs)	2000	
5302-750	750 (29-1/2")	777 (30-5/8")	192	370	530	722	176	336	496	648	68 (149 lbs)	2140	
5302-800	800 (31-1/2")	826 (32-1/2")	224	388	548	772	192	384	576	688	64 (140 lbs)	2280	

FULL EXTENSION SLIDE

LOAD RATING
182-272kg
400-599lbs

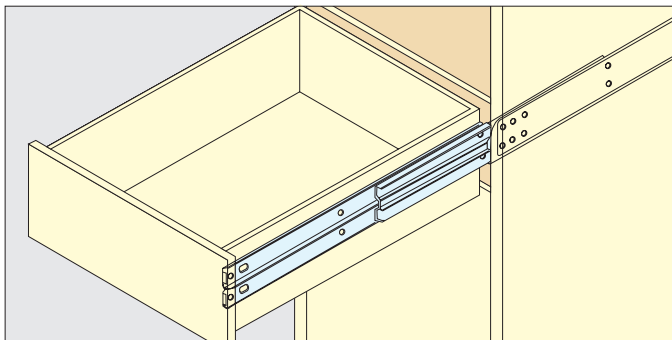
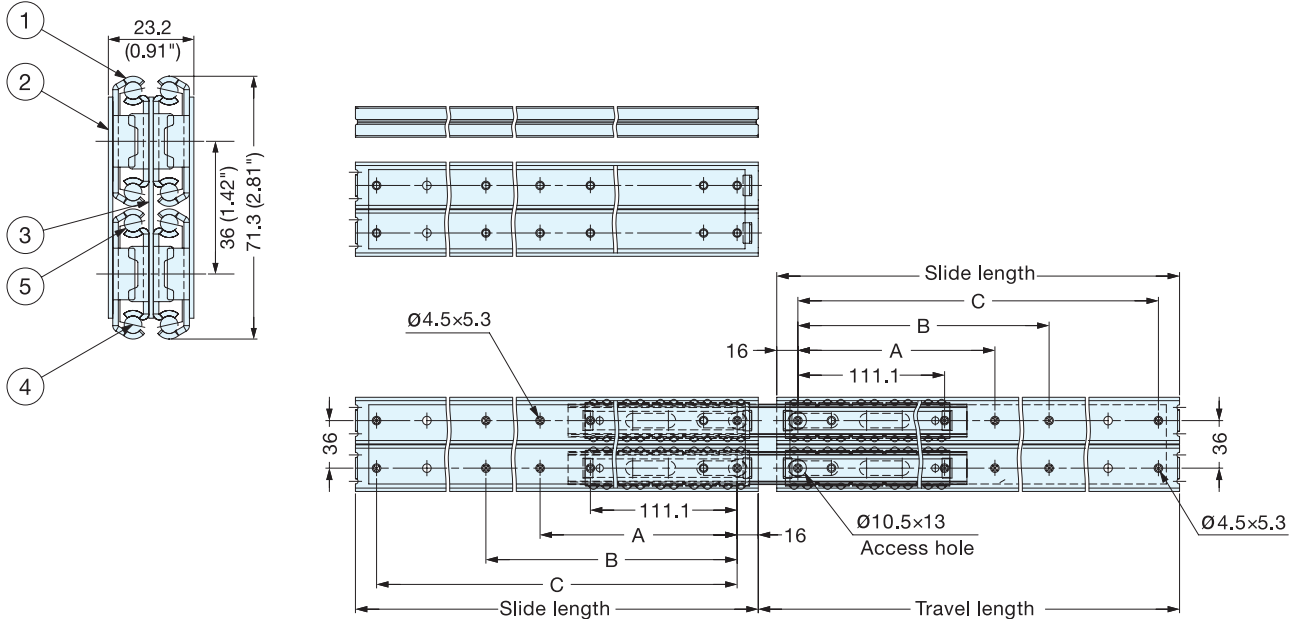
NO SCREW

STAINLESS 304 STEEL

ESR-10

DRAWER SLIDES

STAINLESS STEEL SLIDES



Installation

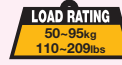
- Full extension.
- Positive stop.
- Non-handed.
- Heavy duty.
- * Sold by each.
- * Mount with M4 or #8 Binding, Pan, or Truss head screws.

25.4 mm=1"

No.	Part	Material
①	Outer Rail	304 Stainless Steel
②	Tie Plate	
③	Intermediate Member	
④	Retainer	
⑤	Balls	

Item No.	Slide Length	Travel Length	A	B	C	# of Holes	Load Rating (kg/pair)	Weight (g)	Box (pcs)
ESR-10-12	305 (12")	319 (12-9/16")	-	149.2	273	16	272 (599 lbs)	1670	8
ESR-10-14	355.8 (14")	369.8 (14-9/16")		200	323.8		268 (590 lbs)	2000	
ESR-10-16	406.6 (16")	420.6 (16-9/16")		250.8	374.6		259 (570 lbs)	2340	
ESR-10-18	457.4 (18")	471.4 (18-9/16")	212.7	301.6	425.4	20	250 (550 lbs)	2500	6
ESR-10-20	508.2 (20")	522.2 (20-9/16")	238.1	352.4	476.2		241 (530 lbs)	2840	
ESR-10-22	559 (22")	573 (22-9/16")	263.5	403.2	527		229 (504 lbs)	3250	
ESR-10-24	609.8 (24")	623.8 (24-9/16")	288.9	454	577.8		216 (475 lbs)	3500	
ESR-10-26	660.6 (26")	674.6 (26-9/16")	314.3	504.8	628.6	20	200 (440 lbs)	3840	4
ESR-10-28	711.4 (28")	725.4 (28-9/16")	339.7	555.6	679.4		182 (400 lbs)	4170	

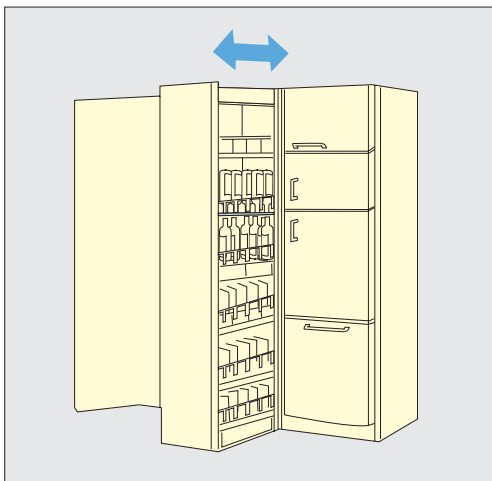
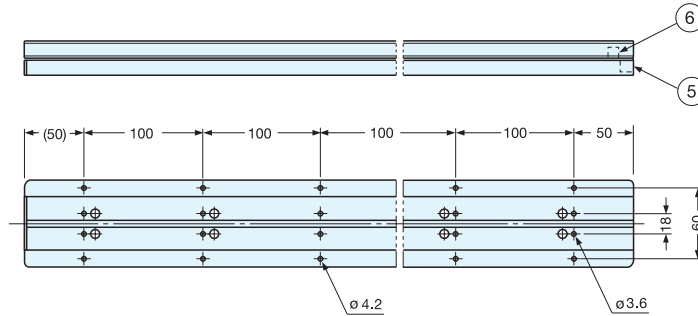
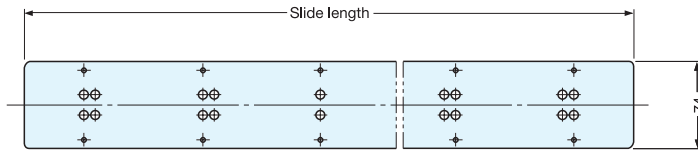
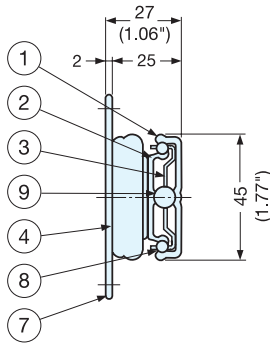
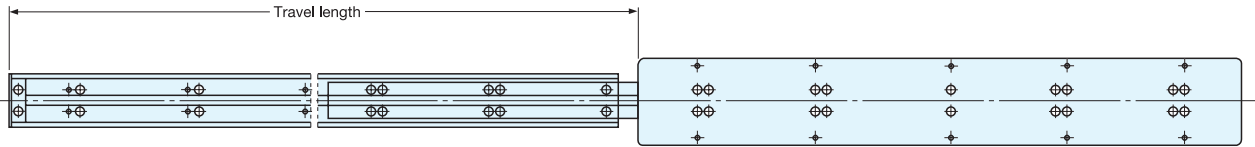
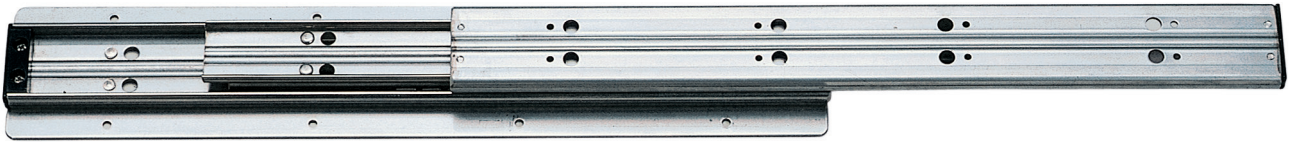
FULL EXTENSION SLIDE



TSS3

DRAWER SLIDES

FULL EXTENSION SLIDES



Installation

- Full extension.
- Positive stop.
- Non-handed.
- Heavy duty.
- * Sold by each.

25.4 mm=1"

No.	Part	Material
①	Outer Rail	304 Stainless Steel
②	Inner Rail	
③	Retainer	
④	End Stopper	Polyamide
⑤	Outer Guide	Polyacetal
⑥	Inner Guide	
⑦	Plate	304 Stainless Steel
⑧	Large Balls	Steel
⑨	Small Balls	

Item No.	Slide Length	Travel Length	# of Holes	Load Rating (kg/pair)	Weight (g)	Box (pcs)
TSS3- 300	300 (11-13/16")	336 (13-7/32")	6	95 (209 lbs)	1380	4
TSS3- 400	400 (15-3/4")	436 (17-5/32")	8	90 (198 lbs)	1860	
TSS3- 500	500 (19-11/16")	536 (21-3/32")	10	85 (187 lbs)	2390	
TSS3- 600	600 (23-5/8")	636 (25-1/32")	12	80 (176 lbs)	2880	
TSS3- 800	800 (31-1/2")	836 (32-29/32")	16	65 (143 lbs)	3790	
TSS3-1000	1000 (39-3/8")	1036(40-25/32")	20	50 (110 lbs)	4710	

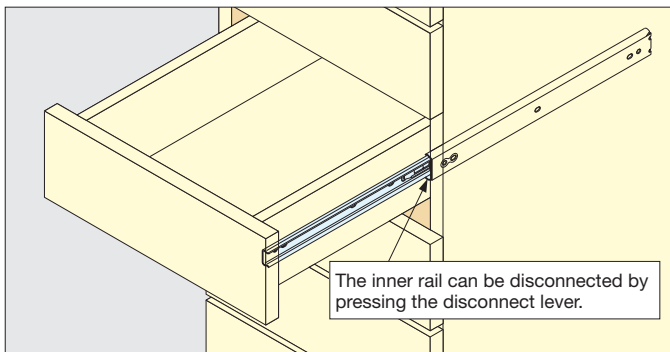
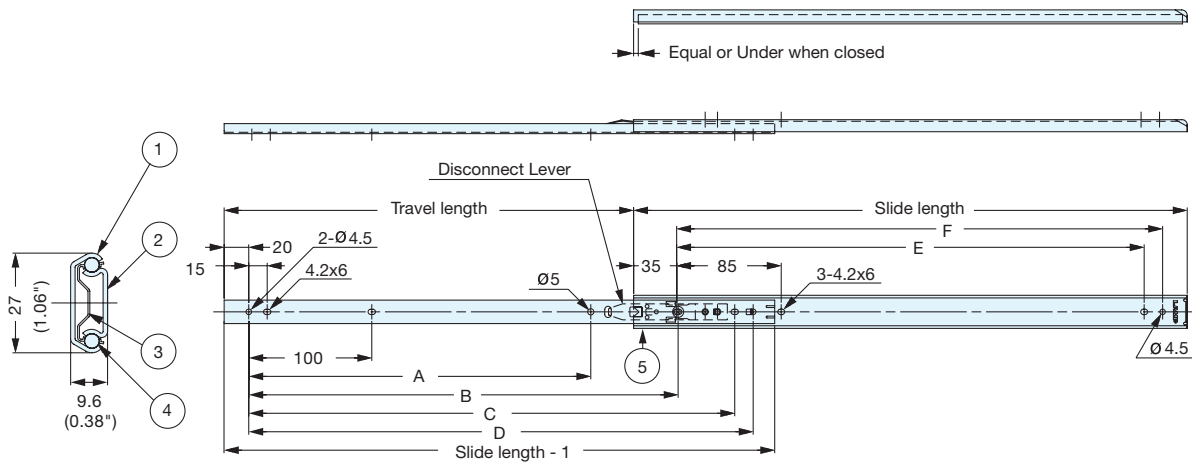
3/4 EXTENSION SLIDE

LOAD RATING
14-18kg
30-39lbs

NO SCREW

STAINLESS 304 STEEL

272SL



Installation

- 3/4 extension.
- Front disconnect.
- Positive stop.
- Non-handed.
- * Sold by each.
- * Mount with M4 or #8 Binding, Pan, or Truss head screws.

25.4 mm=1"

No.	Part	Material
①	Outer Rail	304 Stainless Steel
②	Inner Rail	
③	Retainer	
④	Balls	
⑤	Guide Block	Plastic

Item No.	Slide Length	Travel Length	A	B	C	D	E	F	Load Rating (kg/pair)	Weight (g)	Box (pcs)
272SL-300	300 (11-13/16")	220 (8-43/64")	165	236	-	-	230	245	18 (39 lbs)	-	20
272SL-350	350 (13-25/32")	261 (10-9/32")	206	277	-	-	280	295	17 (37 lbs)		
272SL-400	400 (15-3/4")	301 (11-55/64")	246	317	-	362.5	330	345	16 (35 lbs)		
272SL-450	450 (17-23/32")	333 (13-7/64")	278	349	395	410	380	395	15 (33 lbs)		
272SL-500	500 (19-11/16")	373 (14-11/16")	318	389	445	460	430	445	14 (30 lbs)		

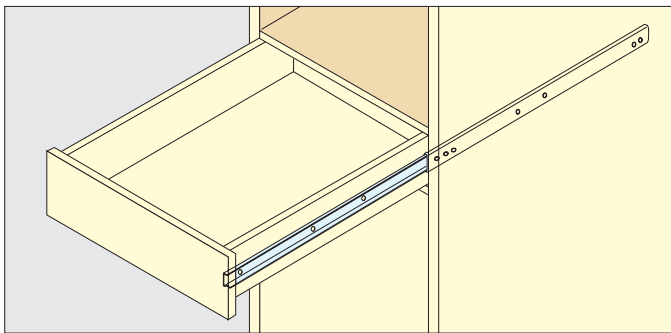
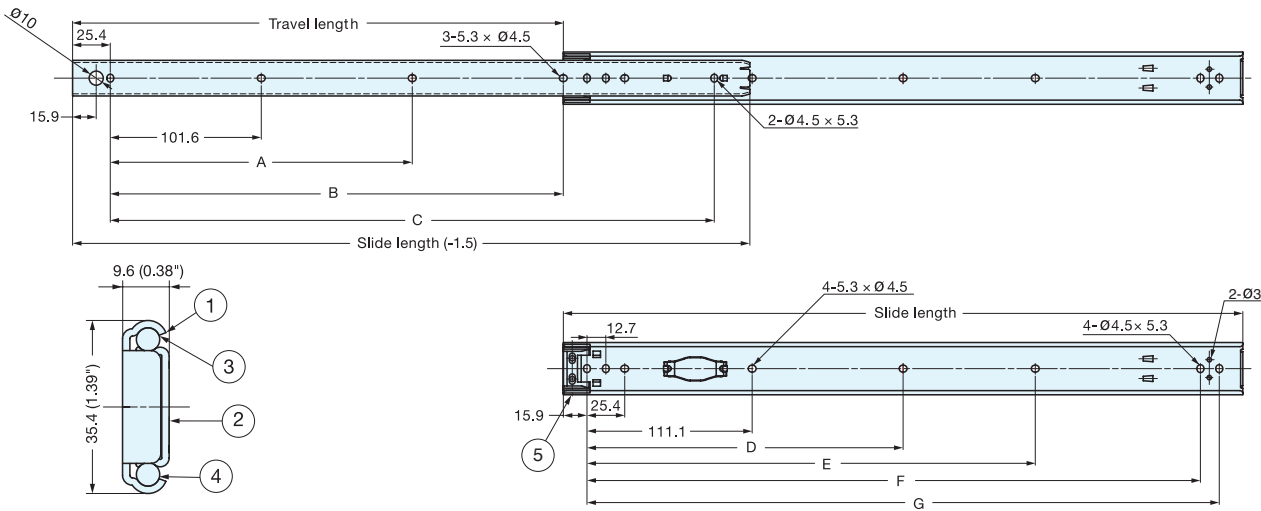
3/4 EXTENSION SLIDE



ESR-1

DRAWER SLIDES

STAINLESS STEEL SLIDES



Installation

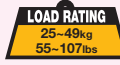
- 3/4 extension.
- Front disconnect.
- Friction brake stop.
- Non-handed.
- * Sold by each.
- * Mount with M4 or #8 Binding, Pan, or Truss head screws.

25.4 mm=1"

No.	Part	Material
①	Outer Rail	304 Stainless Steel
②	Inner Rail	
③	Retainer	
④	Balls	
⑤	Guide Block	Polycetal

Item No.	Slide Length	Travel Length	A	B	C	D	E	F	G	# of Holes		Load Rating (kg/pair)	Weight (g)	Box (pcs)
										Inner Rail	Outer Rail			
ESR-1-12	304.8 (12")	228.6 (9")	-	152.4	254	-	149.2	260.3	273	4	7	49 (107 lbs)	300	30
ESR-1-14	355.6 (14")	279.4 (11")	-	203.2	304.8	-	200	311.1	323.8	4	7	47 (103 lbs)	360	
ESR-1-16	406.4 (16")	304.8 (12")	-	254	355.6	-	250.8	361.9	374.6	4	7	43 (94 lbs)	420	
ESR-1-18	457.2 (18")	330.2 (13")	203.2	304.8	406.4	212.7	301.6	412.7	425.4	5	8	41 (90 lbs)	460	
ESR-1-20	508 (20")	381 (15")	228.6	355.6	457.2	238.1	352.4	463.5	476.2			37 (81 lbs)	490	
ESR-1-22	558.8 (22")	406.4 (16")	254	406.4	508	263.5	403.2	514.3	527			34 (74 lbs)	560	
ESR-1-24	609.6 (24")	432.8 (17")	279.4	457.2	558.8	288.9	454	565.1	577.8			30 (66 lbs)	590	
ESR-1-26	660.4 (26")	482.6 (19")	304.8	508	609.6	314.3	504.8	615.9	628.6			27 (59 lbs)	660	
ESR-1-28	711.2 (28")	508 (20")	330.2	558.8	660.4	339.7	555.6	666.7	679.4	25 (55 lbs)	690			

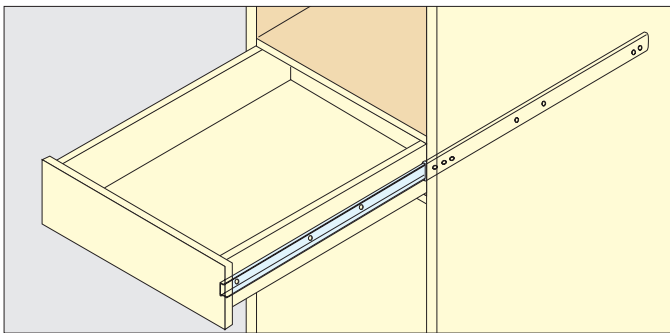
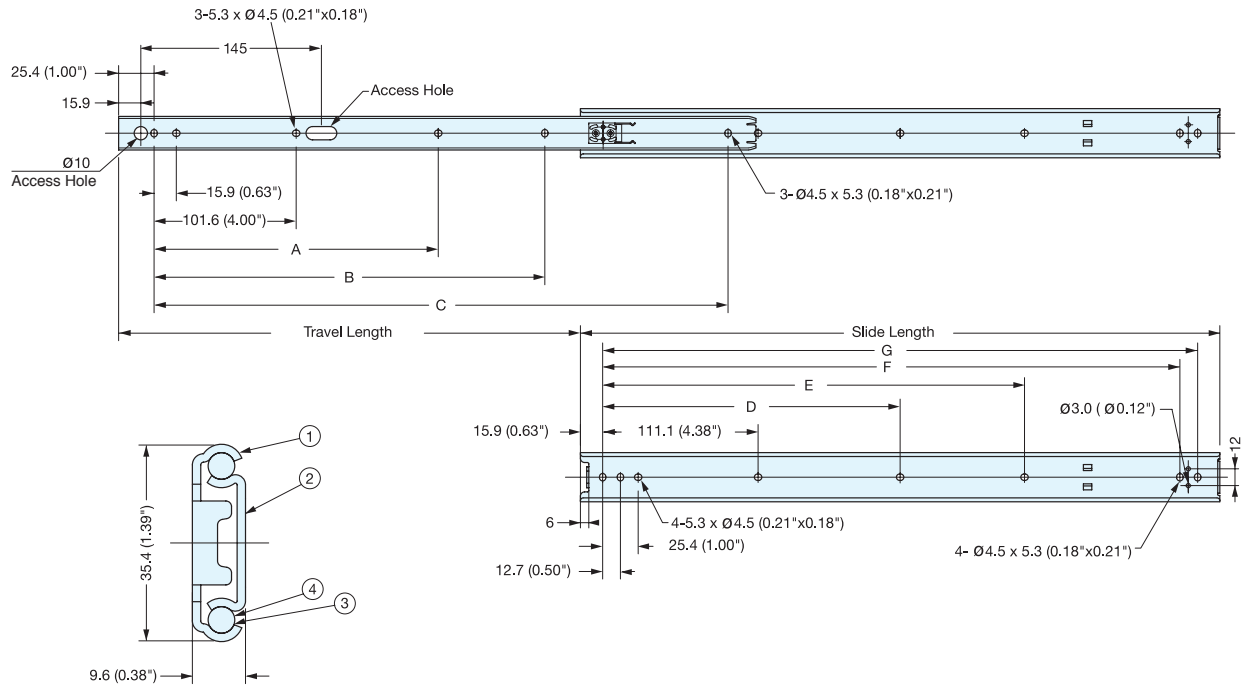
3/4 EXTENSION SLIDE



ESR-13

DRAWER SLIDES

STAINLESS STEEL SLIDES



Installation

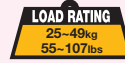
- 3/4 extension.
- Positive stop.
- Positive catch.
- Non-handed.
- * Sold by each.
- * Mount with M4 or #8 Binding, Pan, or Truss head screws.

25.4 mm=1"

No.	Part	Material
①	Outer Rail	304 Stainless Steel
②	Inner Rail	
③	Retainer	
④	Balls	

Item No.	Slide Length	Travel Length	A	B	C	D	E	F	G	# of Holes		Load Rating (kg/pair)	Weight (g)	Box (pcs)
										Inner Rail	Outer Rail			
ESR-13-12	304.8 (12")	228.6 (9")	-	177.8	258	-	149.2	260.3	273	4	7	49 (107 lbs)	330	30
ESR-13-14	355.6 (14")	279.4 (11")	-	228.6	308.8	-	200	311.1	323.8	4	7	47 (103 lbs)	380	
ESR-13-16	406.4 (16")	304.8 (12")	-	254	359.6	-	250.8	361.9	374.6	4	7	43 (94 lbs)	420	
ESR-13-18	457.2 (18")	330.2 (13")	203.2	279.4	410.4	212.7	301.6	412.7	425.4	5	8	41 (90 lbs)	490	
ESR-13-20	508 (20")	381 (15")	228.6	330.2	461.2	238.1	352.4	463.5	476.2			37 (81 lbs)	540	
ESR-13-22	558.8 (22")	406.4 (16")	254	355.6	512	263.5	403.2	514.3	527			34 (74 lbs)	590	
ESR-13-24	609.6 (24")	431.8 (17")	254	381	562.8	288.9	454	565.1	577.8			30 (66 lbs)	630	
ESR-13-26	660.4 (26")	482.6 (19")	254	431.8	613.6	314.3	504.8	615.9	628.6			27 (59 lbs)	680	
ESR-13-28	711.2 (28")	508 (20")	279.4	457.2	664.4	339.7	555.6	666.7	679.4	25 (55 lbs)	750			

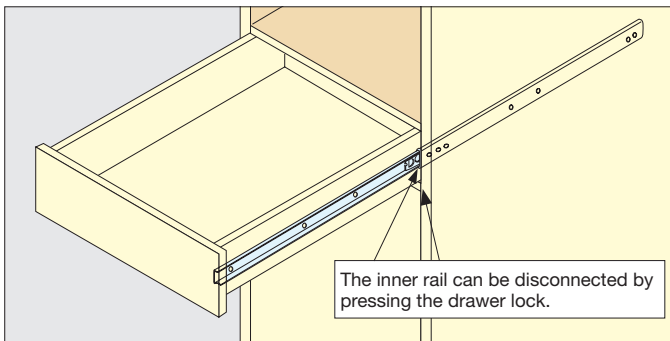
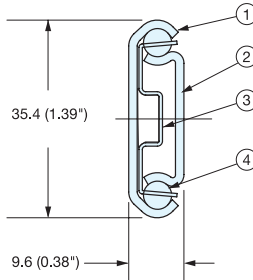
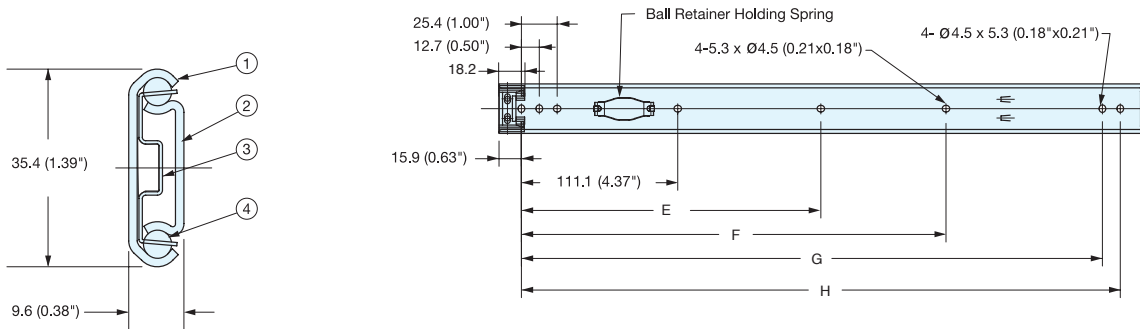
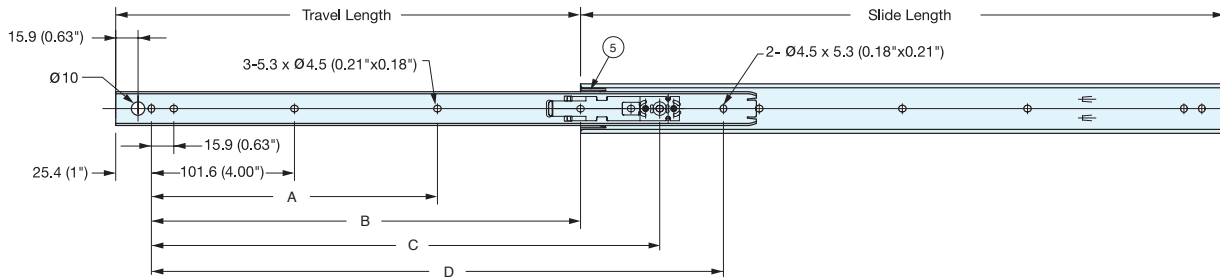
3/4 EXTENSION SLIDE



ESR-8

DRAWER SLIDES

STAINLESS STEEL SLIDES



Installation

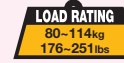
- 3/4 extension.
- Positive lock.
- Front disconnect.
- Non-handed.
- * Sold by each.
- * Mount with M4 or #8 Binding, Pan, or Truss head screws.

25.4 mm=1"

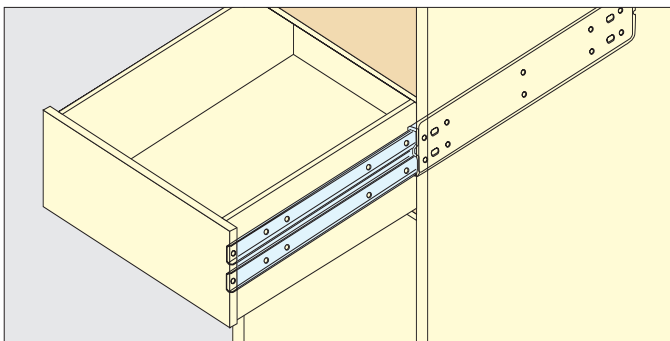
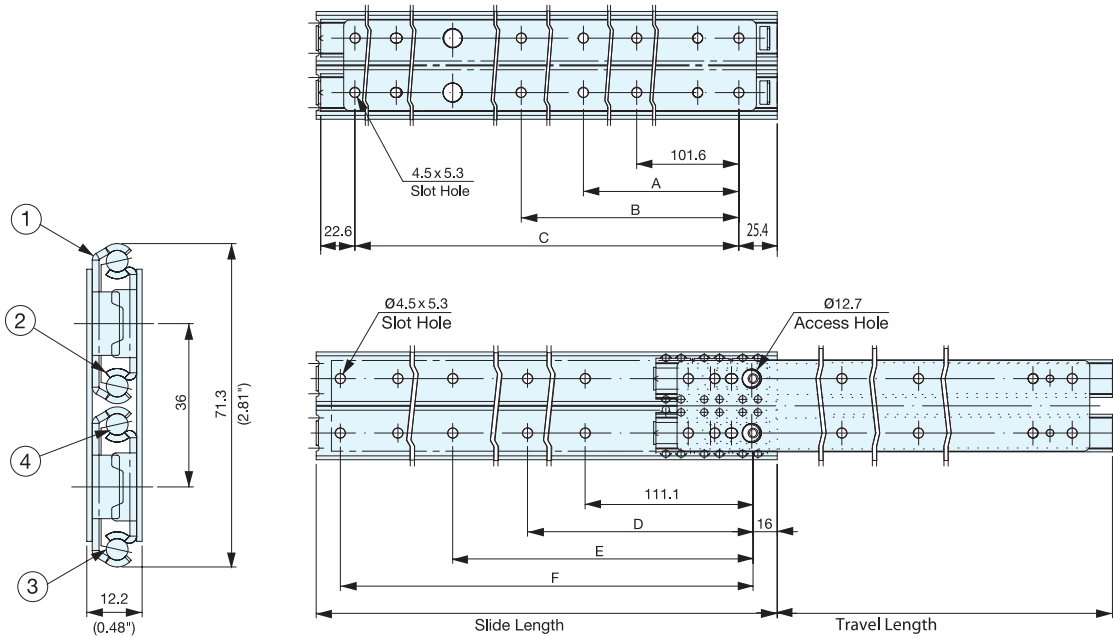
No.	Part	Material
①	Outer Rail	304 Stainless Steel
②	Inner Rail	
③	Retainer	
④	Balls	
⑤	Guide Block	Polyacetal

Item No.	Slide Length	Travel Length	A	B	C	D	E	F	G	H	# of Holes		Load Rating (kg/pair)	Weight (g)	Box (pcs)
											Inner Rail	Outer Rail			
ESR-8-12	304.8 (12")	228.6 (9")	-	152.4	259.5	-	-	149.2	260.3	273	4	7	49 (107 lbs)	310	20
ESR-8-14	355.6 (14")	279.4 (11")	-	203.2	310.3	-	-	200	311.1	323.8	4	7	47 (103 lbs)	370	
ESR-8-16	406.4 (16")	304.8 (12")	-	203.2	335.7	355.6	-	250.8	361.9	374.6	4	7	43 (94 lbs)	420	
ESR-8-18	457.2 (18")	330.2 (13")	203.2	-	366.1	406.4	212.7	301.6	412.7	425.4	5	8	41 (90 lbs)	470	
ESR-8-20	508 (20")	381 (15")	228.6	-	411.9	457.2	238.1	352.4	463.5	476.2			37 (81 lbs)	500	
ESR-8-22	558.8 (22")	406.4 (16")	254	-	437.3	508	263.5	403.2	514.3	527			34 (74 lbs)	550	
ESR-8-24	609.6 (24")	432.8 (17-1/32")	279.4	-	463.7	558.8	288.9	454	565.1	577.8			30 (66 lbs)	600	
ESR-8-26	660.4 (26")	482.6 (19")	304.8	-	513.5	609.6	314.3	504.8	615.9	628.6			27 (59 lbs)	670	
ESR-8-28	711.2 (28")	508 (20")	330.2	-	558.8	660.4	339.7	555.6	666.7	679.4	25 (55 lbs)	680			

3/4 EXTENSION SLIDE



ESR-5



Installation

- 3/4 extension.
- Positive stop.
- Non-handed.
- Heavy duty.
- * Sold by each.
- * Mount with M4 or #8 Binding, Pan, or Truss head screws.

25.4 mm=1"

No.	Part	Material
①	Outer Rail	304 Stainless Steel
②	Inner Rail	
③	Retainer	
④	Balls	

Item No.	Slide Length	Travel Length	A	B	C	D	E	F	# of Holes		Load Rating (kg/pair)	Weight (g)	Box (pcs)
									Inner Rail	Outer Rail			
ESR-5-12	305 (12")	221.8 (8-47/64")	-	152.4	254	-	149.2	273	6	8	114 (251 lbs)	920	12
ESR-5-14	355.8 (14")	259.9 (10-15/64")	-	203.2	304.8	-	200	323.8			109 (240 lbs)	1090	
ESR-5-16	406.6 (16")	298 (11-47/64")	-	254	355.6	-	250.8	374.6			104 (229 lbs)	1250	
ESR-5-18	457.4 (18")	348.8 (13-47/64")	203.2	304.8	406.4	212.7	301.6	425.4	6	10	102 (224 lbs)	1500	
ESR-5-20	508.2 (20")	361.5 (14-15/64")	228.6	355.6	457.2	238.1	352.4	476.2			99 (218 lbs)	1670	
ESR-5-22	559 (22")	425 (16-47/64")	254	406.4	508	263.5	403.2	527			94 (207 lbs)	1750	
ESR-5-24	609.8 (24")	450.4 (17-47/64")	279.4	457.2	558.8	288.9	454	577.8	6	10	89 (196 lbs)	1920	
ESR-5-26	660.6 (26")	463.1 (18-15/64")	304.8	508	609.6	314.3	504.8	628.6			86 (189 lbs)	2090	
ESR-5-28	711.4 (28")	501.2 (19-47/64")	330.2	558.8	660.4	339.7	555.6	679.4			80 (176 lbs)	2250	

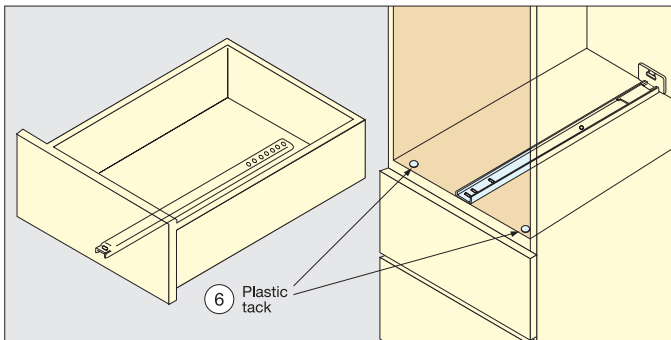
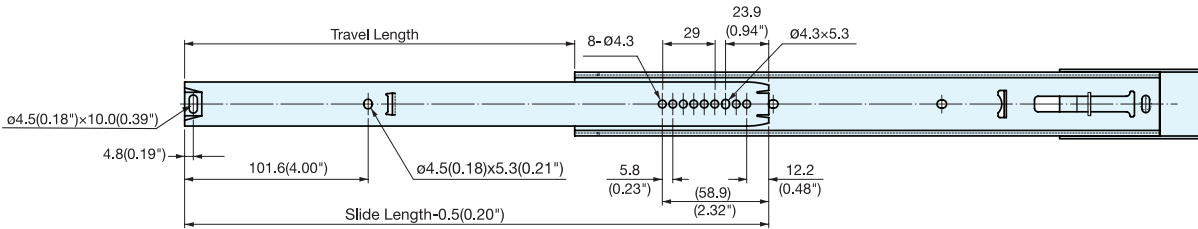
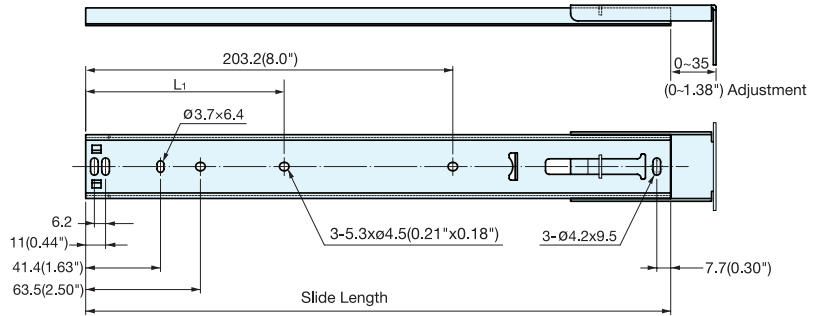
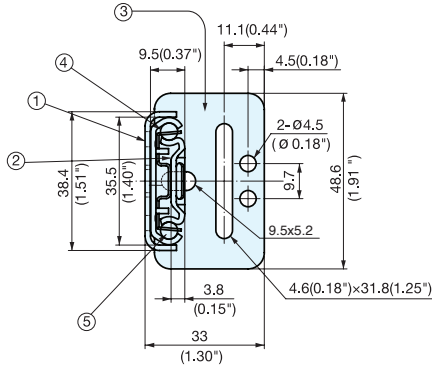
3/4 EXTENSION SLIDE



ESR-2

DRAWER SLIDES

STAINLESS STEEL SLIDES



Installation

- Under carriage mounting with bracket.
- 3/4 extension.
- Front disconnect.
- Friction brake stop.
- * Sold by each.
- * Mount with M4 or #8 Binding, Pan, or Truss head screws.
- * Two plastic tacks supplied per slide.

25.4 mm=1"

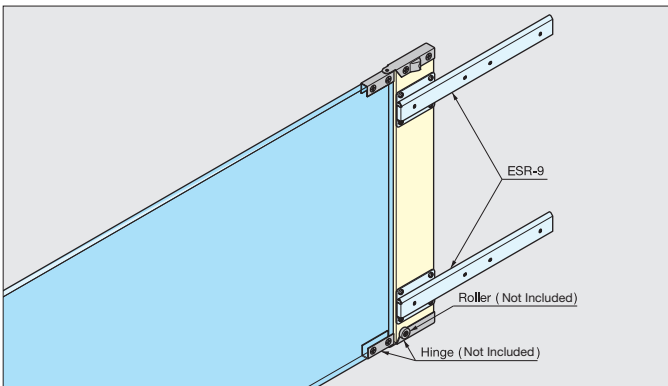
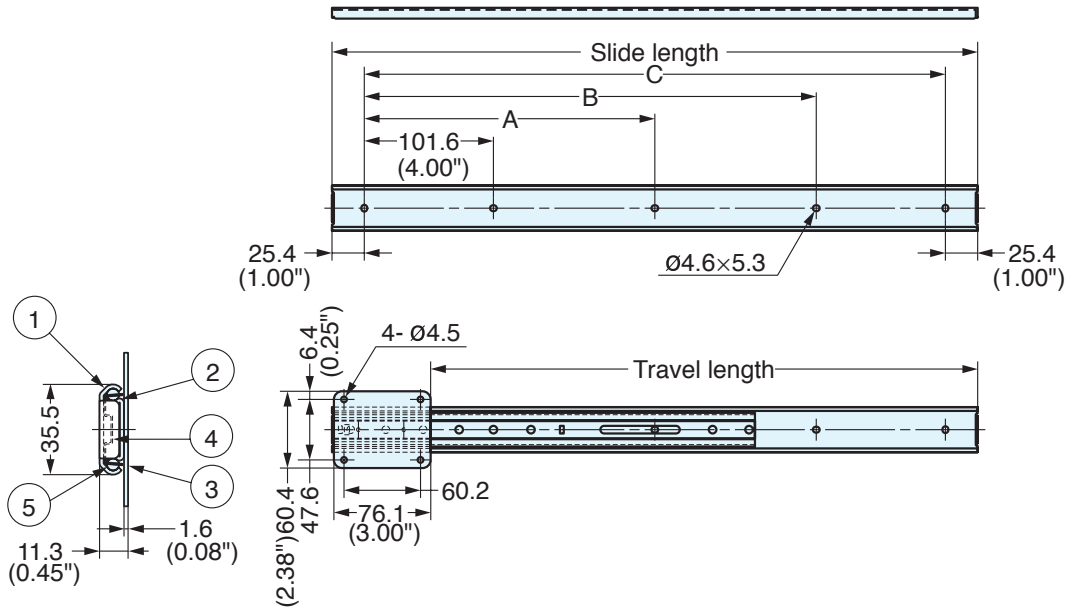
No.	Part	Material
①	Outer Rail	304 Stainless Steel
②	Inner Rail	
③	Bracket	
④	Retainer	
⑤	Balls	
⑥	Plastic Tack	Polyamide

Item No.	Slide Length	Travel Length	L ₁	# of Holes		Load Rating (kg/pc)	Weight (g)	Box (pcs)
				Inner Rail	Outer Rail			
ESR-2-12	323.8 (12-3/4")	215.9 (8-1/2")	109.9	11	7	8 (18 lbs)	340	20
ESR-2-14	374.6 (14-3/4")	266.7 (10-1/2")	160.7			7.5 (17 lbs)	400	
ESR-2-16	425.4 (16-3/4")	304.8 (12")	-		6	7 (15 lbs)	450	
ESR-2-18	476.2 (18-3/4")	317.5 (12-1/2")	262.3			490		
ESR-2-20	527 (20-3/4")	368.3 (14-1/2")	313.1		7	6.5 (14 lbs)	530	
ESR-2-22	577.8 (22-3/4")	419.1 (16-1/2")	363.9			6 (13 lbs)	630	
ESR-2-24	628.6 (24-3/4")	444.5 (17-1/2")	414.7			5.5 (12 lbs)	690	
ESR-2-26	679.4 (26-3/4")	495.3 (19-1/2")	465.5			5 (11 lbs)	720	

LINEAR BALL BEARING GUIDE



ESR-9



Installation

- Non-handed.
- Mounting plate attached.
- * Sold by each.
- * Mount with M4 or #8 Binding, Pan, or Truss head screws.

25.4 mm=1"

No.	Part	Material
①	Outer Rail	304 Stainless Steel
②	Inner Rail	
③	Mounting Plate	
④	Retainer	
⑤	Balls	

Item No.	Slide Length	Travel Length	A	B	C	# of Holes Outer Rail	Load Rating (kg/pair)	Weight (g)	Box (pcs)
ESR-9-12	304.8 (12")	225 (8-7/8")	-	152.4	254	4	5 (11 lbs)	280	20
ESR-9-14	355.6 (14")	276 (10-7/8")	-	203.2	304.8			310	
ESR-9-16	406.4 (16")	327 (12-7/8")	-	254	355.6			342	
ESR-9-18	457.2 (18")	378 (14-7/8")	203.2	304.8	406.4	5		373	
ESR-9-20	508 (20")	428 (16-7/8")	228.6	355.6	457.2			404	
ESR-9-22	558.8 (22")	479 (18-7/8")	254	406.4	508			441	
ESR-9-24	609.6 (24")	530 (20-7/8")	279.4	457.2	558.8			472	
ESR-9-26	660.4 (26")	581 (22-7/8")	304.8	508	609.6			503	
ESR-9-28	711.2 (28")	632 (24-7/8")	330.2	558.8	660.4	536			

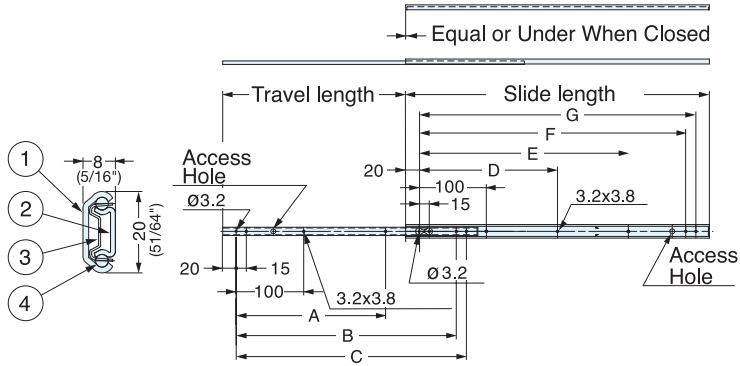
3/4 EXTENSION SLIDE (Low Profile)



ESR-2021



- 3/4 extension.
- Positive stop.
- Non-handed.
- Requires #4 or M3 pan head screw.
- * Sold by each.



No.	Part Name	Material	Finish/Color
①	Outer Rail	304 Stainless Steel	Plain
②	Inner Rail		
③	Retainer		-
④	Balls		

Item No.	Slide Length	Travel Length	A	B	C	D	E	F	G	Load Rating (kg/pair)	Box (pcs)
ESR-2021-200	200 (7-7/8")	134 (5-9/32")	-	145	160	-	-	145	160	13 (28 lbs)	100
ESR-2021-250	250 (9-27/32")	184 (7-15/64")	150	195	210		-	195	210	15 (33 lbs)	
ESR-2021-300	300 (11-13/16")	224 (8-13/16")	190	245	260		160	245	260	16 (35 lbs)	
ESR-2021-350	350 (13-25/32")	244 (9-39/64")	225	295	310		210	295	310	15 (33 lbs)	
ESR-2021-400	400 (15-3/4")	294 (11-37/64")	265	345	360	260	345	360	15 (33 lbs)		
ESR-2021-450	450 (17-23/32")	334 (13-9/64")	300	395	410	205	310	395	410	13 (28 lbs)	
ESR-2021-500	500 (19-11/16")	384 (15-7/64")	337	445	460	230	360	445	460	11 (24 lbs)	

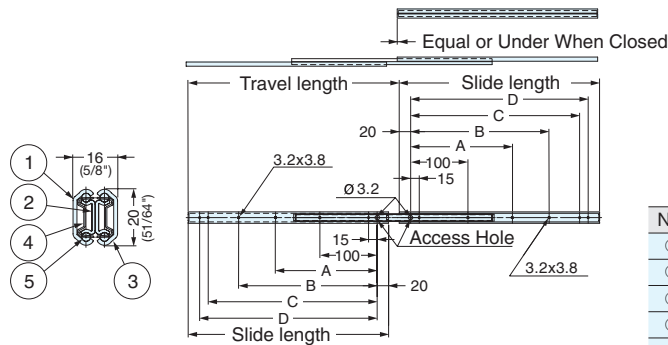
FULL EXTENSION SLIDE (Low Profile)



ESR-2031



- Full extension.
- Positive stop.
- Non-handed.
- Requires #4 or M3 pan head screw.
- * Sold by each.



No.	Part Name	Material	Finish/Color
①	Outer Rail	304 Stainless Steel	Plain
②	Intermediate Member		
③	Inner Rail		-
④	Retainer		
⑤	Balls		

Item No.	Slide Length	Travel Length	A	B	C	D	Load Rating (kg/pair)	Weight (g/pair)	Box (pcs)	
ESR-2031-200	200 (7-7/8")	229 (9-1/64")	-	-	145	160	17 (37 lbs)	400	96	
ESR-2031-250	250 (9-27/32")	269 (10-19/32")			195	210		500		
ESR-2031-300	300 (11-13/16")	329 (12-61/64")			160	245		260		600
ESR-2031-350	350 (13-25/32")	369 (14-17/32")			210	295		310		700
ESR-2031-400	400 (15-3/4")	429 (16-57/64")	260	345	360	800				
ESR-2031-450	450 (17-23/32")	469 (18-15/32")	205	310	395	410	16 (35 lbs)	900		
ESR-2031-500	500 (19-11/16")	529 (20-53/64")	230	360	445	460	13 (28 lbs)	1000		

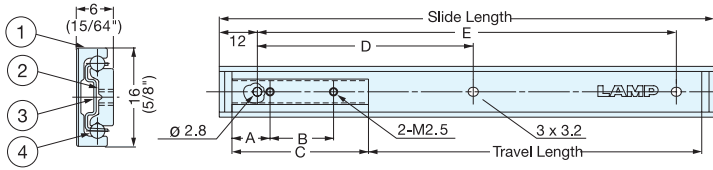
ALUMINUM MINI GUIDE



ARL2-16



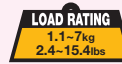
- Thin profile for various applications.
- Light-weight aluminum body.
- * Sold by each.



No.	Part Name	Material	Finish
①	Outer Rail	Aluminum	Anodized
②	Inner Rail		
③	Retainer	Steel	Plain
④	Balls		-

Item No.	Slide Length	Travel Length	A	B	C	D	E	Load Rating (kg/pair)		Weight (g/piece)	Box (pcs)
ARL2-16- 70	70 (2-3/4")	(30) (1-11/64")	5	18	28	-	46	2 (4.4 lbs)	0.8 (1.7 lbs)	13.5	100
ARL2-16-100	100 (3-15/16")	(52) (2-3/64")	10	19	39	38	76	5 (11 lbs)	1.8 (4 lbs)	18.0	
ARL2-16-150	150 (5-29/32")	(99) (3-57/64")				63	126			23.5	

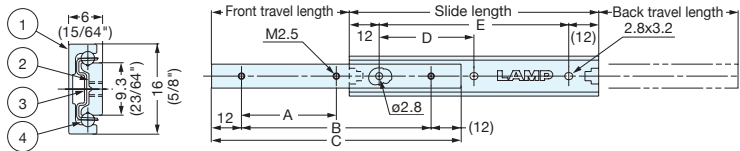
ALUMINUM MINI SLIDE (2-WAY)



ARW2-16



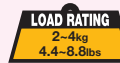
- Two-way travel.
- Thin profile for various applications.
- Light-weight aluminum body.
- Designed without positive stop for ease of assembly.
- * Please add secondary stopper if necessary.
- * Sold by each.



No.	Part Name	Material	Finish
①	Outer Rail	Aluminum	Anodized
②	Inner Rail		
③	Retainer	Steel	Plain
④	Balls		-

Item No.	Slide Length	Front Travel Length	Back Travel Length	A	B	C	D	E	Load Rating (kg/pair)		Weight (g/piece)	Box (pcs)
ARW2-16- 70	70 (2-3/4")	(32) (1-1/4")	(32) (1-1/4")	-	46	70	-	46	3 (6.6 lbs)	1.1 (2.4 lbs)	15.5	100
ARW2-16-100	100 (3-15/16")	(40) (1-37/64")	(40) (1-37/64")	38	76	100	38	76	5 (11 lbs)	2 (4.4 lbs)	21.5	
ARW2-16-150	150 (5-29/32")	(79) (3-7/64")	(79) (3-7/64")	63	129	150	63	126	7 (15.4 lbs)	3.1 (6.8 lbs)	29.5	

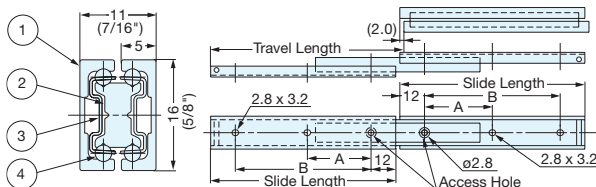
ALUMINUM MINI SLIDE



AR3-16



- Full extension.
- Positive stop.
- Thin profile for various applications.
- Light-weight aluminum body.
- * Sold by each.



No.	Part Name	Material	Finish
①	Outer Rail	Aluminum	Anodized
②	Inner Rail		
③	Retainer	Steel	Plain
④	Balls		-

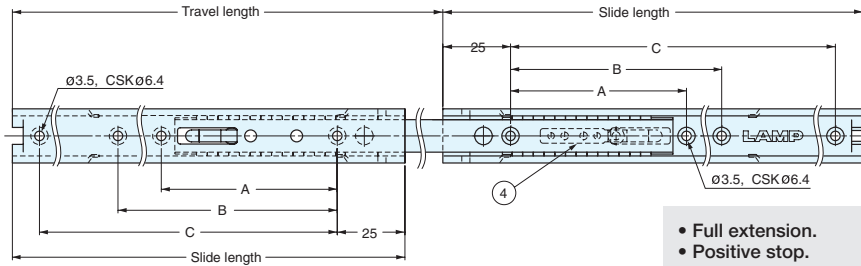
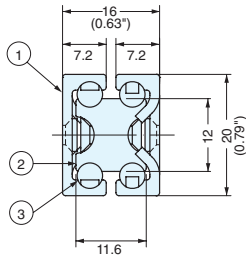
Item No.	Slide Length	Travel Length	A	B	Load Rating (kg/pair)	Weight (g/piece)	Box (pcs)
AR3-16- 80	80 (3-9/64")	(77) (3-1/32")	-	56	2 (4.4 lbs)	31.5	50
AR3-16-100	100 (3-15/16")	(117) (4-19/32")	38	76	3 (6.6 lbs)	36.0	
AR3-16-150	150 (5-29/32")	(151) (5-15/16")	63	126	4 (8.8 lbs)	55.0	

FULL EXTENSION SLIDE (W/HOLD-OUT DETENT)

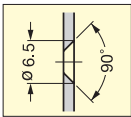
LOAD RATING
12-14.5kg
27-32lbs



AR3-K



- Full extension.
- Positive stop.
- Non-handed.
- Hold-out detent.
- * Sold by each.



Hole Dimension (Outer Rail)

No.	Part	Material	Finish
①	Outer Rail	Aluminum	Anodized
②	Inner Rail		
③	Balls	Steel	-
④	Detent Catch	304 Stainless Steel	-

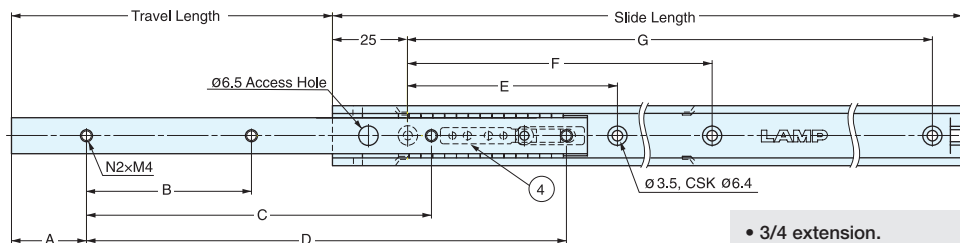
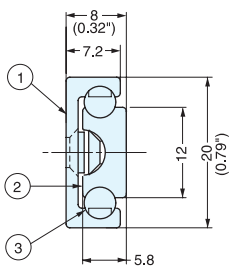
Item No.	Slide Length	Travel Length	A	B	C	Load Rating (kg/pair)	Weight (g)	Box (pcs)
AR3-K200	200 (7-7/8")	214 (8-53/64")	150	-	-	10.7 (23 lbs)	130	30
AR3-K300	300 (11-13/16")	314 (12-23/64")	130	250	-	10.2 (22 lbs)	198	
AR3-K400	400 (15-3/4")	414 (16-19/64")		350	-	9.2 (20 lbs)	263	
AR3-K500	500 (19-11/16")	514 (20-15/64")	-	280	450	8.7 (19 lbs)	304	20

3/4 EXTENSION SLIDE (W/HOLD-OUT DETENT)

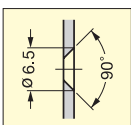
LOAD RATING
13-18kg
30-40lbs



AR2-K



- 3/4 extension.
- Positive stop.
- Non-handed.
- Hold-out detent.
- * Sold by each.



Hole Dimension (Outer Rail)

No.	Part	Material	Finish
①	Outer Rail	Aluminum	Anodized
②	Inner Rail		
③	Balls	Steel	-
④	Detent Catch	304 Stainless Steel	-

Item No.	Slide Length	Travel Length	A	B	C	D	E	F	G	Load Rating (kg/pair)	Weight (g)	Box (pcs)
AR2-K200	200 (7-7/8")	110 (4-7/16")	25	60	160	-	150	-	-	12.7 (28 lbs)	64	50
AR2-K300	300 (11-13/16")	170 (6-11/16")	45	100	230	-	130	250	-	11.2 (25 lbs)	97	
AR2-K400	400 (15-3/4")	230 (9-1/16")	45	150	270	330	130	280	350	9.7 (21 lbs)	130	
AR2-K500	500 (19-11/16")	290 (11-27/64")	45	190	340	430	130	280	450	8.7 (19 lbs)	162	

MINI GUIDE BLOCK & RAIL



MRS20, MR-20CS

DRAWER SLIDES

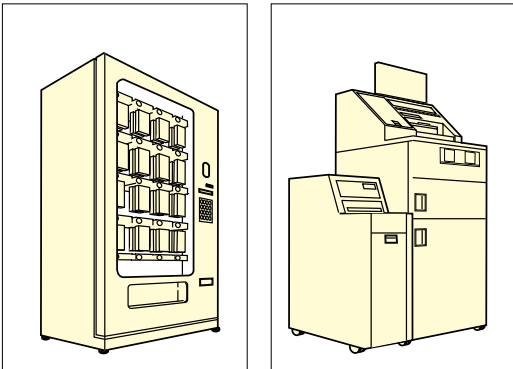
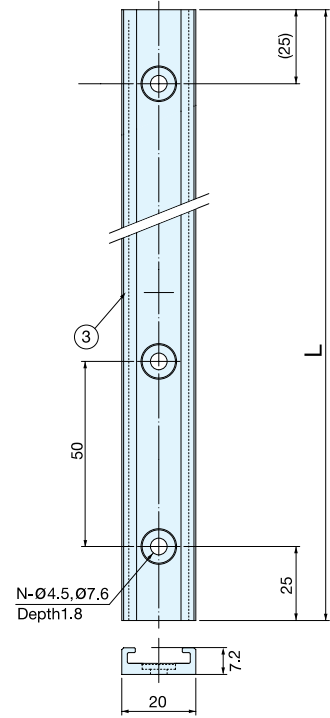
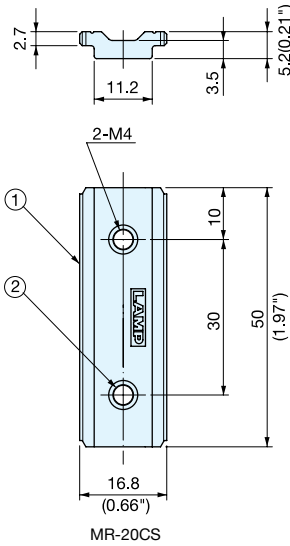
MINI GUIDE BLOCKS & RAILS



MR-20CS



- Perfect for small stroke application.
- No grease needed.
- * Block and Rail sold separately.



Installation

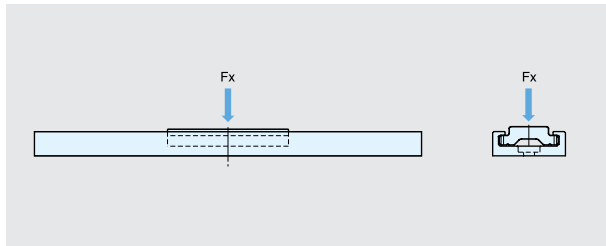
■ Rail				
Item No.	L	N	Weight (g)	25.4 mm=1" Box (pcs)
MRS20- 100	100 (3-15/16")	2	20	200
MRS20- 200	200 (7-7/8")	4	40	
MRS20- 400	400 (15-3/4")	8	80	100
MRS20- 800	800 (31-1/2")	16	160	80
MRS20-2000	2000 (78-3/4")	40	400	30

*Both ends of rail are not anodized.

No.	Material	Finish
①	Polyethylene (UL 94HB)	Grey
②	304 Stainless Steel	Plain
③	Aluminum	Anodized

■ Block			
Item No.	Weight (g)	Box (pcs)	Carton(pcs)
MR-20CS	6	50	1000

MRS 20, MR-20CS LOAD RATING INFORMATION



Horizontal Static Load Fx	30.6 kgf (67.5 lbs)
Vertical Static Load Fy	17.8 kgf (39.2 lbs)

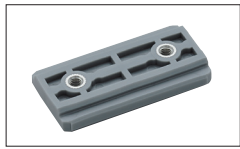
◆ Reduction Factor

Certain reduction needs to be applied depending on application or environment.
 Low speed/Low operation frequency = 70% to 100% of Load Rating
 Moderate speed/High operation frequency = 35% to 65% of Load Rating
 High operation frequency with Vibration & Shocks = 10% to 30% of Load Rating

GUIDE BLOCK & RAIL



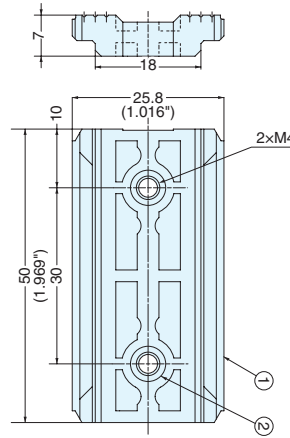
MRS30, MR-50C



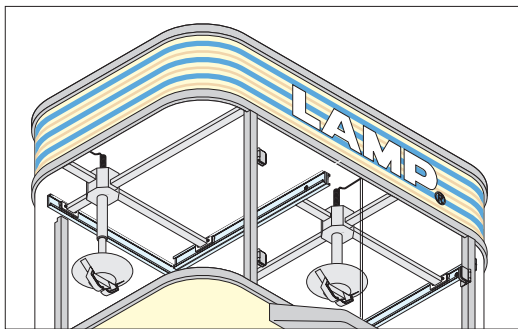
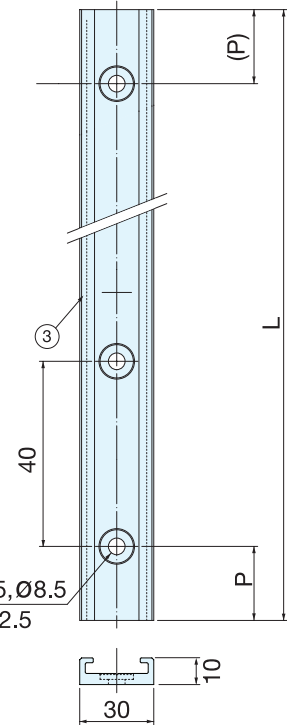
MR-50C



- Perfect for small stroke application.
- No grease needed.
- * Block and Rail sold separately.



MR-50C



Installation

■ Rail						25.4mm=1"
Item No.	L	P	N	Weight (g)	Box (pcs)	
MRS30- 100	100 (3-15/16")	10	3	39	200	
MRS30- 200	200 (7-7/8")	20	5	79	100	
MRS30- 400	400 (15-3/4")		10	159	50	
MRS30- 800	800 (31-1/2")		20	312	40	
MRS30-2000	2000 (78-3/4")		50	790	15	

*Both ends of rail are not anodized.

No.	Material	Finish
①	Polyethylene (UL 94HB)	Grey
②	304 Stainless Steel	Plain
③	Aluminum	Anodized

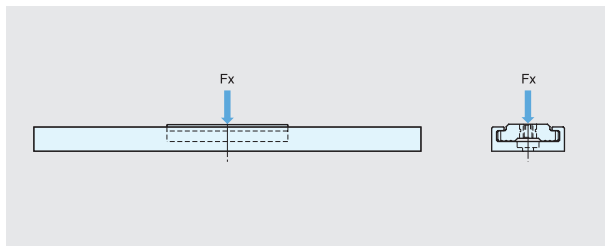
■ Block

Item No.	Weight (g)	Box (pcs)	Carton(pcs)
MR-50C	7	50	1000

MRS 30, MR-50C LOAD RATING INFORMATION

Dynamic Friction Coefficient:1

Maximum PV (Pressure (kgf-mm²) × Velocity (m/min.)) = 3.06



Horizontal Static Load Fx	26 kgf (57.2lbs)
Vertical Static Load Fy	15 kgf (33lbs)
Vertical Dynamic Load Mx	25 kgf-cm (21.6lbs-in)
Horizontal Dynamic Load My	12.5 kgf-cm (10.8lbs-in)
Horizontal Dynamic Load Mz	12.5 kgf-cm (10.8lbs-in)

◆ Reduction Factor

Certain reduction needs to be applied depending on application or environment.
 Low speed/Low operation frequency = 70% to 100% of Load Rating
 Moderate speed/High operation frequency = 35% to 65% of Load Rating
 High operation frequency with Vibration & Shocks = 10% to 30% of Load Rating

