



# HINGES & DOOR ACCESSORIES

3 WAY ADJUSTABLE CONCEALED HINGES

2 WAY ADJUSTABLE PIVOT HINGES

LIFT-OFF HINGES

BUTT HINGES

SPRING HINGES

GLASS HINGES


DOOR DAMPERS

DOOR STOPPERS















## 3-WAY ADJUSTABLE CONCEALED HINGES

Item No.	Max. Door Height	Min. Door Thickness	Max. Door Weight Tested at door width 900mm (35-7/16")	3-way Adjustment	Quick Holding Bracket	Page
 HES3D-120	2400 (94-1/2")	29 (1-1/8")	30 kg / 2 pcs (66 lbs)	YES	YES	181
			40 kg / 3 pcs (88 lbs)			
 HES3D-V135LGR-2	2400 (94-1/2")	30 (1-3/16")	40 kg / 2 pcs (88 lbs)	YES	YES	182
			55 kg / 3 pcs (122 lbs)			
 HES3D-160	2400 (94-1/2")	35 (1-3/8")	45 kg / 2 pcs (99 lbs)	YES	YES	183
			60 kg / 3 pcs (130 lbs)			
 HES3D-190	2400 (94-1/2")	36 (1-7/16")	70 kg / 2 pcs (154 lbs)	YES	YES	184
			90 kg / 3 pcs (200 lbs)			
 HES3D-220	2400 (94-1/2")	40 (1-9/16")	110 kg / 2 pcs (242 lbs)	YES	YES	185
 HES-3030BR	2000 (78-3/4")	Min. 36 (1-7/16")	50 kg / 3 pcs (110 lbs)	NO	NO	186
 HES-3038BK	2000 (78-3/4")	Min. 36 (1-7/16")	45 kg / 3 pcs (99 lbs)	NO	NO	187












2-WAY ADJUSTABLE PIVOT HINGES

Picture	Item No.	Door Weight (lbs)	Page
	PH-01	77 / pair	188











LIFT-OFF HINGES

Picture	Item No.	Door Weight (lbs)	Page
	ZL-1701  	88~110 / 2 pcs	189
	HG-CV127  	220 / 2 pcs	189
	S-6166-2 	88 / 2 pcs	190
	S-6166-6 	198 / 2 pcs	190
	S-6173-2 	88 / 2 pcs	191
	S-6173-5 	110 / 2 pcs	191













BUTT HINGES

Picture	Item No.	Door Weight (lbs)	Page
	3535/SS  	55 / 2 pcs	192
	4040/SS  	88 / 2 pcs	192
	4545B/SS  	99 / 2 pcs	192
	HG-FH128 	90 / 2 pcs	193

SPRING HINGES

Picture	Item No.	Door Weight (lbs)	Page
	JSA  	44~88 / 2 pcs 66~132 / 3 pcs	194
	JST-150S 	88 / 2 pcs 132 / 3 pcs	194
	JDA  	-	195
	JDAW 	-	196

GLASS HINGES

Picture	Item No.	Door Weight (lbs)	Page
	ZL-1702 	110 / 2 pcs	197
	ZL-1703 	143 / 2 pcs	197
	XL-GH02-120 	99 / 2 pcs	198
	XL-GH02F-120 	99 / 2 pcs	198
	XL-GH05-120 	99 / 2 pcs	199
	XL-GH05F-120 	99 / 2 pcs	199

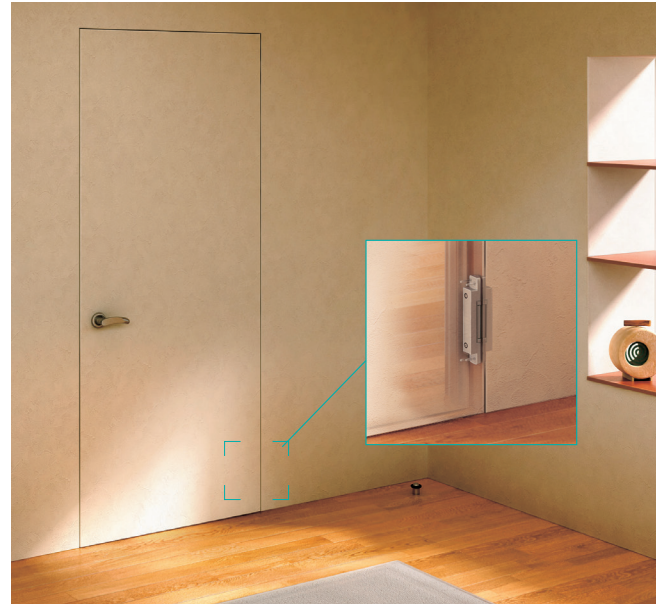
DOOR ACCESSORIES

Picture	Item No.	Magnetic Force (lbs)	Page
	LDD-S 	Door Weight 33~88 lbs	200
	LDD-V	Door Weight 33~88 lbs	202
	ZL-1801  	-	204
	ZL-1802  	-	204
	ZL-1803  	-	204
	HT-32P  	-	205
	DSD  	-	205
	SMDH	30.8	206
	KMDH	26.4	206
	SODH	-	206
	JFR (DOOR CLOSER)	Door Weight 176 lbs	207

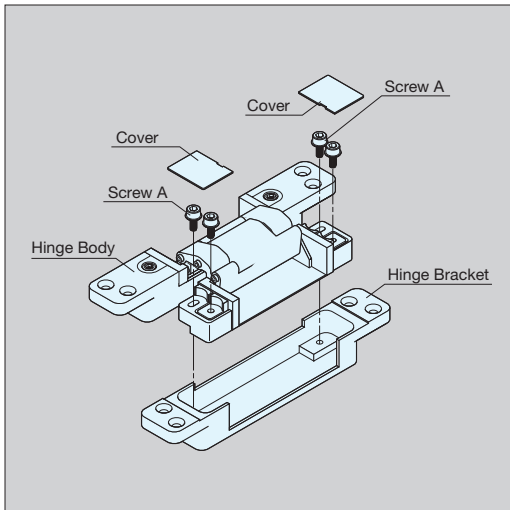
# HES3D HINGE SERIES



HES3D-190SL



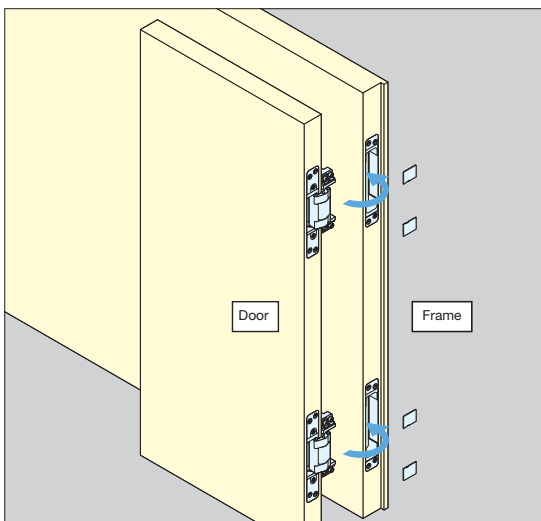
## a. Detailed View



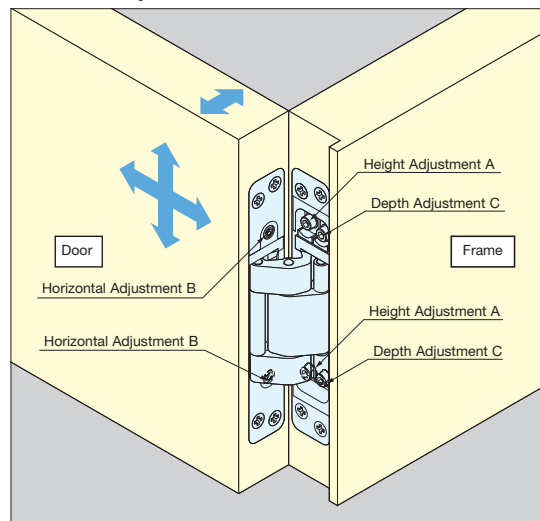
### For Easy Installation

1. Separate parts as shown in picture "a".
2. Screw on the Hinge Body to door, and Hinge Bracket to door frame.
3. As shown in picture "b", insert Hinge Body straight into Hinge Bracket. Bracket will temporarily hold the Body for easy installation.
4. Use "screw A" to fix Body on Bracket.
5. Adjust horizontally by turning "screw B".
6. Loosen "screw A" for vertical adjustment. Tighten "screw A" after vertical adjustment completed.
7. For depth adjustment, loosen "screw C" (one turn). Tighten "screw C" after completed.
8. Snap on plastic covers after all above completed.

## b. Installation



## c. 3WAY Adjustment



# 3-WAY ADJUSTABLE CONCEALED HINGE



# HES3D-120



HES3D-120DN

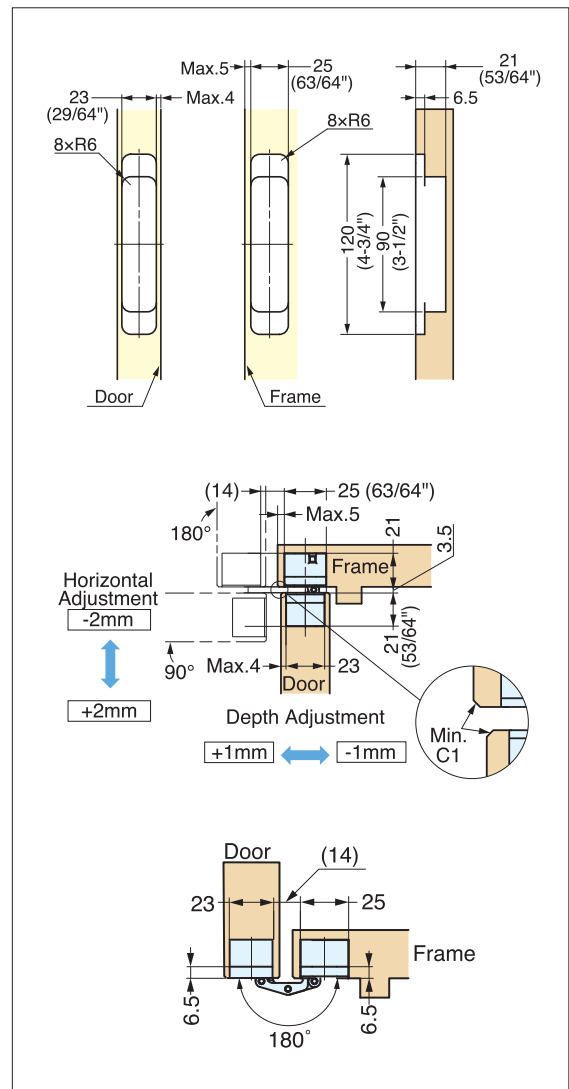
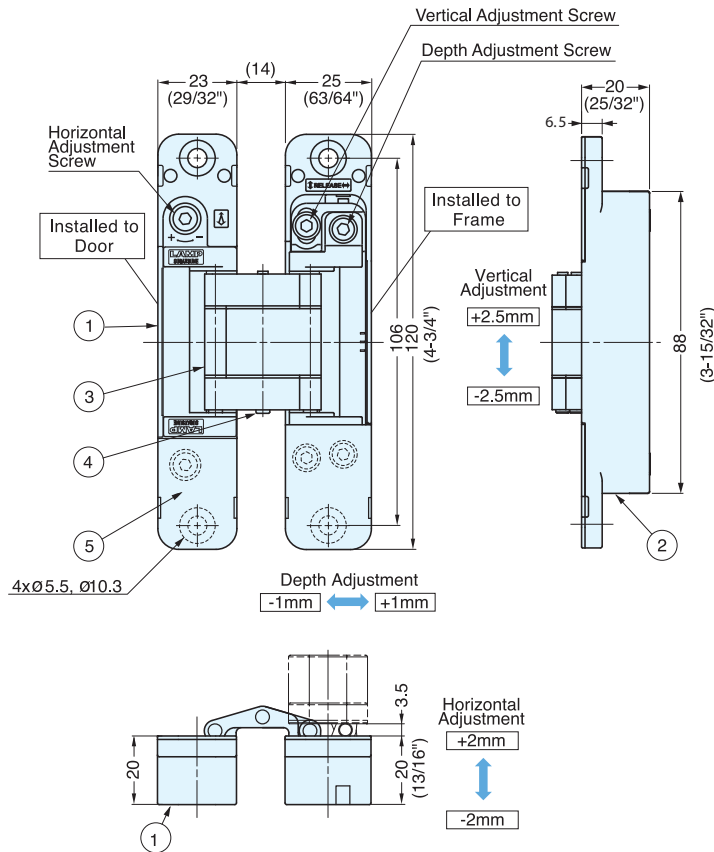
HES3D-120DC

- 3 WAY adjustment function allows vertical, horizontal, and depth adjustment after hinge installed.
- Easy installation and adjustment.
- Successfully passed 300,000 open/close private cycle tests.
- Supplied with steel flat head screw.
- Cover hides all screw heads for clean appearance.
- Door weight: Max. 30 kg (66 lbs)/2 pcs, 40 kg (88 lbs)/3 pcs
- Door Thickness: Min. 29 mm (1-1/8 ")
- Max. Door Size: H 2400 mm x W 900 mm (H 94-1/2 " x W 35-7/16 ")

Item No.	Finish/Color
HES3D-120DC	Dull Chrome
HES3D-120DN	Dull Nickel

Item No.	Weight (g)	Box (pcs)	Carton (pcs)
HES3D-120DC	380	2	24
HES3D-120DN			

No.	Part Name	Material	Finish/Color
①	Body	Zinc Alloy	Dull Chrome (DC)
②	Base Frame		Dull Nickel (DN)
③	Arm	304 Stainless Steel	-
④	Pin		-
⑤	Cover	ABS	Dull Chrome (DC)
			Dull Nickel (DN)



Bore Dimensions

# 3-WAY ADJUSTABLE CONCEALED HINGE



# HES3D-V135LGR-2



HES3D-V135LGR-2

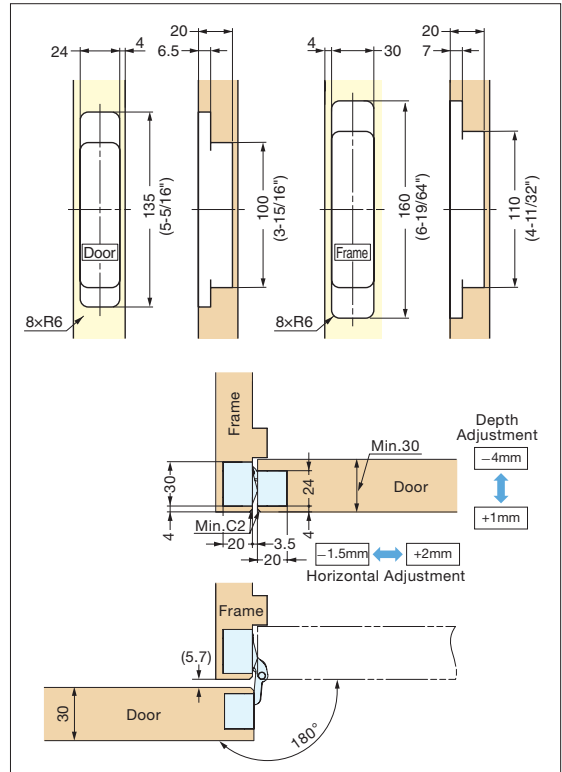
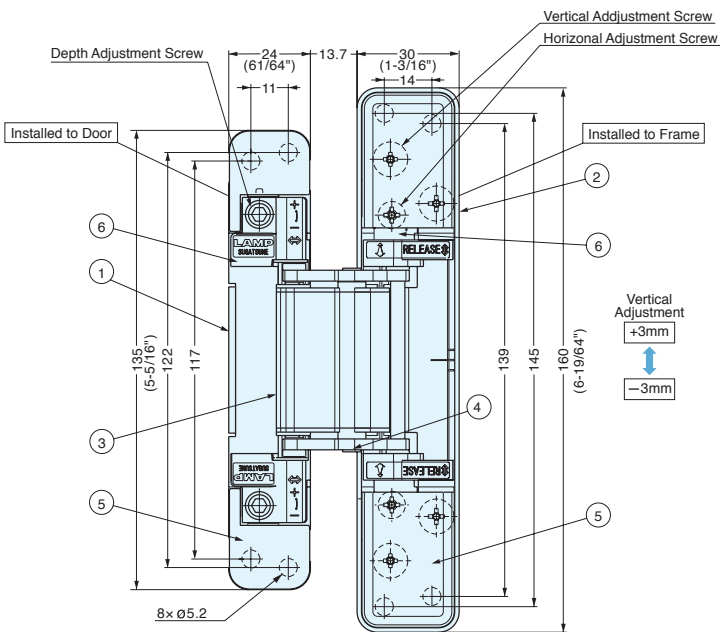


- 3 WAY adjustment function allows vertical, horizontal, and depth adjustment after hinge installed.
- Easy installation and adjustment.
- Successfully passed 300,000 open/close private cycle tests.
- Supplied with steel button head screw.
- Door weight: Max. 40 kg (88 lbs)/2 pcs, 55 kg (122 lbs)/3 pcs
- Door Thickness: Min. 30 mm (1-3/16")
- Max. Door Size: H 2400 mm x W 900 mm (H 94-1/2" x W 35-7/16")

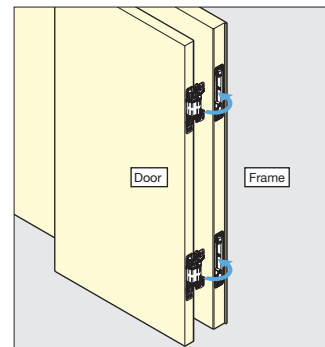
Item No.	Finish/Color
HES3D-V135LGR-2	Light Gray

Item No.	Weight (g)	Box (pcs)	Carton (pcs)
HES3D-V135LGR-2	400	2	24

No.	Part Name	Material	Finish/Color
①	Body	Steel	Nickel
②	Base Frame	Polyacetal	Light Grey
③	Arm	Aluminum	Anodized
④	Pin	Steel	Nickel
⑤	Cover	Polyacetal	Light Grey
⑥	Block	Zinc Alloy	Nickel



Bore Dimensions



Installation

# 3-WAY ADJUSTABLE CONCEALED HINGE



# HES3D-160



HES3D-160SL



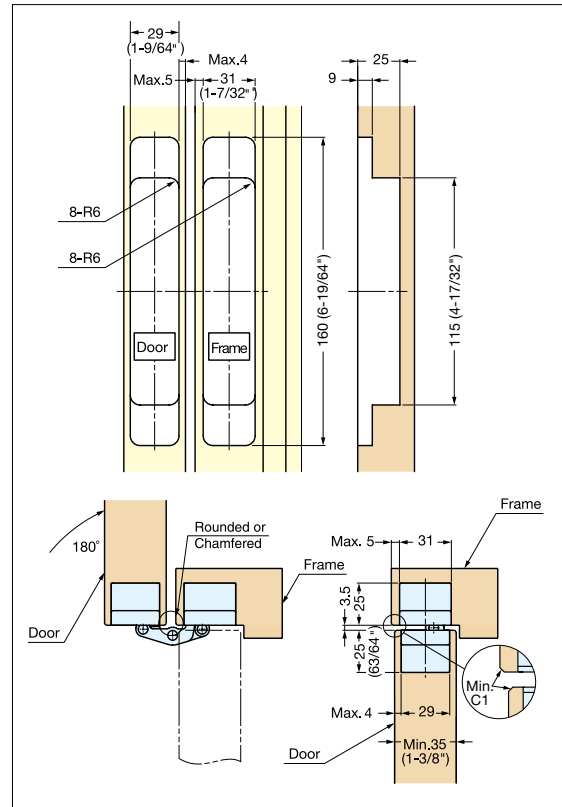
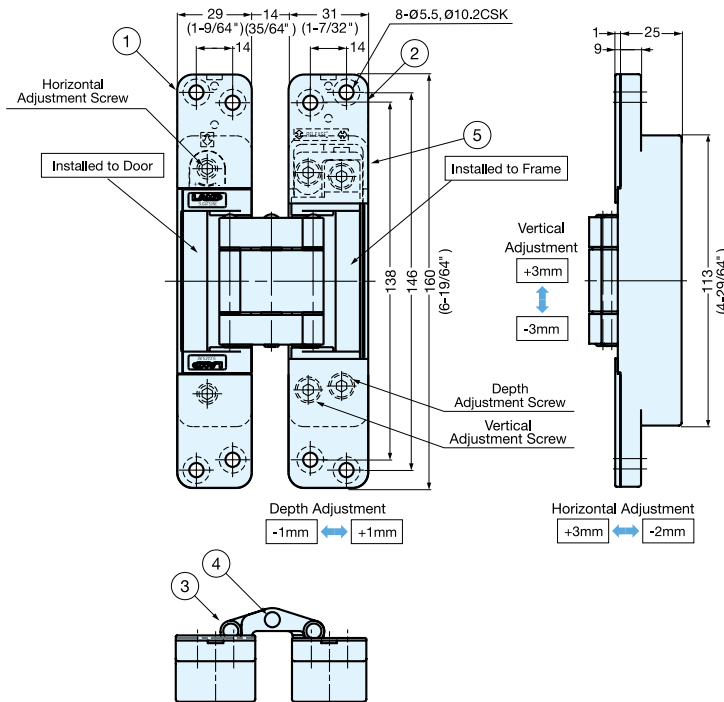
HES3D-160GL

- 3 WAY adjustment function allows vertical, horizontal, and depth adjustment after hinge installed.
- Easy installation and adjustment.
- Successfully passed 300,000 open/close private cycle tests.
- Supplied with steel flat head screw.
- Cover hides all screw heads for clean appearance.
- Door weight: Max. 45 kg (99 lbs)/2 pcs, 60 kg (130 lbs)/3 pcs
- Door Thickness: Min. 35 mm (1-3/8")
- Max. Door Size: H 2400 mm x W 900 mm (H 94-1/2" x W 35-7/16")

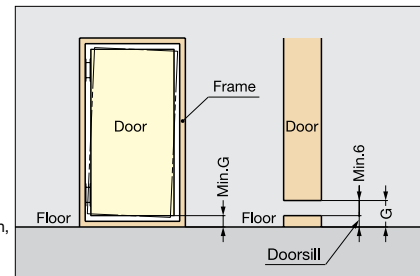
Item No.	Finish/Color
HES3D-160SL	Matte Silver
HES3D-160GL	Matte Gold

Item No.	Weight (g)	Box (pcs)	Carton (pcs)
HES3D-160SL	700	2	12
HES3D-160GL			

No.	Part Name	Material	Finish/Color
①	Body	Zinc Alloy	Matte Silver Matte Gold
②	Base Frame		
③	Arm	Aluminum	
④	Pin	304 Stainless Steel	-
⑤	Cover	ABS	Matte Silver, Matte Gold



Bore Dimensions



To determine the door and frame dimension, (G) must be taken into account.  
G = Min. 6 mm + doorsill

# 3-WAY ADJUSTABLE CONCEALED HINGE



# HES3D-190

HINGES

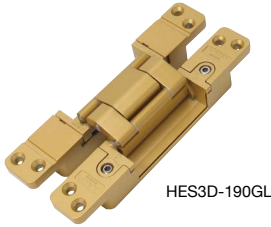
3-WAY ADJUSTABLE CONCEALED HINGES



HES3D-190SL



HES3D-190BL



HES3D-190GL



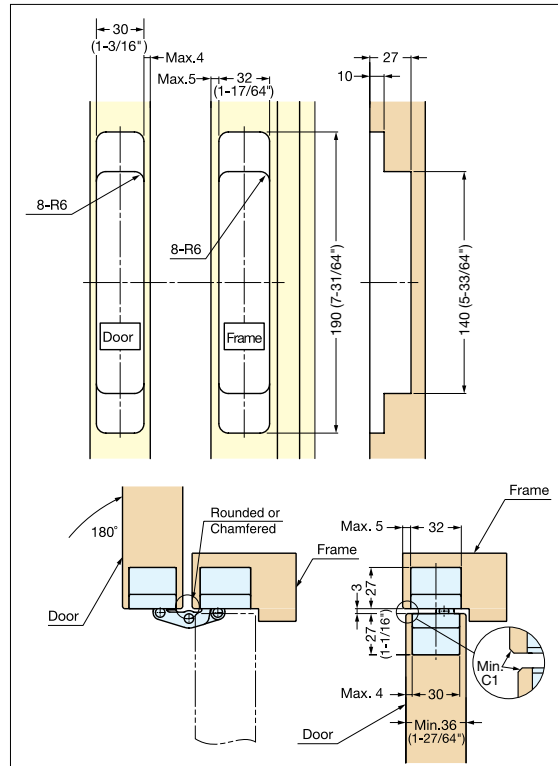
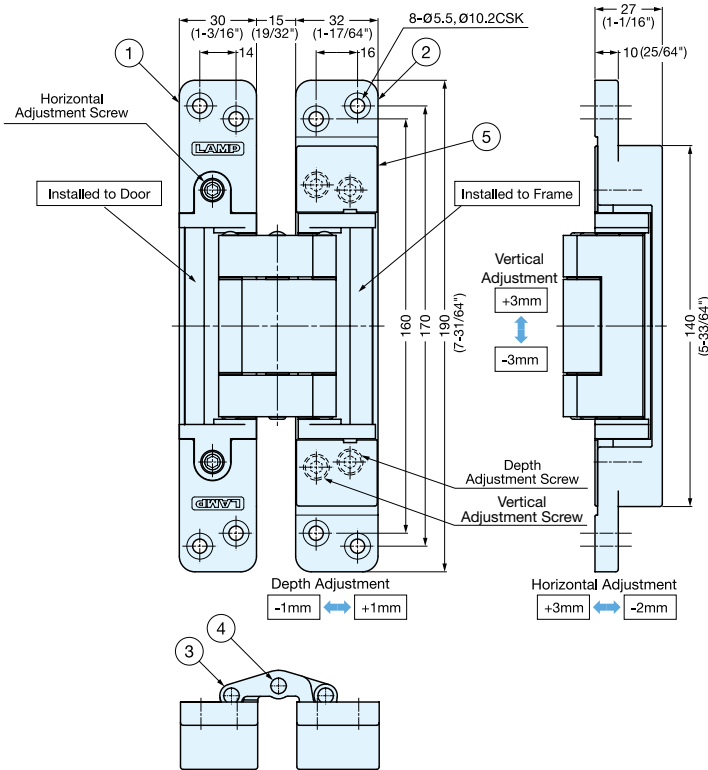
- 3 WAY adjustment function allows vertical, horizontal, and depth adjustment after hinge installed.
- Easy installation and adjustment.
- Successfully passed 300,000 open/close private cycle tests.
- Available in Matte Silver (SL), Matte Gold (GL), or Matte Black (BL) finish.
- Supplied with stainless steel flat head screw (Screw head painted).
- Door weight: Max. 70 kg (154 lbs)/2 pcs, 90 kg (200 lbs)/3 pcs
- Door Thickness: Min. 36 mm (1-7/16")
- Max. Door Size: H 2400 mm x W 900 mm (H 94-1/2" x W 35-7/16")

**PLEASE USE HES3D-E190 SERIES INSTEAD.**

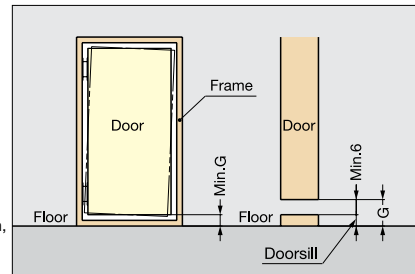
Item No.	Finish/Color
HES3D-190SL	Matte Silver
HES3D-190GL	Matte Gold
HES3D-190BL	Matte Black

Item No.	Weight (g)	Box (pcs)	Carton (pcs)
HES3D-190SL	940	2	12
HES3D-190GL			
HES3D-190BL			

No.	Part Name	Material	Finish/Color
①	Body	Zinc Alloy	Matte Silver
②	Base Frame		Matte Gold
③	Arm	Aluminum	Matte Black
④	Pin	304 Stainless Steel	-
⑤	Cover	ABS	Matte Silver, Matte Gold Matte Black



Bore Dimensions



To determine the door and frame dimension, (G) must be taken into account.  
G = Min. 6 mm + doorsill



# 3-WAY ADJUSTABLE CONCEALED HINGE

# HES3D-220



- 3 WAY adjustment function allows vertical, horizontal, and depth adjustment after hinge installed.
- Easy installation and adjustment.
- Successfully passed 200,000 open/close private cycle tests.
- Door weight: Max. 110 kg (242 lbs)/2 pcs
- Door Thickness: Min. 40 mm (1-9/16")
- Max. Door Size: H 2400 mm x W 900 mm (H 94-1/2" x W 35-7/16")

Item No.	Finish/Color		
HES3D-220	Polished Brass		

Item No.	Weight (g)	Box (pcs)	Carton (pcs)
HES3D-220	2100	-	-

No.	Part Name	Material	Finish/Color
①	Body	Brass	Polished Brass
②	Base Frame		
③	Arm		
④	Pin	304 Stainless Steel	-
⑤	Cover	Brass	Polished Brass



HES is our complete line of concealed hinges that incorporates a distinct functionality with high load capacity, safety, and adjustability, but most of all...design.

The HES logo expresses our spirit through quality craftsmanship.



*Designed for Versatility*



*Concealed for Elegance*

CONCEALED HINGE

Meets  SPECS.



HES-3030BR

HINGES

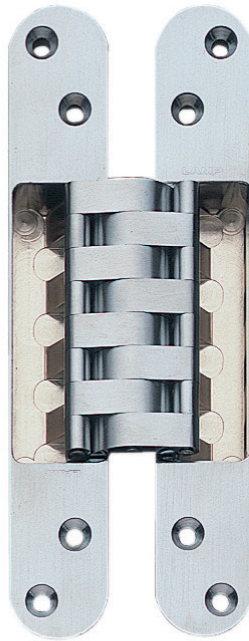
CONCEALED HINGES



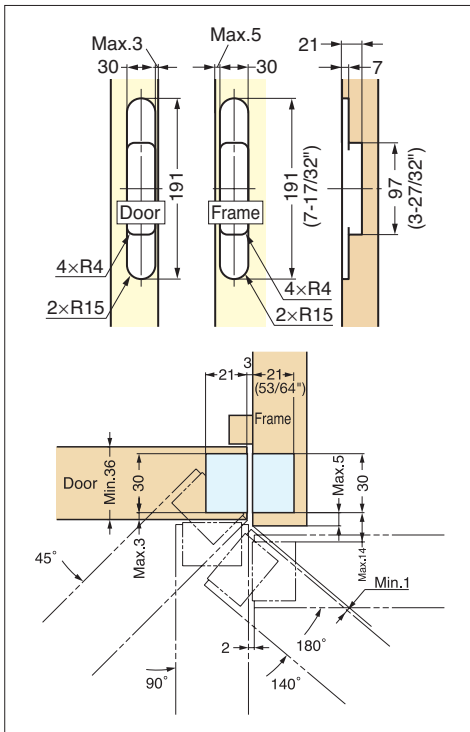
- Door weight: Max. 50 kg (110 lbs)/3pcs
- Door thickness: Min. 36 mm (1-7/16")
- Suitable door size: H2000 mm x W900 mm (H78-3/4" x W35-7/16")
- Successfully passed 200,000 open/close private cycle tests.



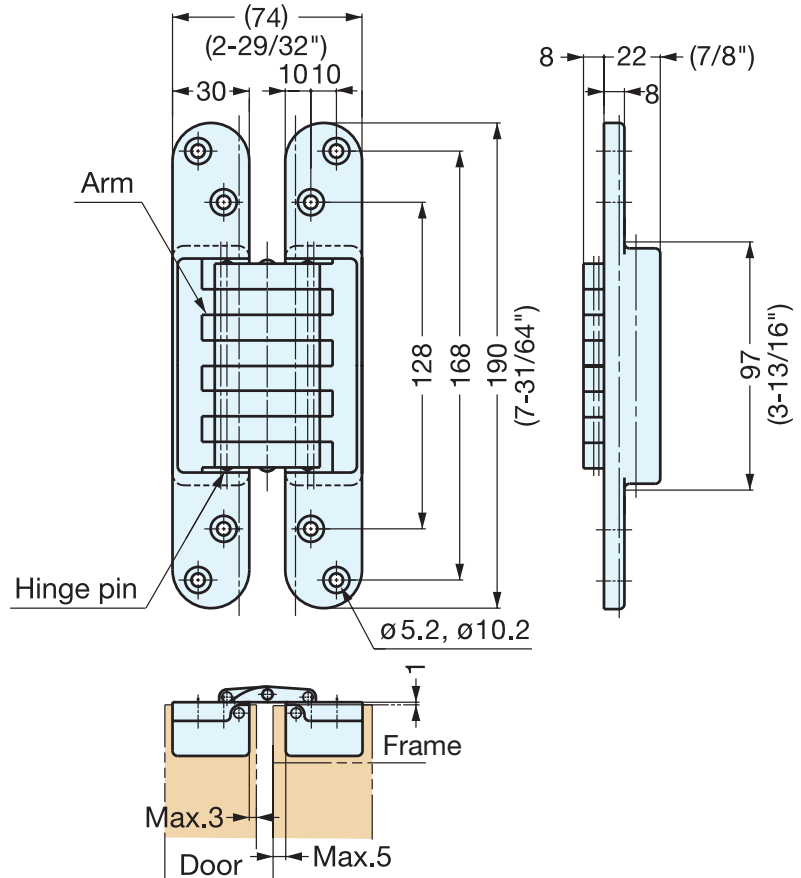
HES-3030BR/PB



HES-3030BR/SC



Bore Dimensions



Item No.	Weight (g)	Box (pcs)	Carton (pcs)
HES-3030BR/PB	1030	2	20

Material	Finish/Color
Brass	Polished Brass (PB) Satin Chrome (SC)

CONCEALED HINGE



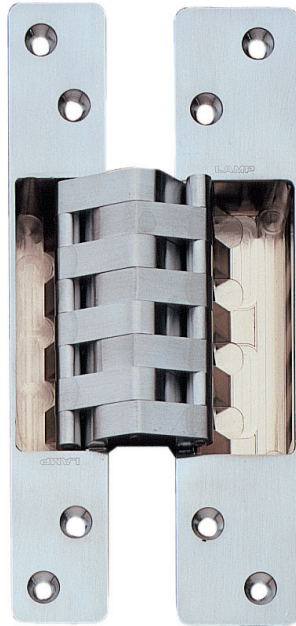
HES-3038BK



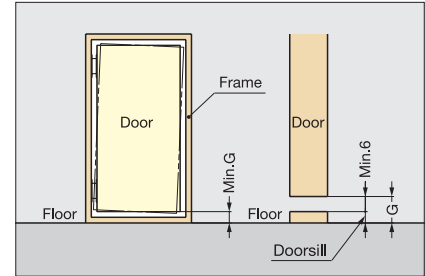
- Door weight: Max. 45 kg (99 lbs)/3 pcs
- Door thickness: Min. 36 mm (1-8/16")
- Suitable door size: H2000 mm x W900 mm (H78-3/4" x W35-7/16")
- Successfully passed 200,000 open/close private cycle tests.



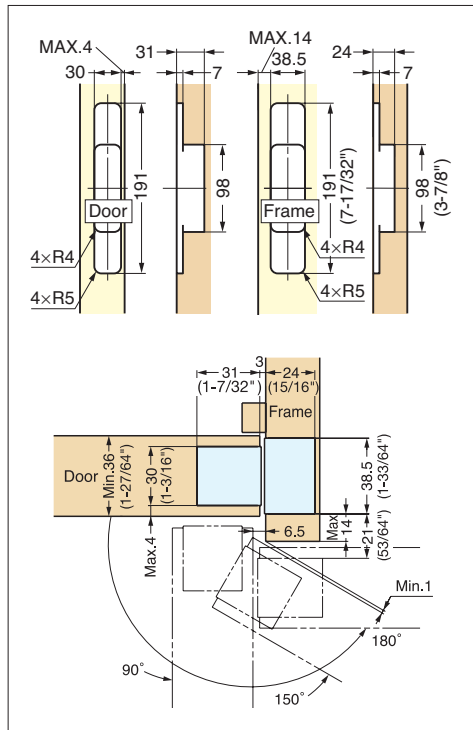
HES-3038BK/PB



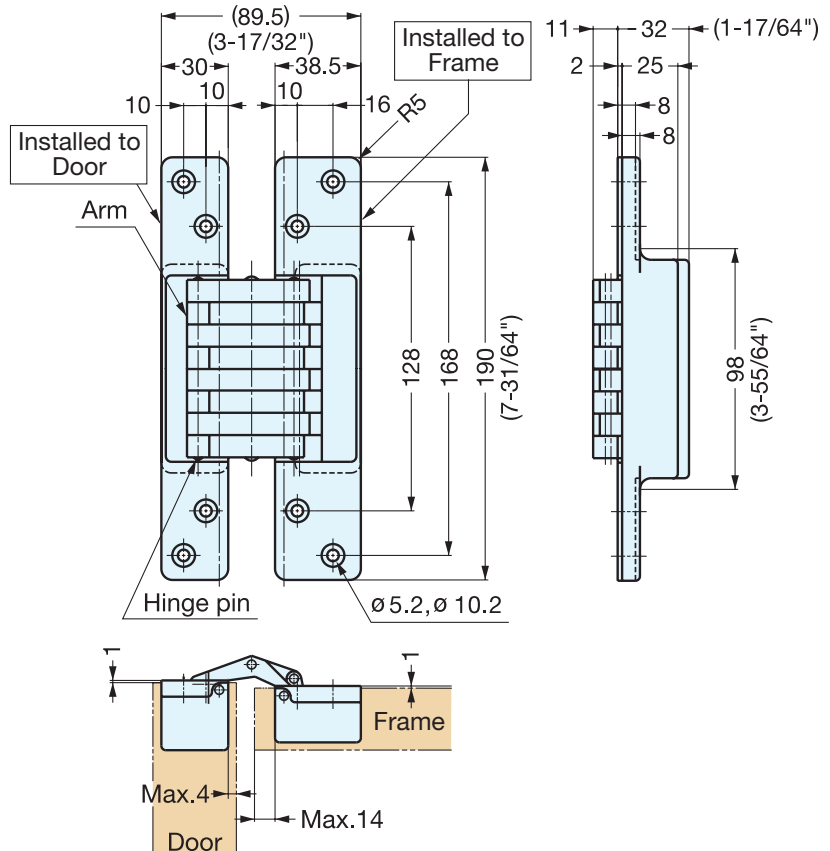
HES-3038BK/SC



To determine the door and frame dimension, (G) must be taken into account.  
G = Min. 6 mm + doorsill



Bore Dimensions



Item No.	Weight (g)	Box (pcs)	Carton (pcs)
HES-3038BK/PB	1360	2	20
HES-3038BK/SC			

Material	Finish/Color
Brass	Polished Brass (PB) Satin Chrome (SC)

# 2-WAY ADJUSTABLE PIVOT HINGE



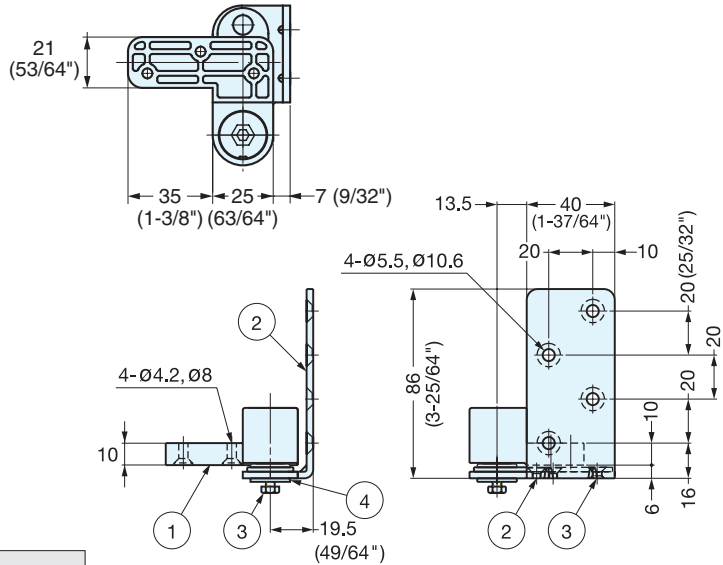
PH-01

HINGES

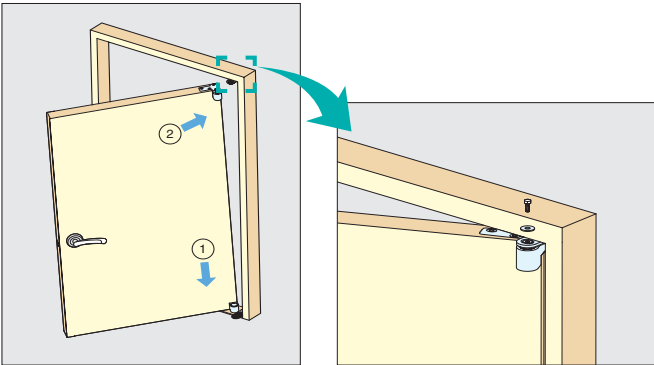
2-WAY ADJUSTABLE PIVOT HINGES



- Vertically and laterally adjustable after installed.
- Sold in pairs (top and bottom), non-handed.
- Supplied with wood screw 4 x 30.
- Separate body and bracket for easy installation.
- Door Height: Max. 2300 mm (90-34/64")
- Door Width: Max. 850 mm (33-15/32")
- Door Weight: Max. 35 kg (77 lbs)/pair
- Door Thickness: 33-42 mm (1-19/64"~1-21/32")

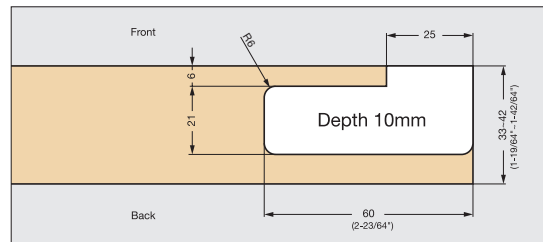


## Door Installation

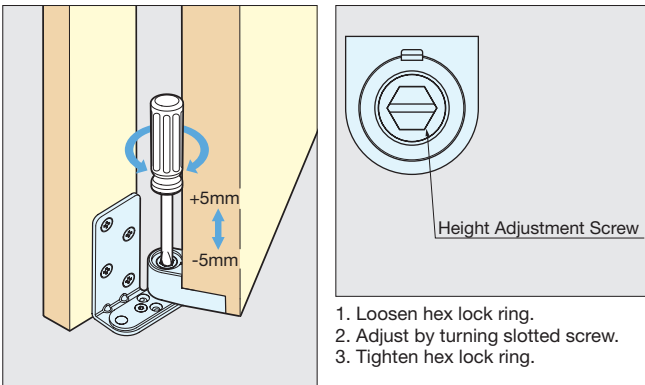


- \* Gap between door jamb and handle side of door: 4 mm (Door Thickness 33-42 mm)
- Install hinge bracket to door frame
- Bolt the door on with supplied screw

## Bore Dimensions (Door)

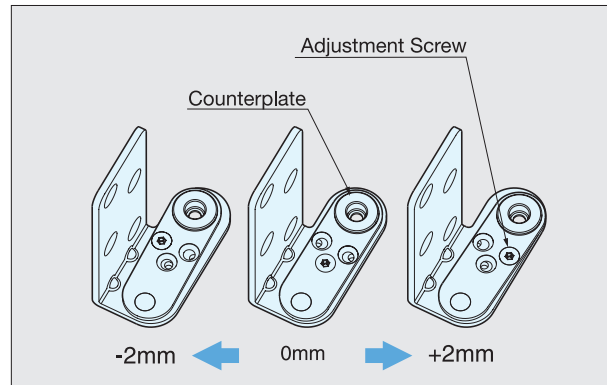


## Vertical Adjustment



1. Loosen hex lock ring.
2. Adjust by turning slotted screw.
3. Tighten hex lock ring.

## Lateral Adjustment



Item No.	Weight (g)	Box (set)	Carton (set)
PH-01	500	1	20

No.	Part Name	Material	Finish/Color
①	Body	Zinc Alloy	Matte Silver
②	Bracket	304 Stainless Steel	Plain
③	Hex Bolt		-
④	Washer		-
⑤	Cap	ABS	White

# ZweiL Lift-Off Hinge



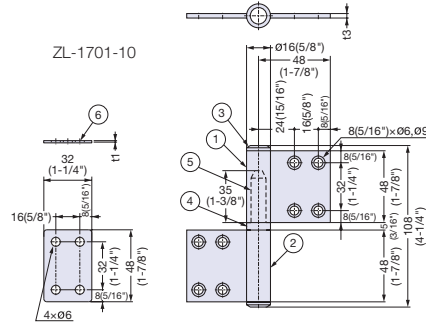
# ZL-1701

HINGES

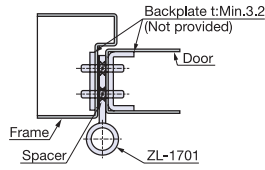
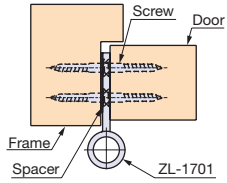
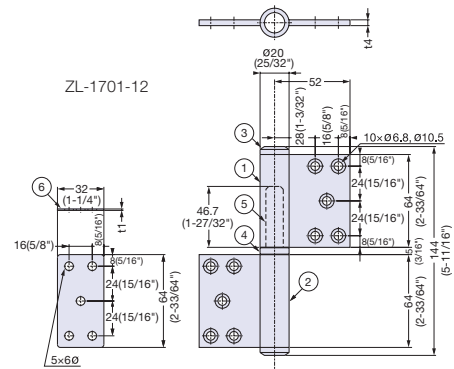
LIFT-OFF HINGES



ZL-1701-10



ZL-1701-12



No.	Part Name	Material	Finish/Color
①	Door Side Hinge Plate	316 Stainless Steel	Zwei L
②	Frame Side Hinge Plate		
③	Head Cap		Satin
④	Washer		Plain
⑤	Pin		
⑥	Spacer		

ZL-1701-10: Supplied with stainless steel wood screws (4.1 x 38) and stainless steel screws (M5 x 16, ø8 Head)

ZL-1701-12: Supplied with stainless steel wood screws (4.8 x 38) and stainless steel screws (M5 x 16, ø9 Head)

Item No.	Load Capacity (kg)	Weight (g)	Box (pcs)
ZL-1701-10	40 ( 88 lbs )/2pcs	300	8
ZL-1701-12	50 (110 lbs)/2pcs	430	

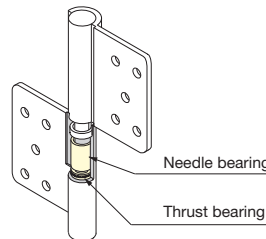
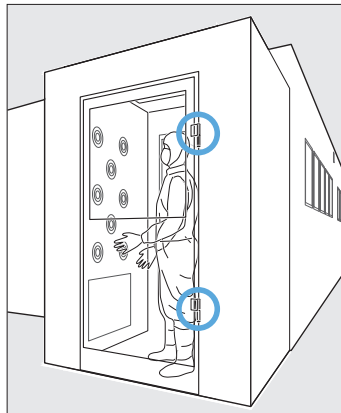
# HEAVY DUTY CLEAN ROOM LIFT-OFF HINGE



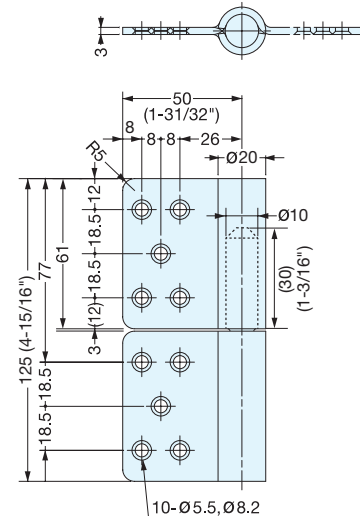
# HG-CV127



HG-CV127/R



- No metal-to-metal contact.
- Special bearings minimize particles.
- Successfully passed 200,000 open cycle test at the following door size.
  - Door Weight: MAX. 100 kg/pair (220 lbs/pair)
  - Door Height: MAX. 2,000 mm (78-3/4")
  - Door Width: MAX. 900 mm (35-7/16")



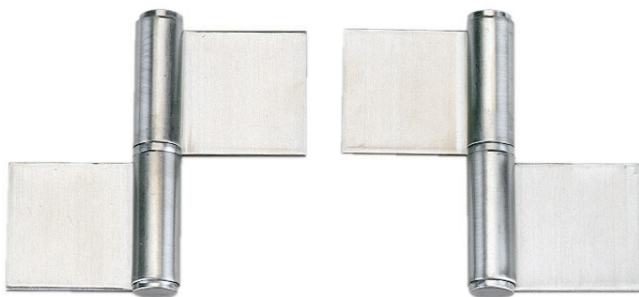
Item No.	Weight (g)	Box (pcs)	Carton (pcs)
HG-CV127/L	388	5	50
HG-CV127/R			

Material	Finish
304 Stainless Steel	Satin

## LIFT-OFF HINGE (WELD-ON)

STAINLESS  
304  
STEEL

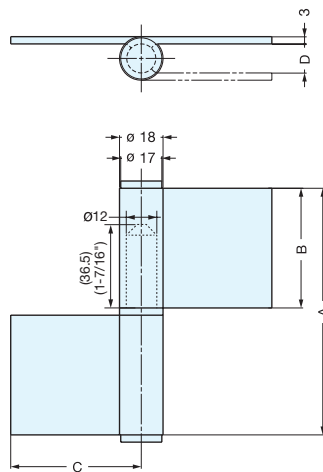
### S-6166-2



Right

Left

- Weld-on type stainless steel lift-off hinge.
- Left and Right handed available.
- Door weight: Max. 40 kg/pair (88 lbs/pair)



Material	Finish
304 Stainless Steel	Satin

Item No.		A	B	C	D	Weight (g)	Box (pcs)	Carton (pcs)
Left	Right							
S-6166-2-L	S-6166-2-R	102 (4-1/64")	49.5 (1-61/64")	55 (2-5/32")	12 (15/32")	300	12	60

## LIFT-OFF HINGE (WELD-ON)

STAINLESS  
304  
STEEL

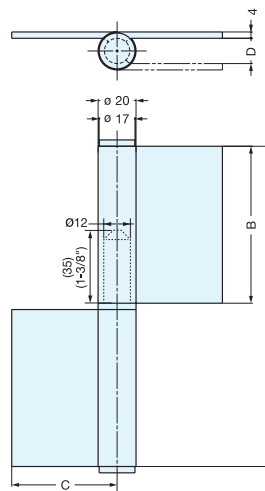
### S-6166-6



Right

Left

- Weld-on type stainless steel lift-off hinge.
- Left and Right handed available.
- Door weight: Max. 90 kg/pair (198 lbs/pair)



Material	Finish
304 Stainless Steel	Satin

Item No.		A	B	C	D	Weight (g)	Box (pcs)	Carton (pcs)
Left	Right							
S-6166-6-L	S-6166-6-R	152 (5-63/64")	74.5 (2-15/16")	55 (2-5/32")	12 (15/32")	570	8	40

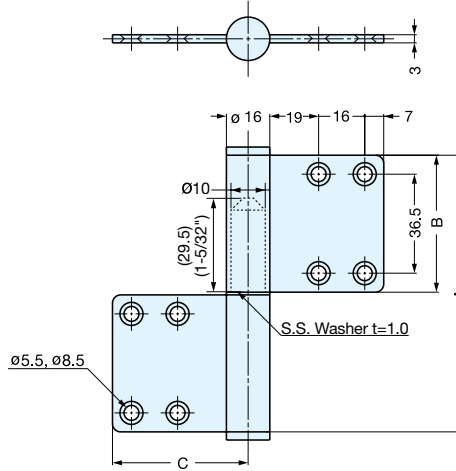
# LIFT-OFF HINGE



# S-6173-2



- Screw hole is countersunk from both sides.
- Non-handed.
- Door weight: Max. 40 kg/pair (88 lbs/pair)



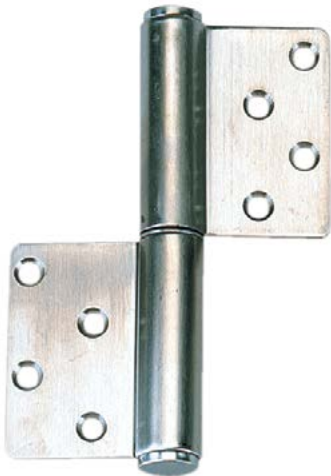
Material	Finish
304 Stainless Steel	Satin

Item No.	A	B	C	Weight (g)	Box (pcs)	Carton (pcs)
S-6173-2	102 (4-1/64")	50.5 (1-63/64")	50 (1-31/32")	240	12	60

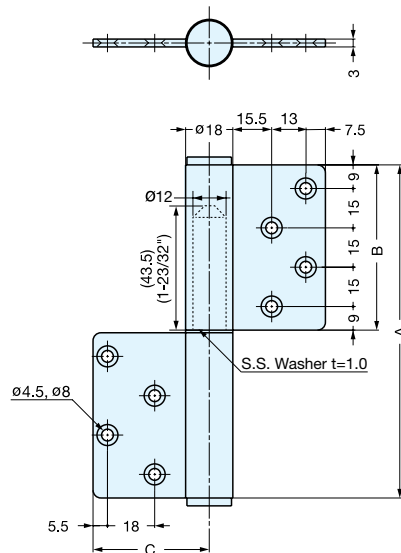
# LIFT-OFF HINGE



# S-6173-5



- Screw hole is countersunk from both sides.
- Non-handed.
- Door weight: Max. 50 kg/pair (110 lbs/pair)



Material	Finish
304 Stainless Steel	Satin

Item No.	A	B	C	Weight (g)	Box (pcs)	Carton (pcs)
S-6173-5	127 (5")	63 (2-31/64")	45 (1-25/32")	330	8	40

# BUTT HINGE



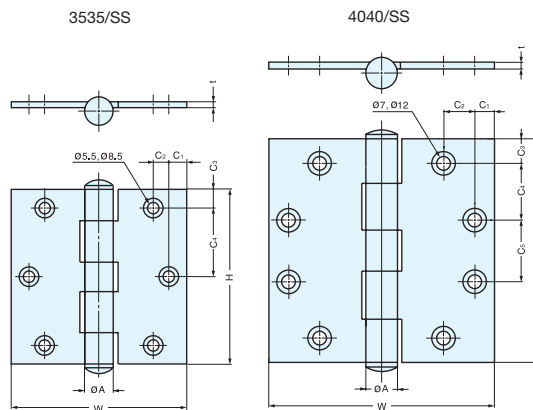
## 3535/SS, 4040/SS



3535/SS

4040/SS

- Door weight:  
3535/SS Max. 25 kg/pair (55 lbs/pair)  
4040/SS Max. 40 kg/pair (88 lbs/pair)



Material	Finish
304 Stainless Steel	Satin

Item No.	H	W	C <sub>1</sub>	C <sub>2</sub>	C <sub>3</sub>	C <sub>4</sub>	C <sub>5</sub>	A	t	Weight (g)	Box (pcs)	Carton (pcs)
3535/SS	89 (3-1/2")	89 (3-1/2")	9.1	8	9.1	35.4	-	14	3.0	145	2	100
4040/SS	101.6 ( 4" )	101.6 ( 4" )	9.5	9.5	13	25.5	24.6	14.8	3.4	195		50

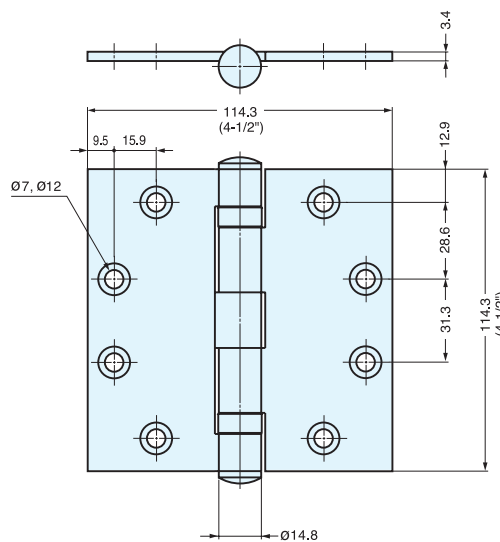
# BUTT HINGE (W/BALL BEARING)



## 4545B/SS



- Ball bearing provides smooth movement.
- Door weight: Max. 45 kg/pair (99 lbs/pair)



Item No.	Weight (g)	Box (pcs)	Carton (pcs)	Material	Finish
4545B/SS	420	2	50	304 Stainless Steel	Satin



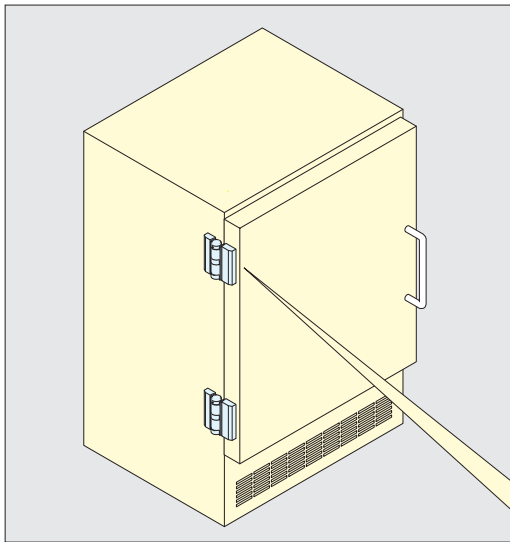
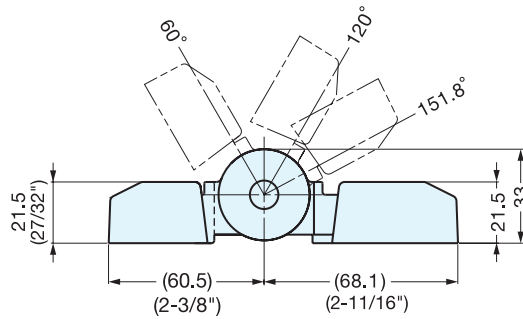
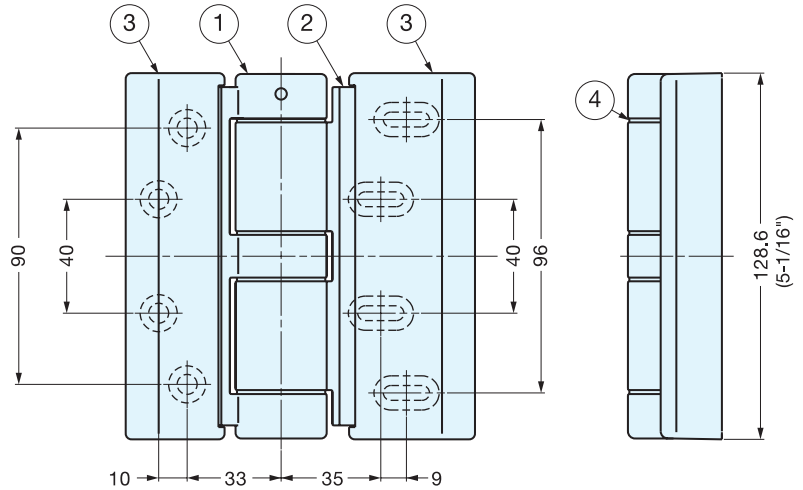
# DETENT HINGE



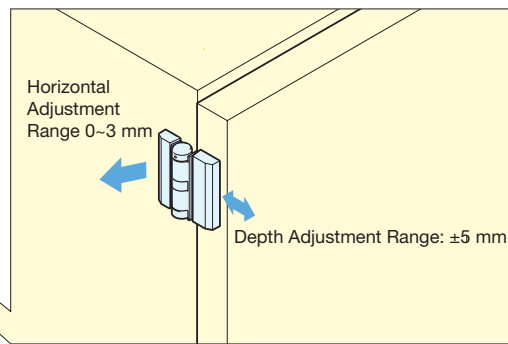
# HG-FH-128



- Ideal for doors which need to be compressed.
- Horizontally adjustable for better compression.
- Holds doors at 60° and 120°  
Max. Open: 152°
- Plastic washer provides smooth movement.
- Recommended door specification:  
Width: 600~900 mm (24~36")  
Height: 900~1200 mm (36~48")  
Weight: maximum 40 kg (90 lbs) for 2 hinges
- Retaining Force: 102 kgf-cm (88.5 lbs-in)



Installation



Item No.	Weight (g)	Box (pcs)	Carton (pcs)
HG-FH-128	1500	2	10

No.	Part Name	Material	Finish
①	Body A	Zinc Alloy	Nickel
②	Body B		
③	Cover A, B	AES	Silver
④	Washer	Fluoroplastic	-

# SPRING HINGE



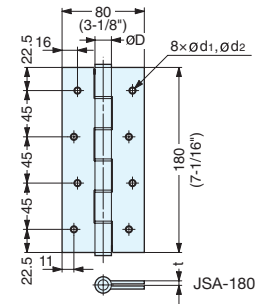
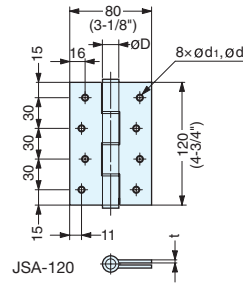
JSA



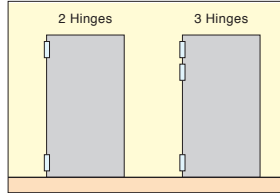
JSA-120A

JSA-180S

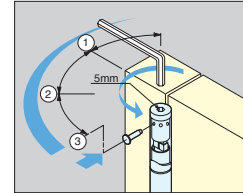
- Spring loaded for self closing.
- Adjustable spring tension.
- Successfully passed 500,000 open/close private cycle tests.



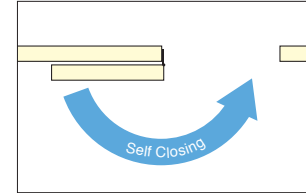
### Installation



### Adjustable Spring tension



### Self closing



Item No.	D	t	d <sub>1</sub>	d <sub>2</sub>	Load Capacity (kg)		Weight (g)	Box (pcs)	Carton (pcs)	Material	Finish
					2 Hinges	3 Hinges					
JSA-120A	16	4	5	8	20 (44 lbs)	30 (66 lbs)	175	2	20	Aluminum	Anodized
JSA-180A					40 (88 lbs)	60 (132 lbs)					
JSA-120S	17	2.5	5.5	9	20 (44 lbs)	30 (66 lbs)	303			304 Stainless Steel	Satin
JSA-180S					40 (88 lbs)	60 (132 lbs)					

# SPRING HINGE

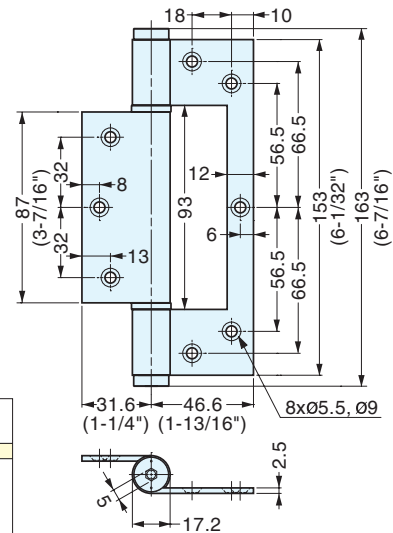


JST-150S

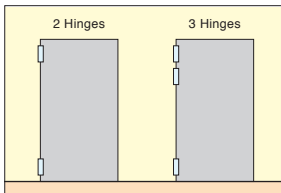


JST-150S

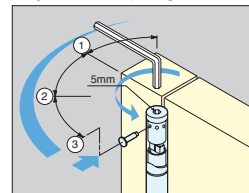
- Spring loaded for self closing.
- Adjustable spring tension.
- Successfully passed 500,000 open/close private cycle tests.



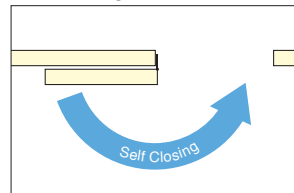
### Installation



### Adjustable Spring tension

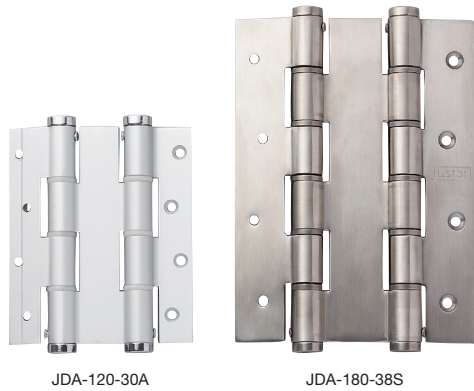


### Self closing



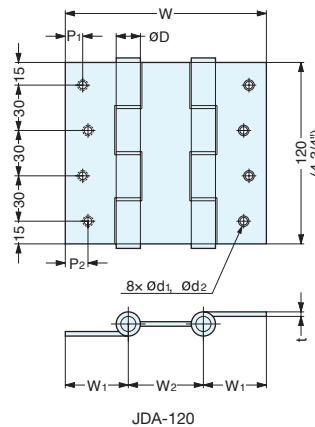
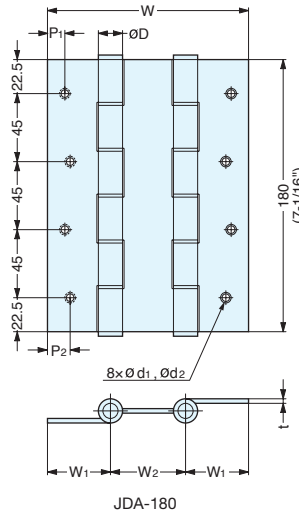
Item No.	Load capacity (kg)		Weight (g)	Box (pcs)	Carton (pcs)	Material	Finish
	2 Hinges	3 Hinges					
JST-150S	40 (88 lbs)	60 (132 lbs)	336	2	20	304 Stainless steel	Satin

# DOUBLE ACTION SPRING HINGE

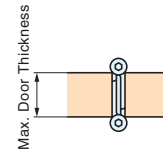
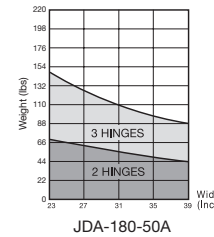
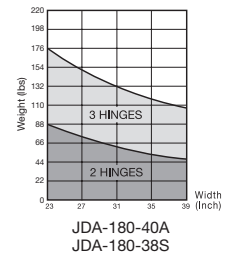
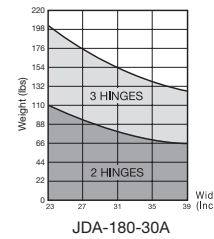
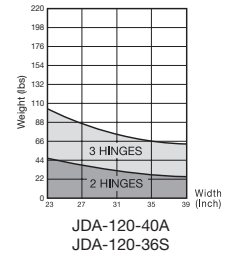
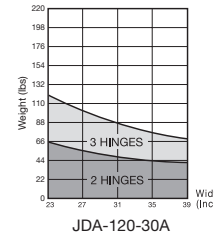

**JDA**


JDA-120-30A

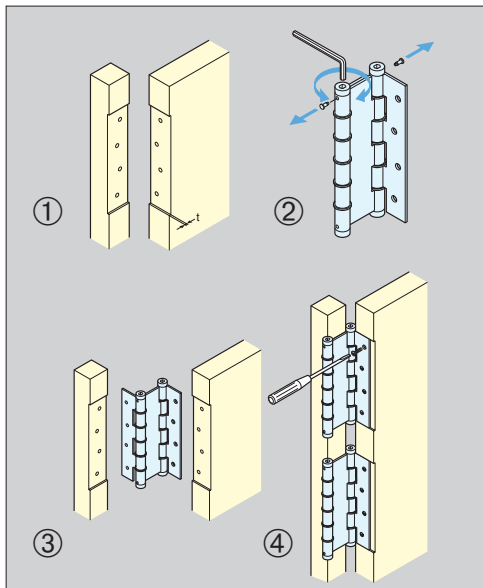
JDA-180-38S



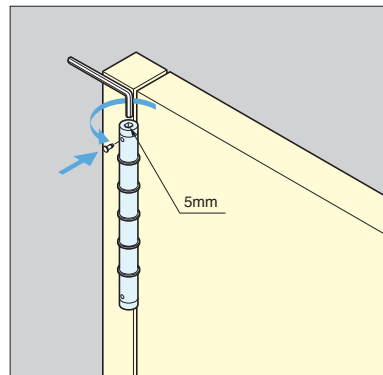
- Spring loaded for self closing.
- Adjustable spring tension.
- Successfully passed 500,000 open/close private cycle tests.



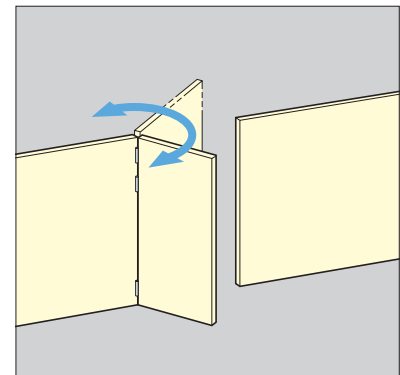
## Installation



## Adjustable Spring tension



## Double Action Spring Hinges



Item No.	W	W <sub>1</sub>	W <sub>2</sub>	P <sub>1</sub>	P <sub>2</sub>	D	t	d <sub>1</sub>	d <sub>2</sub>	Max. Door Thickness (mm)	Weight (g)	Material	Finish	Box (pcs)	Carton (pcs)
JDA-120-30A	101 ( 4" )	29.5	42	6.5	11.5	16	4	5	8	30 (1-3/16")	275	Aluminum	Anodized	2	20
JDA-120-40A	133 ( 5-1/4" )	40	53	11	16					40 (1-9/16")	320				
JDA-180-30A	101 ( 4" )	29.5	42	6.5	11.5					30 (1-3/16")	407				
JDA-180-40A	133 ( 5-1/4" )	40	53	11	16					40 (1-9/16")	466				
JDA-180-50A	157 ( 6-3/16" )	48.5	60	19.5	24.5					50 (1-31/32")	510				
JDA-120-36S	133 ( 5-1/4" )	40	53	11	16	17	2.5	5.5	9	36 (1-13/32")	555	304 Stainless Steel	Satin		
JDA-180-38S						18	3			38 (1-1/2")	947				

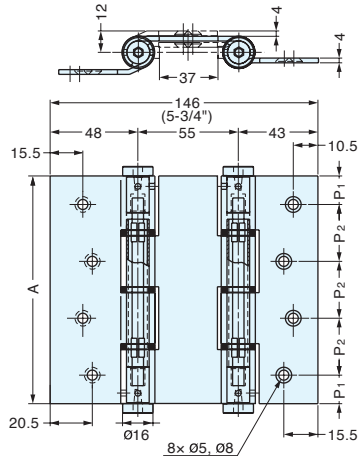
# DOUBLE ACTION SPRING HINGE



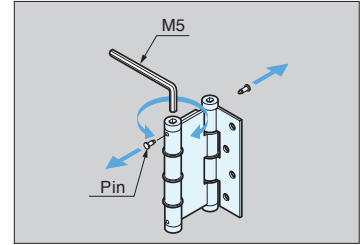
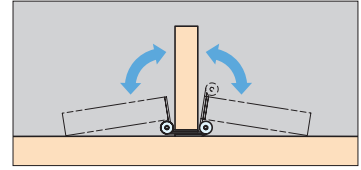
**JDAW**



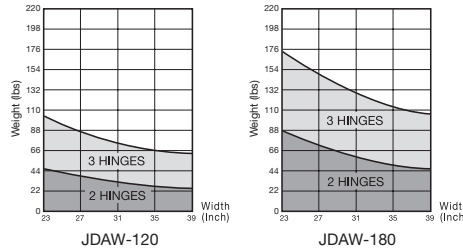
JDAW-120-35A



- Spring loaded for self closing.
- Adjustable spring tension.



Spring Adjustment



Item No.	A	P <sub>1</sub>	P <sub>2</sub>	Door Thickness	Weight (g)	Box (pcs)	Carton (pcs)	Material	Finish
JDAW-120-35A	120 (4-3/4")	15	30	35 mm (1-3/8")	350	2	20	Aluminum	Anodized
JDAW-180-35A	180 (7-1/16")	22.5	45						

## OTHER SPRING HINGES FOR SMALL DOORS AND CABINETRY



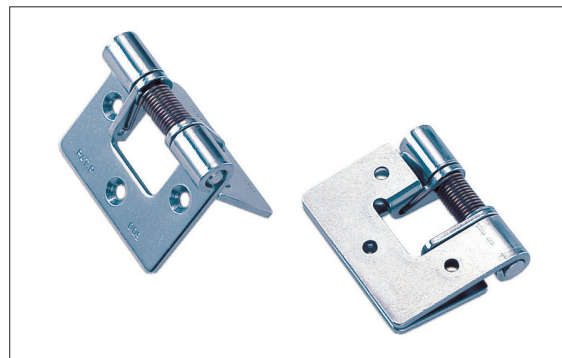
HG-SH P. 221



SH P. 221



HG-PV60AC P. 223



HG-BF3 P. 223

# ZweiL Glass Door Hinge



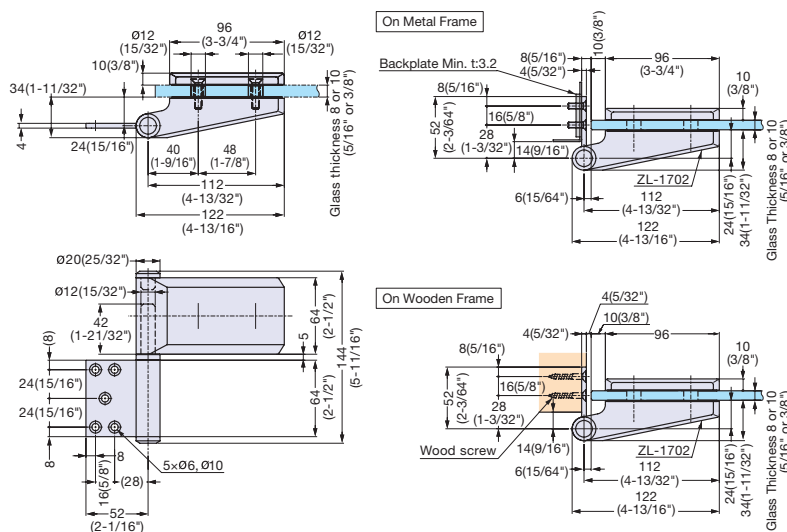
## ZL-1702

HINGES

GLASS DOOR HINGES



- Supplied with stainless steel wood screw (4.8 x 32) and stainless steel screw (M5 x 16).



Cut Out Dimensions

Item No.	Material	Finish/Color	Glass Thickness (mm)	Load Capacity (kg)/pair	Max Door Size (mm)	Weight (g)	Box (pcs)
ZL-1702	316 Stainless Steel	Zwei L	8-10 (5/16"-3/8")	50 (110 lbs)	H2500 x W900 (H98-7/16" x W35-7/16")	806	2

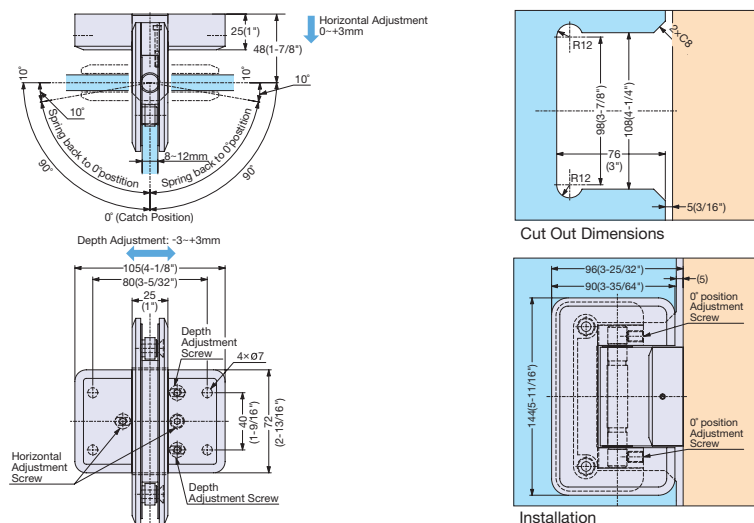
# ZweiL Glass Door Hinge



## ZL-1703



- Supplied with stainless steel screws (6.2 x 56), anchor plug and two allen keys (2.5 and 4 mm).



Item No.	Glass Thickness (mm)	Load Capacity (kg)/pair	Max Door Size (mm)	Weight (g)	Box (pcs)
ZL-1703	8-12 (5/16"-15/32")	65 (143 lbs)	H2500 x W1000 (H98-7/16" x W39-3/8")	-	1

Part Name	Material	Finish/Color
Bracket	316 Stainless Steel	Zwei L
Face Plate		
Bracket Cover		
Gasket	Synthetic Rubber	Black

# GLASS DOOR GRAVITY HINGE

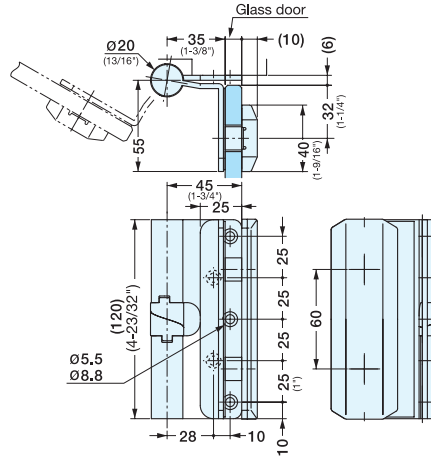


# XL-GH02-120

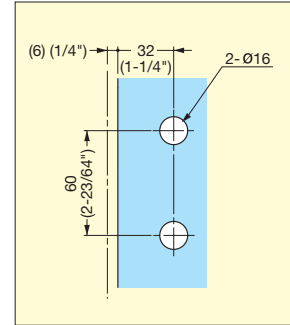


XL-GH02-120R is shown.

- Glass hinge with self closing feature.
- Stainless steel construction suitable for shower doors.
- Door will self close up to opening angle 170°.
- Door will stay open beyond 170°.
- Door moves up Max. 5 mm (3/16") at opening angle 90° or Max. 10 mm (3/8") at 170°.
- Door Size: Max. W750 mm x H2000 mm (W29-1/2" x H78-47/64")
- Door Weight: Max. 45 kg/pair (99 lbs/pair)
- Sold in pairs.



Left-Hand Opening is shown.



Cut Out Dimensions

Item No.	Glass Thickness (mm)	Weight (g)/pair	Box (pair)	Carton (pair)
XL-GH02-120L	10~12	1200	1	5
XL-GH02-120R	(3/8"~1/2")			

Material	Finish
304 Stainless Steel	Mirror

# GLASS DOOR GRAVITY HINGE

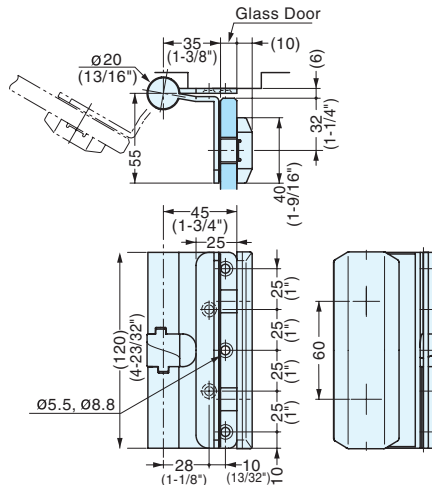


# XL-GH02F-120

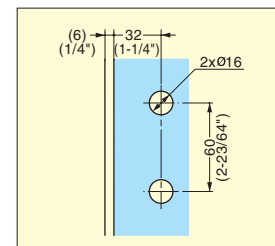
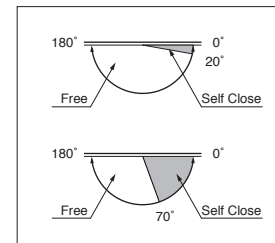


XL-GH02F-120R is shown.

- Glass hinge with self closing feature.
- Stainless steel construction suitable for shower doors.
- Self-close range can be changed and door will self close at opening angle 20° or 70°.
- Door moves up Max. 1.5 mm (1/16") at opening angle 20° or Max. 5 mm (3/16") at 70°.
- Door Size: Max. W750 mm x H2000 mm (W29-1/2" x H78-47/64")
- Door Weight: Max. 45 kg/pair (99 lbs/pair)
- Sold in pairs.



Left-Hand Opening is shown.



Cut Out Dimensions

Item No.	Glass Thickness (mm)	Weight (g)/pair	Box (pair)	Carton (pair)
XL-GH02F-120L	10~12	1200	1	5
XL-GH02F-120R	(3/8"~1/2")			

Material	Finish
304 Stainless Steel	Mirror

# GLASS DOOR GRAVITY HINGE

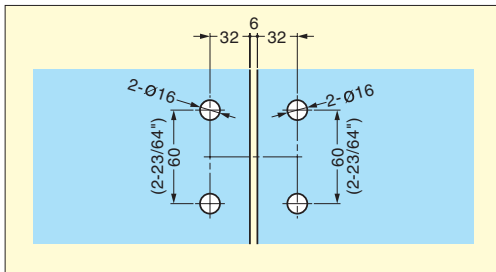
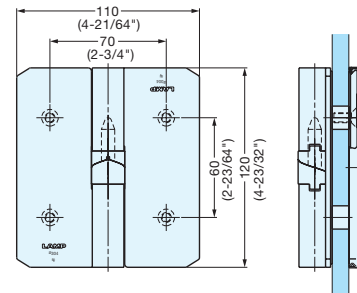
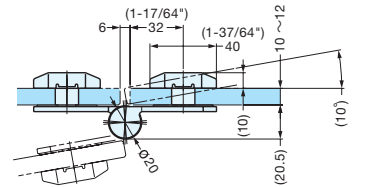


## XL-GH05-120



XL-GH05-120R is Shown

- Glass hinge with self closing feature.
- Stainless steel construction suitable for shower doors.
- Door will self close up to opening angle 170°.
- Door will stay open beyond 170°.
- Door moves up Max. 5 mm (3/16") at opening angle 90° or Max. 10 mm (3/8") at 170°.
- Door Size: Max. W750 mm x H2000 mm (W29-1/2" x H78-47/64")
- Door Weight: Max. 45 kg/pair (99 lbs/pair)
- Sold in pairs.



Cut Out Dimensions

Item No.	Glass Thickness (mm)	Weight (g)/pair	Box (pair)	Carton (pair)
XL-GH05-120L	10~12	1200	1	5
XL-GH05-120R	(3/8" ~ 1/2")			

Material	Finish
304 Stainless Steel	Mirror

# GLASS DOOR GRAVITY HINGE

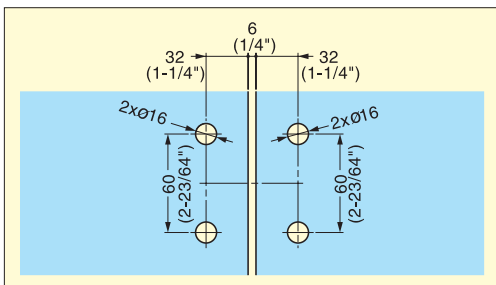
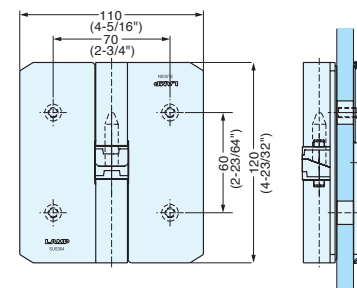
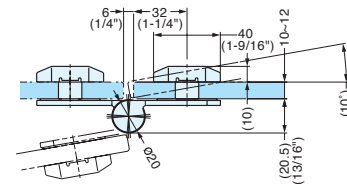


## XL-GH05F-120

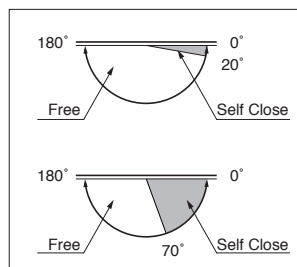


XL-GH05F-120R is Shown

- Glass hinge with self closing feature.
- Stainless steel construction suitable for shower doors.
- Door Size: Max. W750 mm x H2000 mm (W29-1/2" x H78-47/64")
- Door Weight: Max. 45 kg/pair (99 lbs/pair)
- Sold in pairs.
- Self-close range can be changed and door will self close at opening angle 20° or 70°.
- Door moves up Max. 1.5 mm (1/16") at opening angle 20° or Max. 5 mm (3/16") at 70°.



Cut Out Dimensions



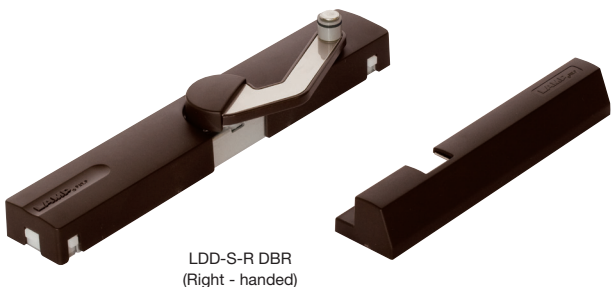
Item No.	Glass Thickness (mm)	Weight (g)/pair	Box (pair)	Carton (pair)
XL-GH05F-120L	10~12	1200	1	5
XL-GH05F-120R	(3/8" ~ 1/2")			

Material	Finish
304 Stainless Steel	Mirror

# LAPCON DOOR DAMPER (SURFACE MOUNT TYPE)



**LDD-S**

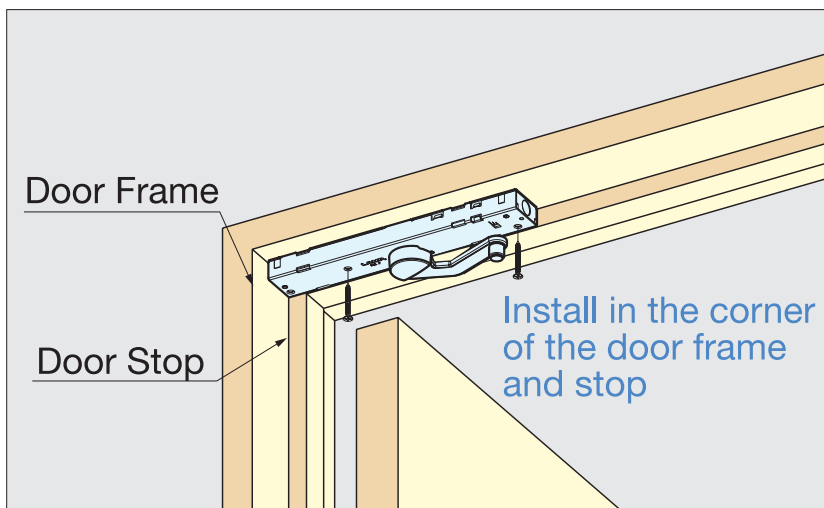
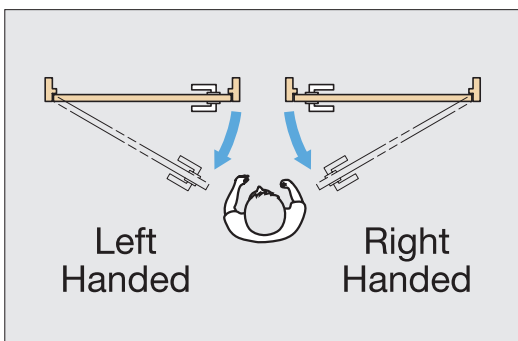
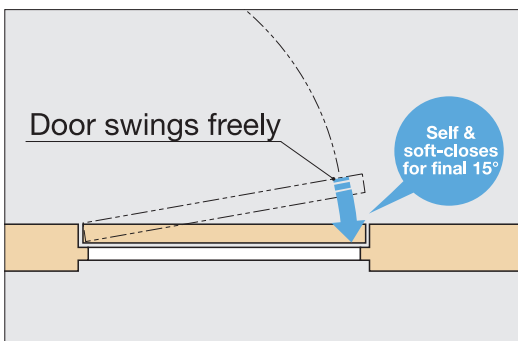
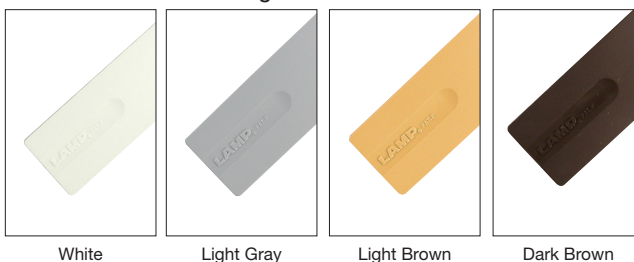


LDD-S-R DBR  
(Right - handed)

- Door damper unit for interior, swinging doors.
- Grips door at final 15° and softly, self-closes doors more gently compared to other door closers, putting less stress on the hinges.
- Surface mounting allows hardware to be added to existing doors.
- Recommended Door Specifications:  
Width: Max. 914 mm (3' 0")  
Weight: 15~40 kg (33~88 lbs)
- Can be adjusted for door weight after installation. Damper function can also be switched off.
- Slim, unobtrusive design: damper unit is just 3/4" high, easily fitting most door frames.
- Available in 4 colors to match your door, specify White (WT), Light Grey (LGR), Light Brown (LBR), or Dark Brown (DBR).
- Can be used with HES hinges (P.180~187), sold separately.
- Includes screws for installation.



■ Available in the following colors:

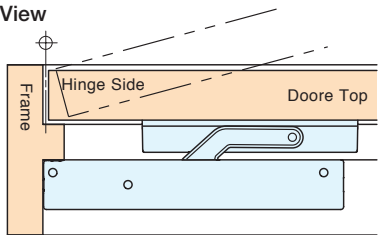


■ Installation & Adjustment

Item No.	Handing	Weight (kg) (1.2 lbs)	Box (pc)	Carton (pcs)	Component	Material	Finish/Color
					LDD-S-L	Left	1
LDD-S-R	Right	Cover Plate					
					Covers	ABS	White (WT), Light Grey (LGR), Light Brown (LBR), Dark Brown (DBR)

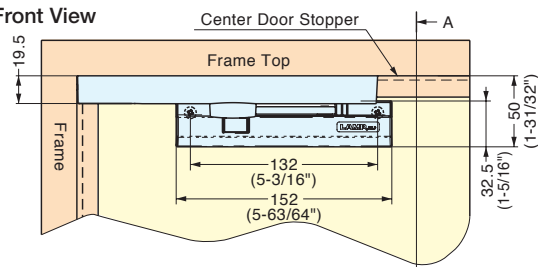


■ Top View

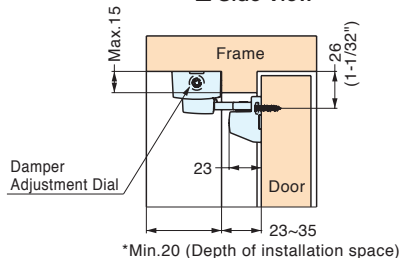


\*Top view shows mounting position of hardware in case of depth of installation space is min. 25 mm (1"). If the dimension is between 20 mm and 25 mm, please move damper 25 mm away from hinge side. Then please use screw hole C and Extra hole to install damper instead of screw hole B.

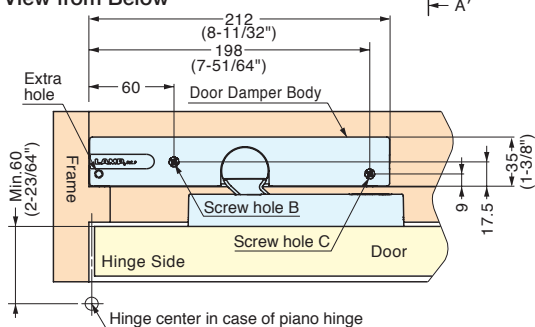
■ Front View



■ Side View



■ View from Below

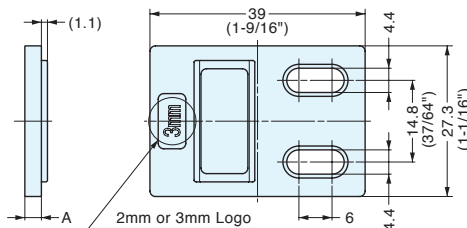


Please take the following precautions when considering this hardware for your application:

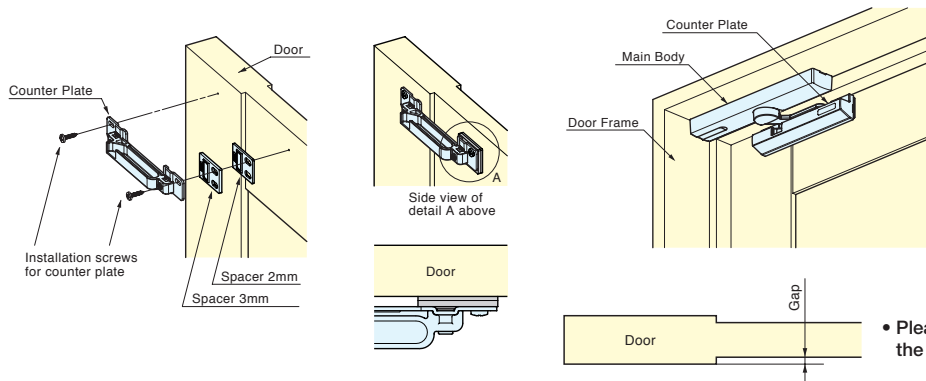
- For interior use at room temperature (32~104°F, 0~40°C) only-not intended for use under high winds, high temperature or humidity, or where the hardware may get wet.
- Do not intentionally slam door shut-effectiveness may decrease over time if door is closed more strongly than necessary on a regular basis.
- Closing performance may vary depending on door latch bolt.
- If being used at the entrance of a room where air cannot move freely (vault, cellar, etc.), the ambient air pressure may affect the closing speed and power of the hardware.
- Do not hang on/hang anything on the arm as it may damage the hardware.
- Please read the installation instructions included with the hardware fully before installation.
- After installation and during normal use, please check the fasteners and hardware on a regular basis.

SPACER FOR LDD-S

LDD-S-P



- Spacer to install LDD-S counter plate (P. 200, sold separately) on uneven door surfaces, such as those on panel doors.
- Available in 2 mm (1/16") and 3 mm (1/8") thicknesses. Mix and match spacers for varying thicknesses.
- Spacers still allow micro adjustments to be made for the main unit.



- Please confirm difference between the face of the door panel, etc.

Item No.	A	Weight (g)	Box (pcs)	Carton (pcs)	Material	Color
LDD-S-P2 BL	2 mm (1/16")	1.8	100	1000	ABS	Black
LDD-S-P3 BL	3 mm (1/8")	2.8				

# LAPCON DOOR DAMPER (RECESSED TYPE)



# LDD-V

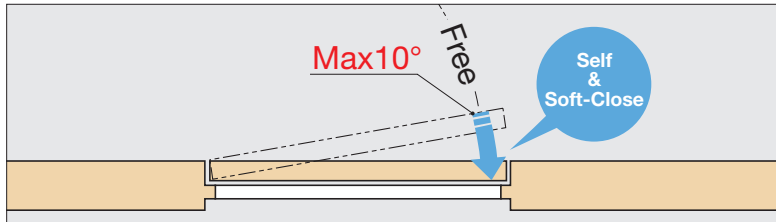
DOOR ACCESSORIES

LAPCON DOOR DAMPERS

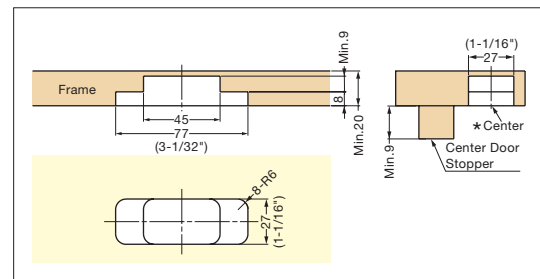
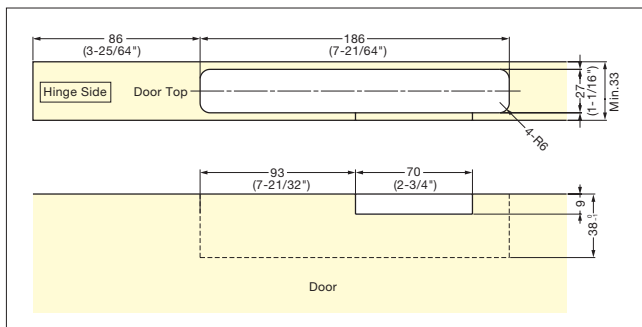
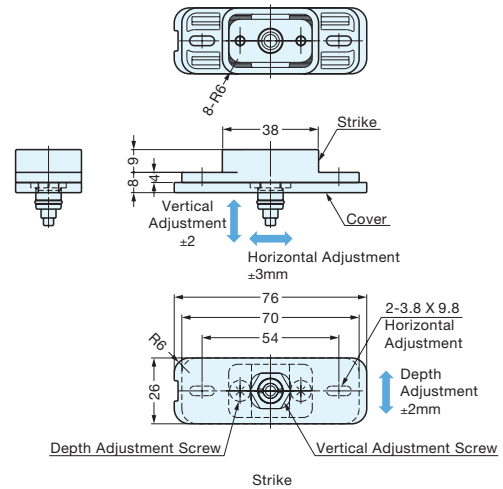
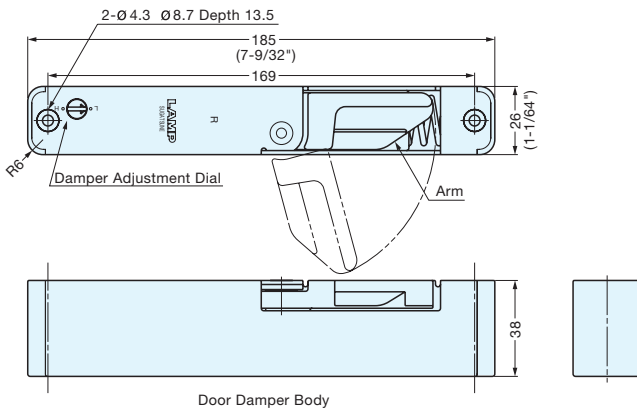


- Door damper unit for interior, swinging doors. Grips door at final 10° and softly, self-closes doors more gently compared to other door closers, putting less stress on the hinges.
- “Invisible” design minimizes visibility of the hardware.
- Recommended Door Specifications:  
Thickness: minimum 33 mm (1-5/16")  
Width: maximum 914 mm (3' 0")  
Weight: 15-40 kg (33-88 lbs)
- Can be adjusted for door weight after installation. Counterplate position can be easily adjusted by removing cover and turning micro-adjustment screws.
- Can be used with HES hinges (P.180-187), sold separately.
- Includes screws and paper template for installation.

LDD-V-R is shown



LDD-V-R is shown



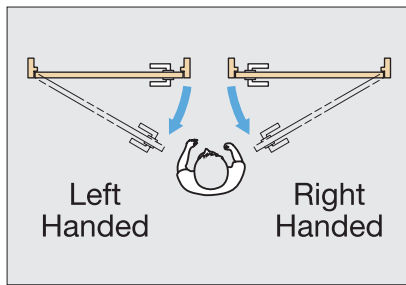
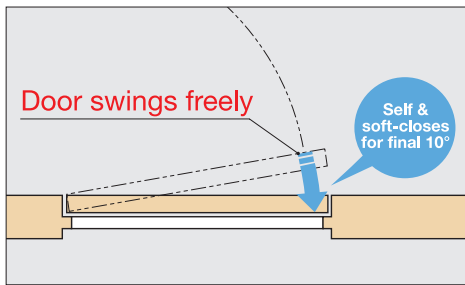
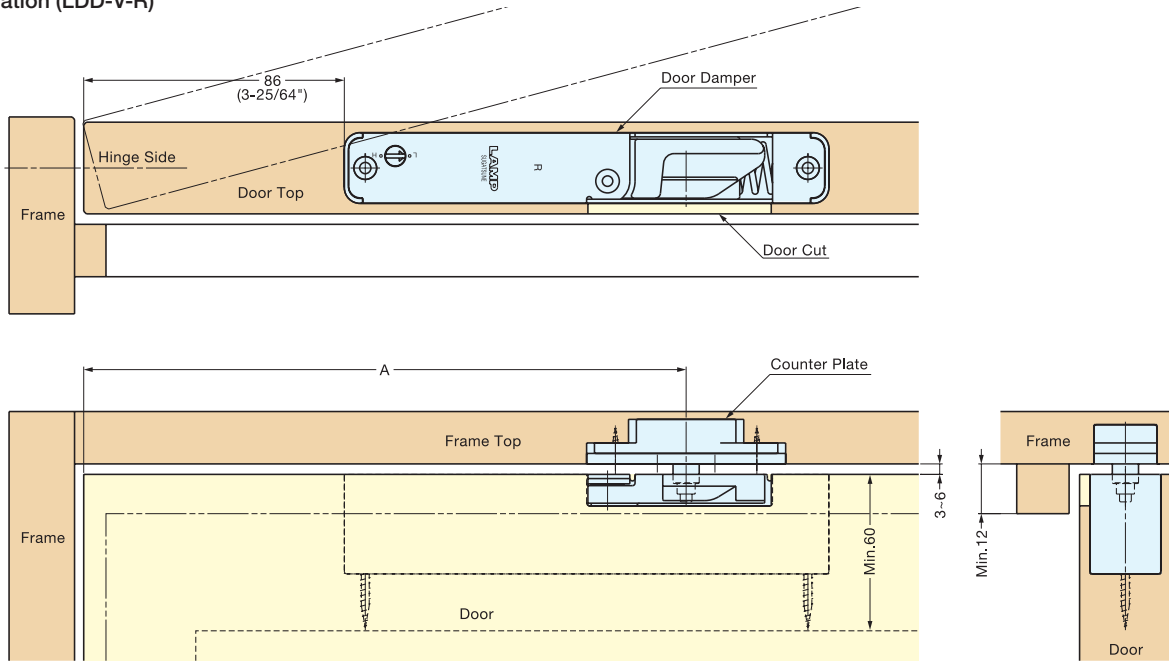
Bore Dimensions (Door)

Bore Dimensions (Frame)

Part Name	Material	Finish/Color
Main Body	Steel/Polyacetal/PBT	Chromate/Grey
Counter Plate	Steel/Polyacetal	Nickel/Grey

Item No.	Type	Door Weight	Door Width (mm)	Door Thickness (mm)	Box (pc)	Carton (pcs)
LDD-V-R	Right	15-40 kg (33-88 lbs)	Max. 914 (3' 0")	Min. 33 (1-19/64")	1	24
LDD-V-L	Left					

Installation (LDD-V-R)



Hinge	A
HES3D-120	219
HES3D-V135LGR	217
HES3D-160	220
HES3D-190	220
3535/SS	223

\*Dimension A depends on type of hinge used

Please take the following precautions when considering this hardware for your application:

- For interior use at room temperature (32~104°F, 0~40°C) only-not intended for use under high winds, high temperature or humidity, or where the hardware may get wet.
- Do not intentionally slam door shut-effectiveness may decrease over time if door is closed more strongly than necessary on a regular basis.
- Closing performance may vary depending on door latch bolt.
- If being used at the entrance of a room where air cannot move freely (vault, cellar, etc.), the ambient air pressure may affect the closing speed and power of the hardware.
- Do not hang on/hang anything on the arm as it may damage the hardware.
- Please read the installation instructions included with the hardware fully before installation.
- After installation and during normal use, please check the fasteners and hardware on a regular basis.

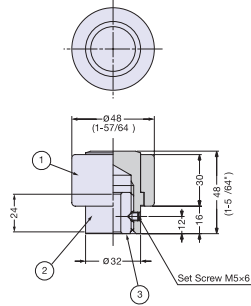


# ZweiL Door Stopper



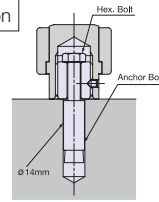
ZL-1801

DOOR ACCESSORIES

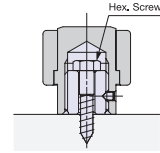


• Supplied with stainless steel hex. bolt (M8 × 75), concrete anchor (for M8, ø14 mm hole), stainless steel carriage bolt (M8 × 50) and allen key.

Concrete, Tile, Brick Floor Installation



Wood Floor Installation



Item No.	Weight (g)	Box (pc)
ZL-1801	381	1

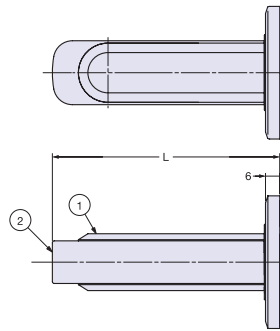
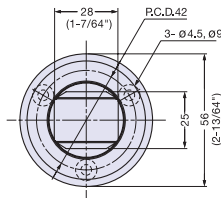
No.	Part Name	Material	Finish
①	Body	316 Stainless Steel	Zwei L
②	Bumper	Synthetic Rubber	Black
③	Base	316 Stainless Steel	Plain

# ZweiL Door Stopper



ZL-1802

DOOR STOPPERS



• Supplied with stainless steel wood screws (4.1 × 32) and concrete anchor (for wood screw 4.1, ø6 mm hole).

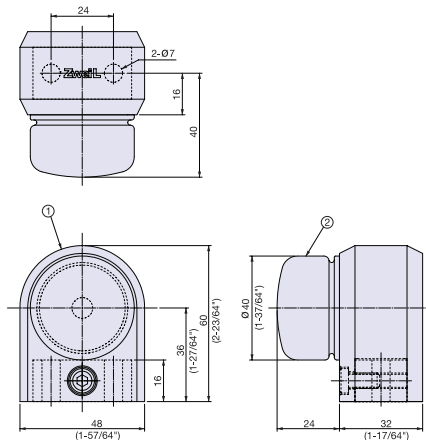
Item No.	L	Weight (g)	Box (pc)
ZL-1802-72	72 (2-53/64")	360	1
ZL-1802-96	96 (3-25/32")	474	

No.	Part Name	Material	Finish/Color
①	Body	316 Stainless Steel	Zwei L
②	Bumper	Synthetic Rubber	Black

# ZweiL Door Stopper



ZL-1803



• Supplied with stainless steel wood screw (6.2 × 56), anchor plug and 4 mm allen key.

Item No.	Weight (g)	Box (pcs)
ZL-1803	-	1

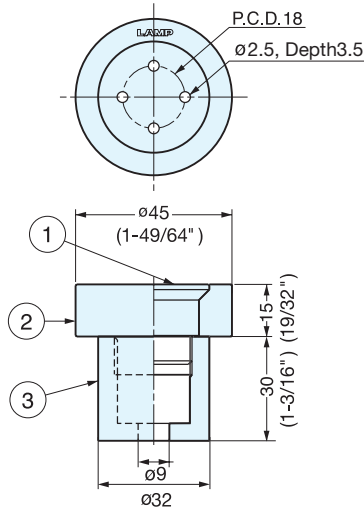
No.	Part Name	Material	Finish
①	Body	316 Stainless Steel	Zwei L
②	Bumper	EPDM	Grey

# DOOR STOPPER



# HT-32P

- Door stopper with a clear acrylic bumper.
- Supplied with stainless steel screw 8 x 50, anchor plug and special wrench.



Item No.	Weight (g)	Box (pc)	Carton (pcs)
HT-32P	320	1	30

No.	Part Name	Material	Finish
①	Face Plate	304 Stainless Steel	Satin
②	Bumper	Soft Acrylic	Clear
③	Post	304 Stainless Steel	Satin

# DOOR STOPPER

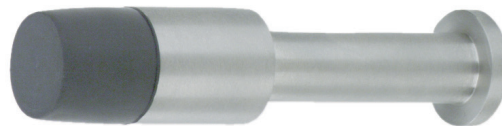


# DSD

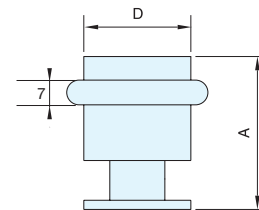
- Supplied with screw and plastic expansion anchor.



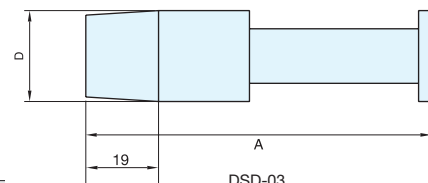
DSD-02 (Floor-Mount Type)



DSD-03 (Wall-Mount Type)



DSD-02



DSD-03

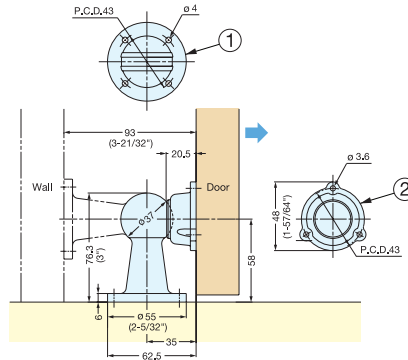
Item No.	D	A	Weight (g)	Box (pcs)	Carton (pcs)
DSD-02/S	20 (25/32")	35 ( 1-3/8" )	68	25	250
DSD-02/L	35 (1-3/8")	50 (1-31/32")	281	10	100
DSD-03/S	25 (63/64")	65 (2-9/16")	147		
DSD-03/M		95 (3-47/64")	187		
DSD-03/L		125 (4-39/64")	229		

Material	Finish
303/304 Stainless Steel	Satin

## DOOR STOP & HOLDER



### SMDH



- Holds door in opened position with strong magnet.
- Can be mounted on either floor or wall.

Anchor Bolt Fixing Accessories (Optional)

Item No.
ANCHOR-SMDH

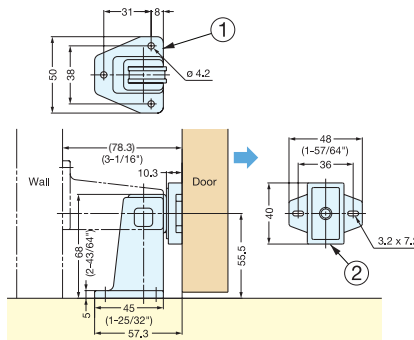
Item No.	Magnetic Force	Weight (g)	Box (pcs)	Carton (pcs)
SMDH/IVY	14 (30.8 lbs)	140	10	100
SMDH/BRN				

No.	Material	Color
①	Polycarbonate	Brown (BRN), Ivory (IVY)
②	ABS	

## DOOR STOP & HOLDER



### KMDH



- Holds door in opened position with strong magnet.
- Can be mounted on either floor or wall.

Anchor Bolt Fixing Accessories (Optional)

Item No.
ANCHOR-KMDH

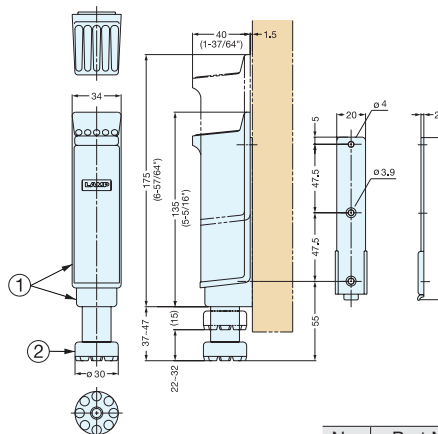
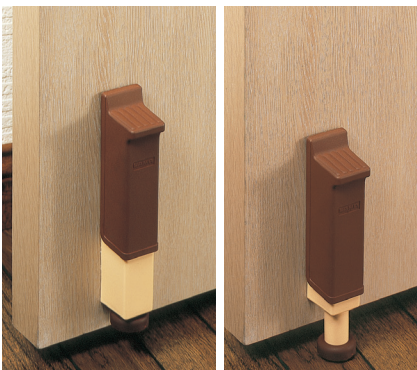
Item No.	Magnetic Force	Weight (g)	Box (pcs)	Carton (pcs)
KMDH/IVY	12 (26.4 lbs)	100	10	100
KMDH/BRN				

No.	Material	Color
①	Polyamide	Brown (BRN), Ivory (IVY)
②		

## STEP-ON DOOR HOLDER



### SODH



- Holds door in any position.
- Easy to operate. Simply step on the top to hold or release the door.
- Easy installation, mount the bracket and slide-in the body.

Item No.	Weight (g)	Box (pc)	Carton (pcs)
SODH	215	10	50

No.	Part Name	Material	Color
①	Body	Plastic	Brown, Ivory
②	Bottom	Rubber	Brown

DOOR CLOSER

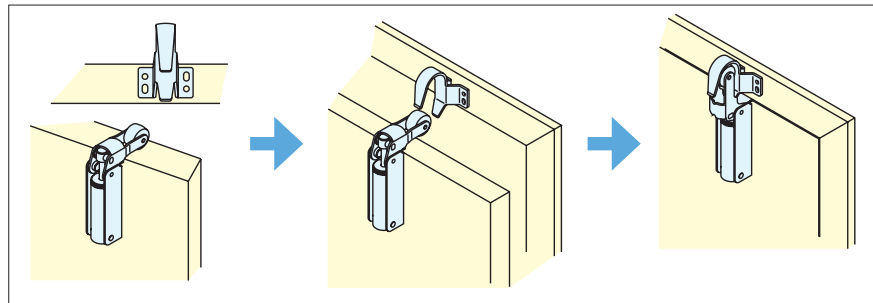
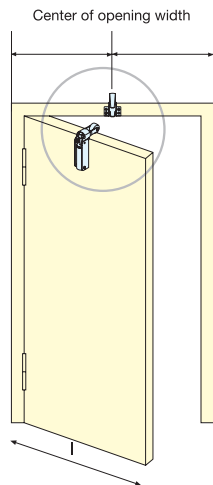
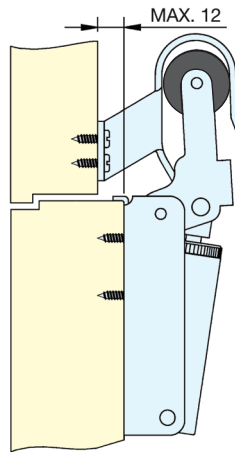
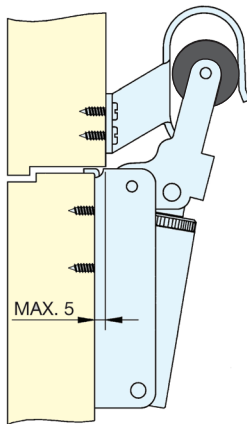
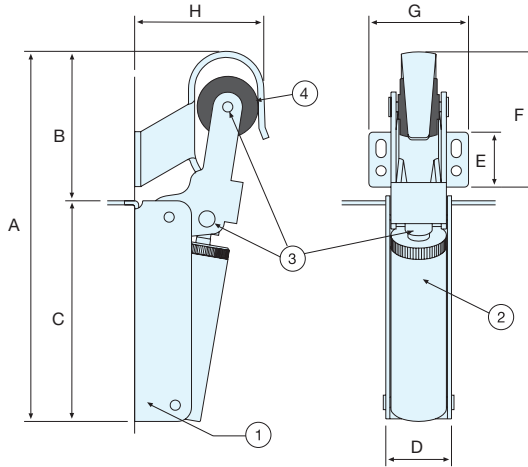


JFR

DOOR ACCESSORIES

DOOR CLOSERS

- Stainless steel hydraulic door closer.
- Bracket arm will catch the roller for self closing at about 10°.
- Silent operation.
- Hydraulic cylinder absorbs shock, preventing the door from slamming shut.
- Easy surface-mount installation, ideal for retro-fit.



No.	Part Name	Material	Finish/Color
①	Body	304 Stainless Steel	Polished
②	Cylinder	Aluminum	Silver
③	Pin/Shaft	Steel	Plain
④	Roller	Nitrile Butadiene Rubber	Black

Item No.	A	B	C	D	E	F	G	H	I	Door Weight (kg)	Weight (g)	Box (pcs)	Carton (pcs)
JFR-021205	200 (7-7/8")	75	125 (4-59/64")	36	27	66.5	49 (1-15/16")	64	1100 (43-5/16")	Max.80 (176 lbs)	598	1	24