



HOOKS

HOOKS
LATCH HOOKS
SWING HOOKS
HANGER PLATES
VANITY HOOKS
MAGNET HOOKS
COAT HOOKS

Zwei L HOOKS

Picture	Item No.	Load Capacity (lbs)	Page
	ZL-2101	81	385
	ZL-2102	66	385
	ZL-2103	-	386
	ZL-2104-10, 16	36-107	386
	ZL-2105	-	387
	ZL-3401-10, 16, 25	45-90	387

LARGE HOOKS

Picture	Item No.	Load Capacity (lbs)	Page
	JF-45, 70, 110	22-26	388
	JF-50, 80, 120	26-48	388
	JFT-180, 260	22-33	389
	XL-CUJ	30-42	389
	XL-CUF	33-70	389
	XL-SB210	83	390
	XL-SF115	83	390



ZL-2104



EU

SMALL HOOKS

Picture	Item No.	Load Capacity (lbs)	Page
	DS-H-50, 60	22	391
	KB-H-35, 40	35	391
	TA-3	35	391
	XL-HJT	17.6-22	392
	HJT	17.6-22	392
	EU	44-66	392
	EW-65E, 80E	44	393
	EL-25, 30	44	393
	EP-25, 40	44	393
	FC-50, 65	22-26	393
	RN-50	20	396
	RI-074	11	396
	RB-102	-	396
	HJ	17.6-22	397
	2H	13.2-22	397
	HJU	17.6-22	397
	KB-F-70	-	398
	KB-F-75	-	398
	TY	6.6-17.6	399
	TF	6.6-26	399
	TL	11-26	399
	PF	4.4	400
	CH	11-17.6	400
	BH	11	400

LATCH HOOKS

Picture	Item No.	Load Capacity (lbs)	Page
	EN-R100F	132	394
	EN-R80-K	44	394
	EN-K	44-132	395
	EN-R80	44	395
	WH	33	395

SWING HOOKS

Picture	Item No.	Load Capacity (lbs)	Page
	JF-T (W/FRICTION)	22	401
	JN-T100	22	401
	TK (W/FRICTION)	17-26	402
	TZ-360 (BUTTERFLY)	6.6-13.2	402
	DZ-270	6.6-17.6	402
	RF-D35	11.7-23.4	403
	RF-U50	13	403
	RF-50	6.6	403
	XL-JSF40TT	110	404
	UC	12-14	404
	UJ	14-19	404
	EY-R (PAD EYE)	1100-2640	407

HANGER PLATES

Picture	Item No.	Load Capacity (lbs)	Page
	AP	22	405
	SP	22	405

RECESSED HOOKS

Picture	Item No.	Load Capacity (lbs)	Page
	NF-60	44	406
	NF-60D (Soft-Closing)	44	406
	NF-R64	44	407

VANITY HOOKS / MAGNET HOOKS

Picture	Item No.	Load Capacity (lbs)	Page
	SSF	12.8	408
	MJ-45	4.4	408

COAT HOOKS

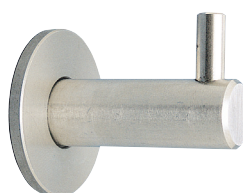
Picture	Item No.	Load Capacity (lbs)	Page
	DSH-01	22	409
	DSH-04	22	409
	DSH-05	22	409
	DSH-02	22	410
	DSH-03	22	410
	DSH-129	22	411
	DSH-P5	22	411



EN-K



DSH-03



DSH-01



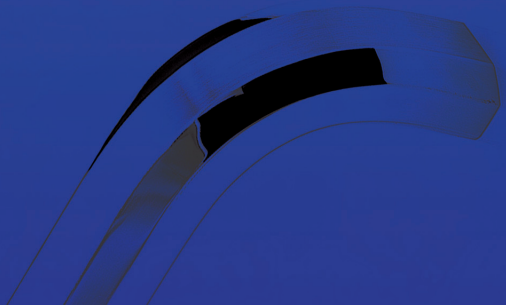
NF-R64

HOOKS

HOOKS



Zwei L[®]



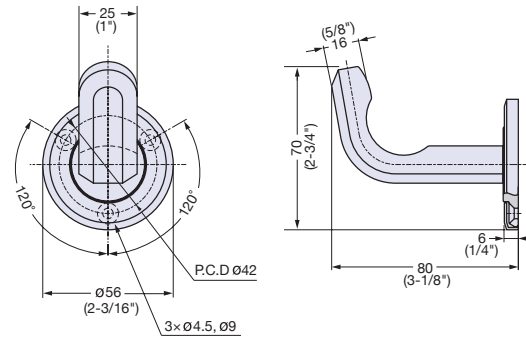
ZweiL Hook



ZL-2101



- Supplied with stainless steel wood screws (4.1 × 32) and concrete anchor (for wood screw 4.1, ø6 mm hole).



Item No.	Material	Finish/Color	Load Capacity (kg)	Weight (g)	Box (pcs)
ZL-2101	316 Stainless Steel	Zwei L	37 (81 lbs)	381	1

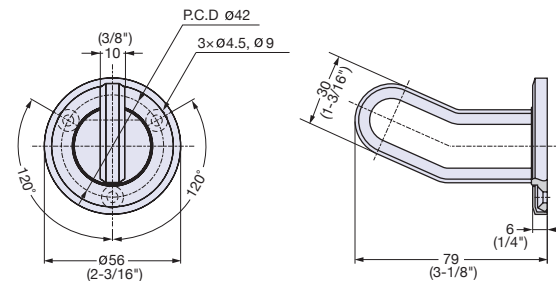
ZweiL Hook



ZL-2102



- Supplied with stainless steel wood screws (4.1 × 32) and concrete anchor (for wood screw 4.1, ø6 mm hole).



Item No.	Material	Finish/Color	Load Capacity (kg)	Weight (g)	Box (pcs)
ZL-2102	316 Stainless Steel	Zwei L	30 (66 lbs)	221	1

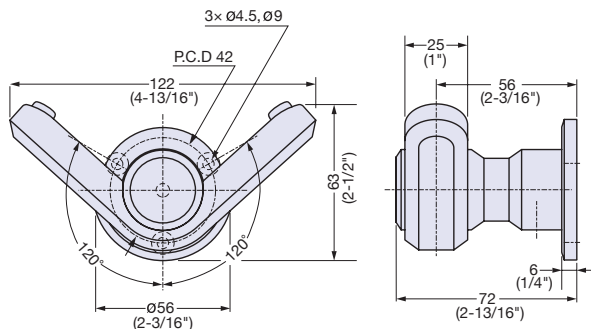
ZweiL Hook



ZL-2103



- Supplied with stainless steel wood screws (4.1 × 32), anchor plug and 3 mm allen key.



No.	Part Name	Material	Finish/Color
①	Hook	316 Stainless Steel	Zwei L
②	Cover		
③	Pin		
④	Base Plate		Plain
⑤	Cap	Silicone Rubber	Clear
⑥	Screws	316 Stainless Steel	Plain

Item No.	Load Capacity (kg)	Weight (g)	Box (pcs)
ZL-2103	-	841	1

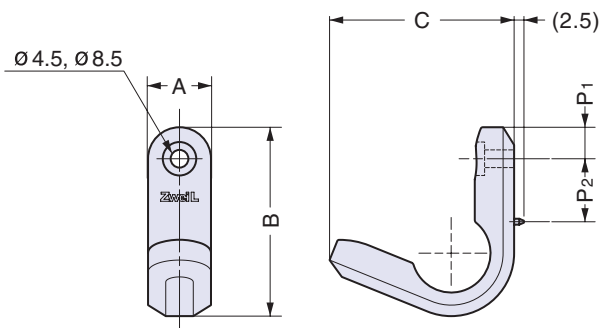
ZweiL Hook



ZL-2104



- Supplied with stainless steel wood screw (4.1 × 32).



Part Name	Material	Finish/Color
Body	316 Stainless Steel	Zwei L

Item No.	A	B	C	P1	P2	Load Capacity (kg)	Weight (g)	Box (pcs)
ZL-2104-10	10 (3/8")	29 (1-1/8")	29 (1-1/8")	5	7	16.3 (36 lbs)	-	1
ZL-2104-16	16 (5/8")	47 (1-7/8")	47 (1-7/8")	8	10	48.4 (107 lbs)	-	1

Zwei L Hook

STAINLESS
316
STEEL

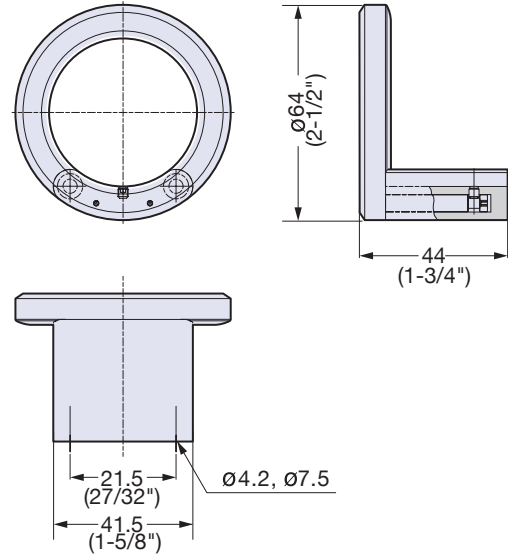
ZL-2105

HOOKS

HOOKS



- Supplied with stainless steel wood screws (4 × 50).



Item No.	Material	Finish/Color
ZL-2105	316 Stainless Steel	Zwei L

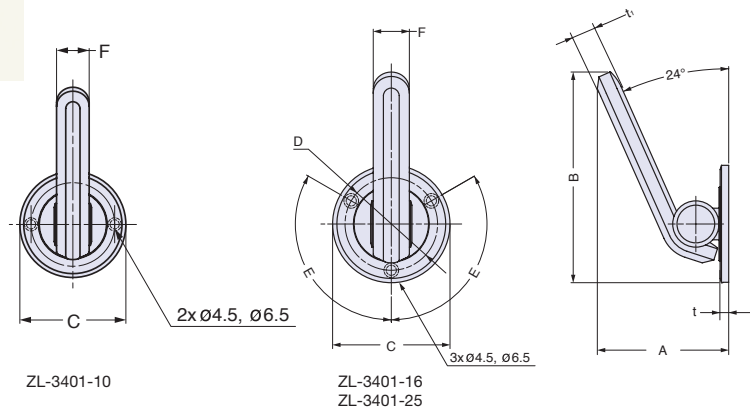
Zwei L Hook

STAINLESS
316
STEEL

ZL-3401



- Supplied with stainless steel wood screws (4 × 30).

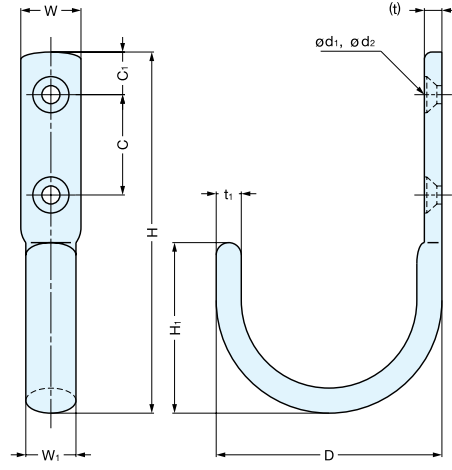


Item No.	Material	Finish Color	A	B	C	D	E	F	t	t ₁	Load Capacity (kg)
ZL-3401-10	316 Stainless Steel	Zwei L	36.7(1-7/16")	60 (2-3/8")	37 (1-7/16")	24.5	90°	10 (13/32")	3.8	6	20.4 (45 lbs)
ZL-3401-16			58 (2-9/32")	93 (3-21/32")	52 (2-1/16")	41	120°	6 (5/8")	3.8	10	30.6 (67 lbs)
ZL-3401-25			91 (3-9/16")	145 (5-23/32")	80 (3-1/8")	65		25 (1")	6	16	40.8 (90 lbs)

LARGE UTILITY HOOK



JF-45, 70, 110



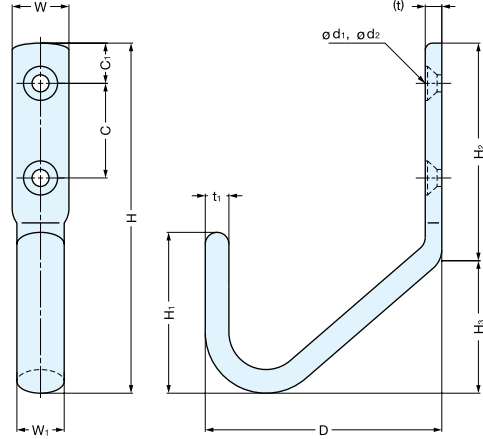
Material	Finish
303 Stainless Steel	Mirror

Item No.	D	W	W ₁	H	H ₁	C	C ₁	t	t ₁	d ₁	d ₂	Load Capacity (kg)	Weight (g)	Box (pcs)	Carton (pcs)	Screw
JF- 45	45 (1-25/32")	12	10	72 (2-27/32")	34	20	8.5	3.5	5	3.8	7.2	10 (22 lbs)	40	20	120	3.5 x 16
JF- 70	68 (2-11/16")	16	13	120 (4-23/32")	55	35	15	4	6	4.3	8.6	12 (26 lbs)	95	6	36	4.1 x 20
JF-110	110 (4-21/64")	18	14	200 (7-7/8")	90	70	17	5.5	8	5.3	10.6	12 (26 lbs)	270	5	30	5.1 x 32

LARGE UTILITY HOOK

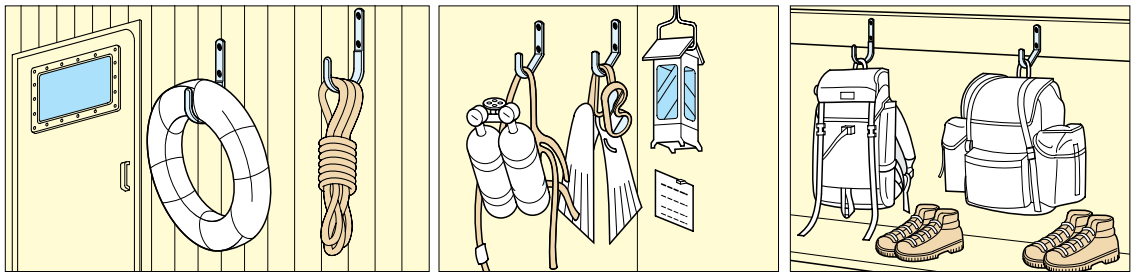


JF-50, 80, 120



Material	Finish
303 Stainless Steel	Mirror

Item No.	D	W	W ₁	H	H ₁	H ₂	H ₃	C	C ₁	t	t ₁	d ₁	d ₂	Load Capacity (kg)	Weight (g)	Box (pcs)	Carton (pcs)	Screw
JF- 50	50 (1-31/32")	12	10	74 (2-29/32")	34	46	28	20	8.5	3.5	5	3.8	7.2	12 (26 lbs)	40	20	120	3.5 x 16
JF- 80	80 (3-5/32")	16	13	115 (4-17/32")	50	65	50	30	15	4	6	4.3	8.6	20 (44 lbs)	95	6	36	4.1 x 20
JF-120	120 (4-23/32")	18	14	200 (7-7/8")	90	112	88	70	17	5.5	8	5.3	10.6	22 (48 lbs)	260	5	30	5.1 x 32

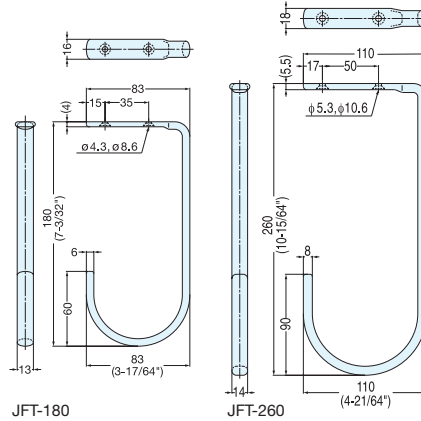


Installation

LARGE UTILITY HOOK



JFT-180, 260



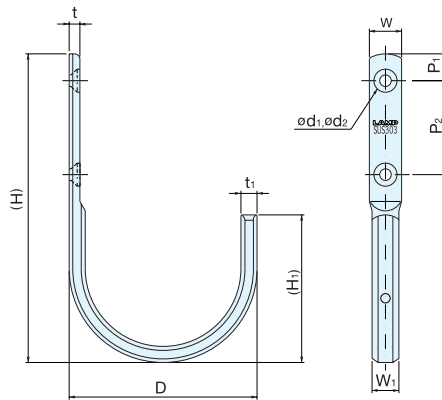
Material	Finish
303 Stainless Steel	Mirror

Item No.	Load Capacity (kg)	Weight (g)	Box (pcs)	Carton (pcs)	Screw
JFT-180	10 (22 lbs)	180	5	30	4.5 × 25
JFT-260	15 (33 lbs)	380			5.1 × 38

LARGE UTILITY HOOK



XL-CUJ



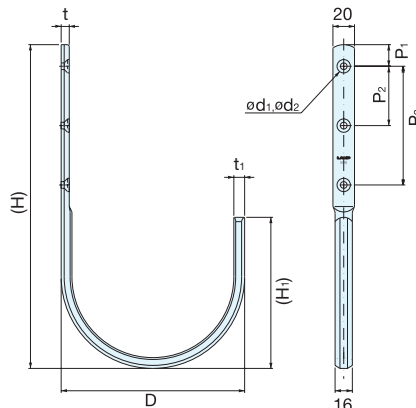
Material	Finish
303 Stainless Steel	Mirror Satin combination

Item No.	D	W	W ₁	(H)	(H ₁)	P ₁	P ₂	t	t ₁	d ₁	d ₂	Load Capacity (kg)	Weight (g)	Box (pcs)	Carton (pcs)	Screw
XL-CUJ-45TT	46 (1-13/16")	12	10	(75) (2-61/64")	(36)	8.5	20	4.5	6	3.8	7.2	19 (42 lbs)	48	20	120	3.5 × 20
XL-CUJ-70TT	72 (2-53/64")			(112) (4-13/32")	(56)	10	35			4.3	8.6	14 (30 lbs)				

LARGE UTILITY HOOK



XL-CUF



Material	Finish
303 Stainless Steel	Mirror Satin combination

Item No.	D	(H)	(H ₁)	P ₁	P ₂	P ₃	t	t ₁	d ₁	d ₂	Load Capacity (kg)	Weight (g)	Box (pcs)	Carton (pcs)	Screw
XL-CUF-110TT	112	198	91	17	-	70	7.5	10	5.2	10.5	32 (70 lbs)	357	5	30	5 × 30
XL-CUF-170TT	173	300	138.5	20	55	110	7.5	10	6.2	12.5	15 (33 lbs)	552		20	6 × 30

LARGE HOOK



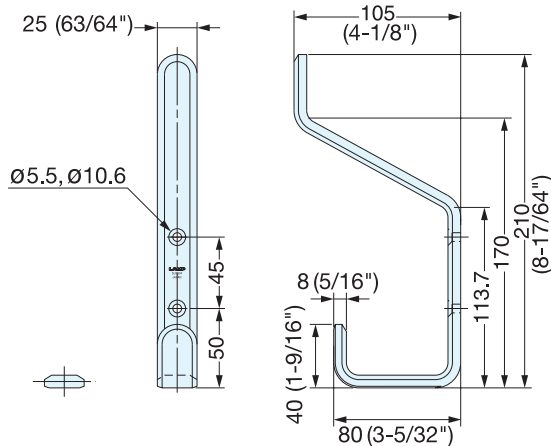
XL-SB210



Mirror

Satin

- Stainless steel hook with dimensional design.
- Two-in-one hook.



Item No.	Load Capacity (kg)		Weight (g)	Box (pcs)	Carton (pcs)
	Upper	Lower			
XL-SB210/M	20 (44 lbs)	38 (83 lbs)	500	2	20
XL-SB210/S					

Material	Finish
304 Stainless Steel	Mirror (M), Satin (S)

LARGE HOOK



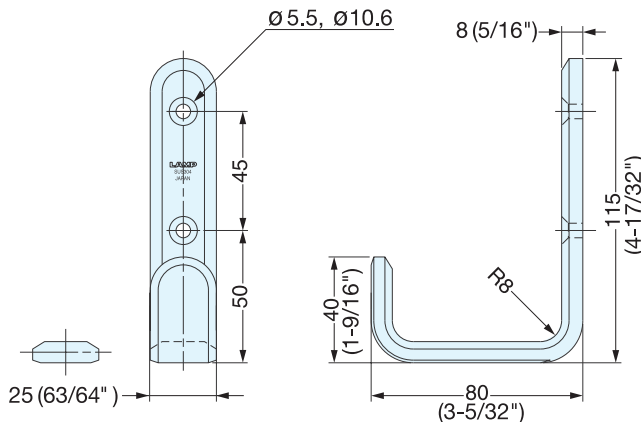
XL-SF115



Mirror

Satin

- Stainless steel hook with dimensional design.



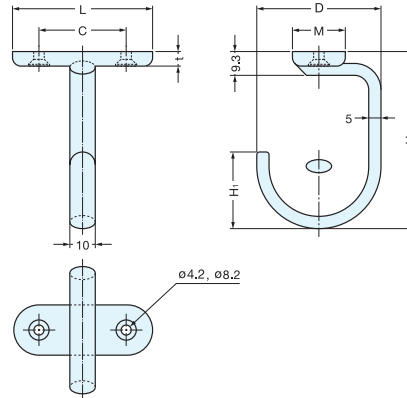
Item No.	Load Capacity (kg)	Weight (g)	Box (pcs)	Carton (pcs)
XL-SF115/M	38 (83 lbs)	280	4	40
XL-SF115/S				

Material	Finish
304 Stainless Steel	Mirror (M), Satin (S)

HOOK



DS-H-50, 60



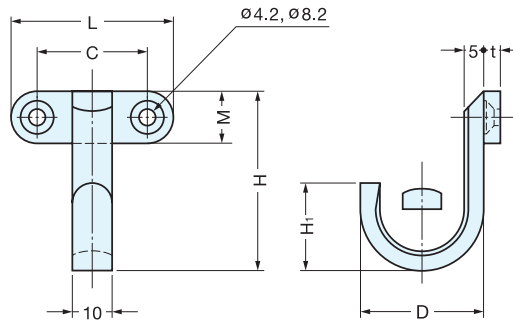
Material	Finish
303 Stainless Steel	Mirror

Item No.	D	C	H	H ₁	L	M	t	Load Capacity (kg)	Weight (g)	Box (pcs)
DS-H-50	50	35	70 (2-3/4")	30	55 (2-5/32")	20	6	10 (22 lbs)	100	5
DS-H-60	60		100 (3-15/16")	40					105	

HOOK



KB-H-35, 40



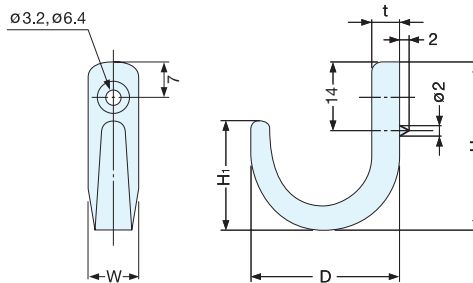
Material	Finish
303 Stainless Steel	Mirror

Item No.	D	C	H	H ₁	L	M	t	Load Capacity (kg)	Weight (g)	Box (pcs)
KB-H-35	35	27	45 (1-25/32")	22	40 (1-37/64")	13	4	16 (35 lbs)	50	10
KB-H-40	40		50 (1-31/32")	25					55	

HOOK



TA-3



Material	Finish
304 Stainless Steel	Mirror

Item No.	D	W	H	H ₁	t	Load Capacity (kg)	Weight (g)	Box (pcs)	Carton (pcs)
TA-3S	22 (7/8")	9	29 (1-9/64")	16	4	16 (35 lbs)	10	30	600
TA-3L	30 (1-3/16")	10	34 (1-11/32")	22	5.5		19	20	400

HOOK

LOAD CAPACITY
8-10 kg
17.6-22 lbs

4.1x16
STAINLESS

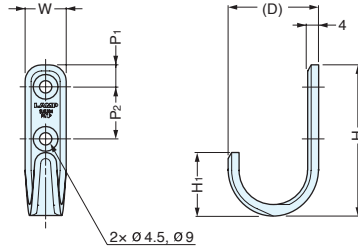
STAINLESS 304 STEEL

XL-HJT



Mirror

Mirror and Satin combination



- 304 stainless steel hooks.
- Available in Mirror (M) or Combination of Mirror and Satin (TT) finish.

Item No.	D	W	H	H ₁	P ₁	P ₂	Load Capacity (kg)	Weight (g)	Box (pcs)	Carton (pcs)
XL-HJT-55/M	33	15	55	23	8	19	10 (22 lbs)	34	30	300
XL-HJT-55/TT		15.5								
XL-HJT-70/M	43	18	70	30	10	23	8 (17.6 lbs)	53	20	200
XL-HJT-70/TT		18.5								

Material	Finish	
	M	TT
304 Stainless Steel	Mirror	Mirror and Satin Combination

HOOK

RoHS

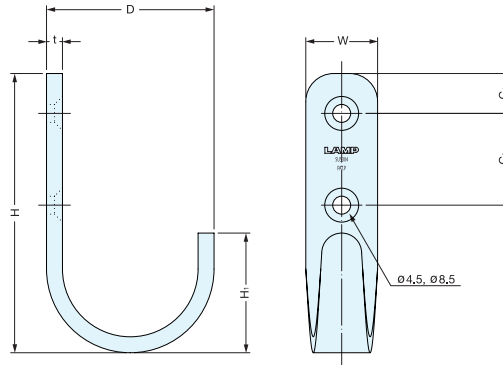
TEST 4
P.658

LOAD CAPACITY
8-10 kg
17.6-22 lbs

4.1x16
STAINLESS

STAINLESS 304 STEEL

HJT



- 4mm thick material designed for excellent durability.

Item No.	D	H	H ₁	t	W	C ₁	C ₂	Load Capacity (kg)	Weight (g)	Box (pcs)	Carton (pcs)
HJT-55	33	55	23	4	15	8	19	10 (22 lbs)	34	30	300
HJT-70	43	70	30	4	18	10	23	8 (17.6 lbs)	53	20	200

Material	Finish
304 Stainless Steel	Satin

FORK HOOK

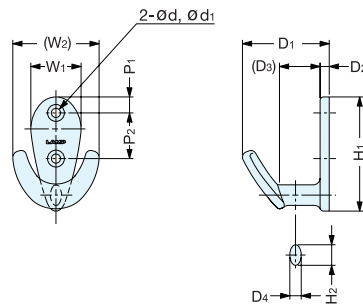
RoHS

LOAD CAPACITY
20-30 kg
44-66 lbs

4.1x20
3.5x20
STAINLESS

STAINLESS 316 STEEL

EU



- Hook with unique design.
- Can hang 3 items at the same time: two on the tips and one on the neck.
- Two-tip shape ideal to hang hats, caps etc.

Item No.	W ₁	W ₂	D ₁	D ₂	(D ₃)	D ₄	H ₁	H ₂	d	d ₁	P ₁	P ₂
EU-50	22	38 (1-1/2")	38 (1-1/2")	4	17.8	5	50 (1-31/32")	9	4	7.4	7	20
EU-72	32	56 (2-13/64")	52 (2-3/64")	6	23	8	72 (2-53/64")	14	4.6	8.6	10	34

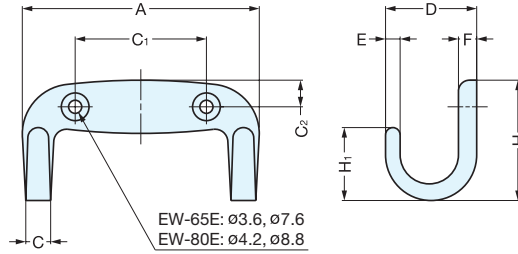
Item No.	Load Capacity (kg)	Weight (g)	Box (pcs)	Carton (pcs)
EU-50	20 (44 lbs)	42	20	120
EU-72	30 (66 lbs)	118	10	60

Material	Finish
316 Stainless Steel	Mirror

HOOK



EW-65E, 80E



EW-65E: $\phi 3.6, \phi 7.6$
EW-80E: $\phi 4.2, \phi 8.8$

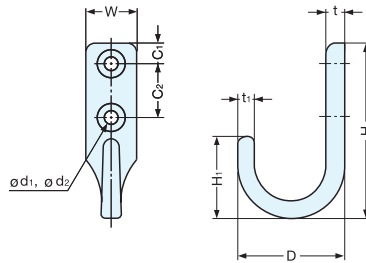
Material	Finish
304 Stainless Steel	Mirror

Item No.	A	C ₁	C	D	E	F	C ₂	H	H ₁	Load Capacity (kg)	Weight (g)	Box (pcs)	Carton (pcs)	Screw
EW-65E	65 (2-9/16")	36	6.5	25	4	5	7.3	33 (1-19/64")	20	20 (44 lbs)	52	10	100	3.1 × 16
EW-80E	80 (3-5/32")	44	8	32	5	6	9	42 (1-21/32")	25		93			3.8 × 20

HOOK



EL-25, 30



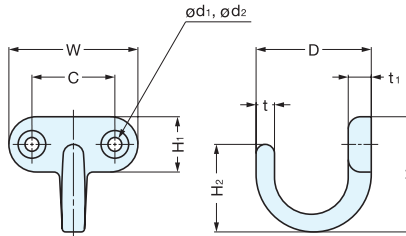
Material	Finish
304 Stainless Steel	Mirror

Item No.	D	H	H ₁	t	t ₁	W	C ₁	C ₂	d ₁	d ₂	Load Capacity (kg)	Weight (g)	Box (pcs)	Carton (pcs)	Screw
EL-25	26 (1-1/32")	40 (1-37/64")	19	5.5	4	12	5	12	3	6	20 (44 lbs)	19	30	300	2.7 × 16
EL-30	32 (1-17/64")	54.5 (2-9/64")	25	6	5	15	6	16	4	8		32	20	200	3.8 × 20

HOOK



EP-25, 40



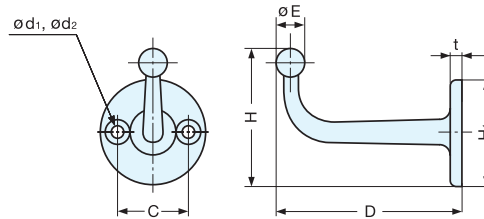
Material	Finish
304 Stainless Steel	Mirror

Item No.	D	W	H	H ₁	H ₂	t	t ₁	C	d ₁	d ₂	Load Capacity (kg)	Weight (g)	Box (pcs)	Carton (pcs)	Screw
EP-25	25 (63/64")	28	25 (63/64")	12	19	4	5	18	3	6	20 (44 lbs)	16	30	300	2.7 × 16
EP-40	32 (1-17/64")	36	33 (1-19/64")	16	25	5	6	23	4	8		31	20	200	3.8 × 20

HOOK



FC-50, 65



* Available in titanium by special order.

Material	Finish
304 Stainless Steel	Mirror

Item No.	D	H	H ₁	t	C	d ₁	d ₂	E	Load Capacity (kg)	Weight (g)	Box (pcs)	Carton (pcs)	Screw
FC-50	47 (1-27/32")	37 (1-29/64")	28	3	18.5	3.3	6.5	6.5	10 (22 lbs)	25	40	480	3.1 × 16
FC-65	65 (2-9/16")	44 (1-47/64")	35	4	22.5	4.2	8	8	12 (26 lbs)	54.5	20	240	3.8 × 20

LATCH HOOK

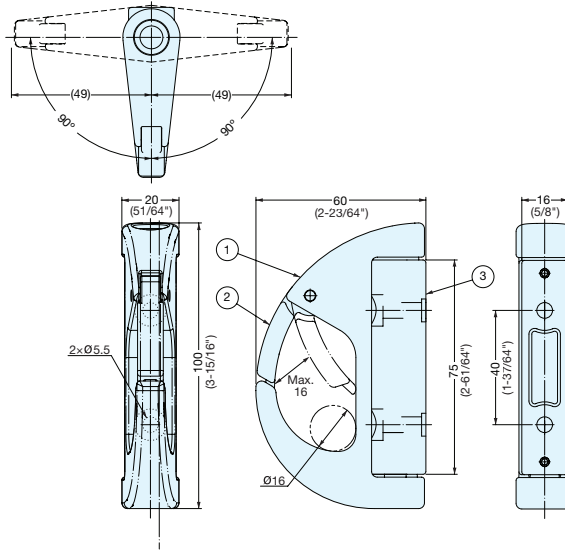
LOAD CAPACITY
60 kg
132 lbs

5x30
STAINLESS

STAINLESS 316 STEEL

EN-R100F

- Keeps items hooked, ideal for vibration or shock applications.
- Swivels 180 degrees.



Item No.	Load Capacity (kg)		Weight (g)	Box (pcs)	Carton (pcs)
	Hook	Arm			
EN-R100F	60 (132 lbs)	10 (22 lbs)	350	10	120

Material	Finish
316 Stainless Steel	Polished

LATCH HOOK

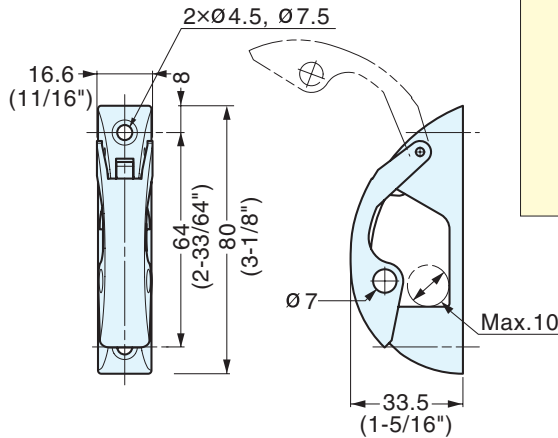
LOAD CAPACITY
20 kg
44 lbs

4x25
STAINLESS

STAINLESS 316 STEEL

EN-R80-K

- 9/32" (7 mm) diameter eyelet for pad lock (lock not included).
- Slim design allows mounting in narrow spaces.
- Stainless steel construction for high corrosion resistance.
- Includes 1" (M4 x 25 mm) long self-tapping screws.



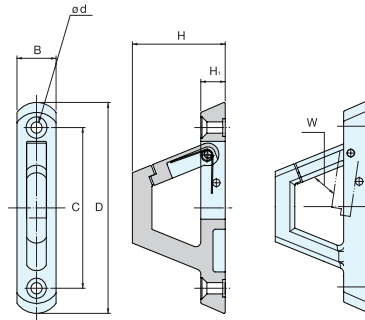
Item No.	Max. Opening	Load Capacity (kg)		Weight (g)	Box (pcs)	Carton (pcs)
		Hook	Arm			
EN-R80-K	10 mm (3/8")	22 (44 lbs)	10 (22 lbs)	120	10	120

Material	Finish
316 Stainless Steel	Polished

LATCH HOOK



EN-K



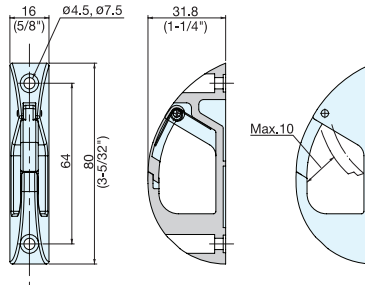
• Keeps items hooked, ideal for vibration or shock applications.

Item No.	D	C	B	H	H ₁	d	W	Load Capacity (kg)		Weight (g)	Box (pcs)	Carton (pcs)	Material	Finish
								Hook	Arm					
EN-K 84	84 (3-5/16")	64	16 (5/8")	38 (1-1/2")	10 (25/64")	4.5, 8.5	Max.10	20 (44 lbs)	10 (22 lbs)	92	10	120	316 Stainless Steel	Polished
EN-K120	120 (4-23/32")	96	22 (7/8")	54 (2-1/8")	12 (15/32")	5.4, 10.5	Max.20	60 (132 lbs)		280		60		

LATCH HOOK



EN-R80



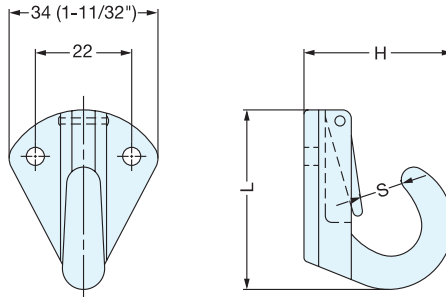
• Keeps items hooked, ideal for vibration or shock applications.

Item No.	Load Capacity (kg)		Weight (g)	Box (pcs)	Carton (pcs)	Material	Finish
	Hook	Arm					
EN-R80	20 (44 lbs)	10 (22 lbs)	85	10	120	316 Stainless Steel	Polished

LATCH HOOK



WH



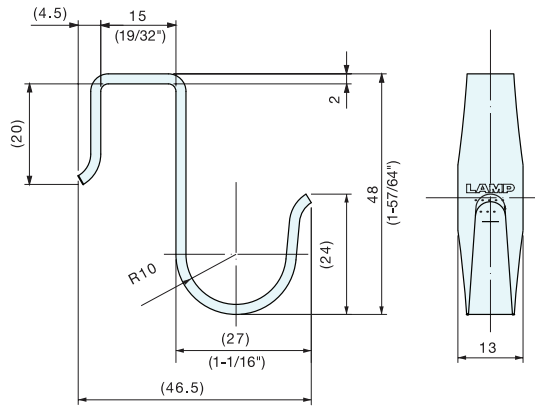
• Keep items hooked, ideal for vibration or shock applications.

Item No.	L	H	S	Load Capacity (kg)	Weight (g)	Box (pcs)	Carton (pcs)	Material	Finish
WH-2	41 (1-39/64")	34 (1-11/32")	10	55					

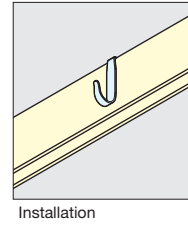
HOOK



RN-50



• Designed for use on partitions.



Installation

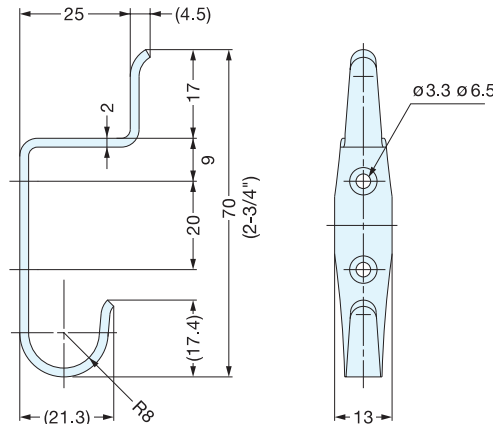
Item No.	Load Capacity (kg)	Weight (g)	Box (pcs)	Carton (pcs)
RN-50	9.4 (20 lbs)	17	40	400

Material	Finish
304 Stainless Steel	Satin

DOUBLE HOOK



RI-074



• Unique two-in-one hook.

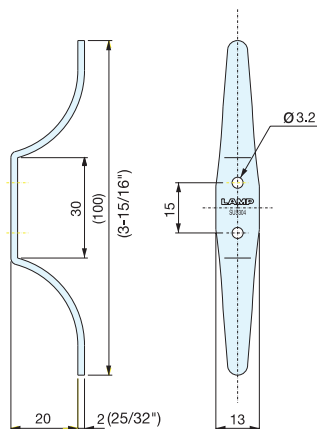
Item No.	Load Capacity (kg)	Weight (g)	Box (pcs)	Carton (pcs)
RI-074	5 (11 lbs)	16	40	400

Material	Finish
304 Stainless Steel	Satin

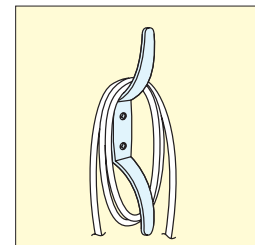
DOUBLE HOOK



RB-102



• Can be used as a light duty tie up cleat.



Installation

Item No.	Weight (g)	Box (pcs)	Carton (pcs)
RB-102	16	40	400

Material	Finish
304 Stainless Steel	Satin

HOOK

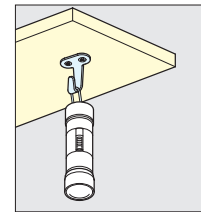
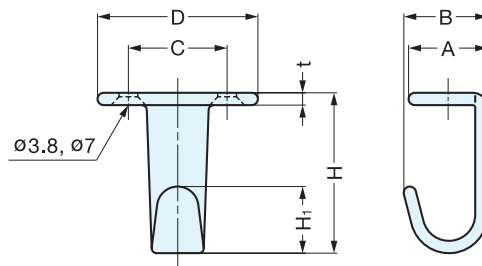


LOAD CAPACITY
8~10 kg
17.6~22 lbs



STAINLESS 304 STEEL

HJ



Installation

Material
304 Stainless Steel

Item No.	D	C	H	H ₁	A	B	t	Load Capacity (kg)	Weight (g)	Box (pcs)	Carton (pcs)	Screw	Finish
HJ-20	28	18	27 (1-1/16")	11	13	17 (43/64")	2.5	10 (22 lbs)	11	120	1200	3.1 × 16	Satin
HJ-30	32.5	20	32.5 (1-9/32")	13.5	16	17 (43/64")		8 (17.6 lbs)	15	30	600	3.5 × 16	
HJ-50	43.5	30	47 (1-27/32")	22	21	22 (7/8")		10 (22 lbs)	30	40	800	3.1 × 16	Black
HJ-20SBL	28	18	27 (1-1/16")	11	13	17 (43/64")		10 (22 lbs)	11	60	600	3.1 × 16	
HJ-30SBL	32.5	20	32.5 (1-9/32")	13.5	16	17 (43/64")		8 (17.6 lbs)	15	30	360	3.5 × 16	
HJ-50SBL	43.5	30	47 (1-27/32")	22	21	22 (7/8")		10 (22 lbs)	30	40	400	3.5 × 16	

HOOK

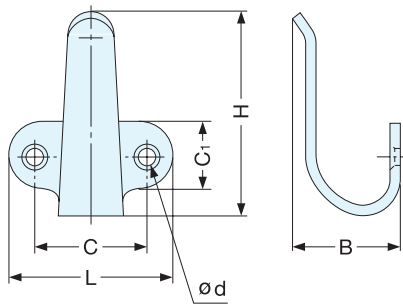


LOAD CAPACITY
6~10 kg
13.2~22 lbs

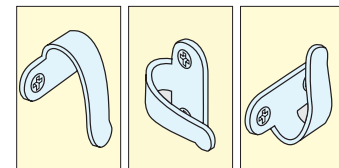


STAINLESS 304 STEEL

2H



• Unique design, also can be used as a pull.



Installation

Material	Finish
304 Stainless Steel	Satin

Item No.	L	C	C ₁	H	B	d	Load Capacity (kg)	Weight (g)	Box (pcs)	Carton (pcs)	Screw
2H-20	28 (1-3/32")	18	10	30 (1-3/16")	18	4.62	10 (22 lbs)	13	120	1200	3.1 × 16
2H-30	32.5 (1-09/32")	20	13	39 (1-17/32")				18	100	1000	
2H-40	35 (1-3/8")	21.5	16	44 (1-47/64")	23	4.7	6 (13.2 lbs)	23	80	800	3.5 × 16
2H-50	43 (1-11/16")	30	18	56 (2-13/64")				25	34	50	

HOOK

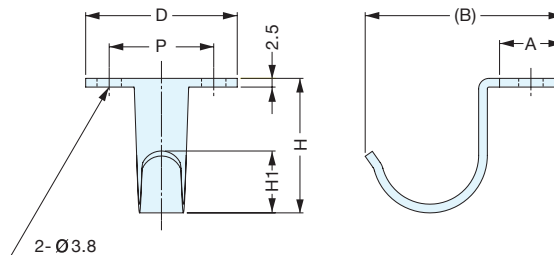


LOAD CAPACITY
8~10 kg
17.6~22 lbs

STAINLESS 304 STEEL



HJU



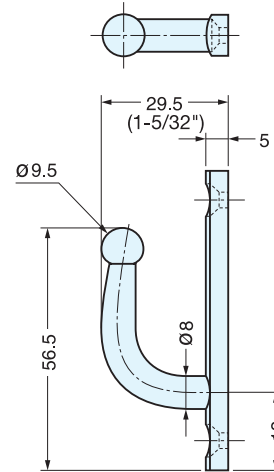
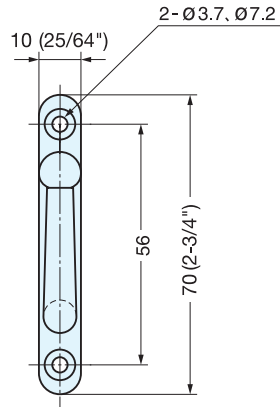
Material	Finish
304 Stainless Steel	Satin

Item No.	D	P	H	H ₁	A	B	Load Capacity (kg)	Weight (g)	Box (pcs)	Carton (pcs)
HJU-30S	32.5 (1-9/32")	20 (25/32")	25 (63/64")	13	13	41.8	8 (17.6 lbs)	15	30	600
HJU-50S	43.5 (1-45/64")	30 (1-11/64")	38.5 (1-33/64")	18	18	59	10 (22 lbs)	30	40	800

HOOK



KB-F-70

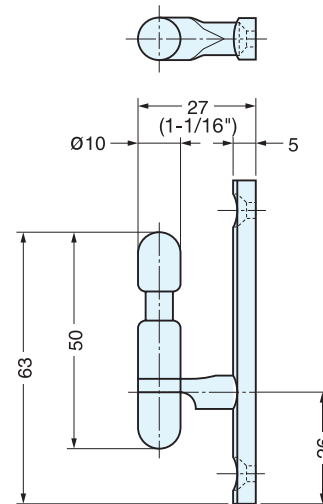
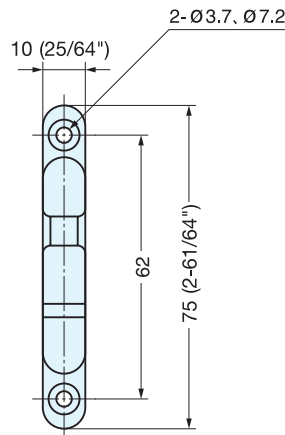


Item No.	Weight (g)	Box (pcs)	Carton (pcs)	Part Name	Material	Finish
KB-F-70	46	5	50	Mounting plate	304 Stainless Steel	Polished
				Hook	303 Stainless Steel	

HOOK



KB-F-75

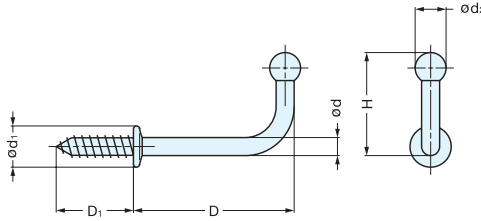
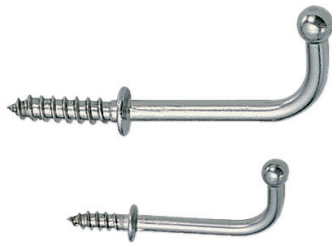


Item No.	Weight (g)	Box (pcs)	Carton (pcs)	Part Name	Material	Finish
KB-F-75	56	5	50	Mounting plate	304 Stainless Steel	Polished
				Hook	303 Stainless Steel	

WIRE HOOK



TY



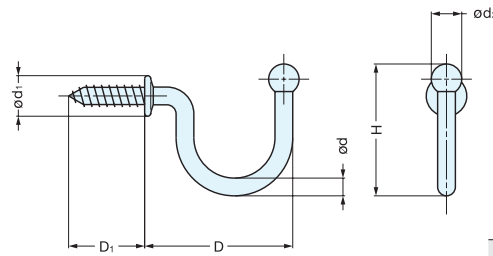
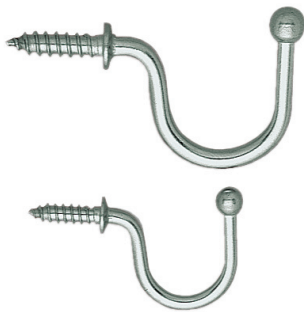
Material	Finish
304 Stainless Steel	Polished

Item No.	D	D ₁	H	d	d ₁	d ₂	Load Capacity (kg)	Weight (g)	Box (pcs)	Carton (pcs)
TY-20	21.8 (55/64")	11	14 (35/64")	2.7	6.5	4.5	3 (6.6 lbs)	1.5	200	7200
TY-25	27 (1-1/16")	13	17 (43/64")	3	7	5		3		
TY-30	31.2 (1-7/32")	15	20 (25/32")	3.5	8	6	7 (15.4 lbs)	5	100	1800
TY-35-15	36.5 (1-7/16")	15	23 (29/32")	4	9	6.5		7		
TY-40-15	43.5 (1-23/32")		27 (1-1/16")	4.5	10	7.5	8 (17.6 lbs)	11	50	900

WIRE HOOK



TF



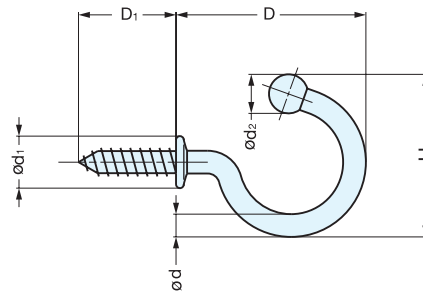
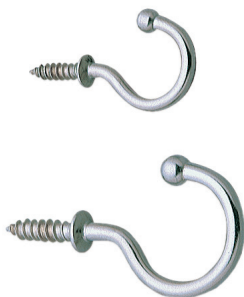
Material	Finish
304 Stainless Steel	Polished

Item No.	D	D ₁	H	d	d ₁	d ₂	Load Capacity (kg)	Weight (g)	Box (pcs)	Carton (pcs)
TF-20	20.8 (13/16")	11	20 (25/32")	2.7	6.5	4.5	3 (6.6 lbs)	3	200	7200
TF-30	29.2 (1-5/32")	15	26 (1-1/32")	3.5	8	6	7 (15.4 lbs)	5.5	100	1800
TF-35	40.5 (1-19/32")	20	35 (1-3/8")	4.5	10	7.5	12 (26 lbs)	13.5	50	900

WIRE HOOK



TL



Material	Finish
304 Stainless Steel	Polished

Item No.	D	D ₁	H	d	d ₁	d ₂	Load Capacity (kg)	Weight (g)	Box (pcs)	Carton (pcs)
TL-15	16.8 (21/32")	11	15 (19/32")	2.7	6.5	4.5	5 (11 lbs)	1.9	200	7200
TL-20	22.8 (29/32")		20 (25/32")					2.1		
TL-30	29.2 (1-5/32")	15	25 (63/64")	3.5	8	6		6	50	900
TL-40	40.5 (1-19/32")	20	34 (1-11/32")	4.5	10	7.5	12 (26 lbs)	13.5	50	900

HOOK

LOAD CAPACITY
2 kg
4.4 lbs

1.5x28
STAINLESS

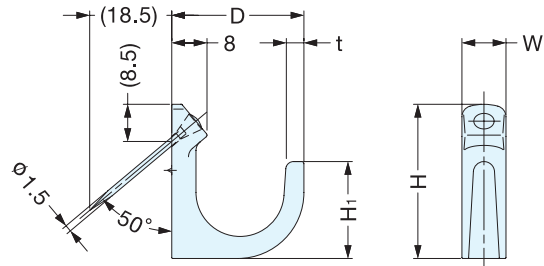
STAINLESS 304 STEEL

PF



Pin/Stainless Steel $\phi 1.5$

• For Dry Wall Mount.



Material	Finish/Color
304 Stainless Steel	Mirror

Item No.	D	W	H	H ₁	t	Load Capacity (kg)	Weight (g)	Box (pcs)	Carton (pcs)
PF-22	22	9	30	16	3	2 (4.4 lbs)	13	20	200
PF-30	30	10	35	22	4		23		

HOOK

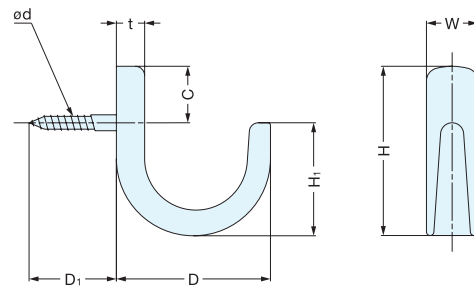


TEST 4
P.658

LOAD CAPACITY
5-8 kg
11-17.6 lbs

STAINLESS 304 STEEL

CH



Material	Finish/Color
304 Stainless Steel	Mirror

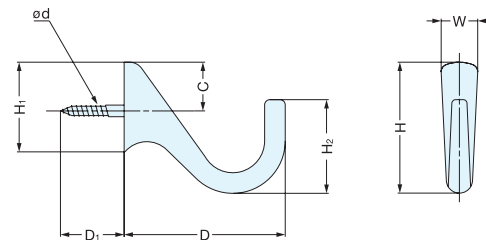
Item No.	D	D ₁	W	H	H ₁	d	C	t	Load Capacity (kg)	Weight (g)	Box (pcs)	Carton (pcs)
CH-S	22 (7/8")	17	9	27 (1-1/16")	15	3.1	9	4	5 (11 lbs)	10	30	600
CH-L	30 (1-3/16")		10	33 (1-19/64")	22		11	5	8 (17.6 lbs)	18.5	20	400

HOOK

LOAD CAPACITY
5 kg
11 lbs

STAINLESS 304 STEEL

BH



Material	Finish/Color
304 Stainless Steel	Mirror

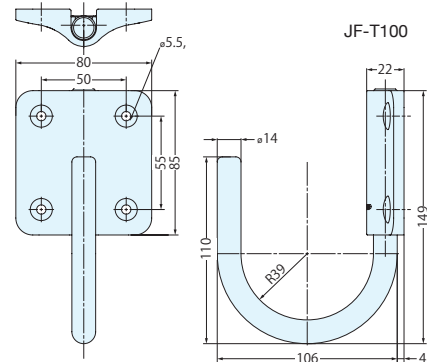
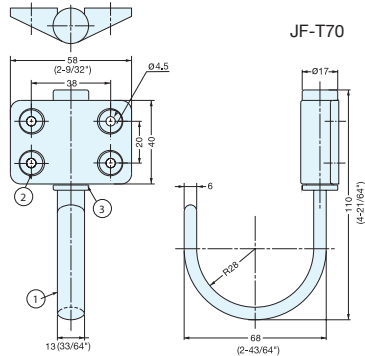
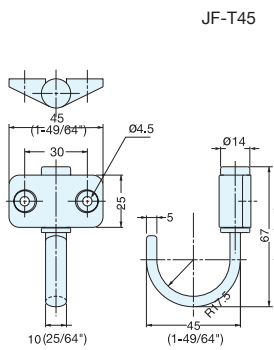
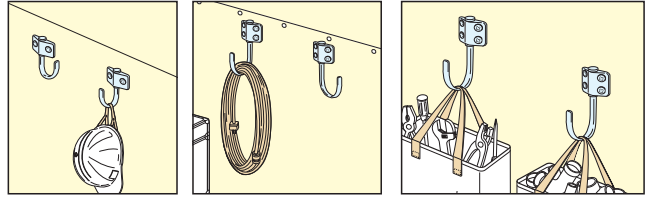
Item No.	D	D ₁	W	H	H ₁	H ₂	d	C	Load Capacity (kg)	Weight (g)	Box (pcs)	Carton (pcs)
BH-S	33 (1-19/64")	17	9	29 (1-9/64")	16	20	3.1	8	5 (11 lbs)	15	30	600

SWING HOOK (W/FRICTION)



JF-T

- Swivels 180 degrees.
- Hook has constant torque when swiveling.
- Ideal for vibration or shock applications.



Item No.	Load Capacity (kg)	Weight (g)	Box (pcs)	Carton (pcs)
JF-T45	10 (22 lbs)	90	10	100
JF-T70		225		
JF-T100	40 (88 lbs)	638	5	20

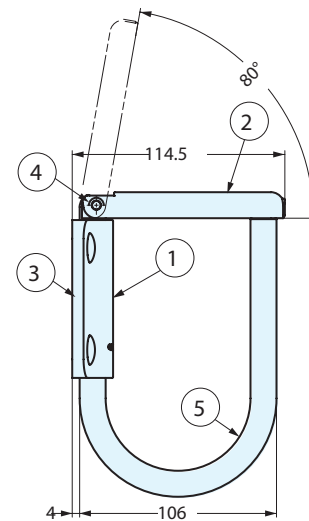
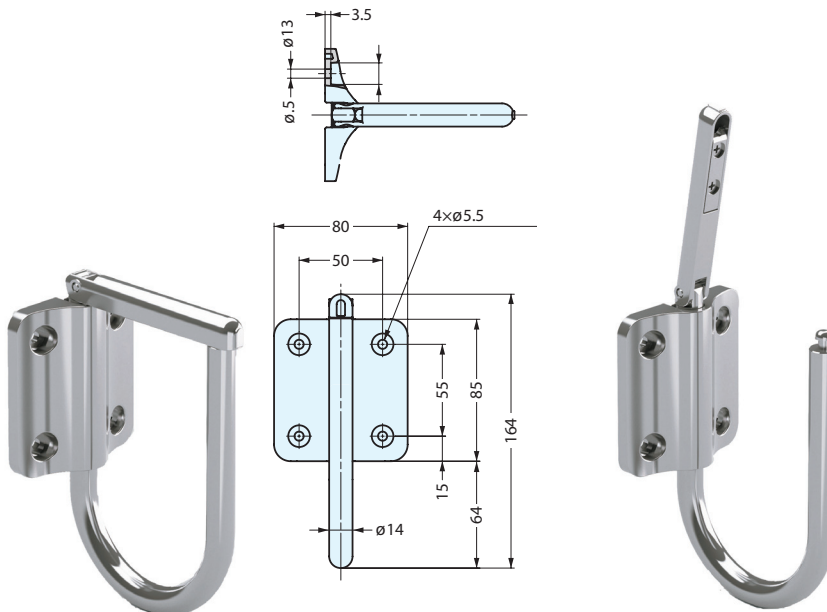
No.	Part Name	Material	Finish/Color
①	Hook	304 Stainless Steel	Mirror
②	Mounting Plate		
③	Bushing	POM	Black

SWING LATCH HOOK (W/FRICTION)



JN-T100

- Swivels 180 degrees.
- Hook has constant torque when swiveling.
- Ideal for vibration or shock applications.



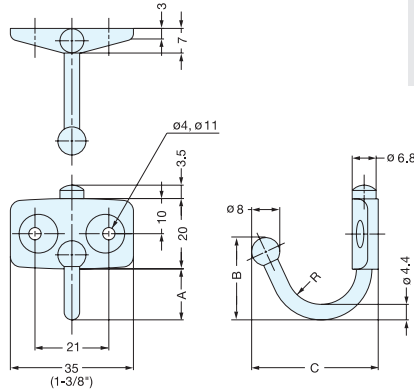
Item No.	Load Capacity (kg)	Weight (g)	Box (pcs)	Carton (pcs)
JN-T100	40 (88 lbs)	780	5	20

No.	Part Name	Material	Finish/Color
①	Mounting Plate	304 Stainless Steel	Mirror
②	Arm		
③	Back Plate	303 Stainless Steel	Plain
④	Shaft		
⑤	Hook		

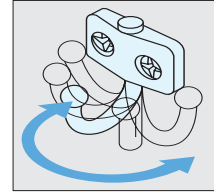
SWING HOOK (W/FRICTION)



TK



- Swivels 180 degrees.
- Hook has constant torque when swiveling.
- Ideal for vibration or shock applications.



Installation

Material	Finish
304 Stainless Steel	Polished

Item No.	A	B	C	R	Load Capacity (kg)	Weight (g)	Box (pcs)	Carton (pcs)
TK-30F	14.5	23.4 (59/64")	36 (1-27/64")	10	12 (26 lbs)	17	100	1000
TK-45F	19.4	28.4 (1-1/8")	44.3 (1-3/4")	15	8 (17 lbs)	20		

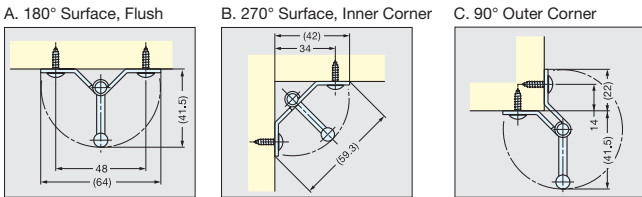
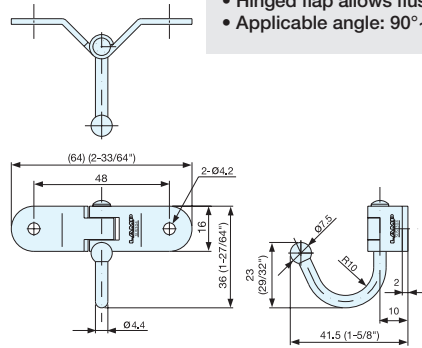
BUTTERFLY HOOK



TZ-360



- Hinged flap allows flush or corner mount.
- Applicable angle: 90°~270°



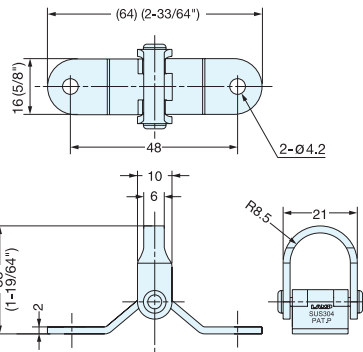
Material	Finish
304 Stainless Steel	Polished

Item No.	Load Capacity A (kg)	Load Capacity B (kg)	Load Capacity C (kg)	Weight (g)	Box (pcs)	Carton (pcs)
TZ-360	6 (13.2 lbs)	5.6 (12.3 lbs)	3 (6.6 lbs)	27	50	500

BUTTERFLY HOOK

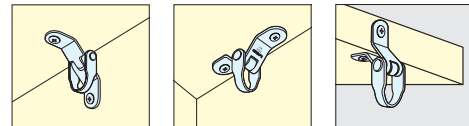


DZ-270



- Eyelet swivels for various installation applications.
- Hinged leaves for flush or corner mount.
- Includes 1/2" (M4 x 12) long screws.

Installation



Material	Finish
304 Stainless Steel	Polished

Item No.	Load Capacity A (270°)		Load Capacity B (180°)		Load Capacity C (90°)		Weight (g)	Box (pcs)	Carton (pcs)
	Horizontal	Vertical	Horizontal	Vertical	Horizontal	Vertical			
DZ-270	5.6 kg (12.3 lbs)	6 kg (13.2 lbs)	6 kg (13.2 lbs)	8 kg (17.6 lbs)	3 kg (6.6 lbs)	8 kg (17.6 lbs)	29	50	500

EYE HOOK



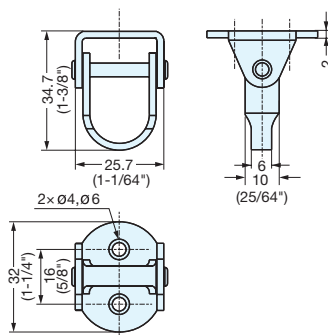
RF-D35



(A)
Horizontal



(B)
Vertical



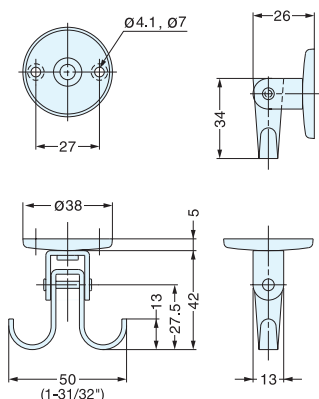
- Eyelet swivels for various installation applications.
- Can be mounted horizontally to walls or under-mounted for vertical applications.
- Includes 5/8" (M3.5 x 16) long screws.

Item No.	Load Capacity (kg)		Weight (g)	Box (pcs)	Carton (pcs)	Material	Finish
RF-D35	(A) 5.3 (11.7 lbs)	(B) 10.6 (23.4 lbs)	27	50	400	304 Stainless Steel	Satin

ROTATING/SWING HOOK



RF-U50



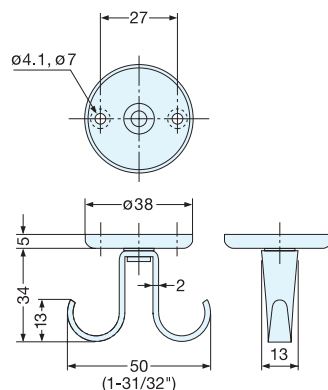
- Rotates 360° and swings 180°.
- Can be mounted in various directions.

Item No.	Load Capacity (kg)	Weight (g)	Box (pcs)	Carton (pcs)	Material	Finish
RF-U50	6.1 (13 lbs)	40	25	250	304 Stainless Steel	Satin

ROTATING HOOK



RF-50



- Rotates 360°.
- Can be mounted in various directions.

Item No.	Load Capacity (kg)	Weight (g)	Box (pcs)	Carton (pcs)	Material	Finish
RF-50	3 (6.6 lbs)	33	25	500	304 Stainless Steel	Satin

SWING HOOK

TEST 4
P.658

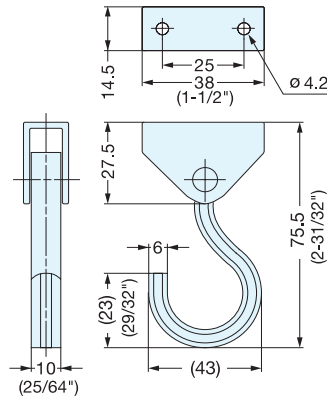
LOAD CAPACITY
50 kg
110 lbs

4x20
STAINLESS

STAINLESS
303
STEEL

STAINLESS
304
STEEL

XL-JSF40TT



- Vertical swivel allows for under mount applications.

Item No.	Load Capacity (kg)	Weight (g)	Box (pcs)	Carton (pcs)
XL-JSF40TT	50 (110 lbs)	70	20	120

Part Name	Material	Finish
Hook	303 Stainless Steel	Mirror/Satin Combination
Bracket	304 Stainless Steel	Mirror/Satin Combination

SWING HOOK

RoHS

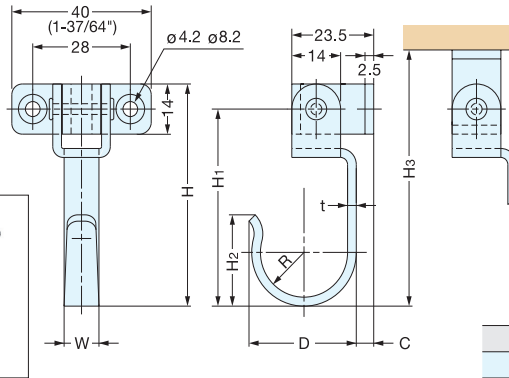
TEST 4
P.658

LOAD CAPACITY
5.6-6.7 kg
12-14 lbs

4x16
STAINLESS

STAINLESS
304
STEEL

UC



- Vertical swivel allows for under mount applications.

Material	Finish
304 Stainless Steel	Satin

Item No.	W	D	H	H ₁	H ₂	H ₃	C	R	t	Load Capacity (kg)	Weight (g)	Box (pcs)	Carton (pcs)
UC-048	9 (23/64")	(24.9) (63/64")	55 (2-11/64")	48 (1-57/64")	(21.4) (27/32")	64.5	6.5	10	2	5.6 (12 lbs)	37	40	400
UC-055	10 (25/64")	(30.8) (1-7/32")	62 (2-7/16")	55 (2-11/64")	(25.5) (57/64")	71.5	5	12.5	2.5	6.7 (14 lbs)	45	25	250

SWING HOOK

RoHS

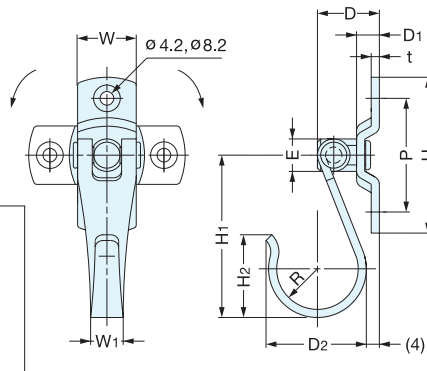
TEST 4
P.658

LOAD CAPACITY
6.7-8.9 kg
14-19 lbs

4x16
STAINLESS

STAINLESS
304
STEEL

UJ



- Rotates 360° and swivels 180°.
- Can be mounted in various directions.

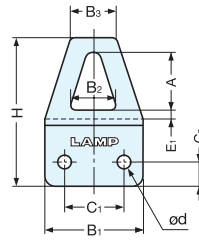
Material	Finish
304 Stainless Steel	Satin

Item No.	W	W ₁	D	D ₁	D ₂	H	H ₁	H ₂	P	E	R	t	Load Capacity (kg)	Weight (g)	Box (pcs)	Carton (pcs)
UJ-040	16	(9)	16.5	5.5	(24.9) (63/64")	42	40 (1-37/64")	(21.4)	30	ø 9	10	2	6.7 (14 lbs)	27	50	500
UJ-050	18	(10)	19	7	(30.8) (1-7/32")	48	50 (1-31/32")	(25.5)	35	ø10	12.5	2.5	8.9 (19 lbs)	45	30	300

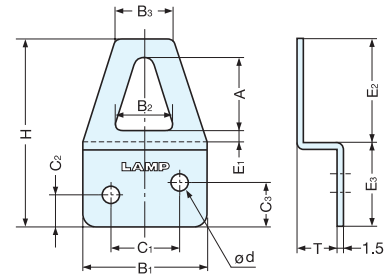
HANGER PLATE



AP



AP-20



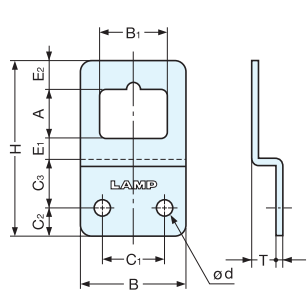
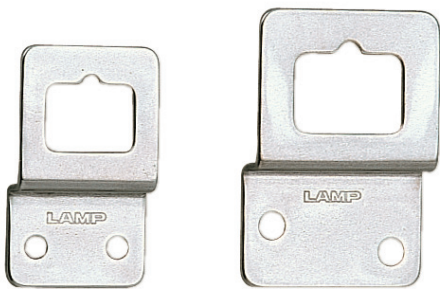
AP-25, 32

Item No.	B ₁	B ₂	B ₃	H	A	C ₁	C ₂	C ₃	d	E ₁	E ₂	E ₃	T	Material		Finish		
														304 Stainless Steel	304 Stainless Steel	Polished	Polished	Screw
AP-20	20 (25/32")	9.2	9.2	30.4 (1- 3/16")	11.8	12	5	-	2.8	2	16.8	13.6	6	10 (22 lbs)	6	100	1000	2.7 × 13
AP-25	25 (63/64")	11.5	11.5	37.5 (1-15/32")	14.7	14	6.5	9	3.3	2.5	20.5	17	8	10 (22 lbs)	10	100	1000	3.1 × 16
AP-32	32 (1-17/64")	14.8	14.8	47 (1-27/32")	17.2	18	8	12	4.2	3.2	24.5	22.5	10	10 (22 lbs)	16	100	1000	3.5 × 16

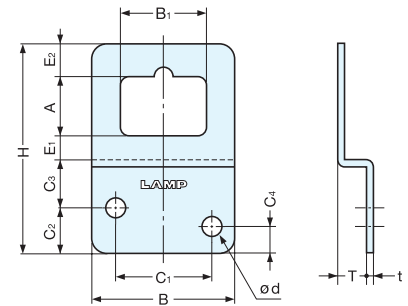
HANGER PLATE



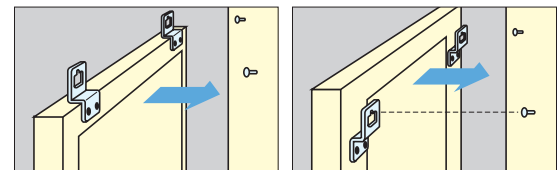
SP



SP-17, 22



SP-30

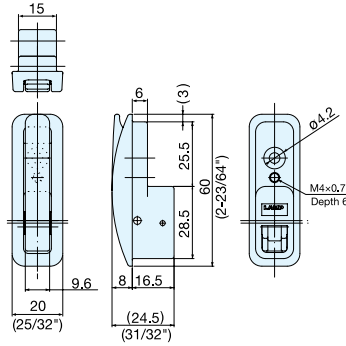


Item No.	B	B ₁	H	A	C ₁	C ₂	C ₃	C ₄	d	E ₁	E ₂	T	t	Material		Finish		
														304 Stainless Steel	304 Stainless Steel	Polished	Polished	Screw
SP-17	17 (43/64")	10.5	28.5 (1-1/8")	7	8	4.5	9.5	-	2.7	3.5	4	4	1.2	10 (22 lbs)	4	200	1000	2.7 × 13
SP-22	22 (7/8")	14	36.5 (1-7/16")	10	13	6	10	-	3.3	4.5	6	5	1.5	10 (22 lbs)	8	100	500	3.1 × 16
SP-30	30 (1-3/16")	18	43.5 (1-23/32")	12	20	9.5	10	5.5	4.2	5	7	6	1.5	10 (22 lbs)	13	100	500	3.5 × 16

RECESSED HOOK



NF-60

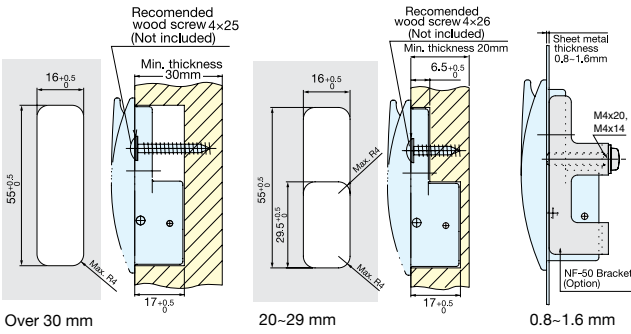


- Hook is spring loaded to retract.
- Ideal for vibration or shock applications.
- Panel Thickness:
Wood: Min. 20 mm (25/32")
Sheet Metal: 0.8-1.6 mm with optional bracket NF-50, sold separately.

Part Name	Material	Finish
Body	Aluminum	Grey
Pin/Spring	304 Stainless Steel	Plain
Rubber	Polychloroprene	Black

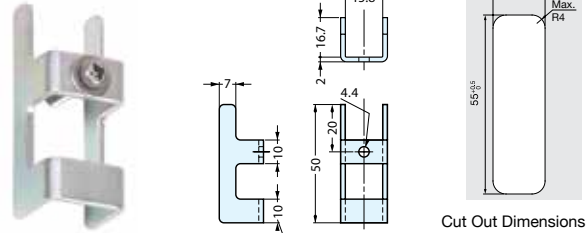
Item No.	Load Capacity (kg)	Weight (g)	Box (pcs)	Carton (pcs)
NF-60	20 (44 lbs)	31	10	200

BORE DIMENSIONS THICKNESS



NF-50 BRACKET

For sheet metal application.
*Supplied with M4x14 stainless steel screw.

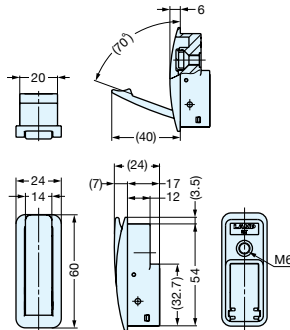


Item No.	Weight (g)	Box (pcs)	Carton (pcs)	Material
NF-50	22	20	400	Steel

SOFT CLOSE RECESSED HOOK



NF-60D

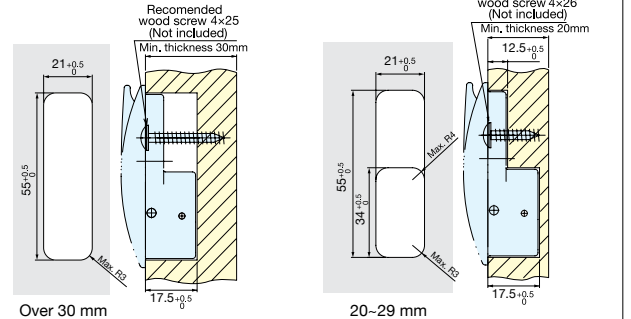


- Hook is spring loaded to retract with a soft closing action.
- Ideal for vibration or shock applications.
- Panel Thickness:
Wood: Min. 20 mm (25/32")
Sheet Metal: 0.8-1.6 mm with optional bracket NF-50D (sold separately).

Part Name	Material	Finish
Body	Aluminum	Grey/Silver
Pin/Spring	304 Stainless Steel	Plain
Rubber	Polychloroprene	Black
Cover	POM	Grey

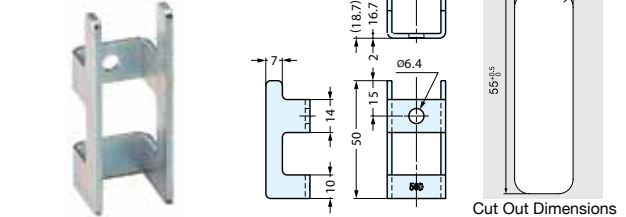
Item No.	Finish	Load Capacity (kg)	Weight (g)	Box (pcs)	Carton (pcs)
NF-60D/GR	Grey	30 (66 lbs)	49	10	200
NF-60D/SL	Silver				

BORE DIMENSIONS THICKNESS



NF-50D BRACKET

For sheet metal application.
*Supplied with M6x20 stainless steel screw.



Item No.	Weight (g)	Box (pcs)	Carton (pcs)	Material
NF-50D	25	20	400	Steel

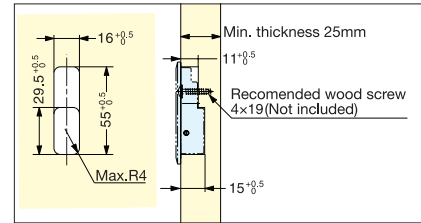
RECESSED HOOK



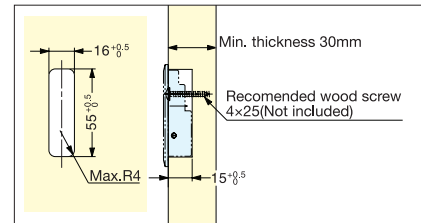
NF-R64



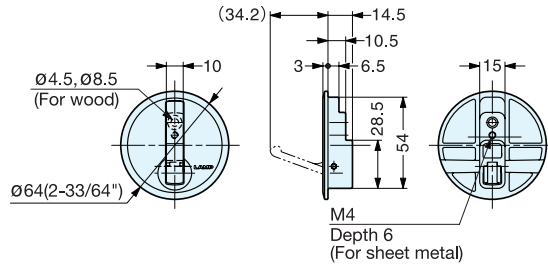
- Hook is spring loaded to retract.
- Ideal for vibration or shock application.
- Panel Thickness:
 - Wood: Minimum 25 mm (1")
 - Sheet metal: 0.8~1.6 mm with optional bracket NF-50, sold separately.



Bore Dimensions
(For thickness over 25~29 mm)



Bore Dimensions
(For thickness over 30 mm)



Item No.	Load Capacity (kg)	Weight (g)	Box (pcs)	Carton (pcs)	Material	Finish
NF-R64	20 (44 lbs)	90	10	120	Zinc Alloy	Chrome

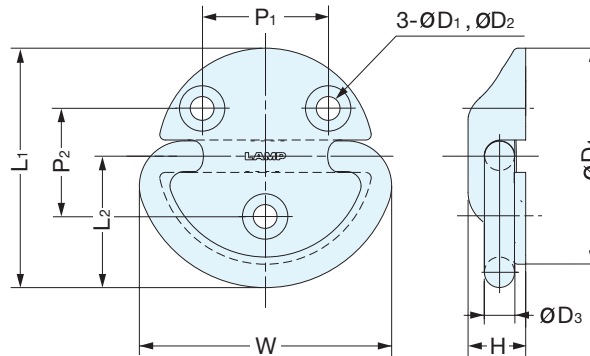
HEAVY DUTY FOLDING PAD EYE



EY-R



- Loop has constant torque, ideal for vibration or shock application.
- Suitable for marine, RV or freight applications.



Item No.	Weight (g)	Box (pcs)	Carton (pcs)
EY-R50	116	10	120
EY-R60	202	10	60
EY-R80	431	5	30

Material	Finish
Body: 316 Stainless Steel/Loop: 304 Stainless Steel	Plain

Item No.	L ₁	L ₂	W	P ₁	P ₂	H	ØD ₁	ØD ₂	ØD ₃	ØD ₄	Load Capacity (kg)	Screw
EY-R50	54 (2-1/8")	30 (1-11/64")	56.5 (2-7/32")	28	24	14.5	5.5	10.4	7.5	48	500 (1100 lbs)	M5 x 16
EY-R60	66.5 (2-39/64")	36.5 (1-7/16")	70 (2-3/4")	35	30	16	6.6	12.6	8.5	60	800 (1760 lbs)	M6 x 16
EY-R80	88.5 (3-31/64")	48.5 (1-29/32")	94 (3-45/64")	45	40	19	9	17.3	11	80	1200 (2640 lbs)	M8 x 16

VANITY HOOK

LOAD CAPACITY
5.8 kg
12.8 lbs

3.5x30
STEEL

SSF

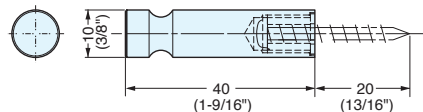


SSF-10/GA

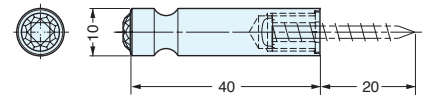


SSF-10/CR-SW

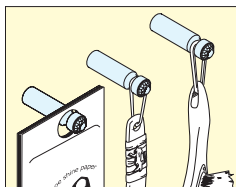
- Slim 3/8" (10 mm) diameter hook with groove, useful for hanging bags, brushes, etc.
- Includes 1-3/16" (3.5 x 30 mm) long self-tapping screw.
- Available in gold (GA) or chrome (CR) with option of designer crystals, adding a touch of glamour.



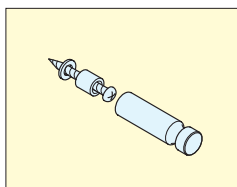
SSF-10/CR
SSF-10/GA



SSF-10/CR-SW
SSF-10/GA-SW



Application



Installation

Item No.	Material	Finish	Load Capacity (kg)	Weight (g)	Box (pcs)	Carton (pcs)
SSF-10/CR	Brass	Chrome	5.8 (12.8 lbs)	24	10	600
SSF-10/GA		Gold		25		
SSF-10/CR-SW	Brass, Crystal	Chrome				
SSF-10/GA-SW		Gold				

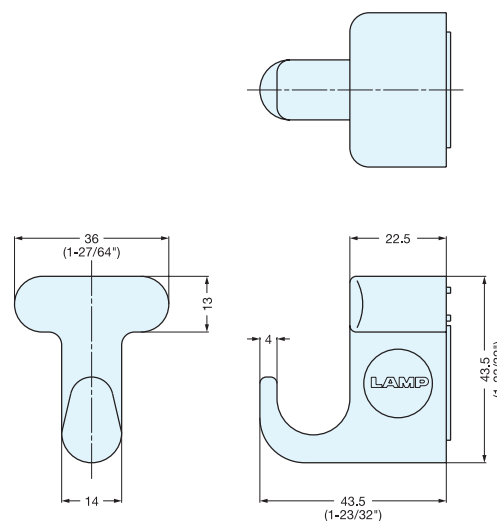
MAGNET HOOK

LOAD CAPACITY
2 kg
4.4 lbs

MJ-45



- Hook with strong magnet.
- Convenient for use on steel cabinets, refrigerators, tool cabinets etc.



Item No.	Load Capacity (kg)	Weight (g)	Box (pcs)	Carton (pcs)	Material	Color
MJ-45/BRN	2 (4.4 lbs)	58	20	240	Magnet ABS	Brown (BRN)
MJ-45/IVY						Ivory (IVY)
MJ-45/ORG						Orange (ORG)

COAT HOOK

LOAD CAPACITY
10 kg
22 lbs

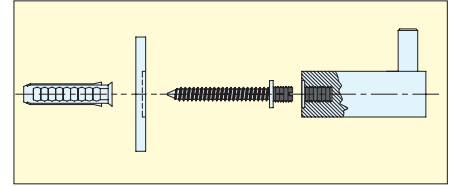
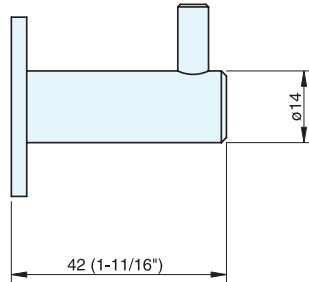
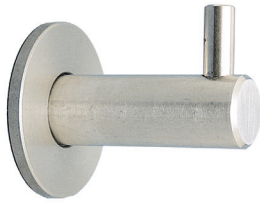
STEEL

STAINLESS
303
STEEL

STAINLESS
304
STEEL

DSH-01

• Supplied with screw, and plastic expansion anchor.



Installation

Item No.	Load Capacity (kg)	Weight (g)	Box (pcs)	Carton (pcs)	Material	Finish
DSH-01	10 (22 lbs)	71	25	250	303/304 Stainless Steel	Satin

COAT HOOK

LOAD CAPACITY
10 kg
22 lbs

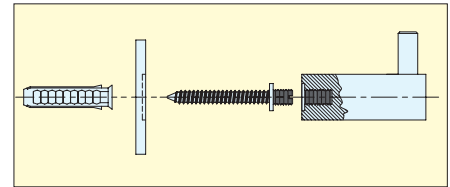
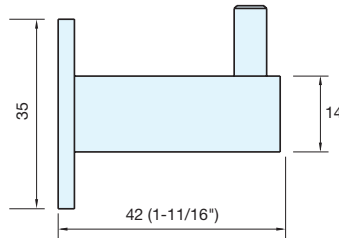
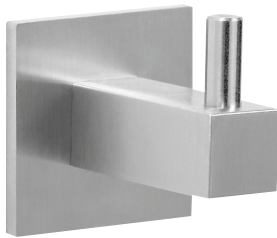
STEEL

STAINLESS
303
STEEL

STAINLESS
304
STEEL

DSH-04

• Supplied with screw, and plastic expansion anchor.



Installation

Item No.	Load Capacity (kg)	Weight (g)	Box (pcs)	Carton (pcs)	Material	Finish
DSH-04	10 (22 lbs)	-	25	250	303/304 Stainless Steel	Satin

COAT HOOK

LOAD CAPACITY
10 kg
22 lbs

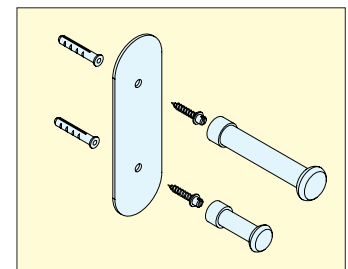
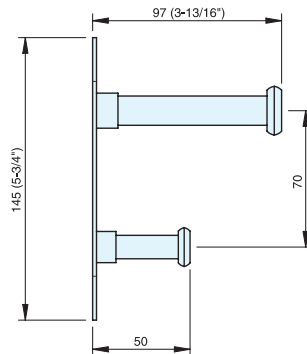
STEEL

STAINLESS
303
STEEL

STAINLESS
304
STEEL

DSH-05

• Supplied with screws and plastic expansion anchors.



Installation

Item No.	Load Capacity (kg)	Weight (g)	Box (pcs)	Carton (pcs)	Material	Finish
DSH-05	10 (22 lbs)	280	1	10	303/304 Stainless Steel	Satin

COAT HOOK

LOAD CAPACITY
10 kg
22 lbs

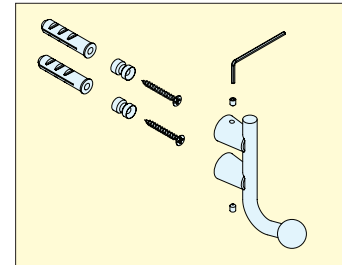
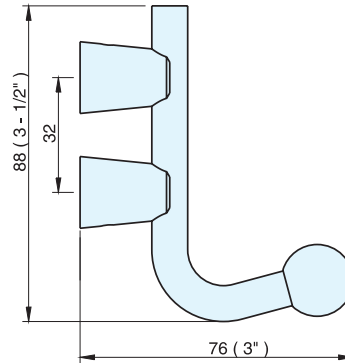
STEEL

STAINLESS 303 STEEL

STAINLESS 304 STEEL

DSH-02

• Supplied with screws, brackets, plastic expansion anchors and allen key.



Installation

Item No.	Load Capacity (kg)	Weight (g)	Box (pcs)	Carton (pcs)	Material	Finish
DSH-02	10 (22 lbs)	178	10	100	303/304 Stainless Steel	Satin

COAT HOOK

LOAD CAPACITY
10 kg
22 lbs

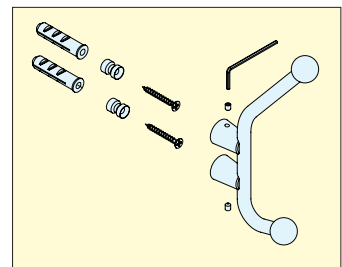
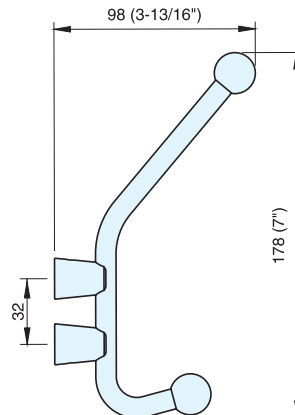
STEEL

STAINLESS 303 STEEL

STAINLESS 304 STEEL

DSH-03

• Supplied with screws, brackets, plastic expansion anchors and allen key.



Installation

Item No.	Load Capacity (kg)	Weight (g)	Box (pcs)	Carton (pcs)	Material	Finish
DSH-03	10 (22 lbs)	71	5	50	303/304 Stainless Steel	Satin

COAT HOOK

LOAD CAPACITY
10 kg
22 lbs

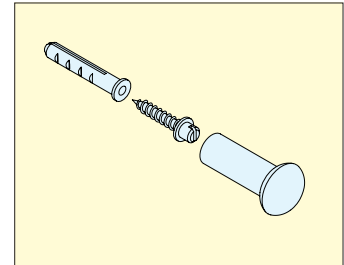
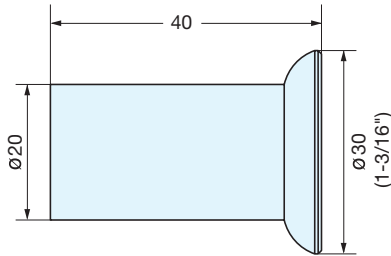
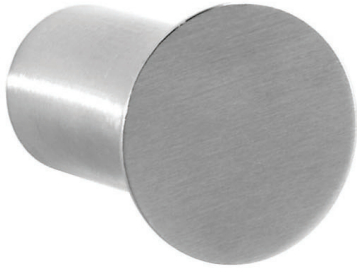
STEEL

STAINLESS
303
STEEL

STAINLESS
304
STEEL

DSH-129

- Supplied with screw, and plastic expansion anchor.



Installation

Item No.	Load Capacity (kg)	Weight (g)	Box (pcs)	Carton (pcs)	Material	Finish
DSH-129	10 (22 lbs)	-	25	250	303/304 Stainless Steel	Satin

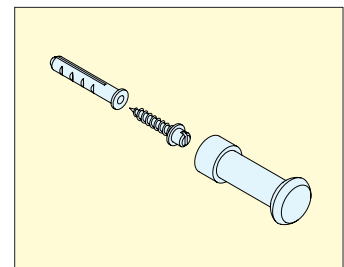
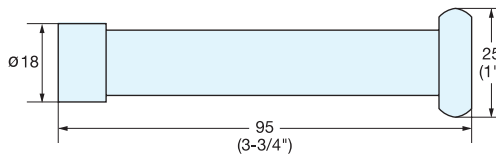
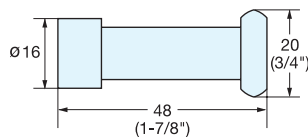
COAT HOOK

STAINLESS
303
STEEL

STAINLESS
304
STEEL

DSH-P5

- Supplied with screw, and plastic expansion anchor.



Installation

Item No.	Load Capacity (kg)	Weight (g)	Box (pcs)	Carton (pcs)	Material	Finish
DSH-P5-20	10 (22 lbs)	-	25	250	303/304 Stainless Steel	Satin
DSH-P5-25						

