



**Lift** - Opening systems

***SALICE***







## Flap door

Part number composition	page 7
Components of the system	page 8
Components of the system with PUSH opening	page 10
Drilling patterns and attachment methods of the PUSH system	page 13
Assembly instructions	page 14
Chart for the piston strengths	page 20



## Folding door

Part number composition	page 26
Components of the system	page 27
Assembly instructions	page 28
Adjustment instructions	page 34
Chart for the piston strengths	page 36



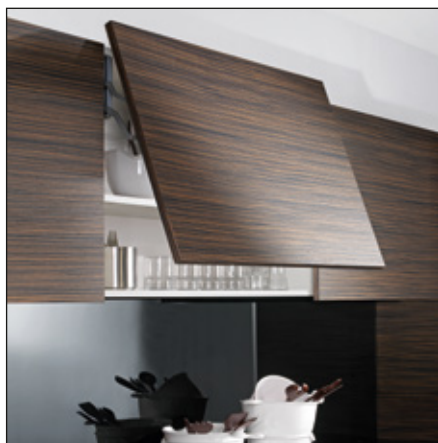
## Parallel opening door

### Opening system for doors from 360 mm to 440 mm height

Part number composition	page 41
Components of the system	page 42

### Opening system for doors from 440 mm to 660 mm height

Part number composition	page 43
Components of the system	page 44
Assembly instructions	page 45
Chart for the piston strengths	page 55



## Swing opening door

Part number composition	page 60
Components of the system	page 61
Assembly instructions	page 63
Chart for the piston strengths	page 69



## Lift - Opening systems - Flap door







## Part number composition

- F** = Lifting system
- R2** = Flap door opening
- D/S** = Right or left versions
- XXXX** = Special options
- SN** = Cover with Salice logo / **99** = Cover with arrangement for screw cover cap
- X** = Color of the cover
- X1** = Cover with silk-screen printed logo

**FR2XXXXSNX**

**D** = right version  
**S** = left version

**G** = grey cover  
**1** = white cover  
**9** = nickel-pl. cover



**FR2XXXX999**

Part number for Lift system supplied with nickel-plated cover with arrangement for screw cover cap.

Screw cover cap to be ordered separately.



**FR2XXXX\_9X1**

Part number for Lift system supplied with nickel-plated cover with silk-screen printed logo.

# Lift - Opening systems - Flap door



## Components of the system for wood door



### FR2DXXXXSNX

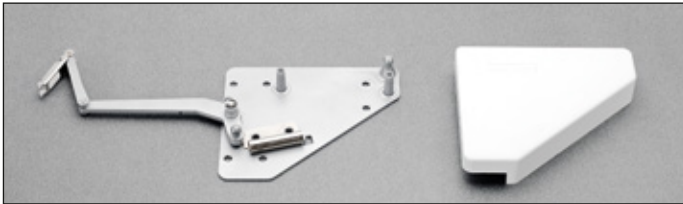
Lifting system - **right** side  
Cover

#### Color of the cover:

G = grey  
1 = white  
9 = nickel-pl.

#### Packing

Boxes 12 pcs.



### FR2SXXXXSNX

Lifting system - **left** side  
Cover

#### Color of the cover:

G = grey  
1 = white  
9 = nickel-pl.

#### Packing

Boxes 12 pcs.

## To be ordered separately:

### C2\_6A99



Hinge for door.  
See page 15 to complete the part number with the available attachment systems.

#### Packing

Boxes 300 pcs.

### BAPGR39



Mounting plate for the top of the wall cabinet.

Mounting plate for door.

#### Packing

Boxes 300 pcs.

### FLMGSE XXX ← Fill with the required piston strength



Gas piston.  
See page 20 and 22 to complete the part number with the appropriate piston strength.

#### Packing

Boxes 12 pcs.

### D00SSNG



Smove

For doors of small weight and dimensions.

#### Packing

Boxes 250 pcs.

### FLMGRE XXX ← Fill with the required piston strength



Progressive gas piston.  
See page 21 and 23 to complete the part number with the appropriate piston strength.

#### Packing

Boxes 12 pcs.

### D00FSNG



Smove

For doors of middle weight and dimensions.

#### Packing

Boxes 250 pcs.

### D00LSNG



Smove

For doors of large weight and dimensions.

#### Packing

Boxes 250 pcs.





## Components of the system for alu-framed door



**FR2DXXXXSNX**  
Lifting system - **right** side  
Cover

**Color of the cover:**  
G = grey  
1 = white  
9 = nickel-pl.

**Packing**  
Boxes 12 pcs.



**FR2SXXXXSNX**  
Lifting system - **left** side  
Cover

**Color of the cover:**  
G = grey  
1 = white  
9 = nickel-pl.

**Packing**  
Boxes 12 pcs.

### To be ordered separately:

**C2Z6A99**

Hinge for door



**Packing**  
Boxes 150 pcs.

**BAP\_R39**



**BAPGR39**  
Mounting plate for the top of  
the wall cabinet.  
**BAP3R39**  
Mounting plate for door.

**Packing**  
Boxes 300 pcs.

**FLMGSE XXX** ← Fill with the required piston strength



Gas piston.  
See page 20 and 22 to  
complete the part number with  
the appropriate piston strength.

**Packing**  
Boxes 12 pcs.

**D00SSNG**



Smove  
For doors of small weight and  
dimensions.

**Packing**  
Boxes 250 pcs.

**FLMGRE XXX** ← Fill with the required piston strength



Progressive gas piston.  
See page 21 and 23 to  
complete the part number with the  
appropriate piston strength.

**Packing**  
Boxes 12 pcs.

**D00FSNG**



Smove  
For doors of middle weight and  
dimensions.

**Packing**  
Boxes 250 pcs.

**DLZXBH9**

Support for plate with attachment  
screws.



**Packing**  
Boxes 150 pcs.

**D00LSNG**



Smove  
For doors of large weight and  
dimensions.

**Packing**  
Boxes 250 pcs.

# Lift - Opening systems - Flap door



## Components of the system for wood door with Push opening



### FR2DXXXXSNX

Lifting system - **right** side

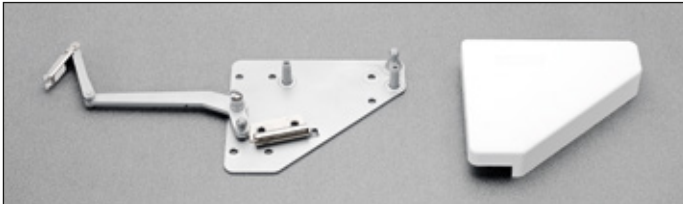
Cover

#### Color of the cover:

G = grey  
1 = white  
9 = nickel-pl.

#### Packing

Boxes 12 pcs.



### FR2SXXXXSNX

Lifting system - **left** side

Cover

#### Color of the cover:

G = grey  
1 = white  
9 = nickel-pl.

#### Packing

Boxes 12 pcs.

## To be ordered separately:

### C2\_PA99



Hinge for door.  
See page 15 to complete the part number with the available attachment systems.

#### Packing

Boxes 300 pcs.

### BAPGR39



Mounting plate for the top of the wall cabinet.  
Mounting plate for door.

#### Packing

Boxes 300 pcs.

### FLMGSE XXX ← Fill with the required piston strength



Gas piston.  
See page 20 and 22 to complete the part number with the appropriate piston strength.

#### Packing

Boxes 12 pcs.

### DOOPNSA



Smove

#### Packing

Boxes 250 pcs.

### FLMGRE XXX ← Fill with the required piston strength



Progressive gas piston.  
See page 21 and 23 to complete the part number with the appropriate piston strength.

#### Packing

Boxes 12 pcs.



## Components of the system for alu-framed door with Push opening



**FR2DXXXXSNX**  
Lifting system - **right** side

Cover

**Color of the cover:**

G = grey  
1 = white  
9 = nickel-pl.

**Packing**  
Boxes 12 pcs.



**FR2SXXXXSNX**  
Lifting system - **left** side

Cover

**Color of the cover:**

G = grey  
1 = white  
9 = nickel-pl.

**Packing**  
Boxes 12 pcs.

### To be ordered separately:

**C2ZPA99**



Hinge for door.

**Packing**  
Boxes 150 pcs.

**BAP\_R39**



**BAPGR39**  
Mounting plate for the top of the wall cabinet.

**BAP3R29**  
Mounting plate for door.

**Packing**  
Boxes 300 pcs.

**FLMGSE XXX** ← Fill with the required piston strength



Gas piston.  
See page 20 and 22 to complete the part number with the appropriate piston strength.

**Packing**  
Boxes 12 pcs.

**DOOPNSA**



Smove

**Packing**  
Boxes 250 pcs.

**FLMGRE XXX** ← Fill with the required piston strength



Progressive gas piston.  
See page 21 and 23 to complete the part number with the appropriate piston strength.

**Packing**  
Boxes 12 pcs.

**DLZXBH9**



Support for plate with attachment screws.

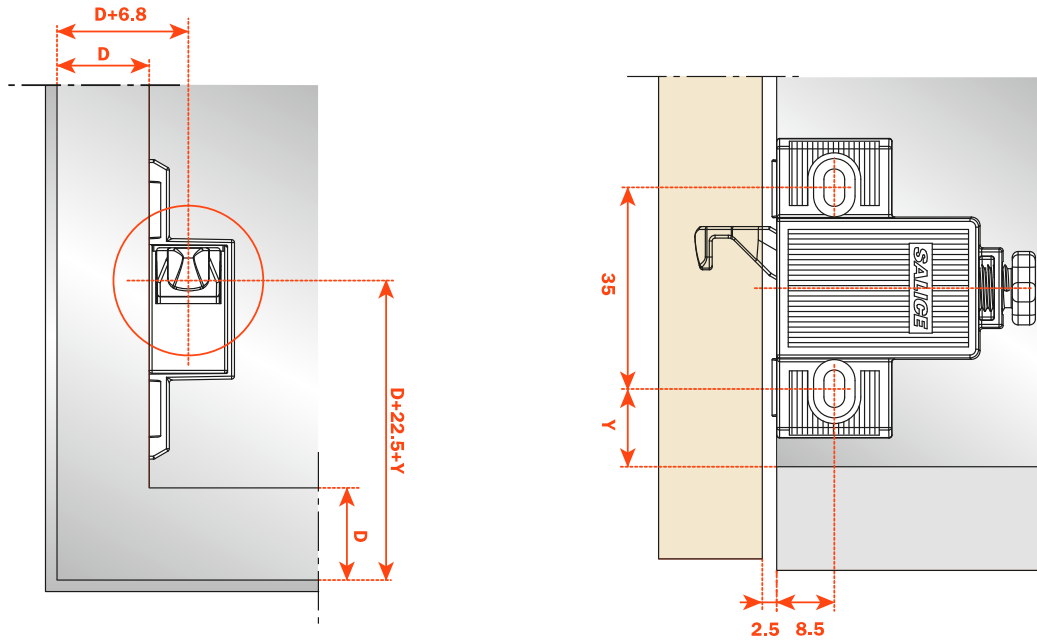
**Packing**  
Boxes 150 pcs.

## Lift - Opening systems - Flap door

The door can be opened with or without a handle. If a handle is used, it can be positioned anywhere on the door. Alternatively, for doors up to 400 mm in height that do not have a handle for aesthetic reasons, the Push self-opening system can be used.

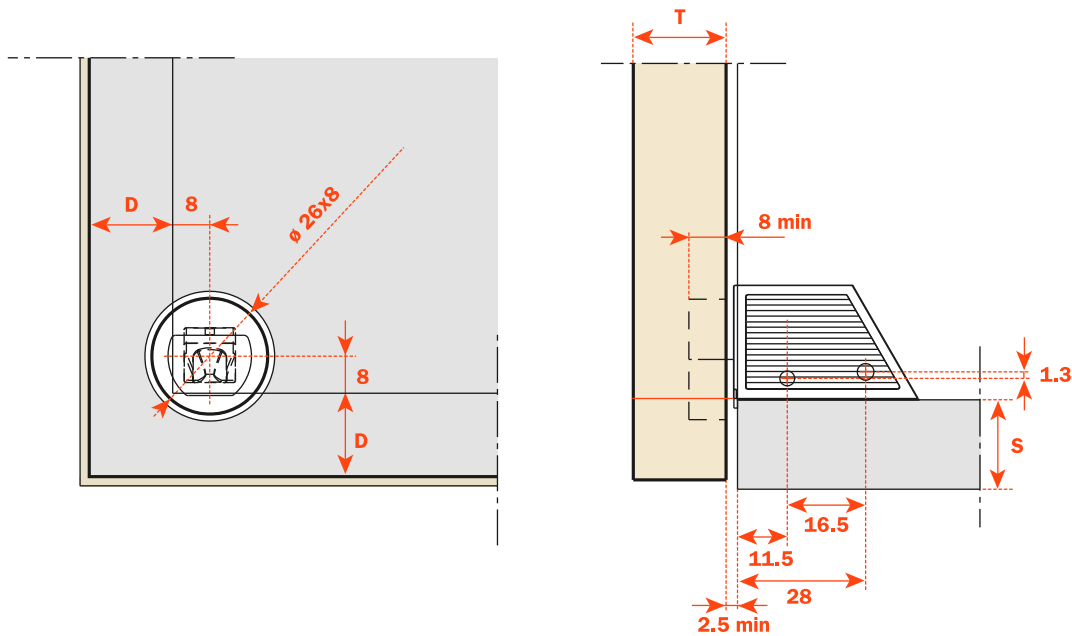


**Push with depth and side adjustment**



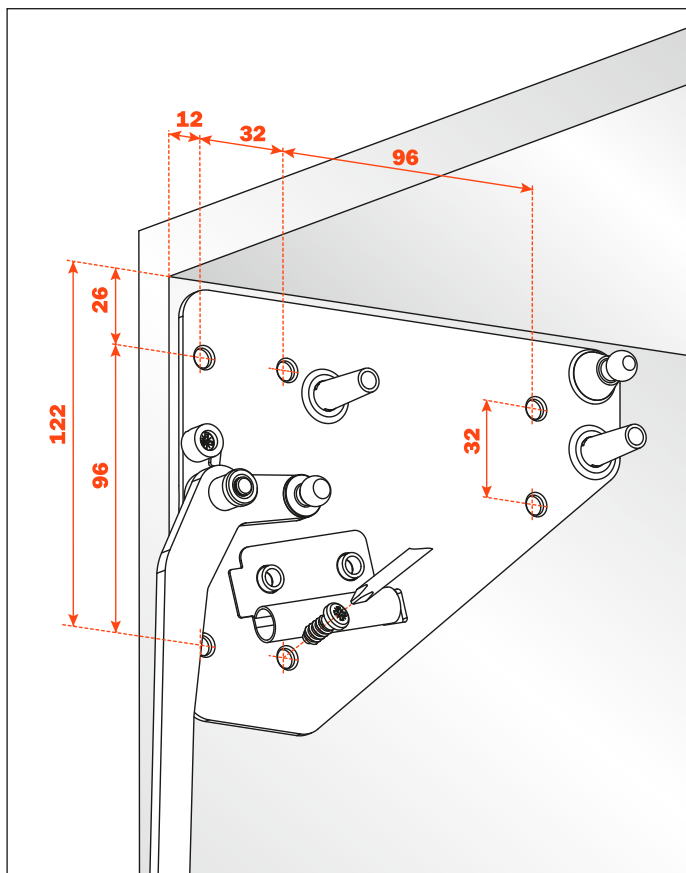
**D = Door overlay on side and base panel of the cabinet**  
**Y = min. 8.5 mm**

**Push without adjustment**



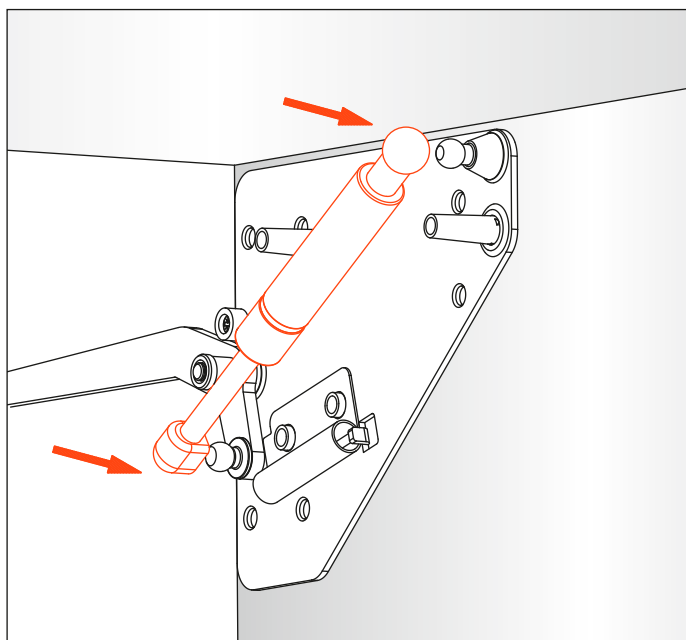
**D = Door overlay on side and base panel of the cabinet**  
**Drilling distance of retaining catch =  $D + 8$**

## Attaching the support to the cabinet side



## Deploying the piston

Carefully press each end of the piston securely onto the pins on the bracket and lifting arm, ensuring that the body of the piston is at the top.

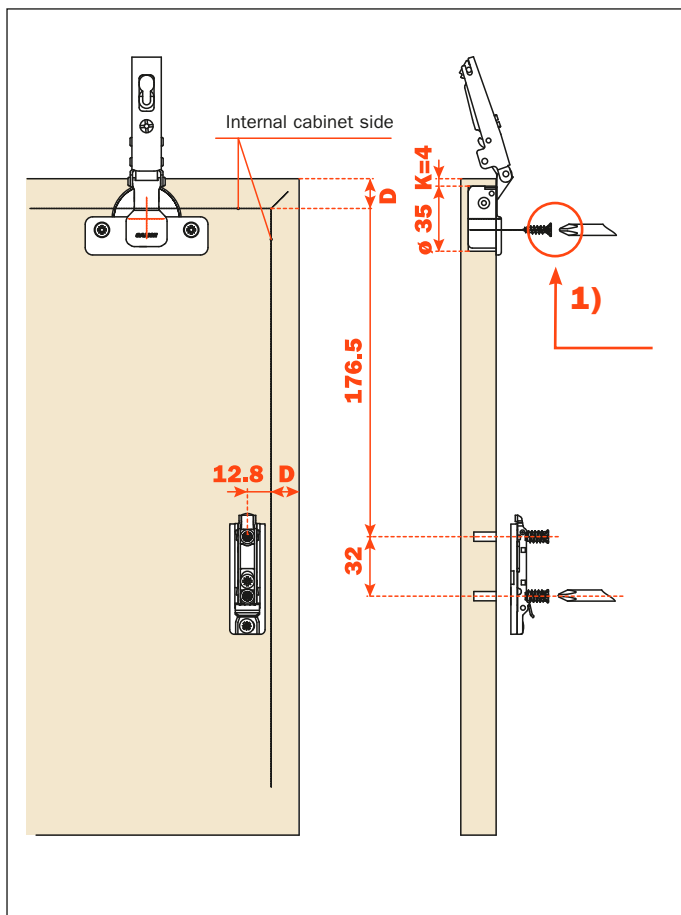


## Drilling pattern for wood door

### Available attachment systems for the hinge cup:

- A** = wood screw attachment, 48x6 mm drilling
- P** = wood screw attachment, 45x9.5 mm drilling
- U** = wood screw attachment, 52x5.5 mm drilling
- B** = dowel attachment, 48x6 mm drilling
- R** = dowel attachment, 45x9.5 mm drilling
- W** = dowel attachment, 52x5.5 mm drilling
- 6** = Rapido attachment, 48x6 mm drilling
- 7** = Rapido attachment, 45x9.5 mm drilling
- 2** = Rapido attachment, 52x5.5 mm drilling

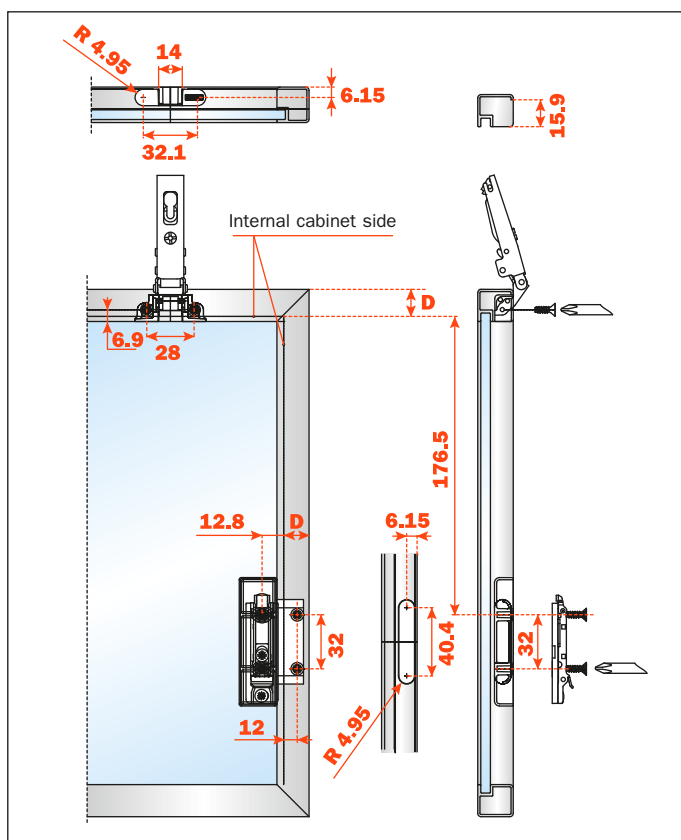
**D** = side and upper overlay



## Drilling pattern for alu-framed door - width min. 17 mm, max. 24 mm

For alu-framed door, attach the mounting plate to the appropriate adapter.

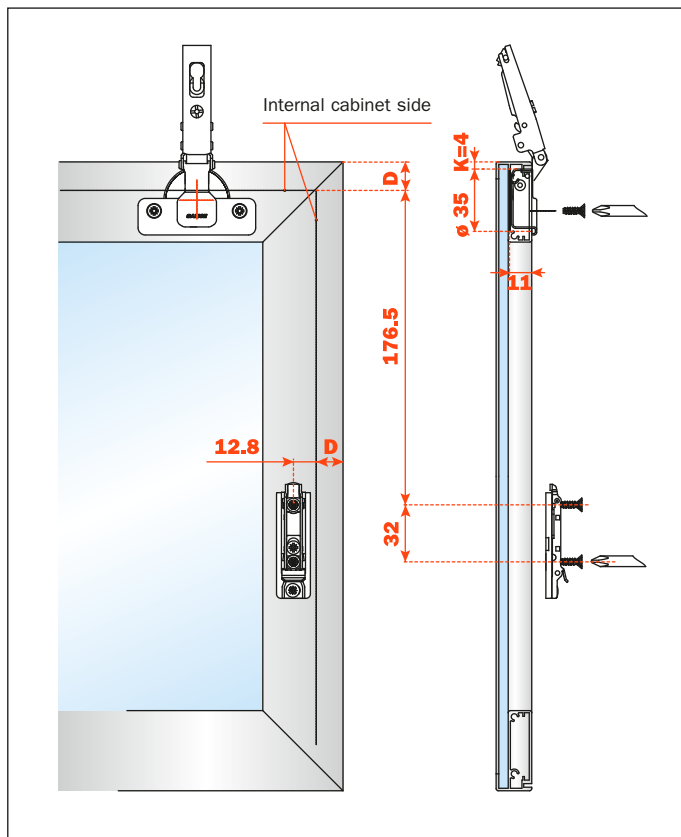
**D** = side and upper overlay



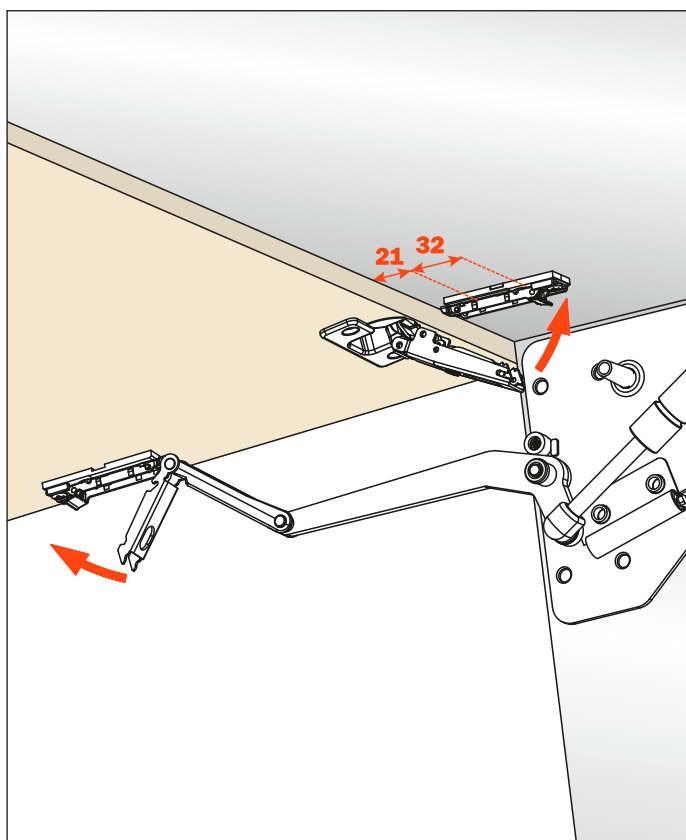
## Drilling pattern for alu-framed door - width min. 45 mm

### Available attachment system for the hinge cup:

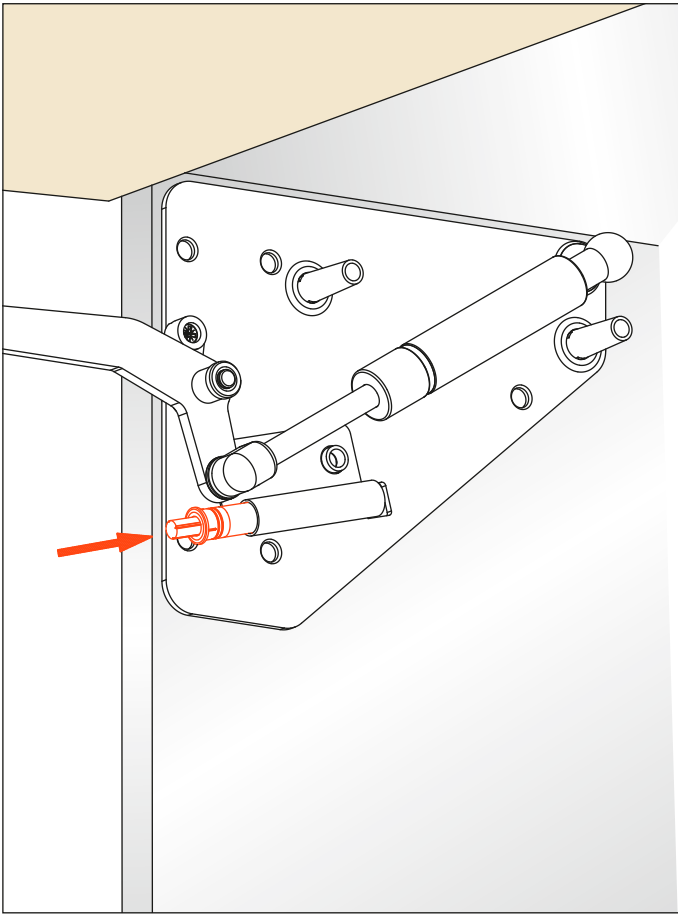
- A** = wood screw attachment, 48x6 mm drilling
  - P** = wood screw attachment, 45x9.5 mm drilling
  - U** = woodscrew attachment, 52x5.5 mm drilling
- D** = side and upper overlay



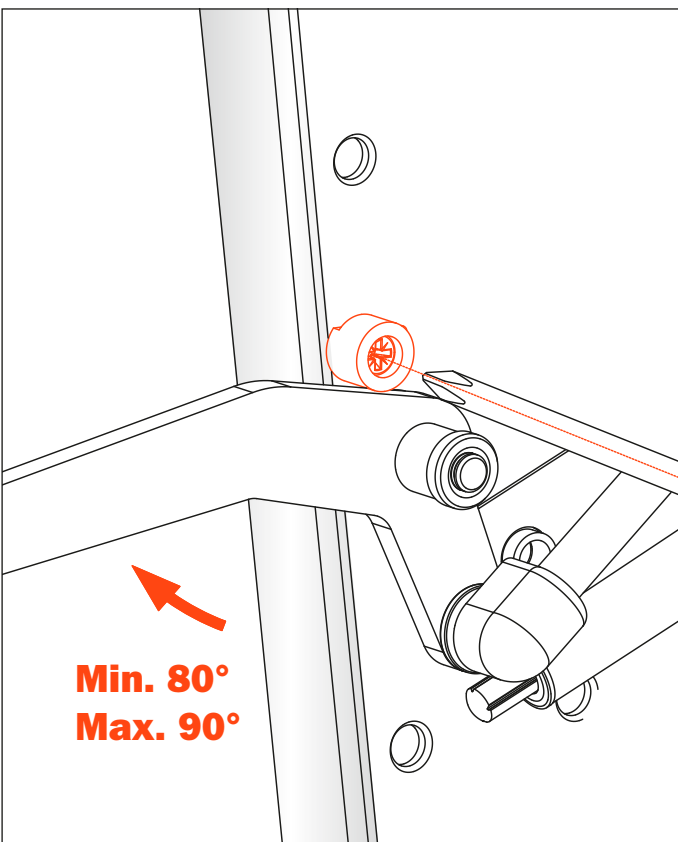
## Attaching the door to the cabinet



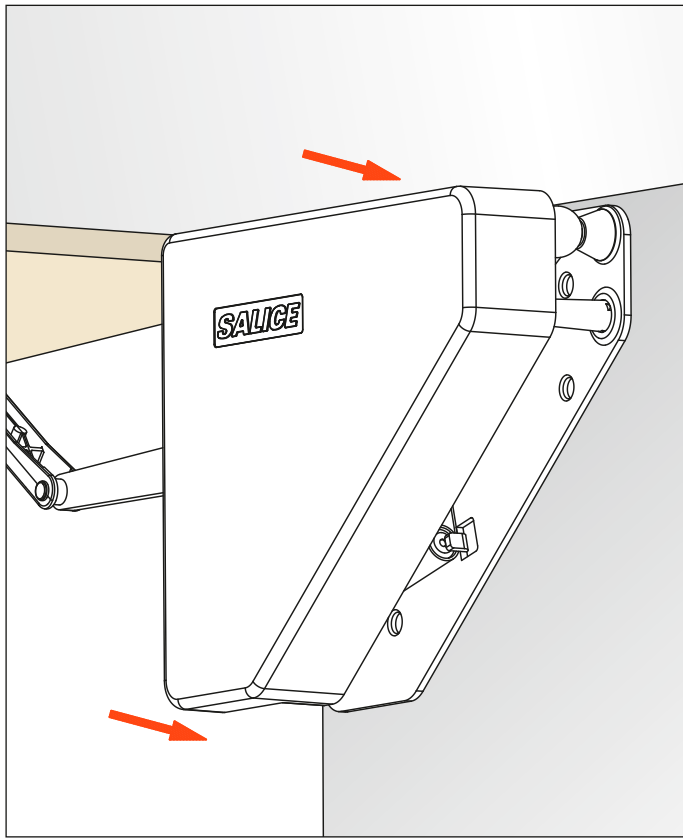




Adjustment of the opening angle of the door by cam

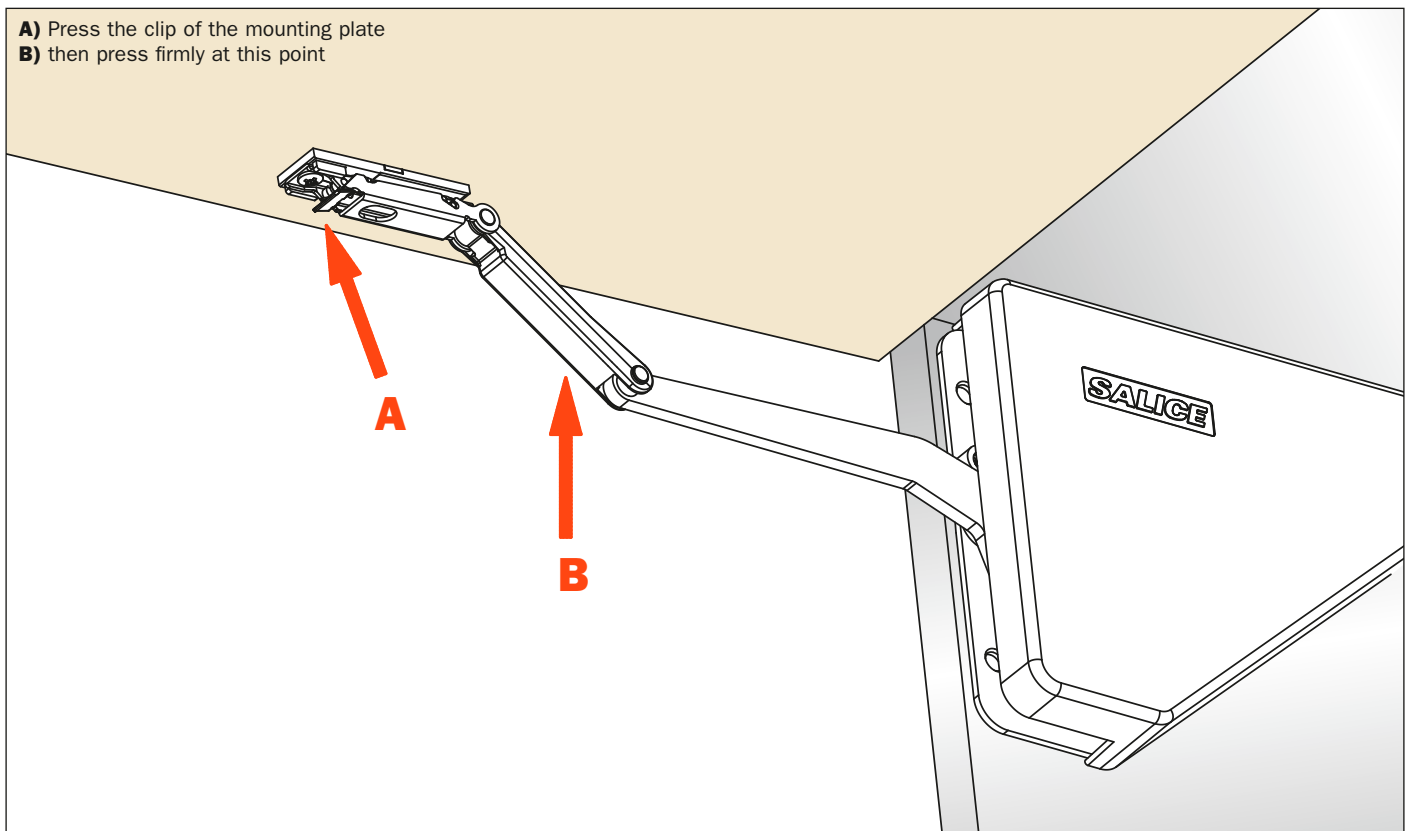


## Installing the cover

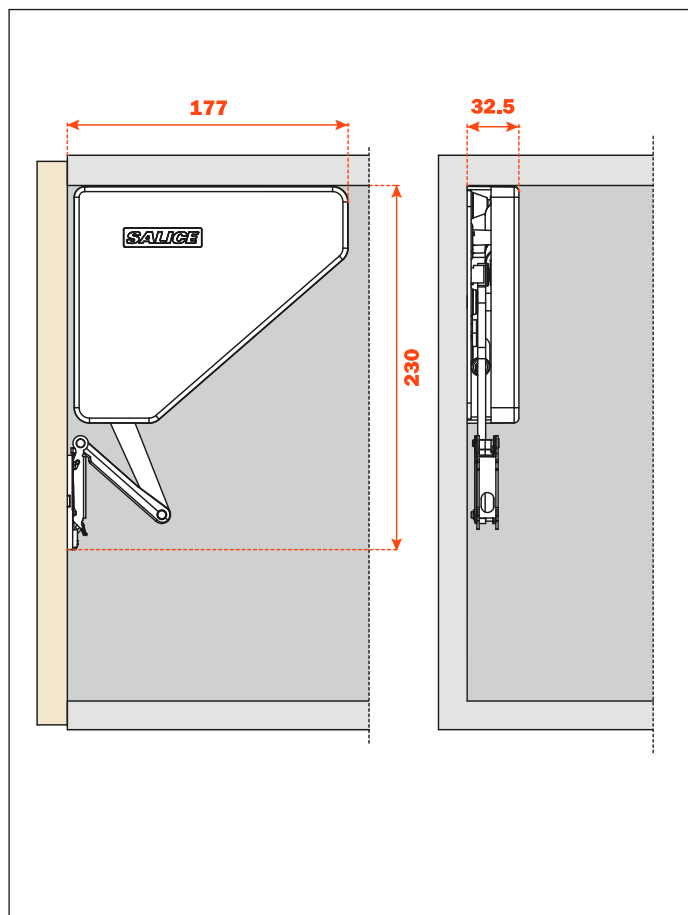


## Disassembly

- A) Press the clip of the mounting plate
- B) then press firmly at this point



## Dimensions of the system

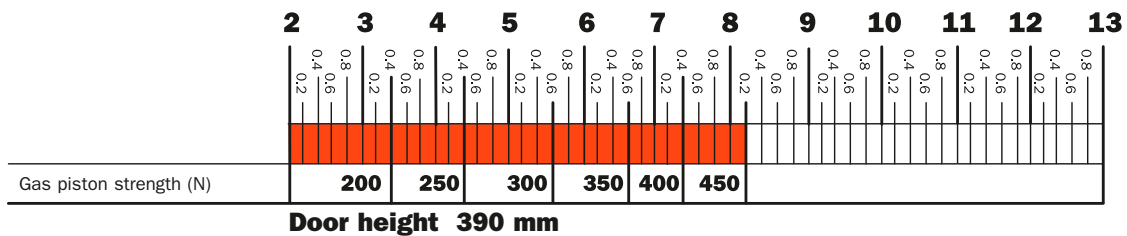
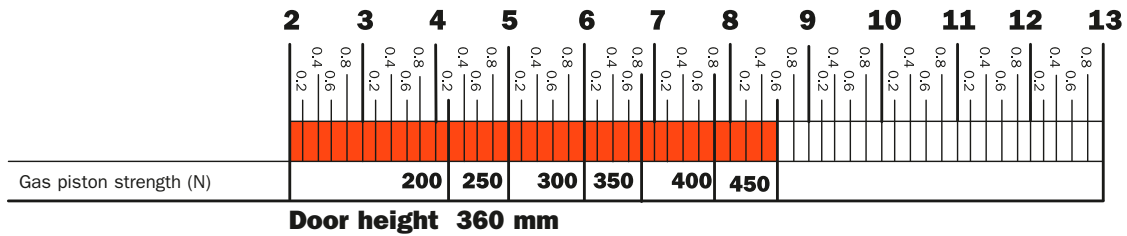
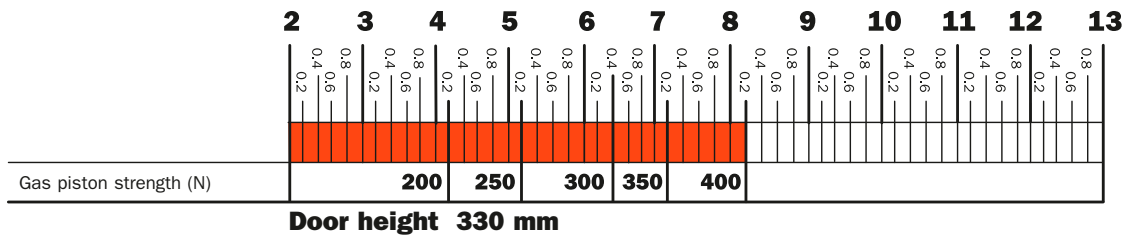
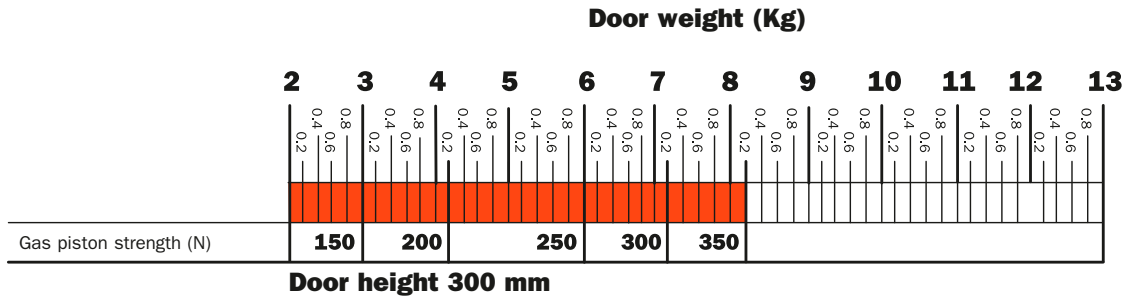


# Lift - Opening systems - Flap door - Gas piston strength

## Chart for FLMGSExxx pistons with single-operation door opening (systems with one piston)

Chart to define the exact strength (N) of the pistons to be used in relationship with the dimensions and weight of the doors.  
It is suggested that some assembly trials are made.  
Our technical Assistance Service is at your disposal for any additional information.

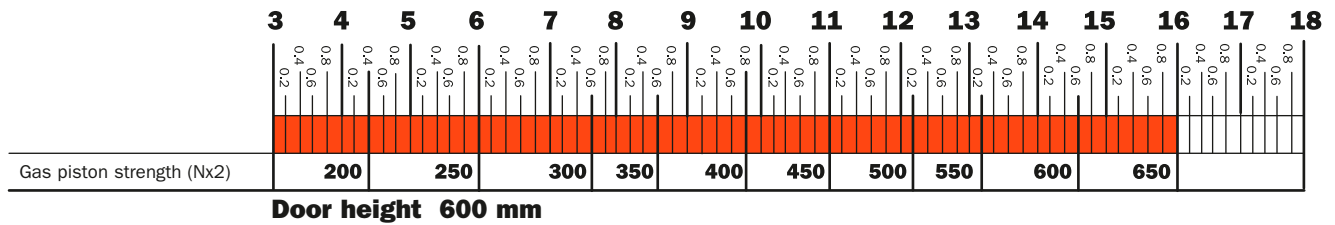
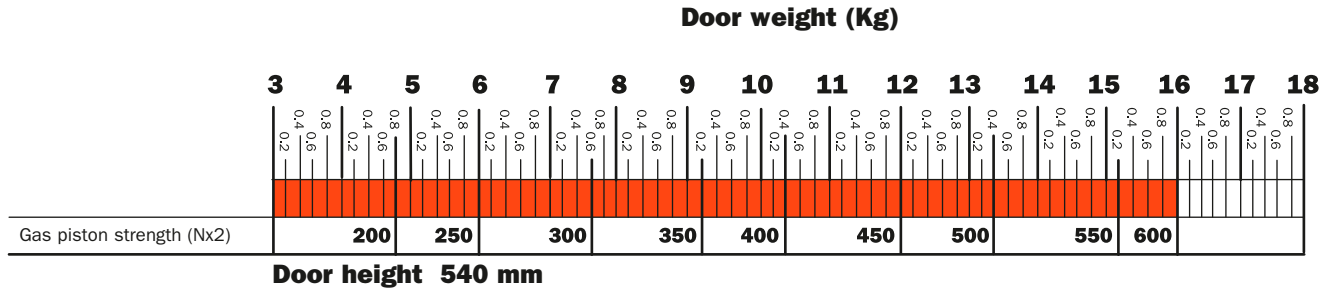
Cabinet width 600, 900 and 1200 mm



## Chart for FLMGSExxx pistons with single-operation door opening (systems with two pistons)

Chart to define the exact strength (N) of the pistons to be used in relationship with the dimensions and weight of the doors.  
It is suggested that some assembly trials are made.  
Our technical Assistance Service is at your disposal for any additional information.

**Cabinet width 600, 900 and 1200 mm**

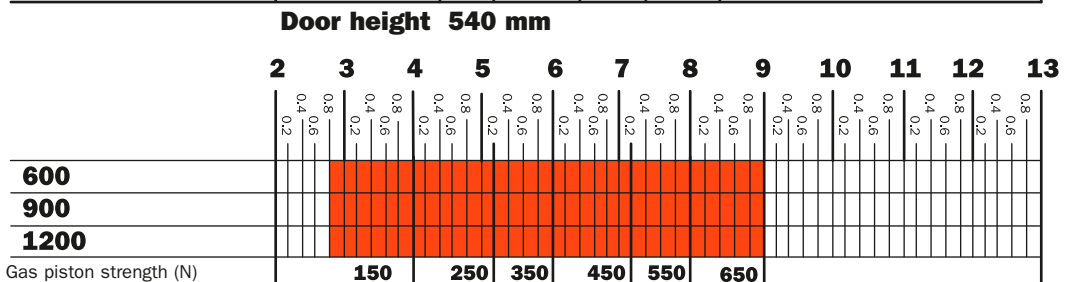
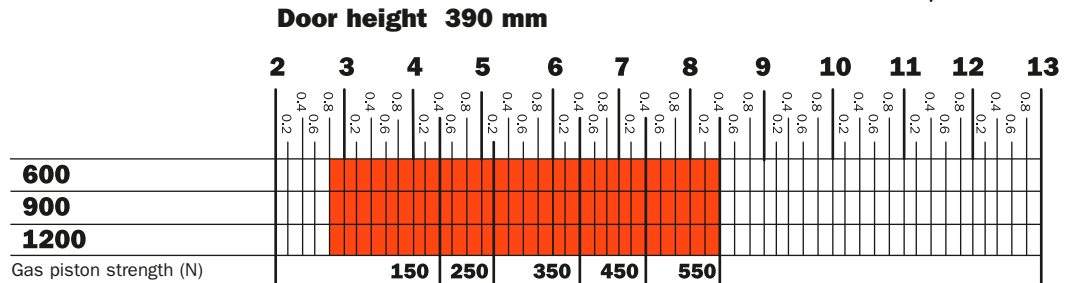
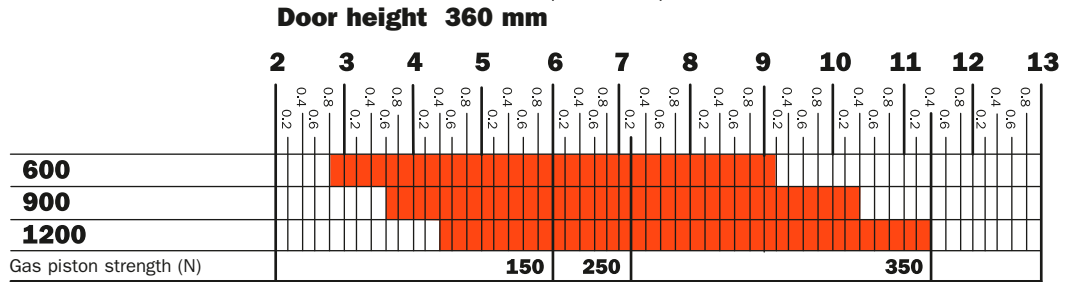
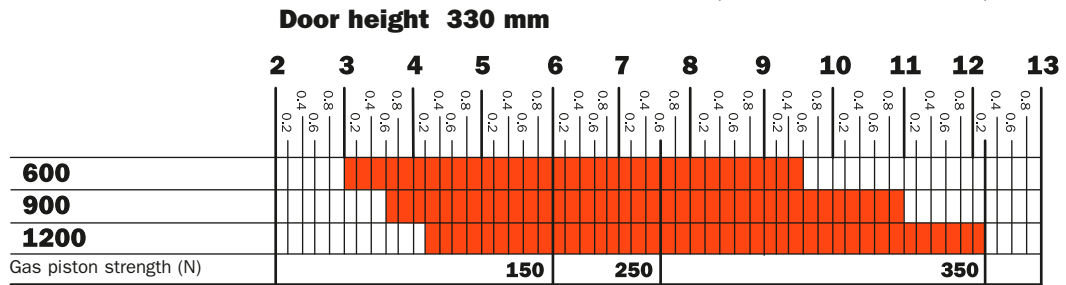
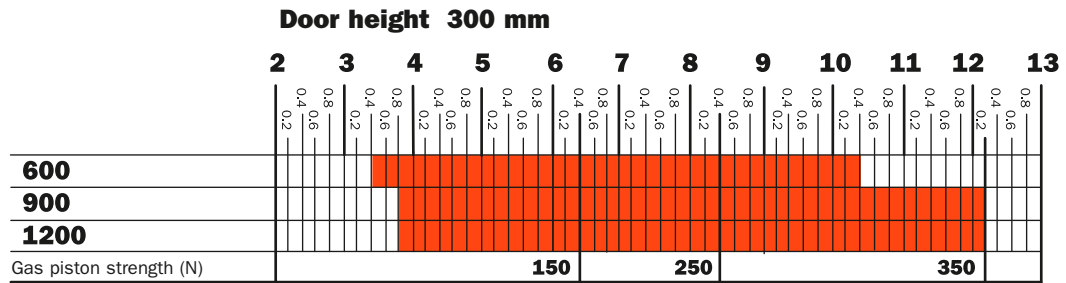
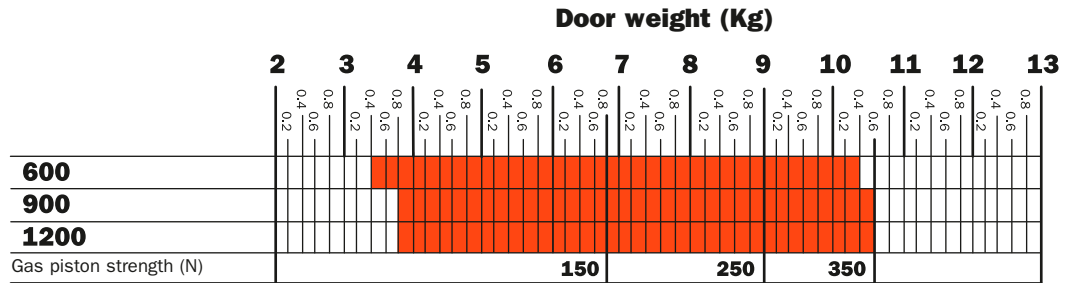


# Lift - Opening systems - Flap door - Gas piston strength

## Chart for FLMGRExxx piston with progressive-operation door opening (systems with one piston)

Chart to define the exact strength (N) of the pistons to be used in relationship with the dimensions and weight of the doors.  
It is suggested that some assembly trials are made. Our technical Assistance Service is at your disposal for any additional information.

Cabinet width (mm)



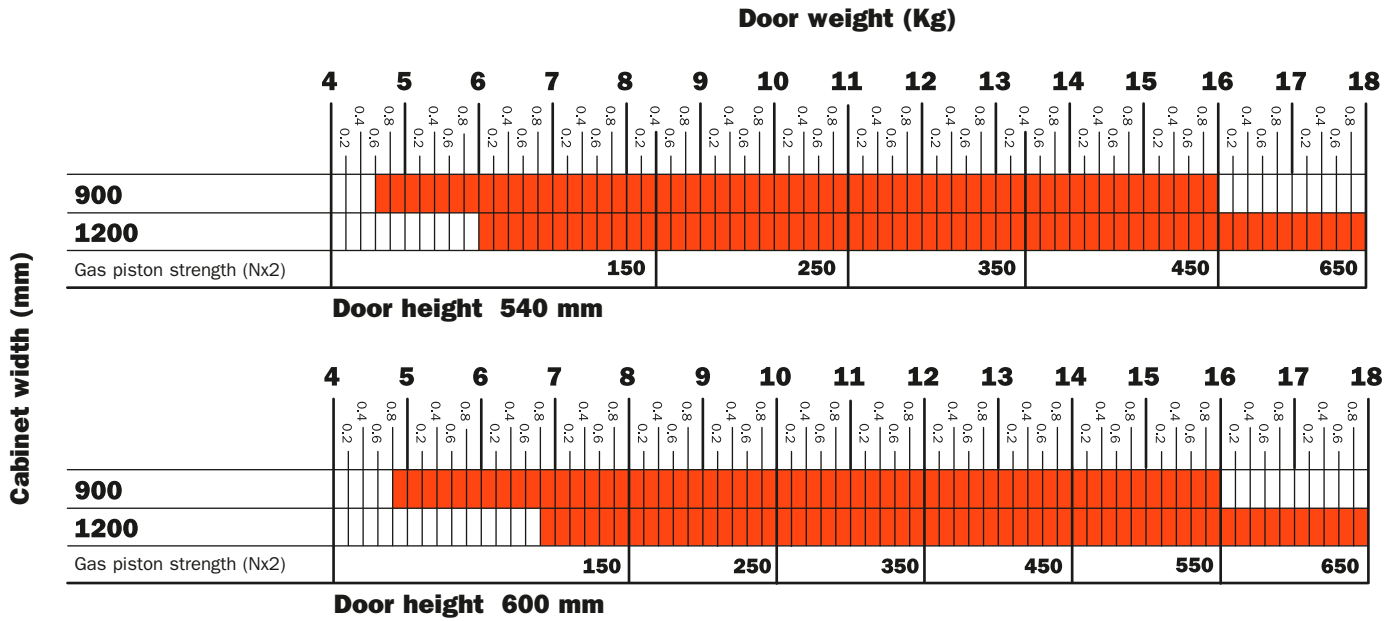
**Door height 600 mm**

## Chart for FLMGRExxx piston with progressive-operation door opening (system with two pistons)

Chart to define the exact strength (N) of the pistons to be used in relationship with the dimensions and weight of the doors.

It is suggested that some assembly trials are made.

Our technical Assistance Service is at your disposal for any additional information.







## Lift - Opening systems - Folding door





## Part number composition

- F** = Lifting system
- L1** = Folding door opening
- D/S** = Right or left versions
- LL** = Cabinet height
- XX** = Special options
- SN** = Cover with Salice logo / **99** = Cover with holes for cover cap
- X** = Color of the cover
- X1** = Cover with silk-screen printed logo

**FL1XLLXXSNX**

**D** = right version  
**S** = left version

**Cabinet height:**  
60 = 600 mm  
66 = 660 mm  
72 = 720 mm  
78 = 780 mm  
91 = 914 mm

**G** = grey cover  
**1** = white cover  
**9** = nickel-pl. cover



**FL1XLLXX999**

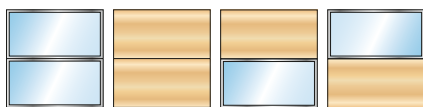
Part number for Lift system supplied with nickel-plated cover with holes for cover cap.

Cover cap to be ordered separately.



**FL1XLLXX\_9X1**

Part number for Lift system supplied with nickel-plated cover with silk-screen printed logo.



## Components of the system



### FL1DLLXSNX

Lifting system - **right** side

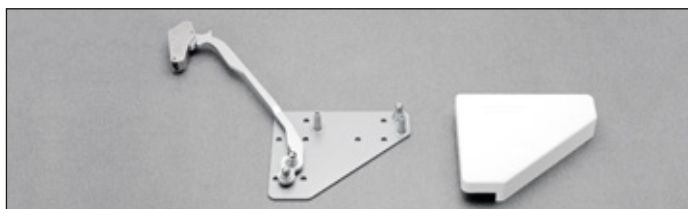
Cover

#### Color of the cover:

G = grey  
1 = white  
9 = nickel-pl.

#### Packing

Boxes 12 pcs.



### FL1SLLXSNX

Lifting system - **left** side

Cover

#### Color of the cover:

G = grey  
1 = white  
9 = nickel-pl.

#### Packing

Boxes 12 pcs.

## To be ordered separately:

### C2\_6A99



Hinge for door.  
See page 28 and 29 to complete the part number with the available fixing systems.

#### Packing

Boxes 300 pcs.

### BAPGR39



Mounting plate for the top of the wall cabinet.  
Mounting plate for door.

#### Packing

Boxes 300 pcs.

### FLMGSE **XXX** ← Fill with the required piston strength



Gas piston.  
See page 36 to complete the part number with the appropriate piston strength.

#### Packing

Boxes 12 pcs.

### D00SSNG



Smove

For doors of small weight and dimensions.

#### Packing

Boxes 250 pcs.

### FLMGRE **XXX** ← Fill with the required piston strength



Progressive gas piston.  
See page 36 to complete the part number with the appropriate piston strength.

#### Packing

Boxes 12 pcs.

### D00FSNG



Smove

For doors of middle weight and dimensions.

#### Packing

Boxes 250 pcs.

### FLC\_E9R



Center bi-fold with height and side adjustment + -1.5 mm.  
See page 28 and 29 to complete the part number with the available attachment systems.

#### Packing

Boxes 150 pcs.

### D00LSNG



Smove

For doors of large weight and dimensions.

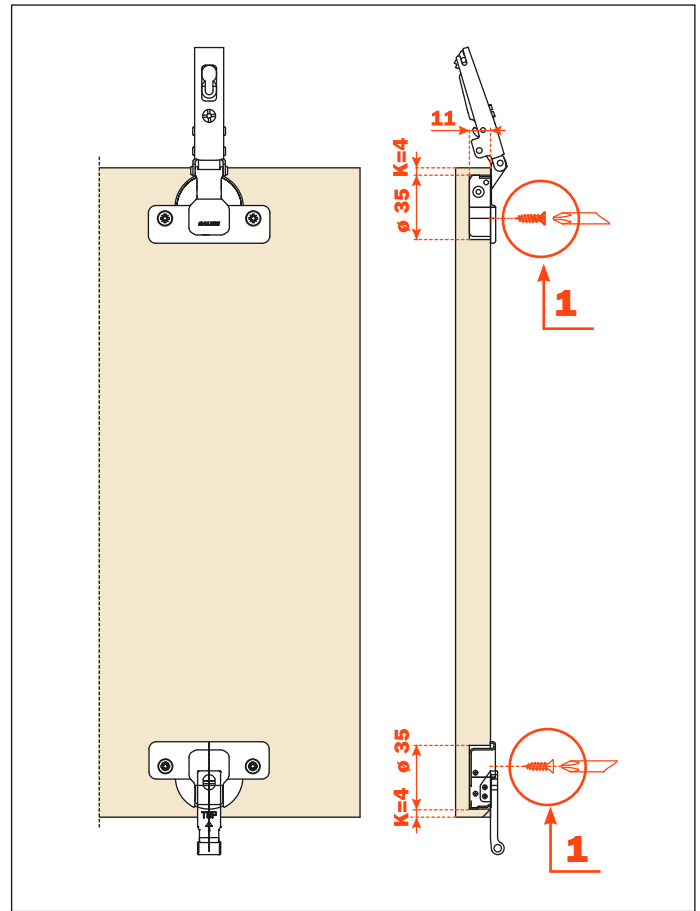
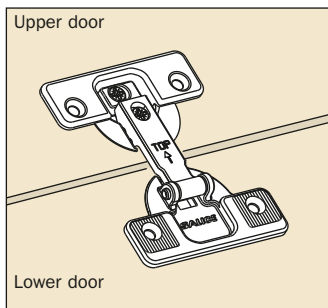
#### Packing

Boxes 250 pcs.

## Drilling pattern for the upper wood door

### Available attachment systems for the hinge cup:

- A** = wood screw 48x6 mm drilling
- P** = wood screw 45x9.5 mm drilling
- U** = wood screw 52x5.5 mm drilling
- B** = dowel 48x6 mm drilling
- R** = dowel 45x9.5 mm drilling
- W** = dowel 52x5.5 mm drilling
- 6** = Rapido 48x6 mm drilling
- 7** = Rapido 45x9.5 mm drilling
- 2** = Rapido 52x5.5 mm drilling



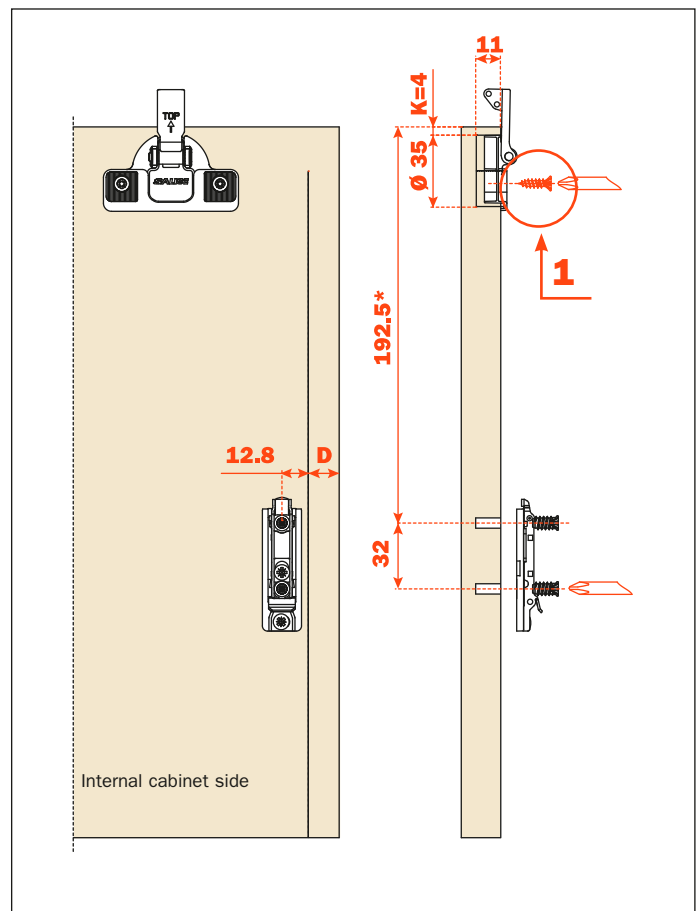
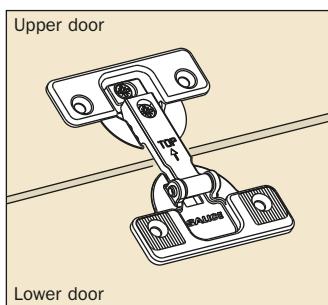
## Drilling pattern for the lower wood door

### Available attachment systems for the hinge cup:

- A** = wood screw 48x6 mm drilling
- P** = wood screw 45x9.5 mm drilling
- U** = wood screw 52x5.5 mm drilling
- B** = dowel 48x6 mm drilling
- R** = dowel 45x9.5 mm drilling
- W** = dowel 52x5.5 mm drilling
- 6** = Rapido 48x6 mm drilling
- 7** = Rapido 45x9.5 mm drilling
- 2** = Rapido 52x5.5 mm drilling

**D** = side overlay

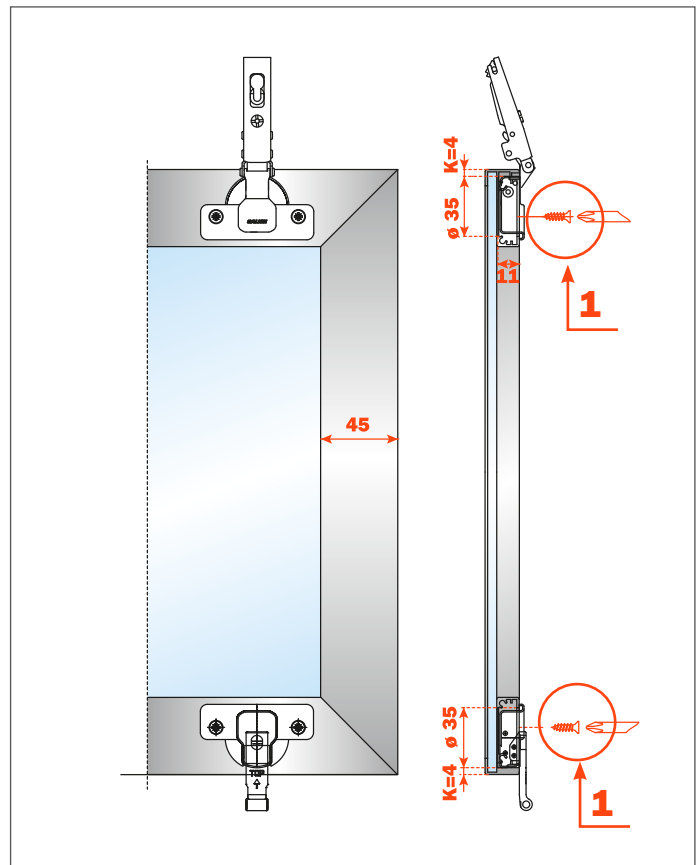
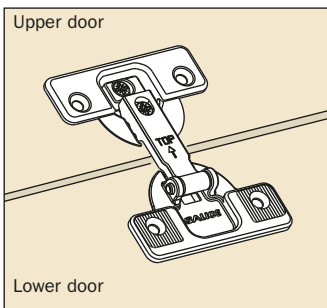
\* Dimension is valid for cabinet heights 600, 660, 720 and 780 mm.  
For cabinets of different heights, please consult Salice customer service for the correct value.



## Drilling pattern for the upper alu-framed door - width min. 45 mm

### Available attachment systems for the hinge cup:

- A** = woodscrew 48x6 mm drilling
- P** = woodscrew 45x9.5 mm drilling
- U** = woodscrew 52x5.5 mm drilling



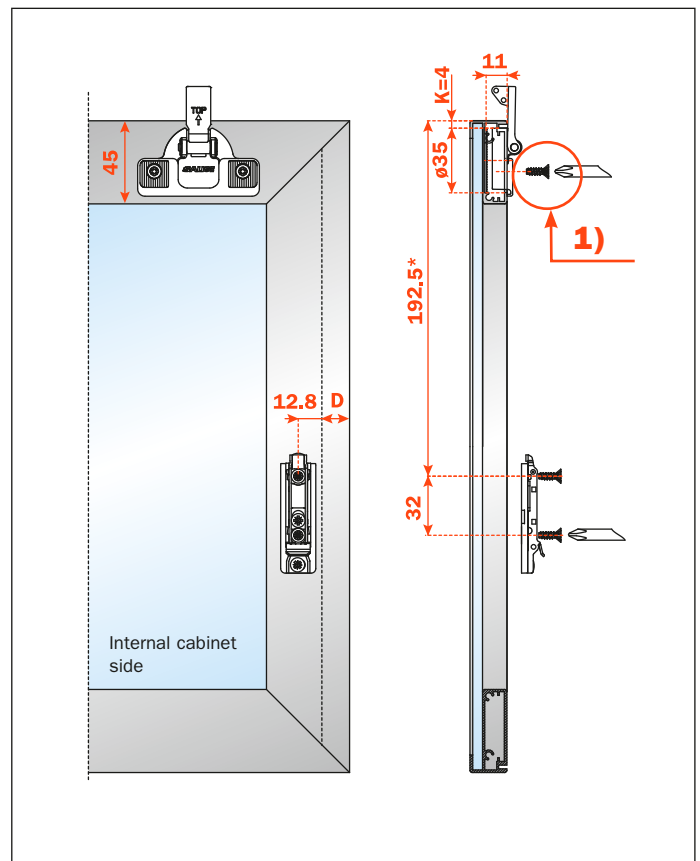
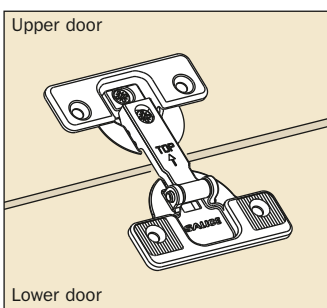
## Drilling pattern for the lower alu-framed door - width min. 45 mm

### Available attachment systems for the hinge cup:

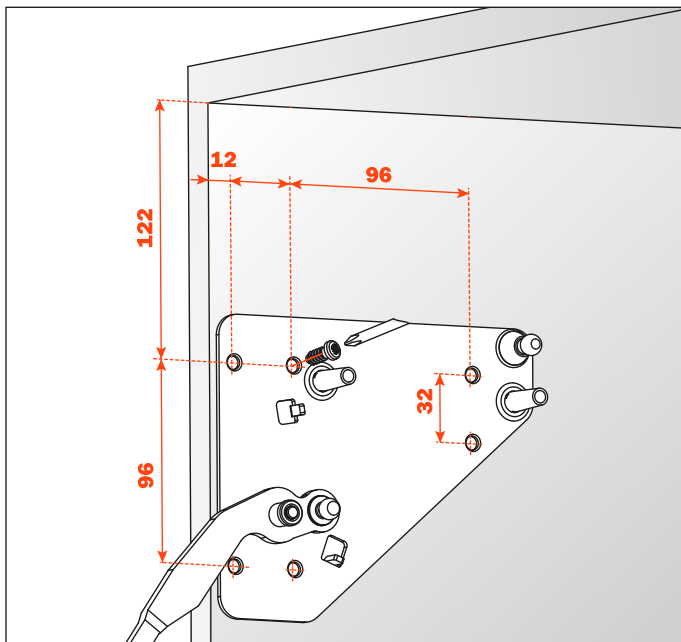
- A** = wood screw 48x6 mm drilling
- P** = wood screw 45x9.5 mm drilling
- U** = wood screw 52x5.5 mm drilling

**D** = side overlay

\* Dimension is valid for cabinet heights 600, 660, 720 and 780 mm.  
For cabinets of different heights, please consult Salice customer service for the correct value.

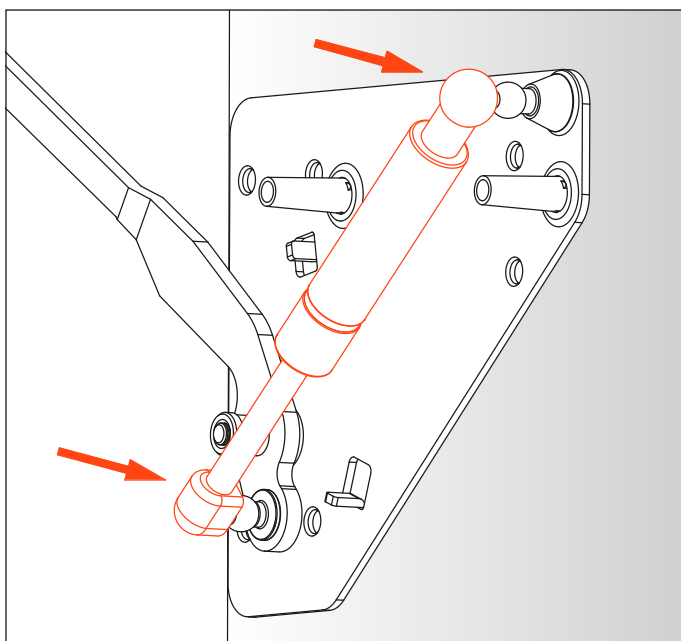


## Attaching the support to the cabinet side



## Deploying the piston

Carefully press each end of the piston securely onto the pins on the bracket and lifting arm, ensuring that the body of the piston is at the top.

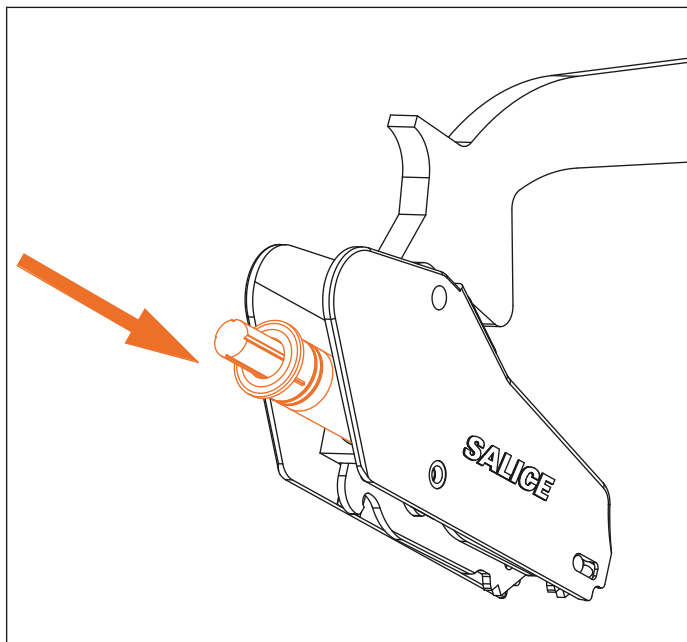


## Installing the Smove

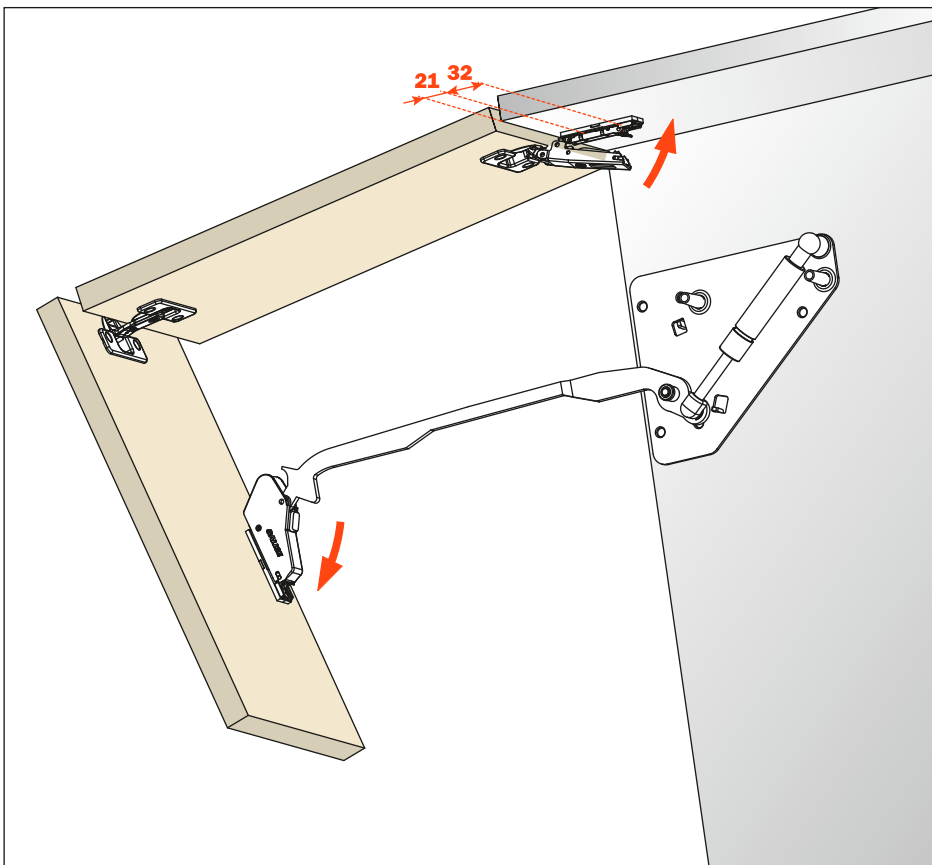
We suggest:

**DOOFSNG** for doors up to 6 kg

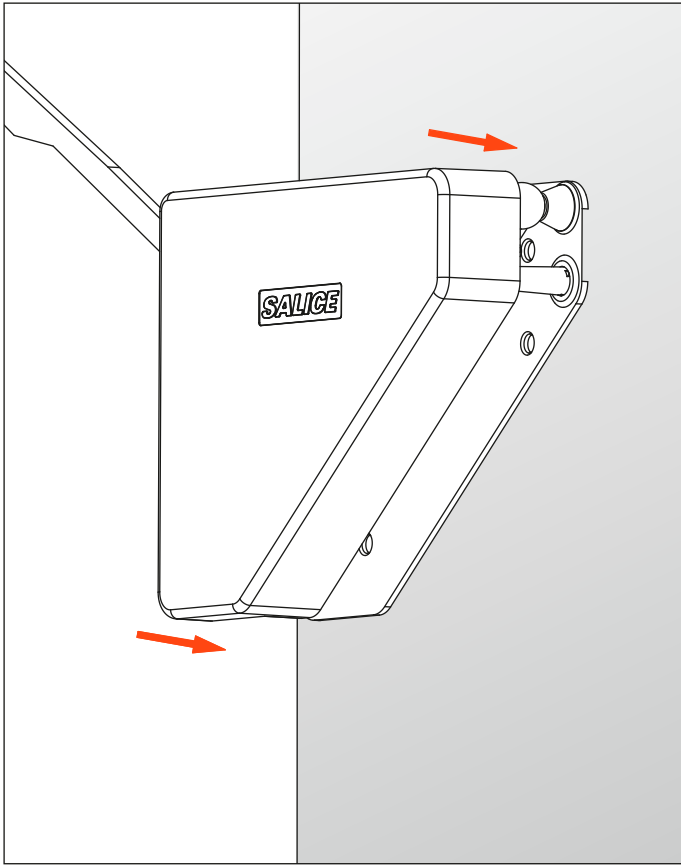
**DOOLSNG** for doors over 6 kg



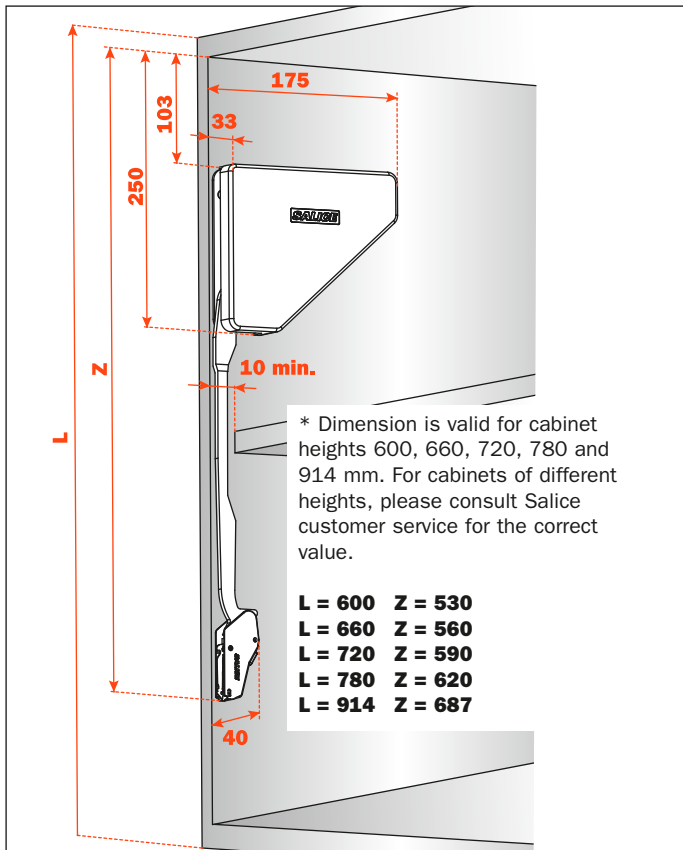
## Attaching the doors to the cabinet



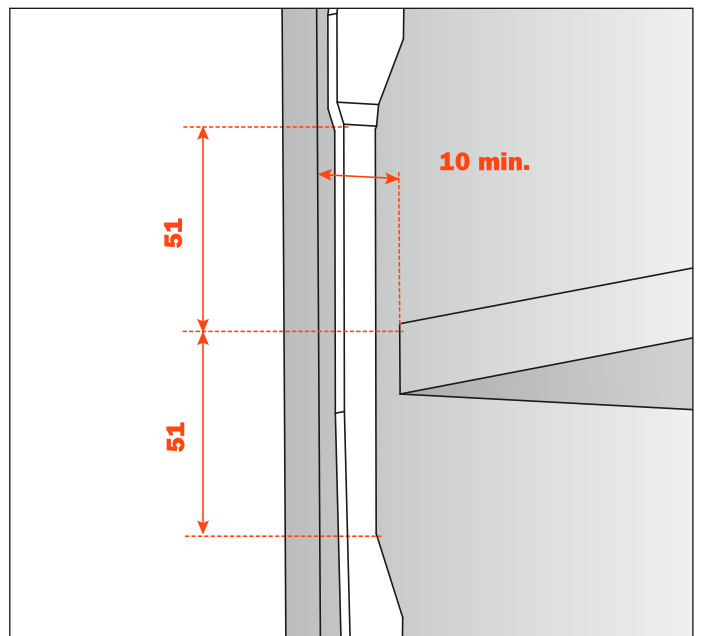
## Installing the cover



## Dimensions of the system



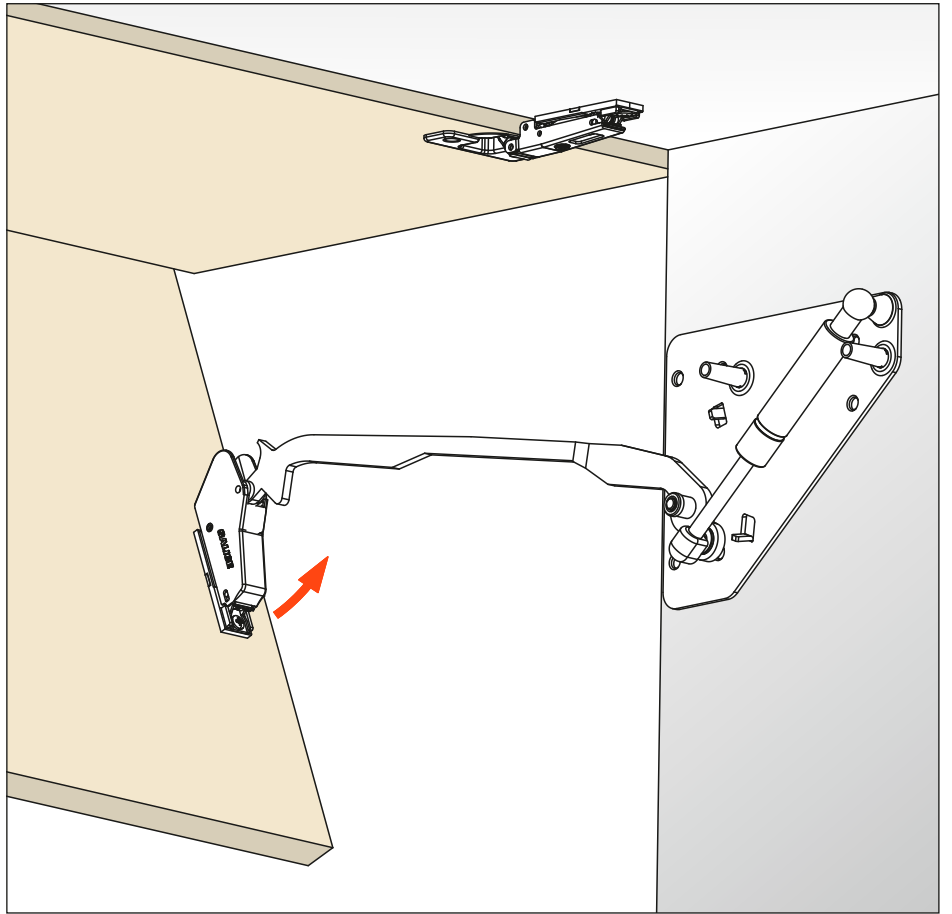
The shape of the lifting arm allows the use of shelves with a reduced depth of 10 mm only compared with the cabinet depth.



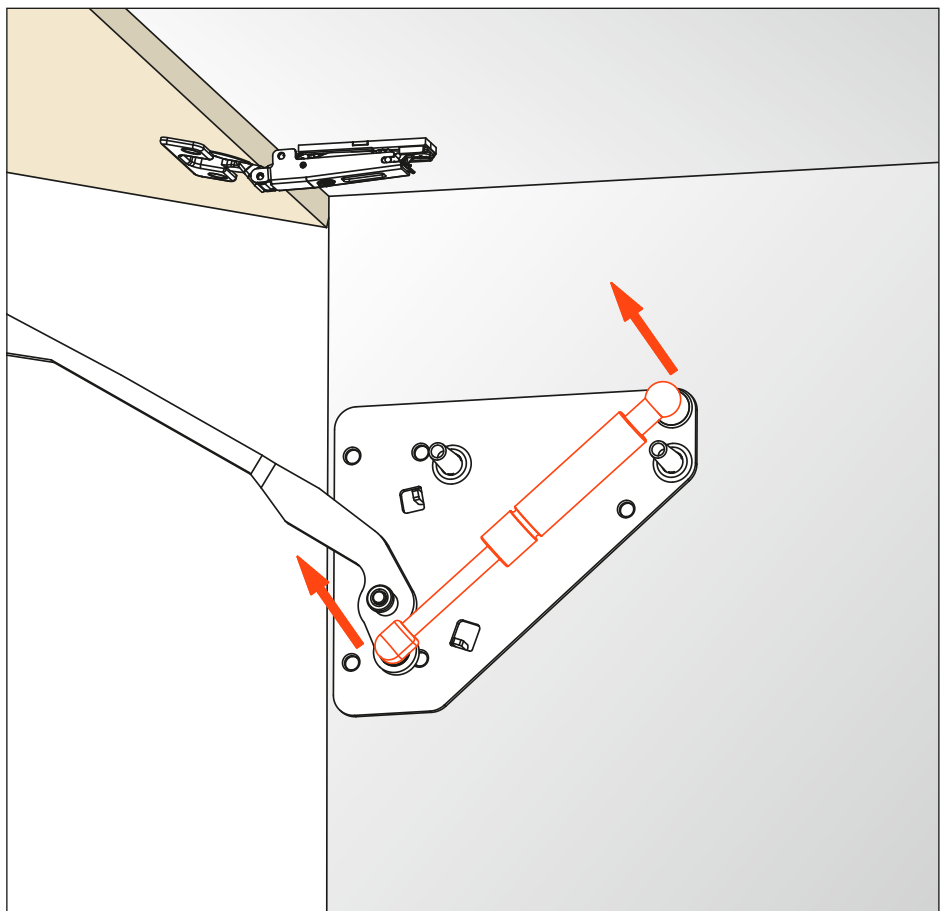


## Replacement of the gas piston

Disconnect the lever arm from the lower door



Disconnect the gas piston when it is fully extended



## 1 • Height adjustment

Adjustment range: +1.5mm / -4.5mm

- 1A** - Height adjustment for the top overlay is shown by rotating the adjustment screw shown in red (A). Door can be raised 1.5mm or lowered by 4.5mm from the original position.
- 1B** - For minor adjustments for proper spacing (gap) between the doors. If adjustments are made, B & C must be moved uniformly.
- 1C** - To adjust top and bottom door uniformly adjustments A & C must be moved in the same direction.

## 2 • Sideways adjustment

Adjustment range: +2mm / -2mm

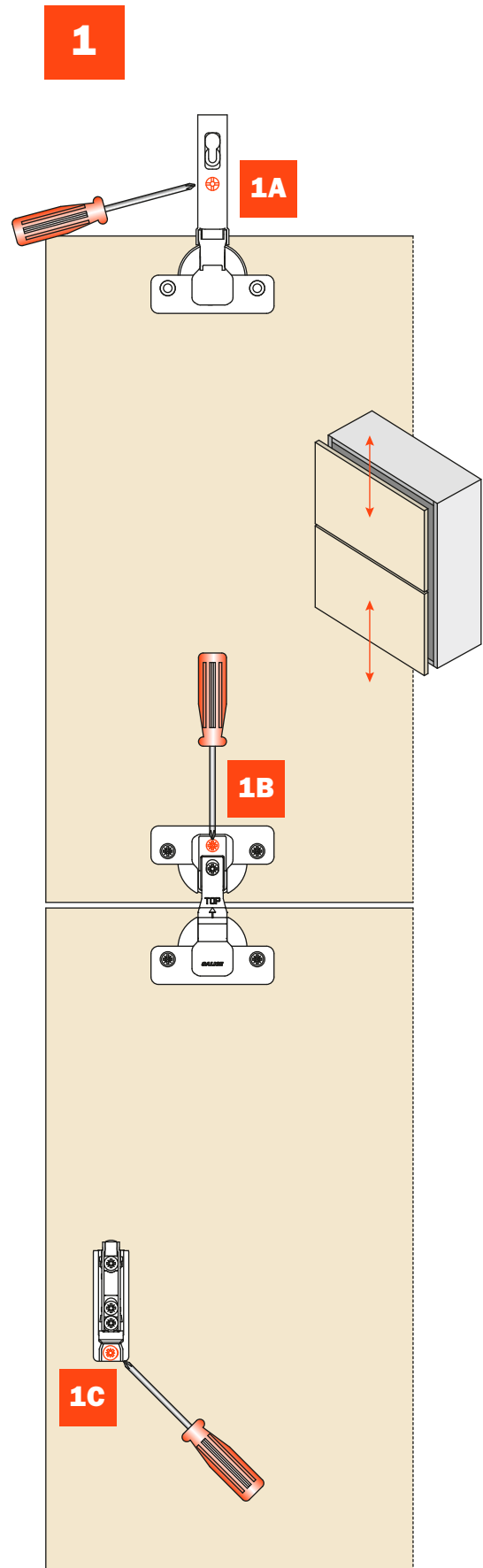
- 2A** - Side adjustment for the top and bottom door is shown by rotating the adjustment screw shown in red (2A, 2B, 2C). Doors can be moved left or right by +2mm / -2mm from the original position. Both doors should be adjusted simultaneously.

## 3 • Depth adjustment

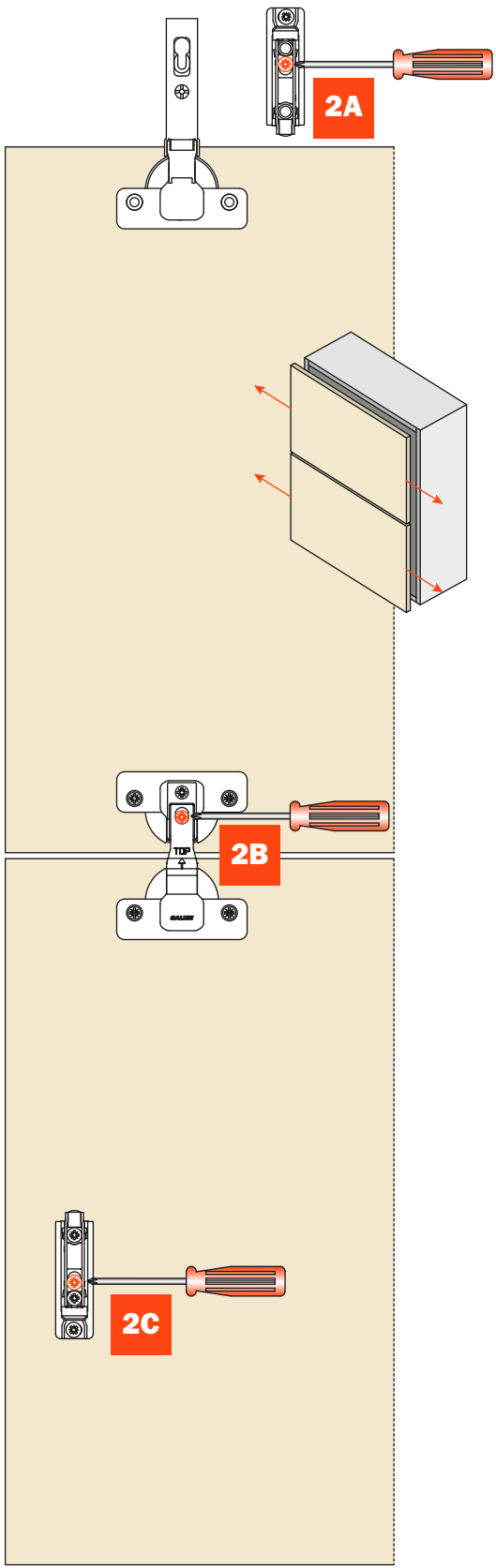
### Depth adjustment with Domi snap-on mounting plates

Adjustment range: -.5mm / +2.8mm

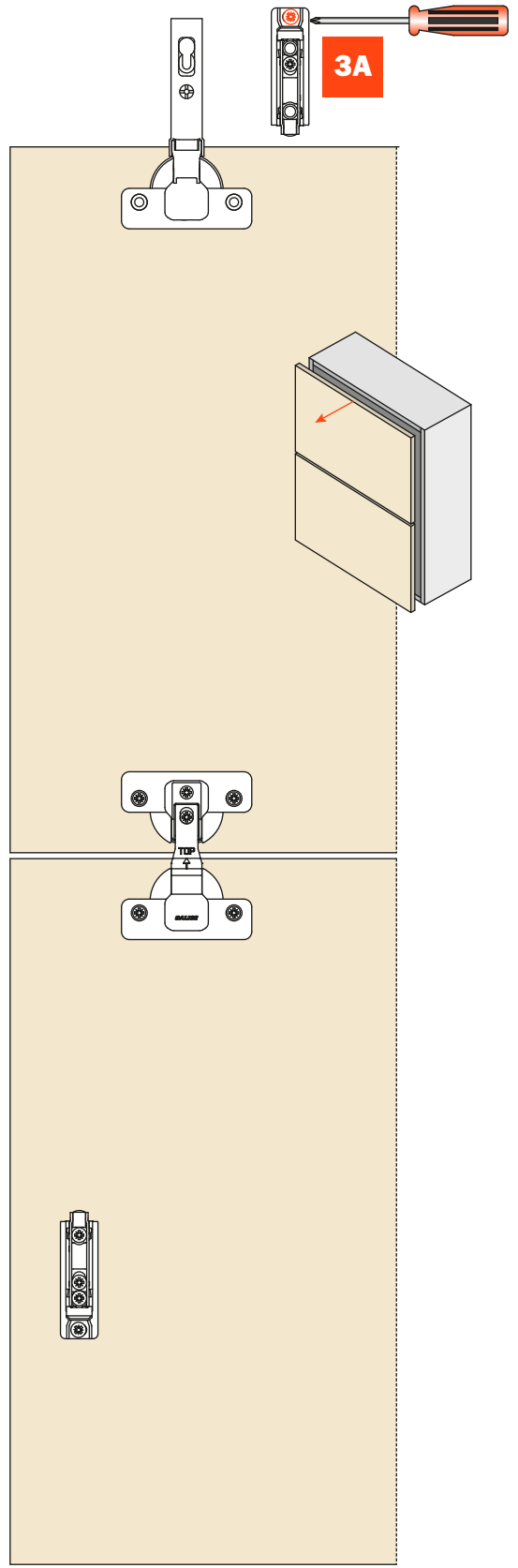
- 3A** - Depth adjustment for the top door is shown by rotating the adjustment screw shown in red (3A). Door can be moved in by -.5mm or out by +2.8mm from the original position.



2



3

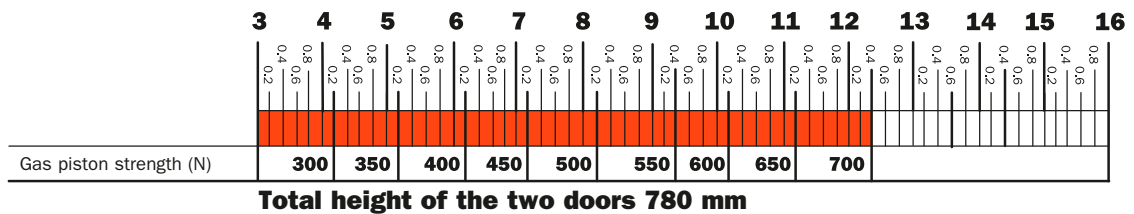
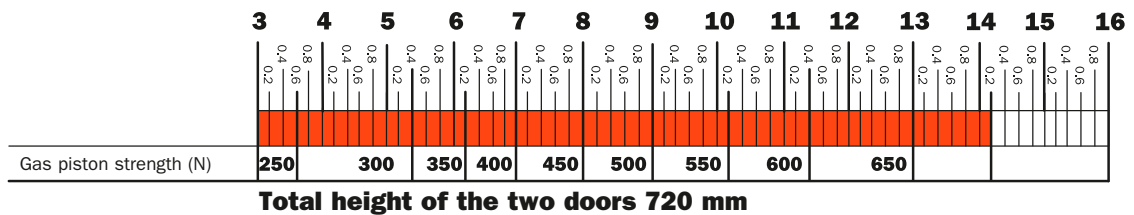
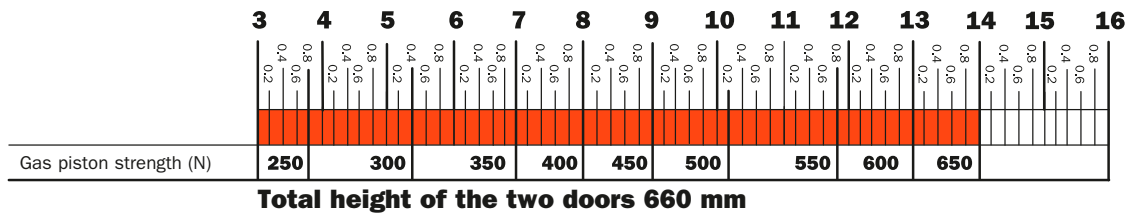
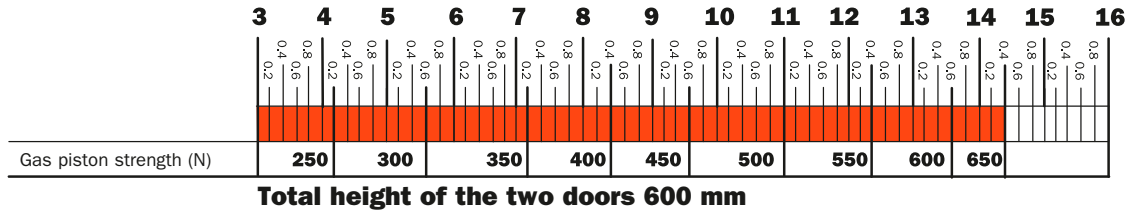


## Chart for FLMGSExxx pistons with single-operation door opening

Chart to define the exact strength of the pistons to be used in relationship with the dimensions and weight of the doors.  
It is suggested that some assembly trials are made. Our technical assistance service is at your disposal for any additional information.  
For wall cabinet width 600 mm, it is possible to use one system only, right or left version.

Cabinet width 600, 900 and 1200 mm

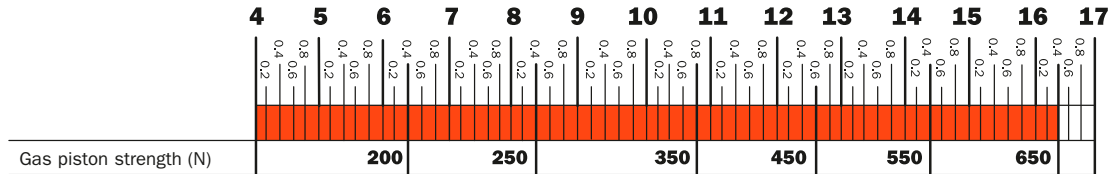
**Weight of the two doors (Kg)**



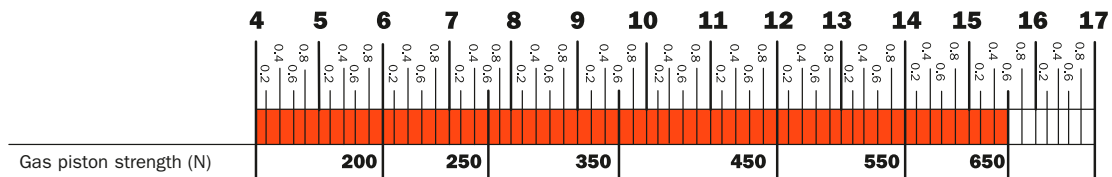
## Chart for FLMGRExxx pistons with progressive-operation door opening

Chart to define the exact strength of the pistons to be used in relationship with the dimensions and weight of the doors. It is suggested that some assembly trials are made. Our technical assistance service is at your disposal for any additional information. For wall cabinet width 600 mm, it is possible to use one system only, right or left version.

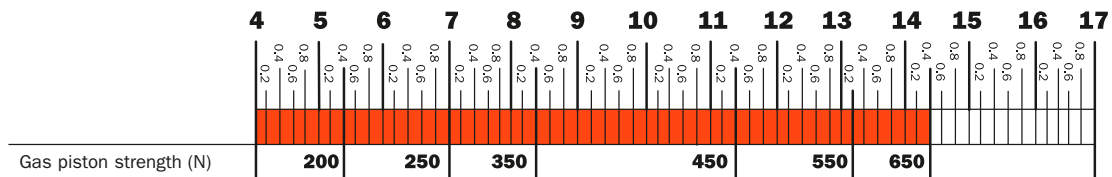
### Weight of the two doors (Kg)



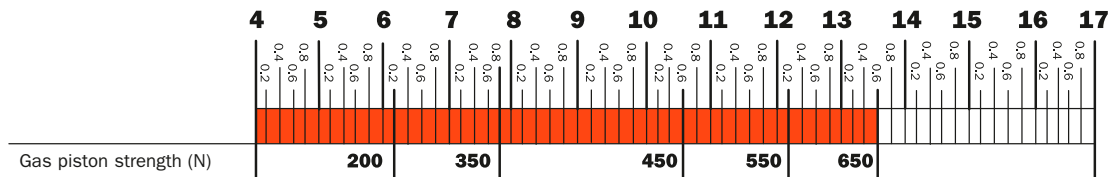
Total height of the two doors 600 mm



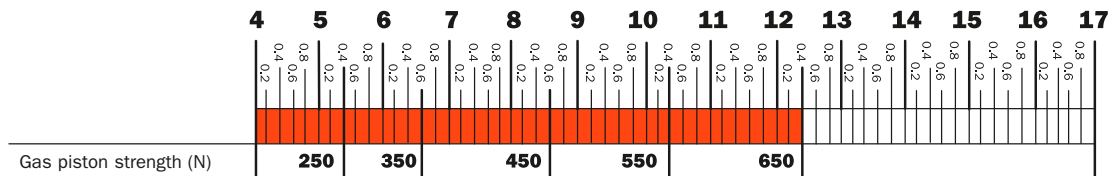
Total height of the two doors 660 mm



Total height of the two doors 720 mm



Total height of the two doors 780 mm



Total height of the two doors 910 mm

Cabinet width 600, 900 and 1200 mm



## Lift - Opening systems - Parallel opening door



**Lift - Opening systems - Parallel opening door**  
**For doors from 360 mm to 440 mm height**



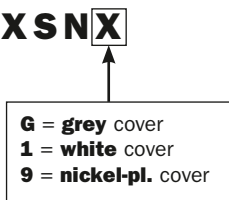




## Part number composition

- F** = Lifting system
- P** = Parallel opening door
- XXXXXX** = Special options
- SN** = Cover with Salice logo / **99** = Cover with holes for cover cap
- X** = Color of the cover
- X1** = Cover with silk-screen printed log

**FPXXXXXS****N****X**



FPXXXXXX**99**

Part number for Lift system supplied with nickel-plated cover with holes for cover cap.

Cover cap to be ordered separately.



FPXXXXXX\_ **9X1**

Part number for Lift system supplied with nickel-plated cover with silk-screen printed logo.

# Lift - Opening systems - Parallel opening door

## For doors from 360 mm to 440 mm height



### Components of the system for wood door



#### FPXXXXXXSNX

Lifting system - **right** side

Lifting system - **left** side

Cover

#### Color of the cover:

G = grey  
1 = white  
9 = nickel-pl.

#### Packing

Boxes 6 pairs

### To be ordered separately:

#### BAPGR39

Mounting plate for door



#### Packing

Boxes 300 pcs.

#### D00SSNG

Smove

For doors of small weight and dimensions.



#### Packing

Boxes 250 pcs.

#### FLMGSE XXX ← Fill with the required piston strength



Gas piston.  
See page 55 to complete the part number with the appropriate piston strength.

#### Packing

Boxes 12 pcs.

#### D00FSNG

Smove

For doors of middle weight and dimensions.



#### Packing

Boxes 250 pcs.

#### FLMGRE XXX ← Fill with the required piston strength



Progressive gas piston.  
See page 55 to complete the part number with the appropriate piston strength.

#### Packing

Boxes 12 pcs.

#### D00LSNG

Smove

For doors of large weight and dimensions.



#### Packing

Boxes 250 pcs.

### Stabilizer bar



**FPXX59KX457** for door width 600 mm  
**FPXX59KX757** for door width 900 mm  
**FPXX59K1057** for door width 1200 mm

#### Packing

Boxes 6 pcs.



## Components of the system for alu-framed door



### FPXXXXXXSNX

Lifting system - **right** side

Lifting system - **left** side

Cover

### Color of the cover:

G = grey  
1 = white  
9 = nickel-pl.

### Packing

Boxes 6 pairs

### To be ordered separately:

#### BAP3R39

Mounting plate for door



### Packing

Boxes 300 pcs.

#### D00SSNG

Smove

For doors of small weight and dimensions.



### Packing

Boxes 250 pcs.

#### FLMGSE **XXX** ← Fill with the required piston strength



Gas piston.  
See page 55 to complete the part number with the appropriate piston strength.

### Packing

Boxes 12 pcs.

#### D00FSNG

Smove

For doors of middle weight and dimensions.



### Packing

Boxes 250 pcs.

#### FLMGRE **XXX** ← Fill with the required piston strength



Progressive gas piston.  
See page 55 to complete the part number with the appropriate piston strength.

### Packing

Boxes 12 pcs.

#### D00LSNG

Smove

For doors of large weight and dimensions.



### Packing

Boxes 250 pcs.

#### DBZXBH9

Support for plate with attachment screws.



### Packing

Boxes 150 pcs.

#### Stabilizer bar



**FPXX59KX457** for door width 600 mm  
**FPXX59KX757** for door width 900 mm  
**FPXX59K1057** for door width 1200 mm

### Packing

Boxes 6 pcs.

# Lift - Opening systems - Parallel opening door

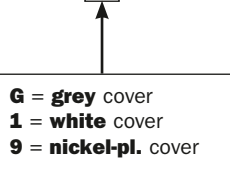
## For doors from 440 mm to 660 mm height



### Part number composition

- F** = Lifting system
- P** = Parallel opening door
- XXXXXX** = Special options
- SN** = Cover with Salice logo / **99** = Cover with hole for cover cap
- X** = Color of the cover
- L** = Long arm
- X1** = Cover with silk-screen printed logo

**FPXXXXXS<sup>X</sup>N<sup>X</sup>L**



**FPXXXXX999L**

Part number for LIFT system supplied with nickel-plated cover with hole for cover cap.



**FPXXXXX\_9LX1**

Part number for LIFT system supplied with nickel-plated cover with silk-screen printed logo.



## Components of the system for wood door



### FPXXXXXXSNXL

Lifting system - **right** side

Lifting system - **left** side

Cover.

### Color of the cover:

G = grey  
1 = white  
9 = nickel-pl.

### Packing

Boxes 6 pairs

## To be ordered separately:

### BAPGR39

Mounting plate for door



### Packing

Boxes 300 pcs.

### D00SSNG

Smove

For doors of small weight and dimensions.



### Packing

Boxes 250 pcs.

### FLMGSE **XXX** ← Fill with the required piston strength



Gas piston.  
See page 56 to complete the part number with the appropriate piston strength.

### Packing

Boxes 12 pcs.

### D00FSNG

Smove

For doors of middle weight and dimensions.



### Packing

Boxes 250 pcs.

### FLMGRE **XXX** ← Fill with the required piston strength



Progressive gas piston.  
See page 57 to complete the part number with the appropriate piston strength.

### Packing

Boxes 12 pcs.

### D00LSNG

Smove

For doors of large weight and dimensions.



### Packing

Boxes 250 pcs.

## Stabilizer bar



**FPXX59KX457** for door width 600 mm  
**FPXX59KX757** for door width 900 mm  
**FPXX59K1057** for door width 1200 mm

### Packing

Boxes 6 pcs.

# Lift - Opening systems - Parallel opening door

## For doors from 440 mm to 660 mm height



### Components of the system for alu-framed door



#### FPXXXXXXSNXL

Lifting system - **right** side

Lifting system - **left** side

Cover

#### Color of the cover:

G = grey  
1 = white  
9 = nickel-pl.

#### Packing

Boxes 6 pairs

### To be ordered separately:

#### BAP3R39

Mounting plate for door



#### Packing

Boxes 300 pcs.

#### D00SSNG

Smove



For doors of small weight and dimensions.

#### Packing

Boxes 250 pcs.

#### FLMGSE **XXX** ← Fill with the required piston strength



Gas piston.  
See page 56 to complete the part number with the appropriate piston strength.

#### Packing

Boxes 12 pcs.

#### D00FSNG

Smove



For doors of middle weight and dimensions.

#### Packing

Boxes 250 pcs.

#### FLMGRE **XXX** ← Fill with the required piston strength



Progressive gas piston.  
See page 57 to complete the part number with the appropriate piston strength.

#### Packing

Boxes 12 pcs.

#### D00LSNG

Smove



For doors of large weight and dimensions.

#### Packing

Boxes 250 pcs.

#### DBZXBH9

Support for plate with attachment screws.



#### Packing

Boxes 150 pcs.

### Stabilizer bar



**FPXX59KX457** for door width 600 mm

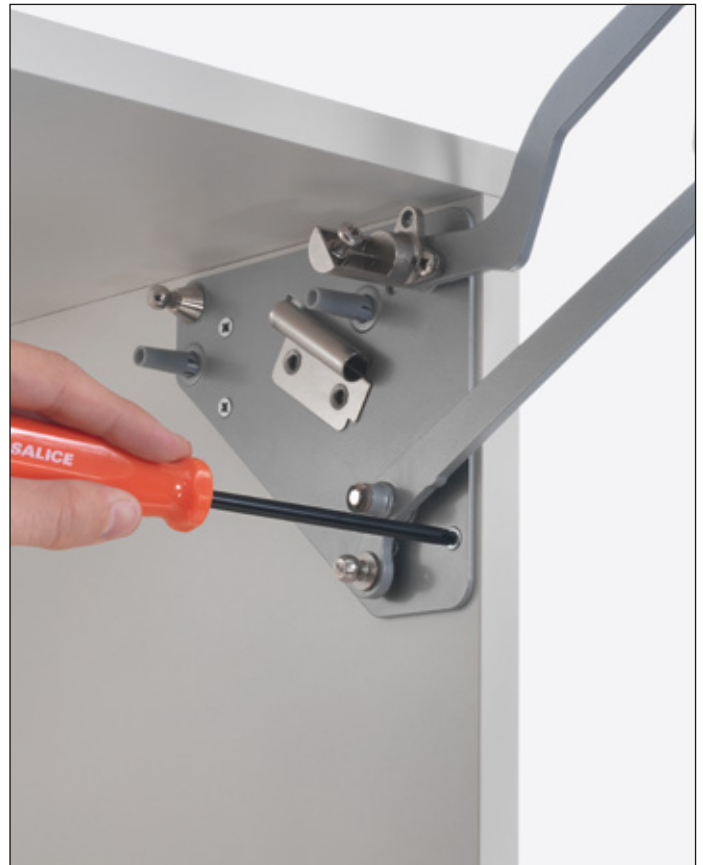
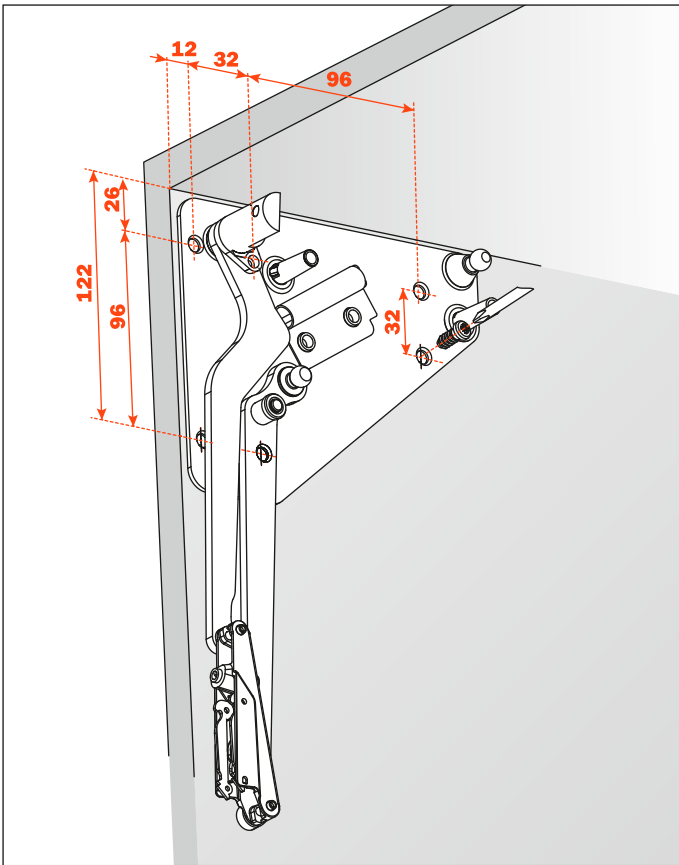
**FPXX59KX757** for door width 900 mm

**FPXX59K1057** for door width 1200 mm

#### Packing

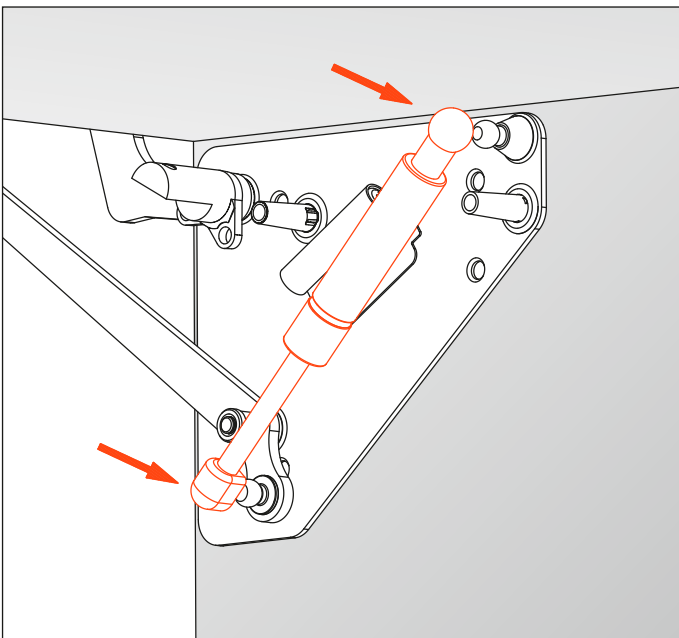
Boxes 6 pcs.

**Attaching the support to the cabinet side**

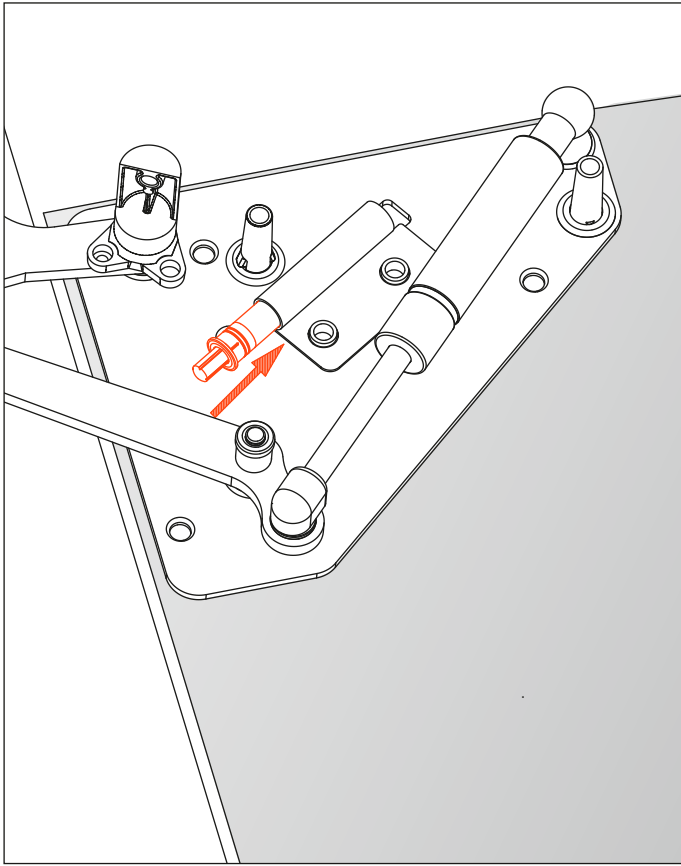


**Deploying the piston**

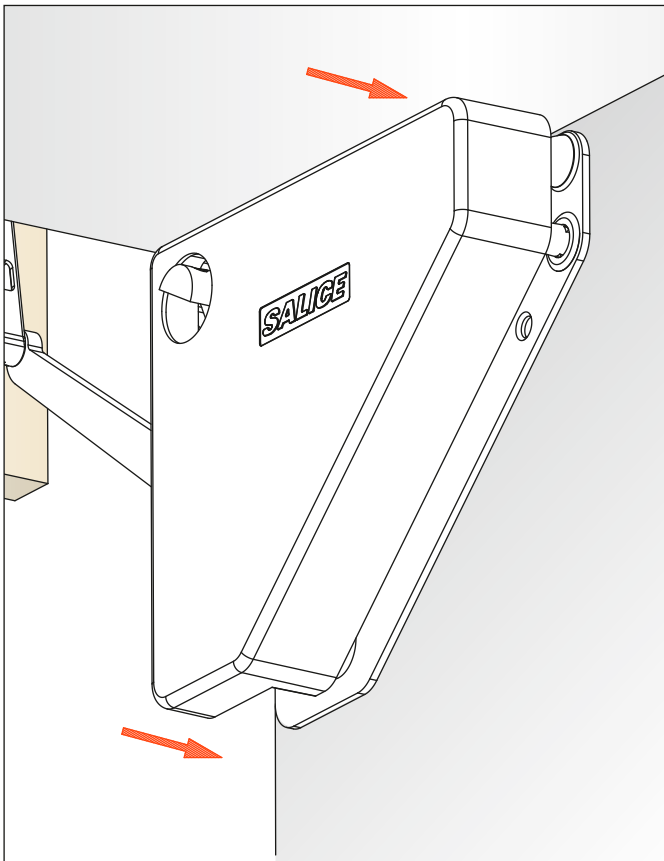
Carefully press each end of the piston securely onto the pins on the bracket and lifting arm, ensuring that the body of the piston is at the top.



**Installing the Smove**

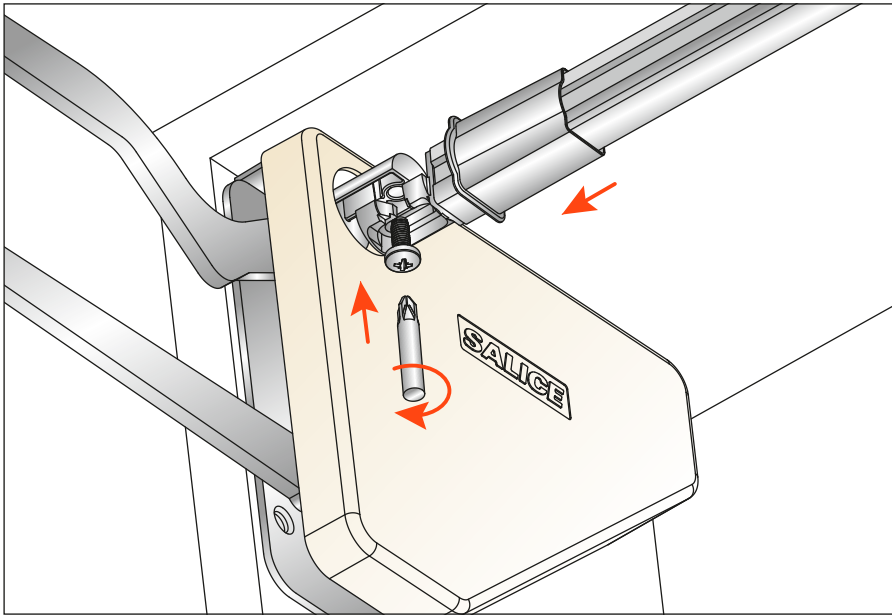


**Installing the cover**

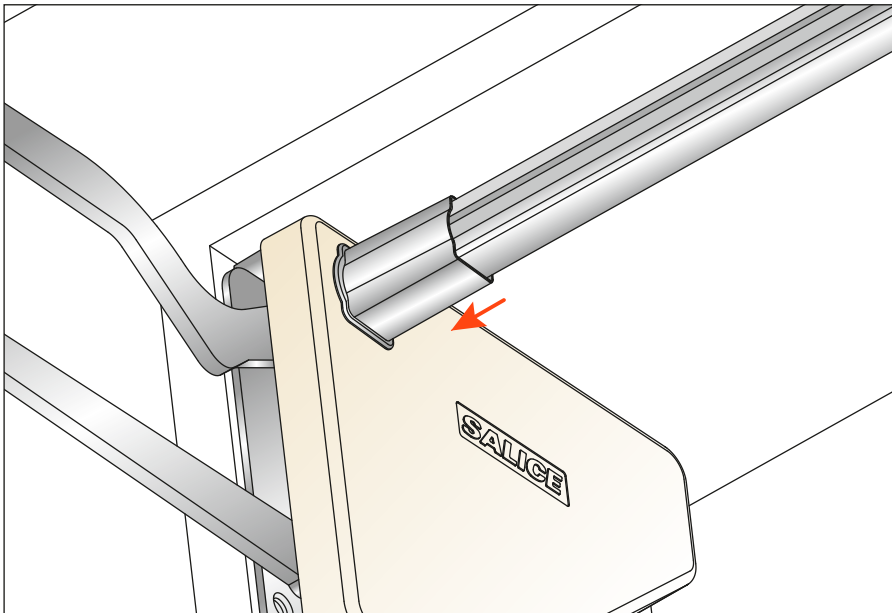




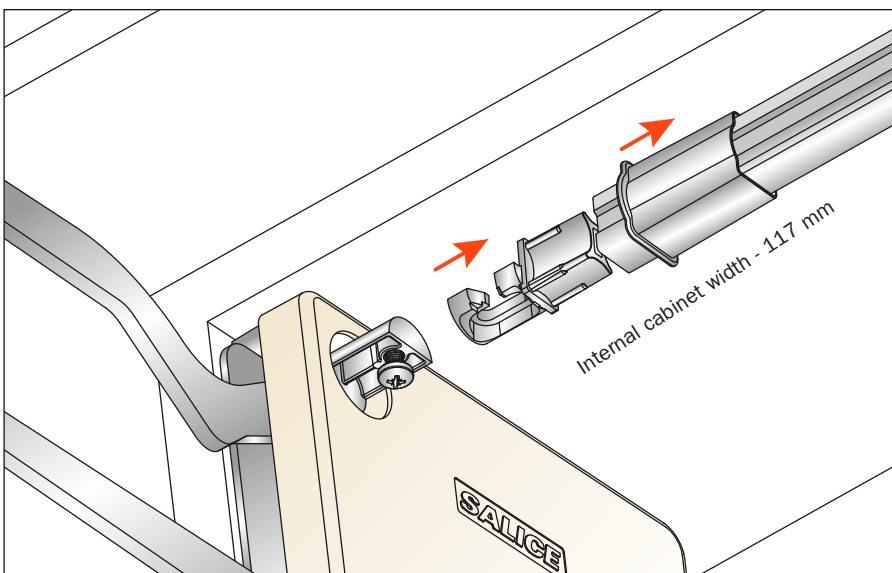
## Attaching the stabilizer bar



Insert the ends of the bar into the housing and fasten the attachment screw.

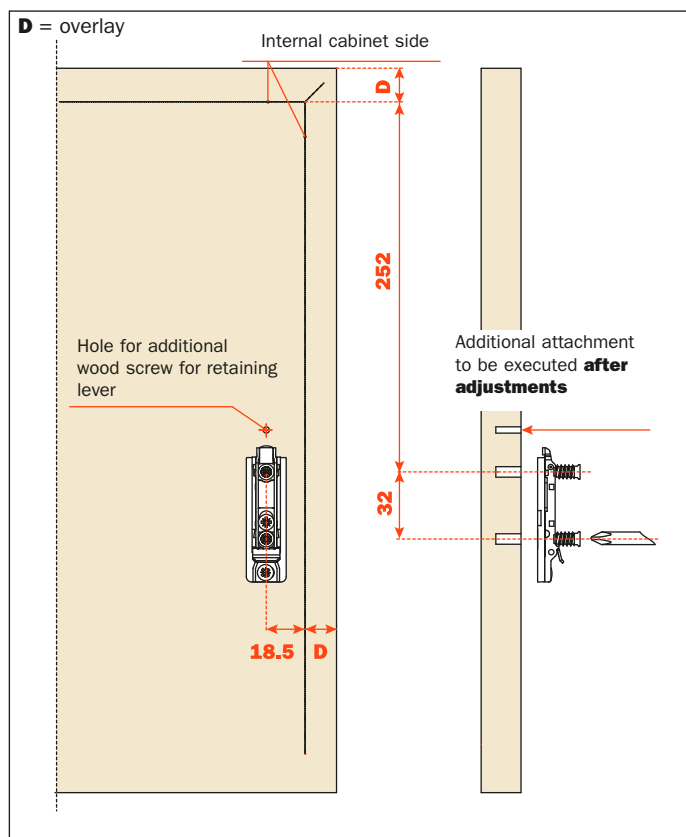


Slide the sleeves over the housing at each end of the bar.

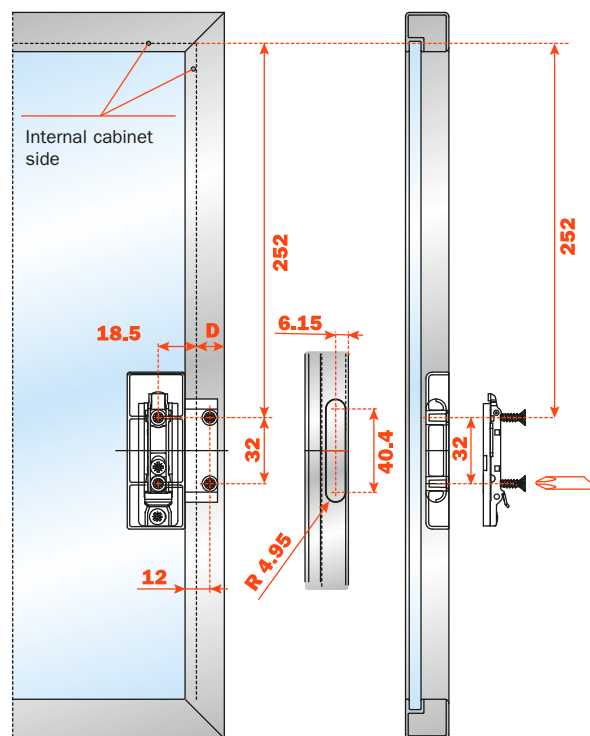


In case of cabinets with special widths, pull the bar end off one side and cut it accordingly. Re-insert the bar end into the housing.

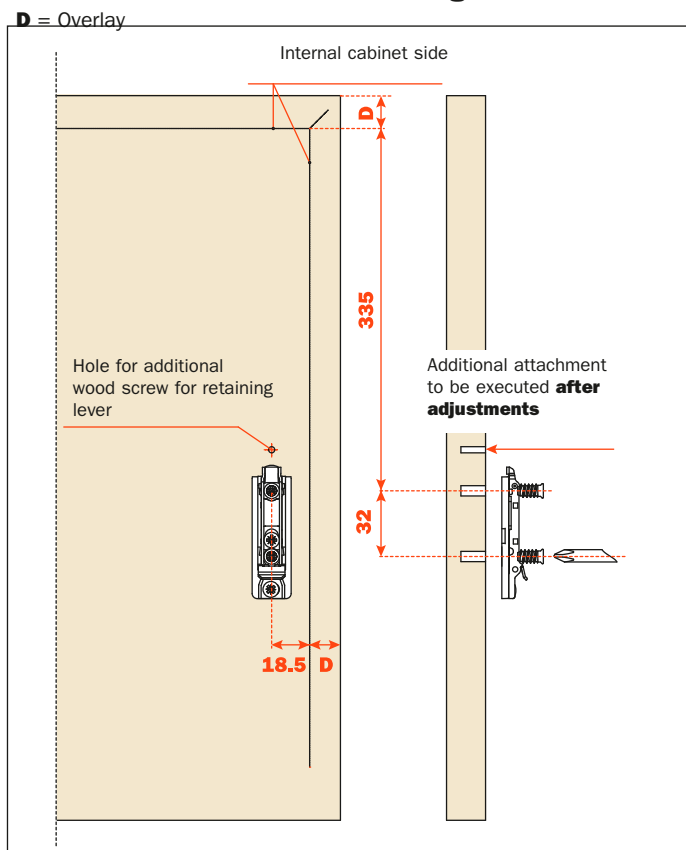
## Drilling pattern for wood door and alu-framed door For doors from 360 to 440 mm height



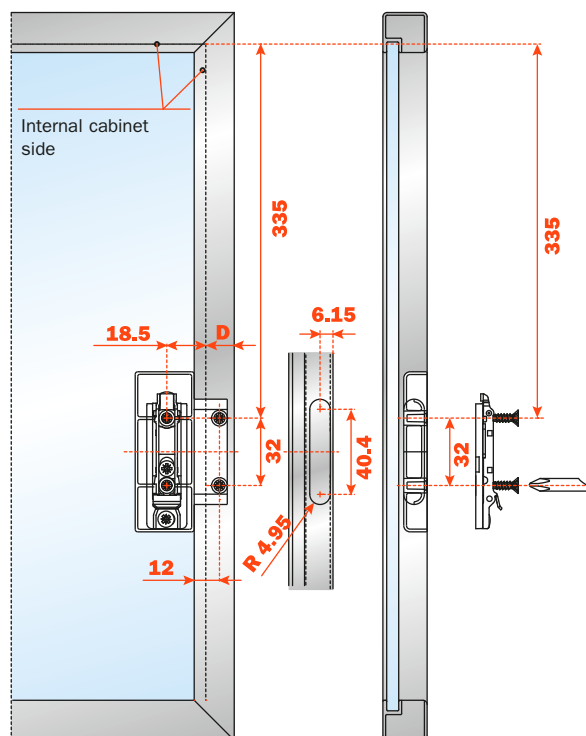
For alu-framed door, attach the mounting plate to the appropriate adapter (**DBZXBH9**).  
**D** = overlay



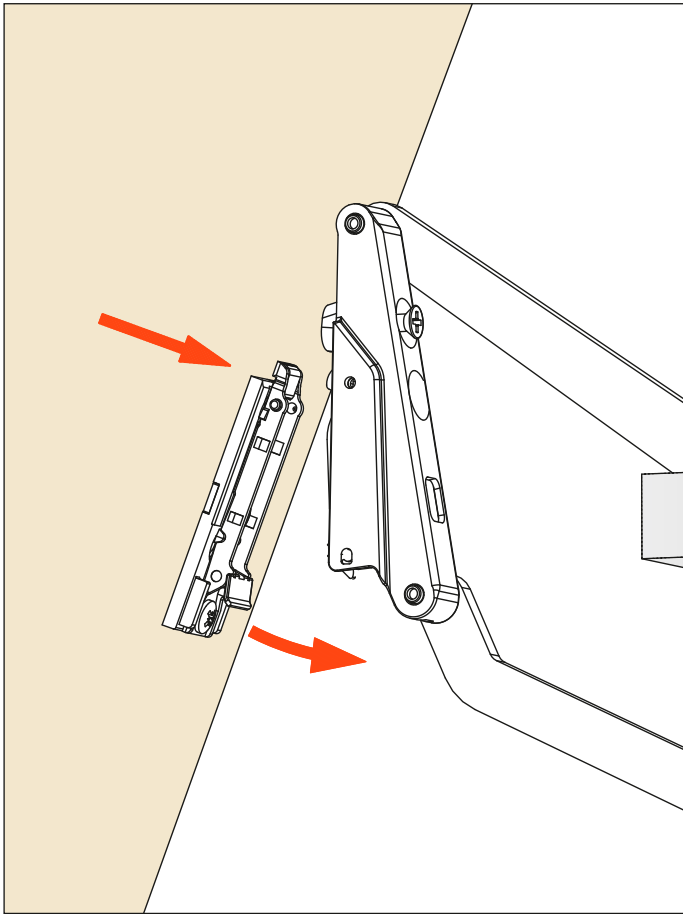
## Drilling pattern for wood door and alu-framed door For doors from 440 to 660 mm height.



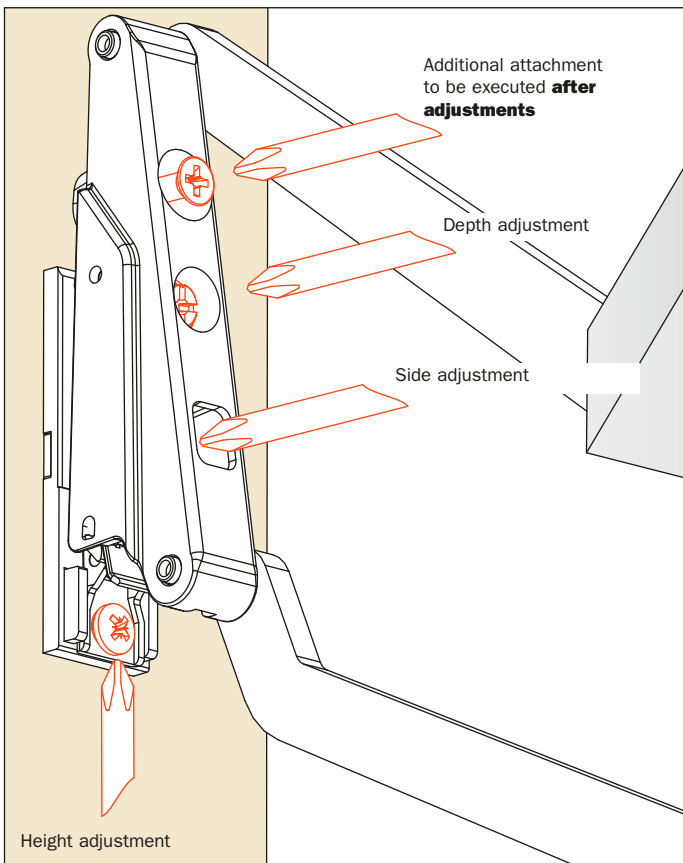
For alu-framed door, attach the mounting plate to the appropriate adapter (**DBZXBH9**).  
**D** = overlay



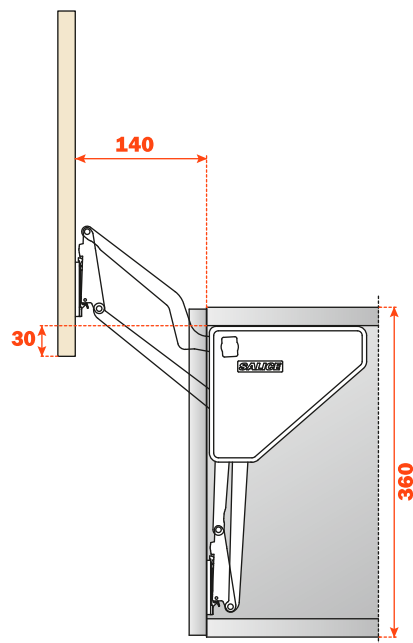
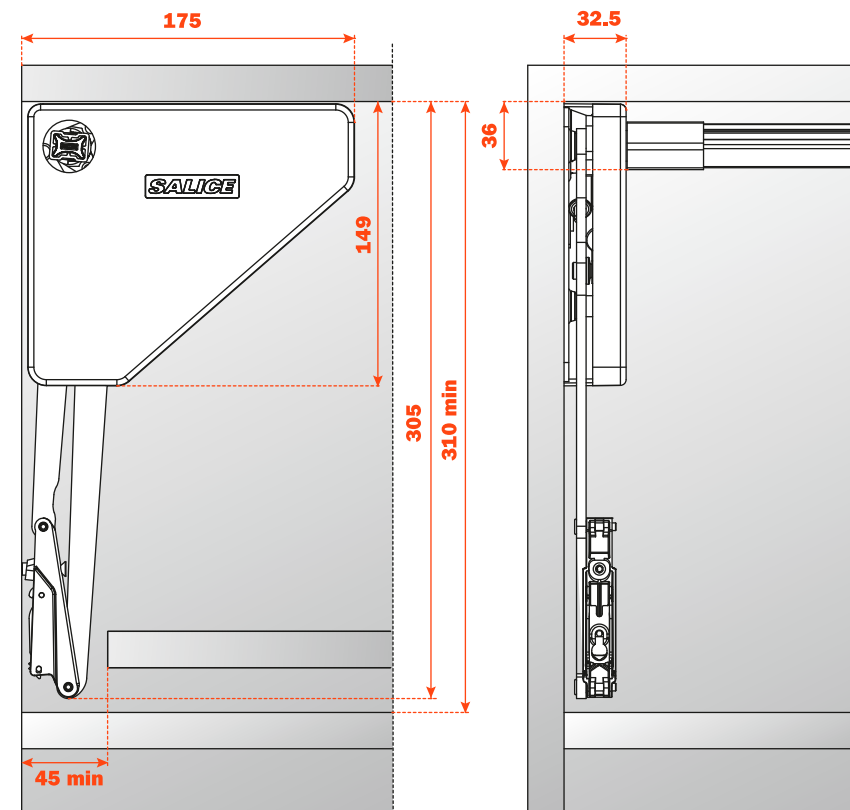
## Attaching the door to the cabinet



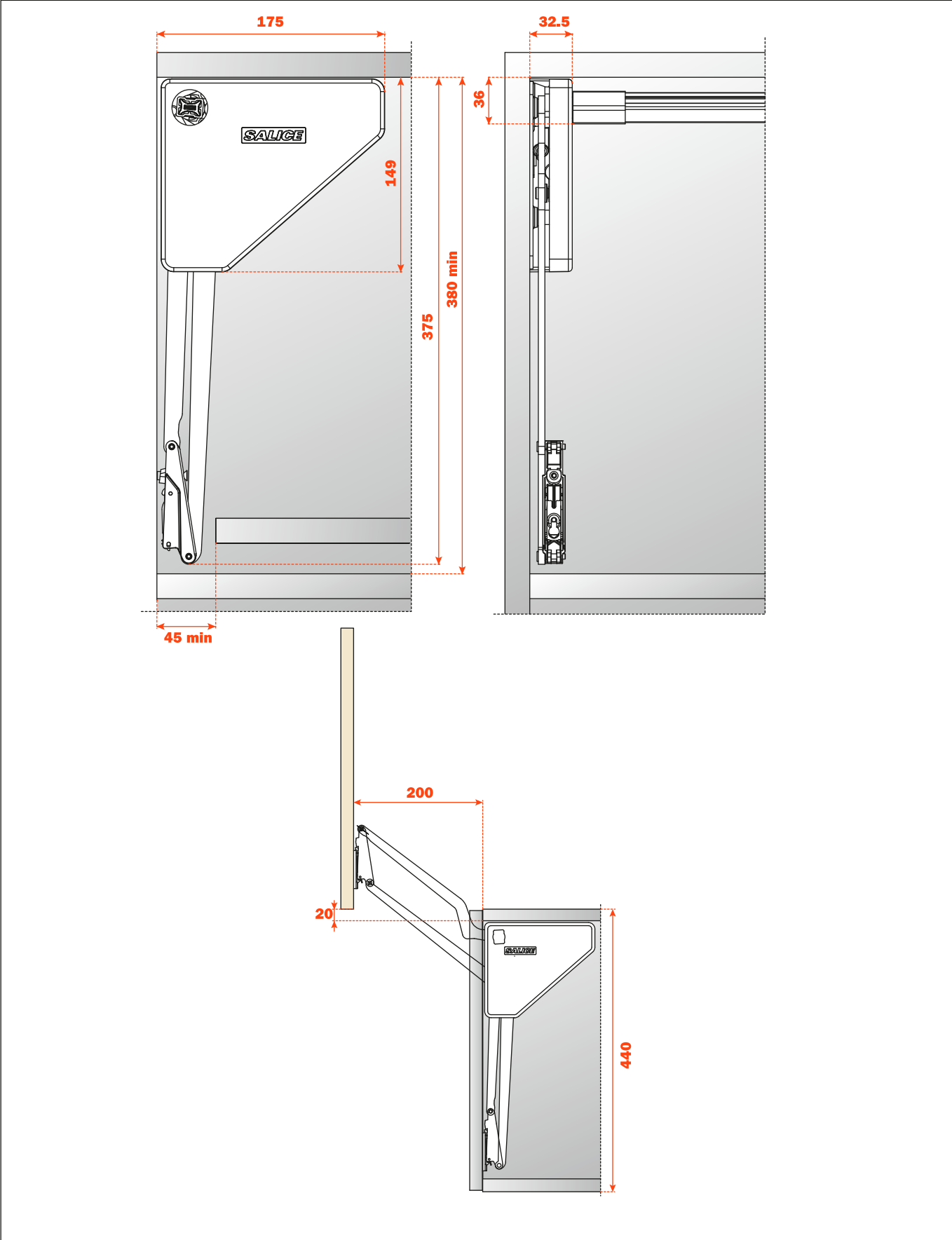
## Adjustments and additional attachment



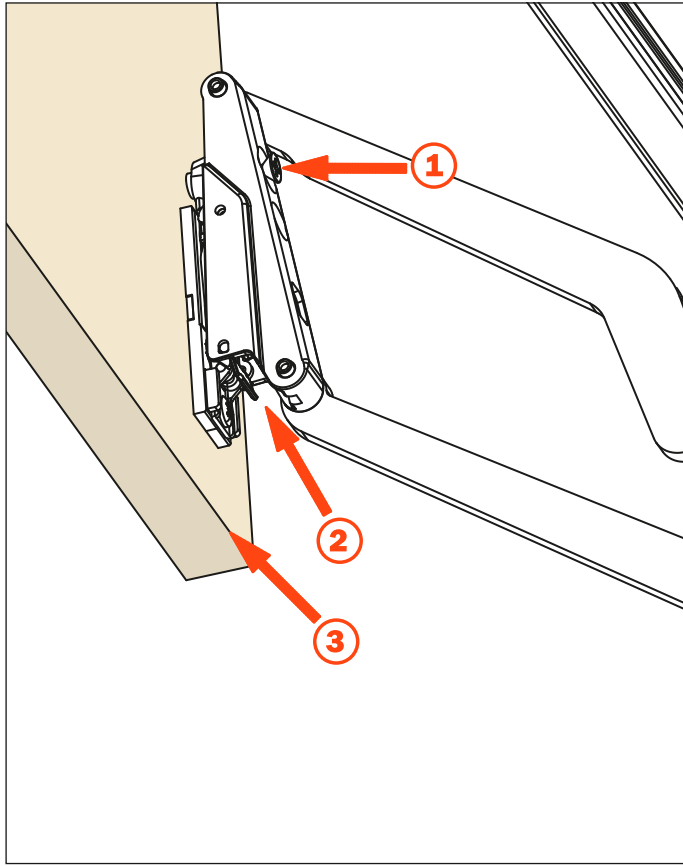
## Dimensions of the system for doors from 360 to 440 mm height



**Dimensions of the system for doors from 440 to 660 mm height**



## Disassembly

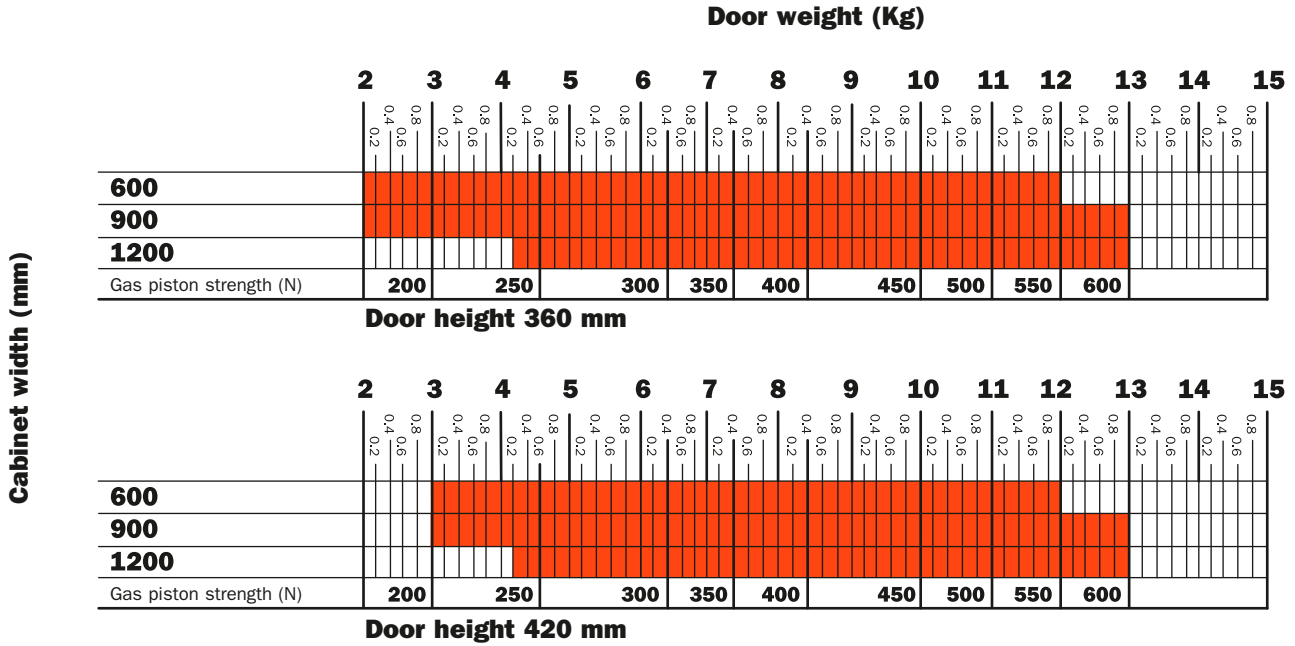


- 1) Loosen the additional wood screw
- 2) then press firmly on the mounting plate lever
- 3) push the door



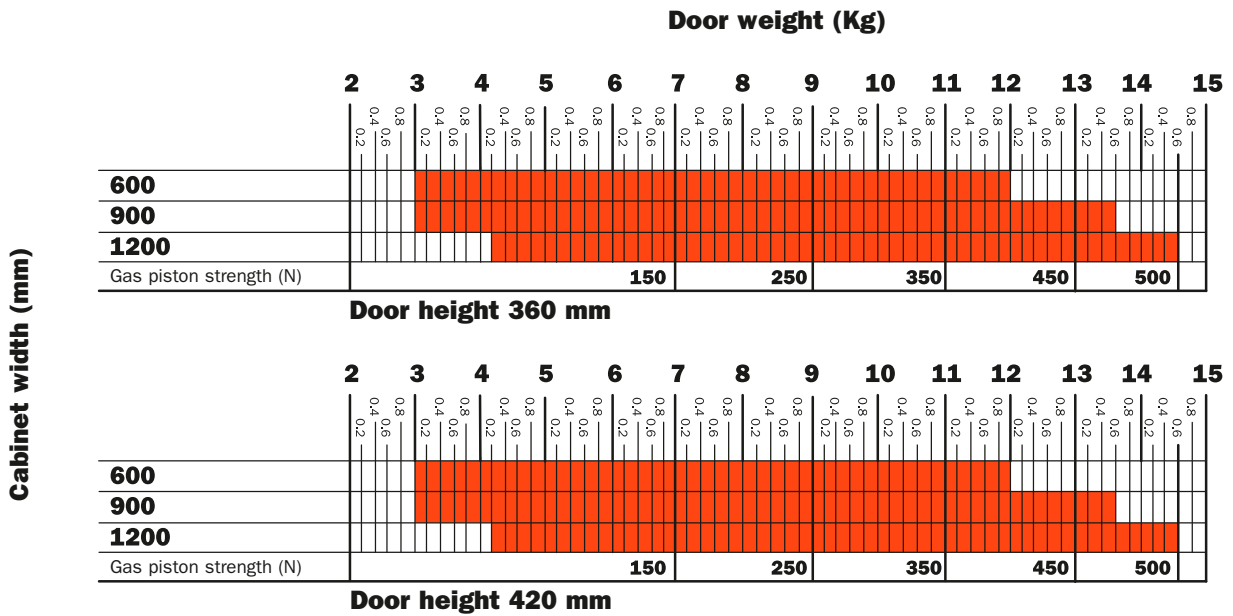
**Chart for FLMGSExxx pistons with single-operation door opening for doors from 360 to 440 mm height**

Chart to define the exact strength of the pistons to be used in relationship with the dimensions and weight of the doors.



**Chart for FLMGRExxx pistons with progressive-operation door opening for doors from 360 to 440 mm height**

Chart to define the exact strength of the pistons to be used in relationship with the dimensions and weight of the doors.

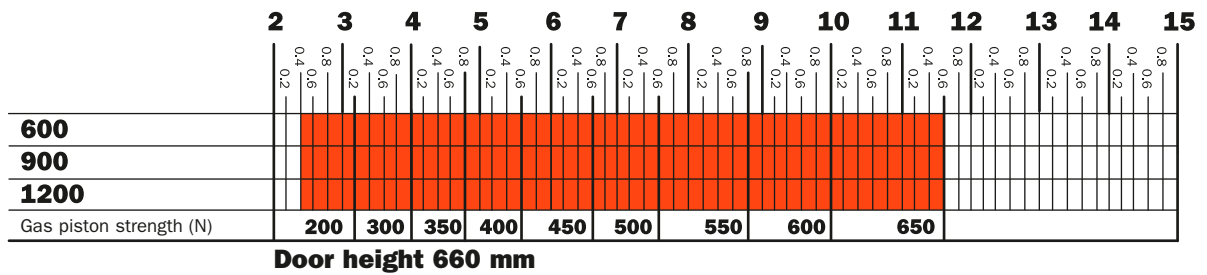
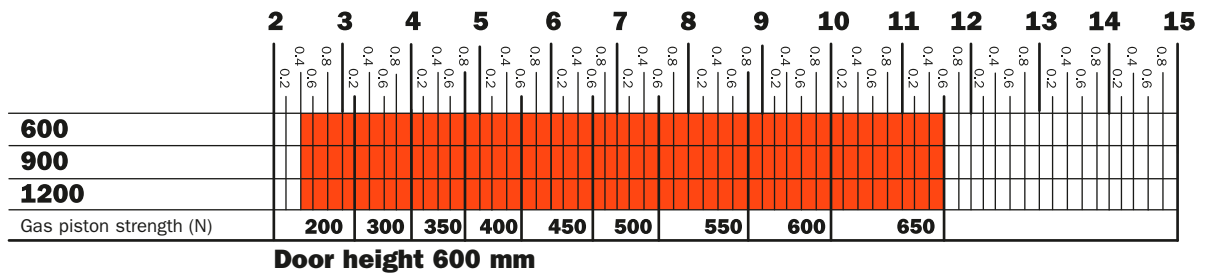
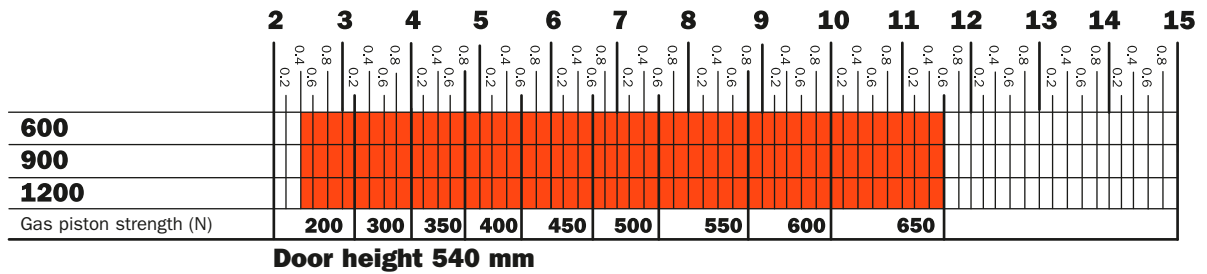
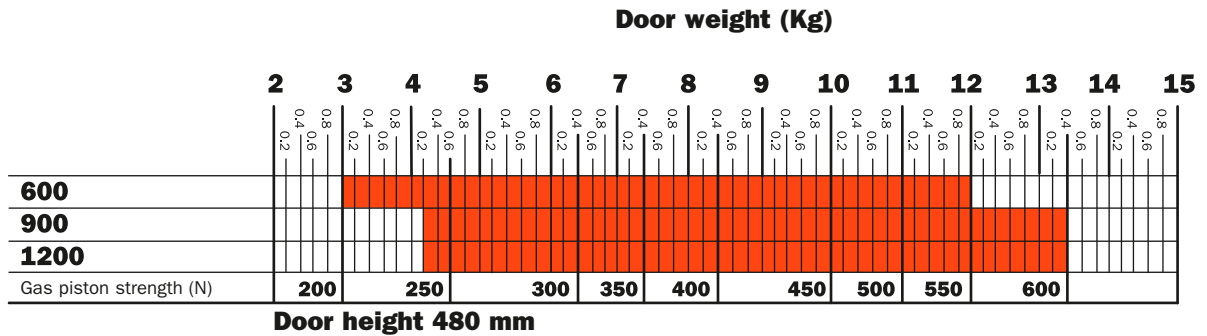


# Lift - Opening systems - Parallel opening door - Gas piston strength

## Chart for FLMGSExxx pistons with single-operation door opening for doors from 440 to 660 mm height.

Chart to define the exact strength of the pistons to be used in relationship with the dimensions and weight of the doors.

Cabinet width (mm)

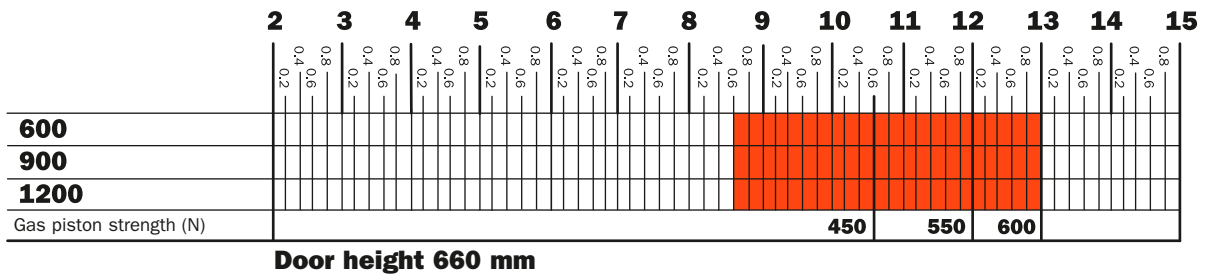
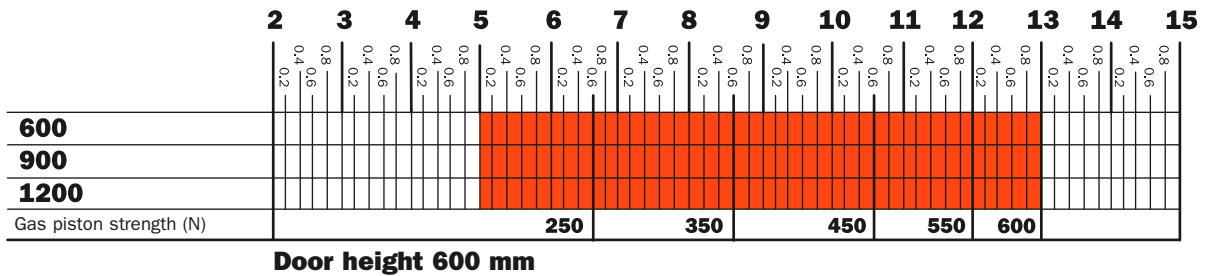
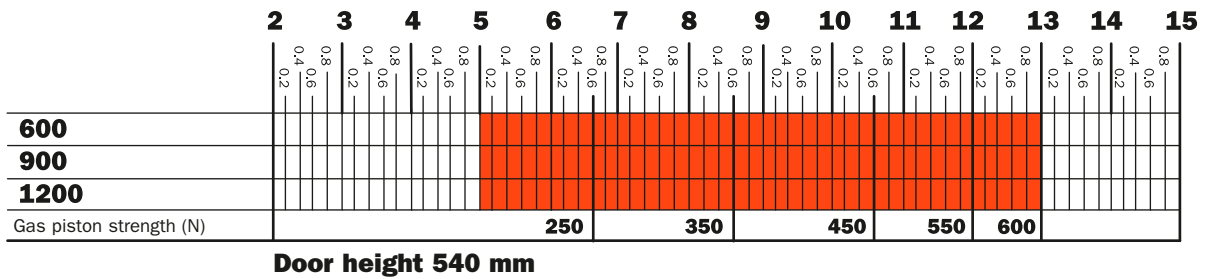
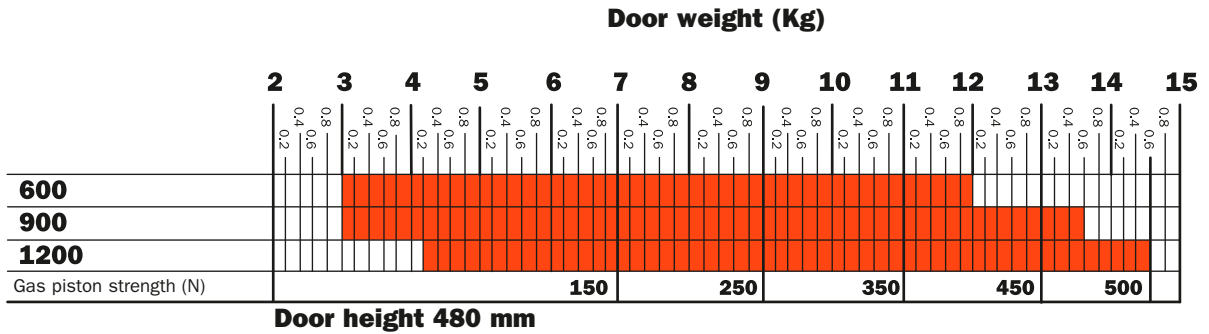




**Chart for FLMGRExxx pistons with progressive-operation door opening for doors from 440 to 660 mm height.**

Chart to define the exact strength of the pistons to be used in relationship with the dimensions and weight of the doors.

**Cabinet width (mm)**





## Lift - Opening systems - Swing opening door

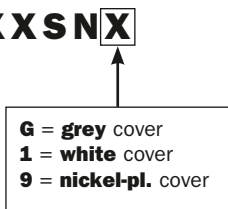




**Part number composition**

- F** = Lifting system
- B** = Swing opening door
- XXXXXX** = Special options
- SN** = Cover with Salice logo / **99** = Cover with holes for cover cap
- X** = Color of the cover
- X1** = Cover with silk-screen printed logo

**FBXXXXXS<sup>N</sup>X**



**FBXXXXX999**

Part number for Lift system supplied with nickel-plated cover with holes for cover cap.

Cover cap to be ordered separately.

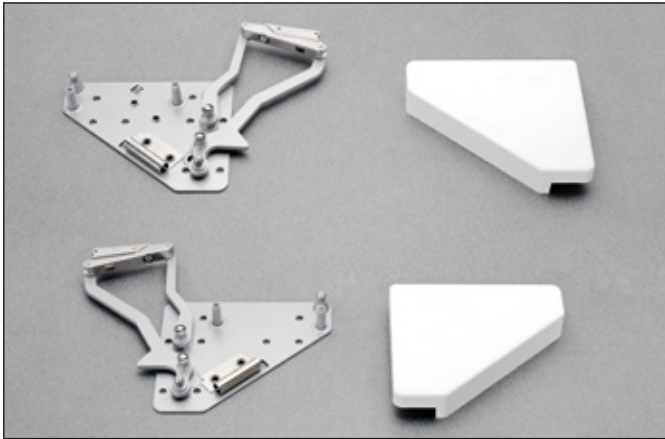


**FBXXXXX\_9X1**

Part number for Lift system supplied with nickel-plated cover with silk-screen printed logo.



## Components of the system for wood door



### FBXXXXXXSNX

Lifting system - **right** side

Lifting system - **left** side

Cover

### Color of the cover:

G = grey  
1 = white  
9 = nickel-pl.

### Packing

Boxes 6 pairs

## To be ordered separately:

### BAPGR39

Mounting plate for door



### Packing

Boxes 300 pcs.

### D00SSNG

Smove

For doors of small weight and dimensions.



### Packing

Boxes 250 pcs.

### FLMGSE **XXX** ← Fill with the required piston strength

Gas piston.  
See page 69 to complete the part number with the appropriate piston strength.



### Packing

Boxes 12 pcs.

### D00FSNG

Smove

For doors of middle weight and dimensions.



### Packing

Boxes 250 pcs.

### FLMGRE **XXX** ← Fill with the required piston strength

Progressive gas piston.  
See page 70 to complete the part number with the appropriate piston strength.



### Packing

Boxes 12 pcs.

### D00LSNG

Smove

For doors of large weight and dimensions.



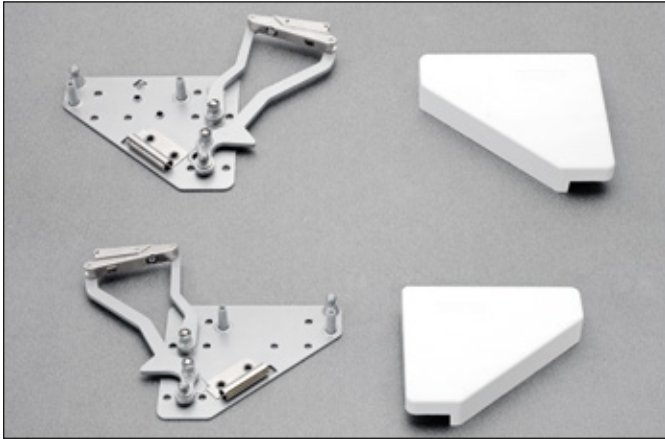
### Packing

Boxes 250 pcs.

# Lift - Opening systems - Swing opening door



## Components of the system for alu-framed door



### FBXXXXXXSNX

Lifting system - **right** side

Lifting system - **left** side

Cover

### Color of the cover:

G = grey

1 = white

9 = nickel-pl.

### Packing

Boxes 6 pairs

## To be ordered separately:

### BAP3R39

Mounting plate for door



### Packing

Boxes 300 pcs.

### D00SSNG

Smove



For doors of small weight and dimensions.

### Packing

Boxes 250 pcs.

### FLMGSE **XXX** ← Fill with the required piston strength



Gas piston.  
See page 69 to complete the part number with the appropriate piston strength.

### Packing

Boxes 12 pcs.

### D00FSNG

Smove



For doors of middle weight and dimensions.

### Packing

Boxes 250 pcs.

### FLMGRE **XXX** ← Fill with the required piston strength



Progressive gas piston.  
See page 70 to complete the part number with the appropriate piston strength.

### Packing

Boxes 12 pcs.

### D00LSNG

Smove



For doors of large weight and dimensions.

### Packing

Boxes 250 pcs.

### DBZXBH9

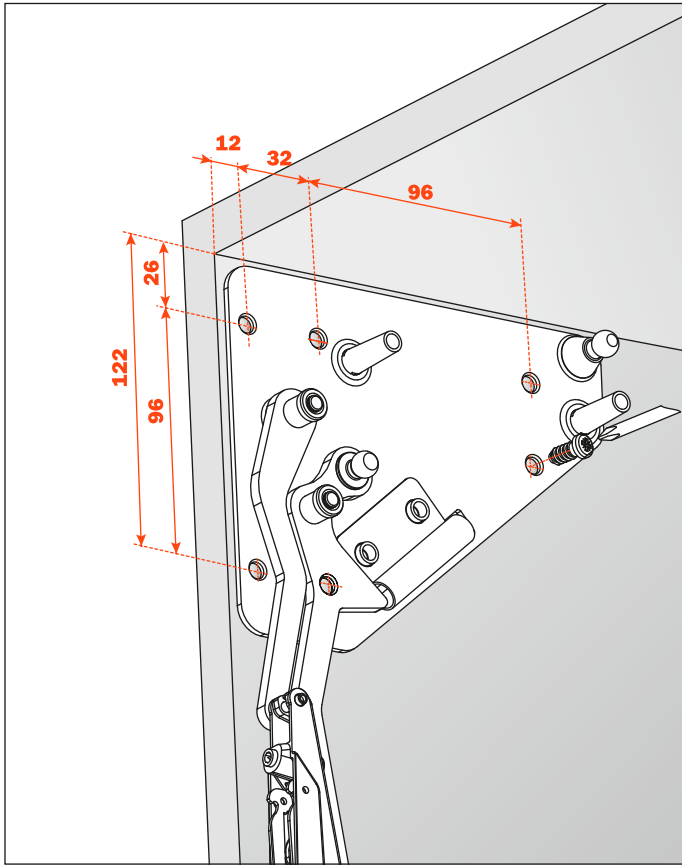
Support for plate with attachment screws.



### Packing

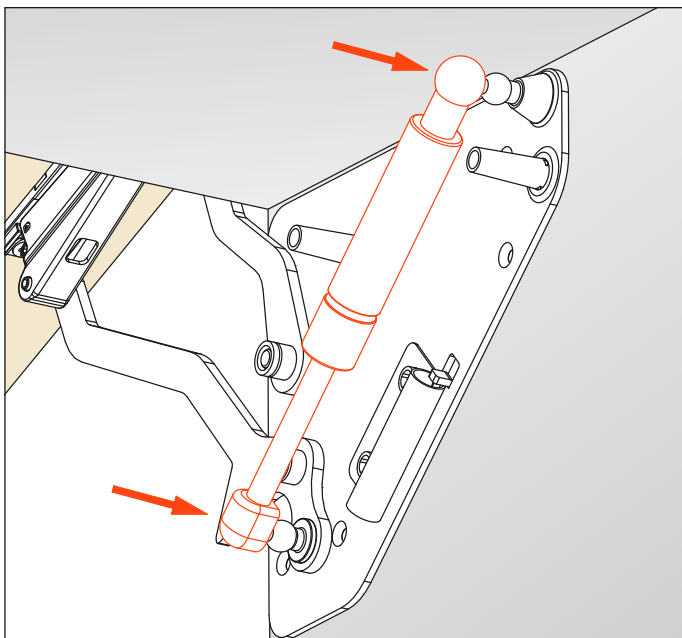
Boxes 150 pcs.

### Attaching the support to the cabinet side

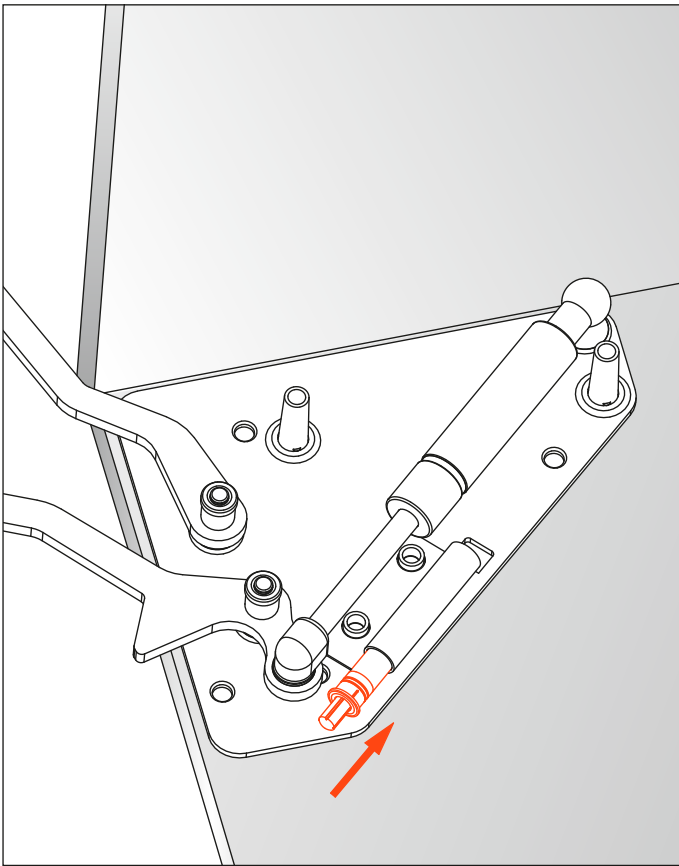


### Deploying the piston

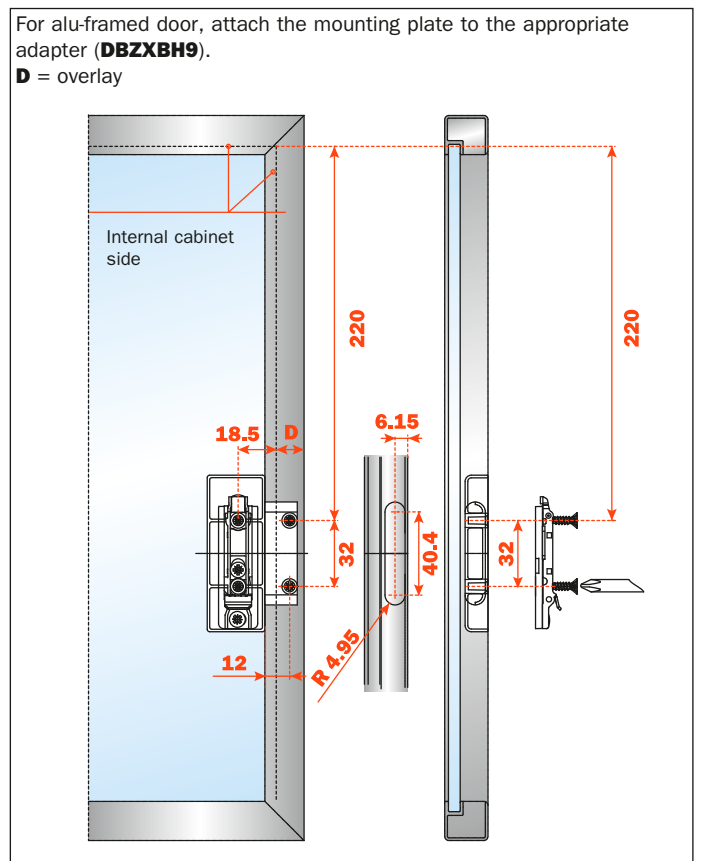
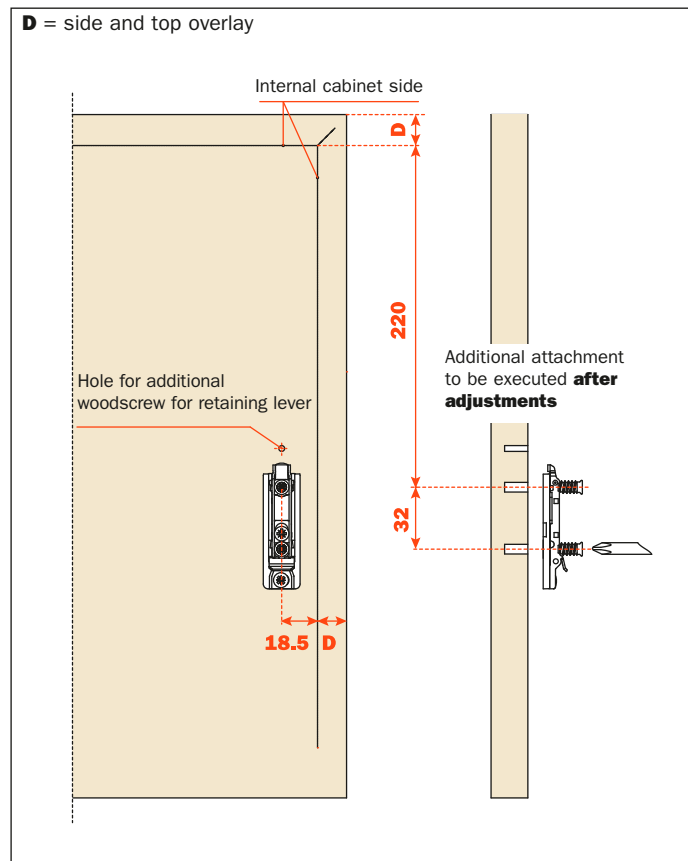
Carefully press each end of the piston securely onto the pins on the bracket and lifting arm, ensuring that the body of the piston is at the top.



Installing the Smove

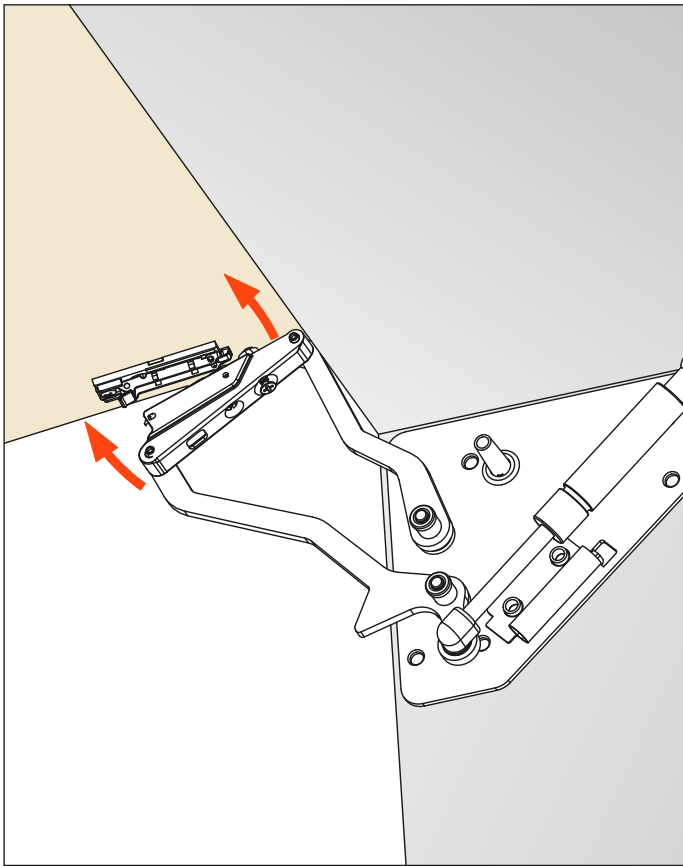


Drilling pattern for wood door and alu-framed door

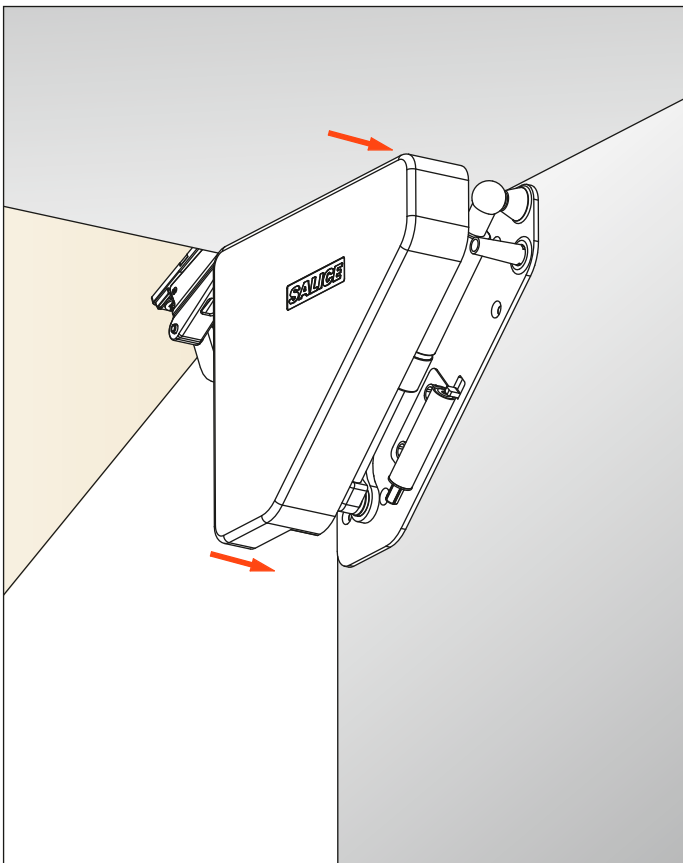




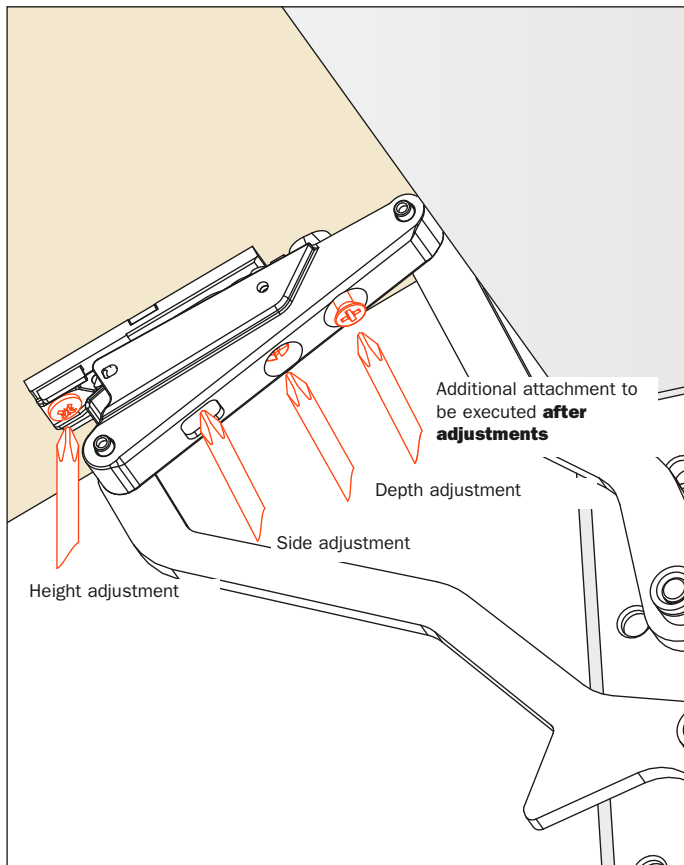
## Attaching the door to the cabinet



## Installing the cover

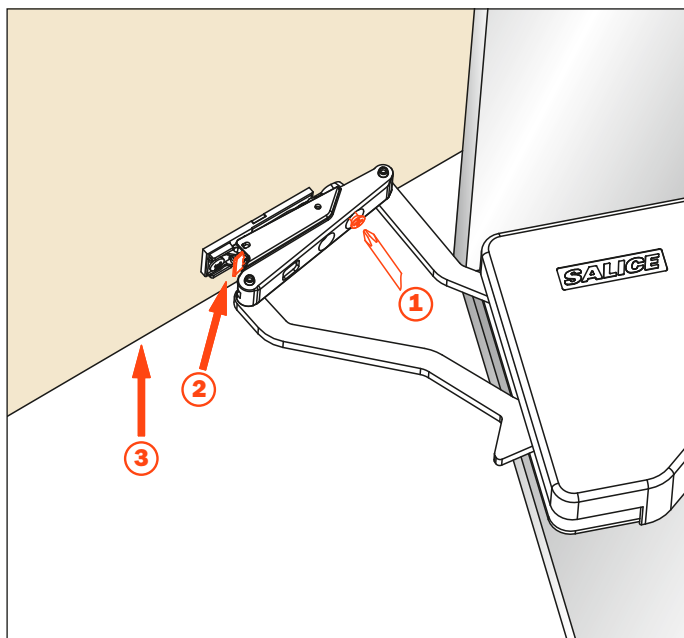


## Adjustments and additional attachment

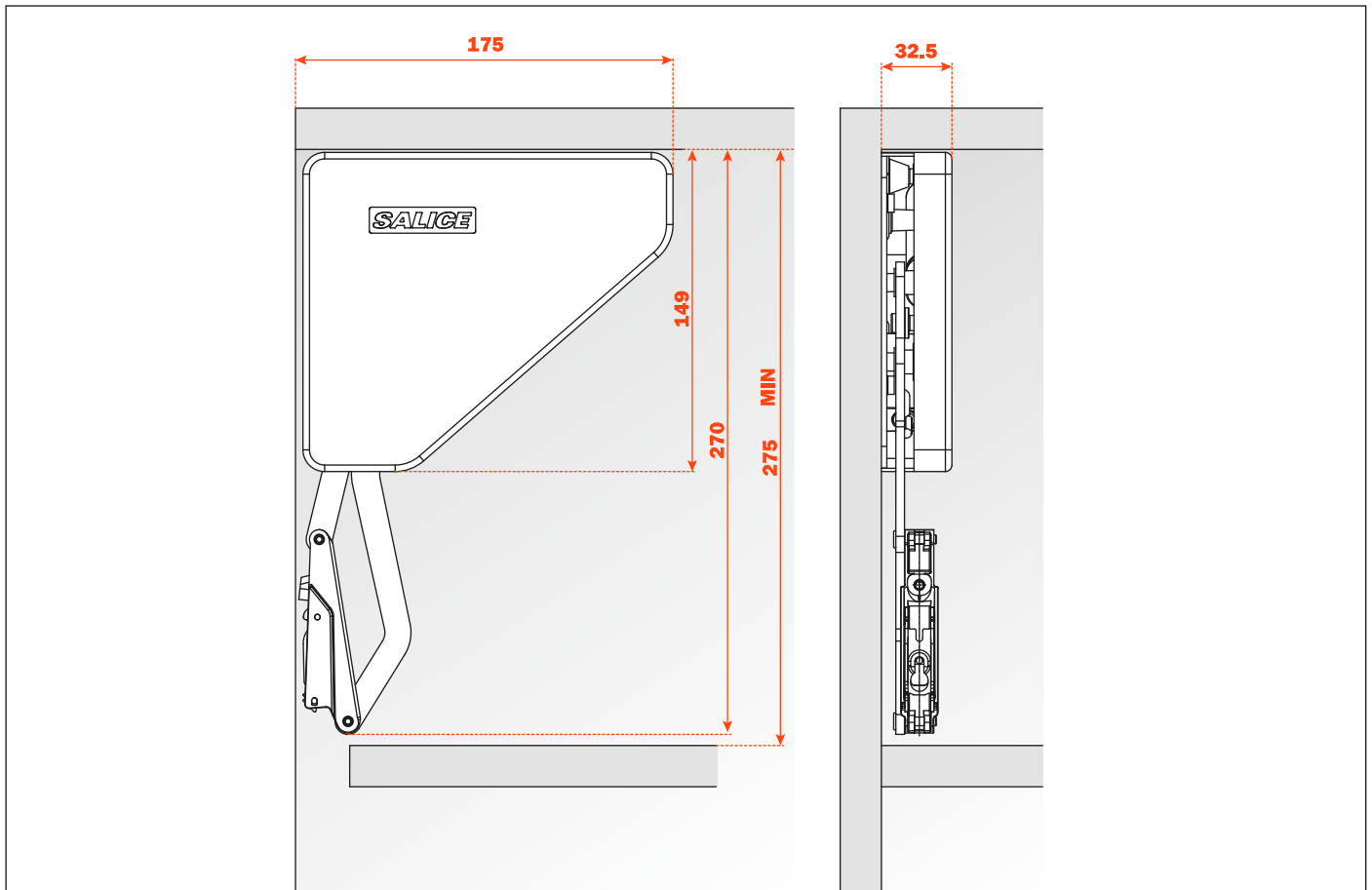


## Disassembly

- 1) Loosen the additional wood screw
- 2) then press firmly on the mounting plate lever
- 3) push the door



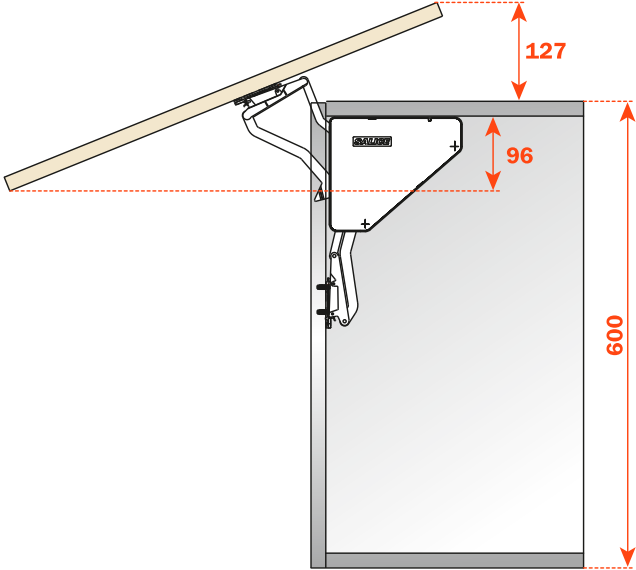
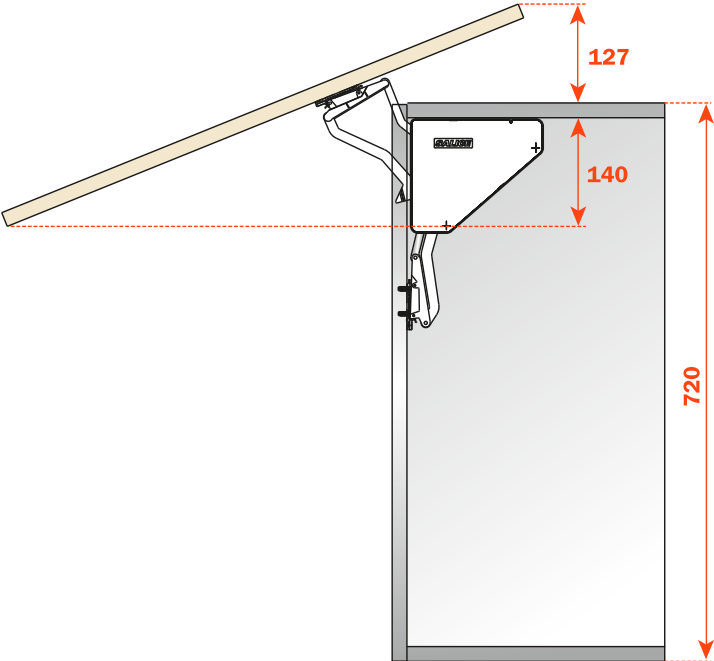
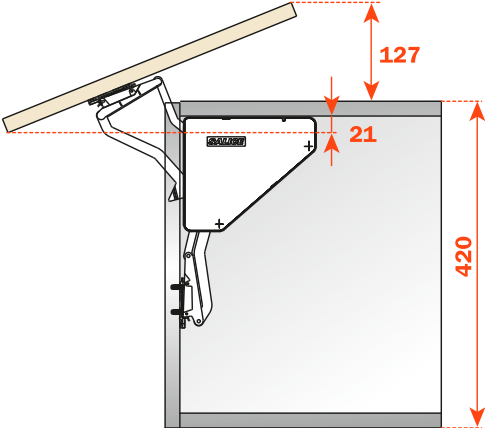
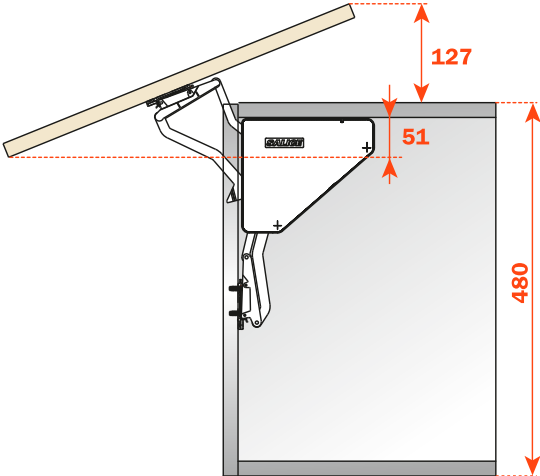
## Dimensions of the system



### Installation for cabinets over 1200 mm width



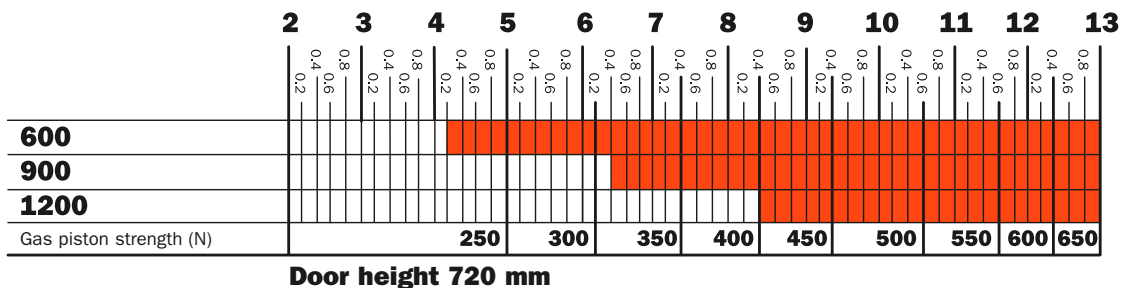
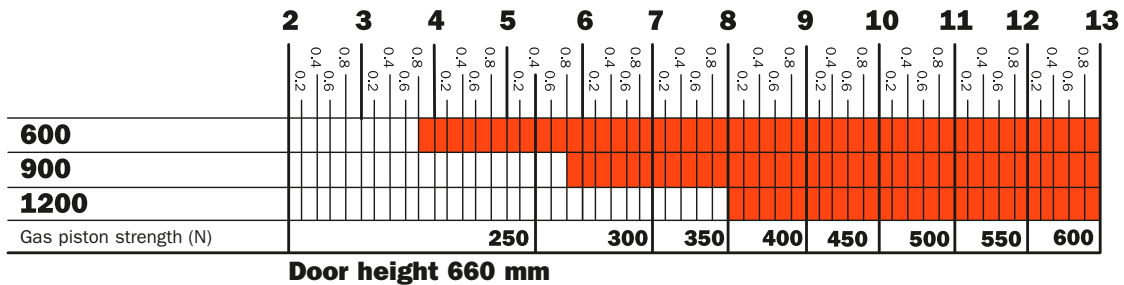
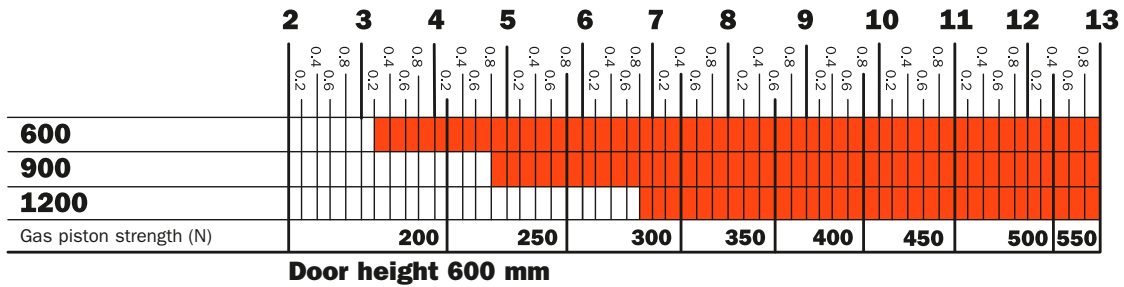
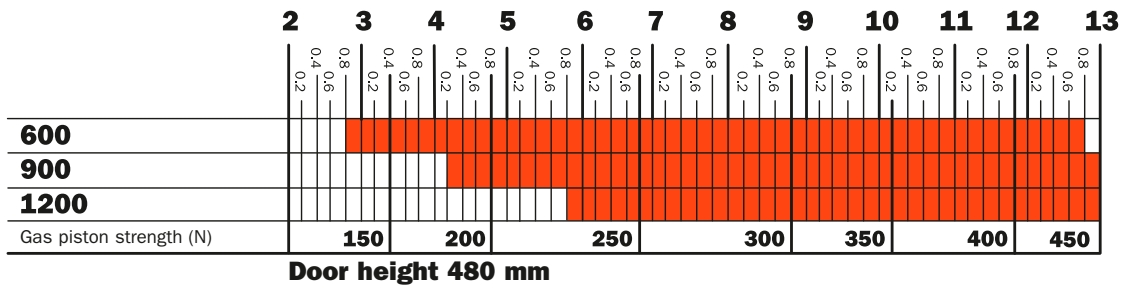
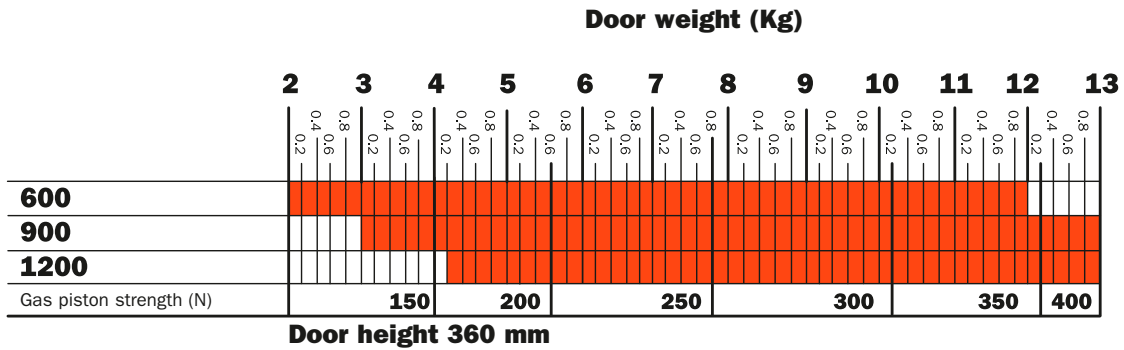
**Dimensions of the open door**



## Chart for FLMGSExxx pistons with single-operation door openin

Chart to define the exact strength of the pistons to be used in relationship with the dimensions and weight of the doors.

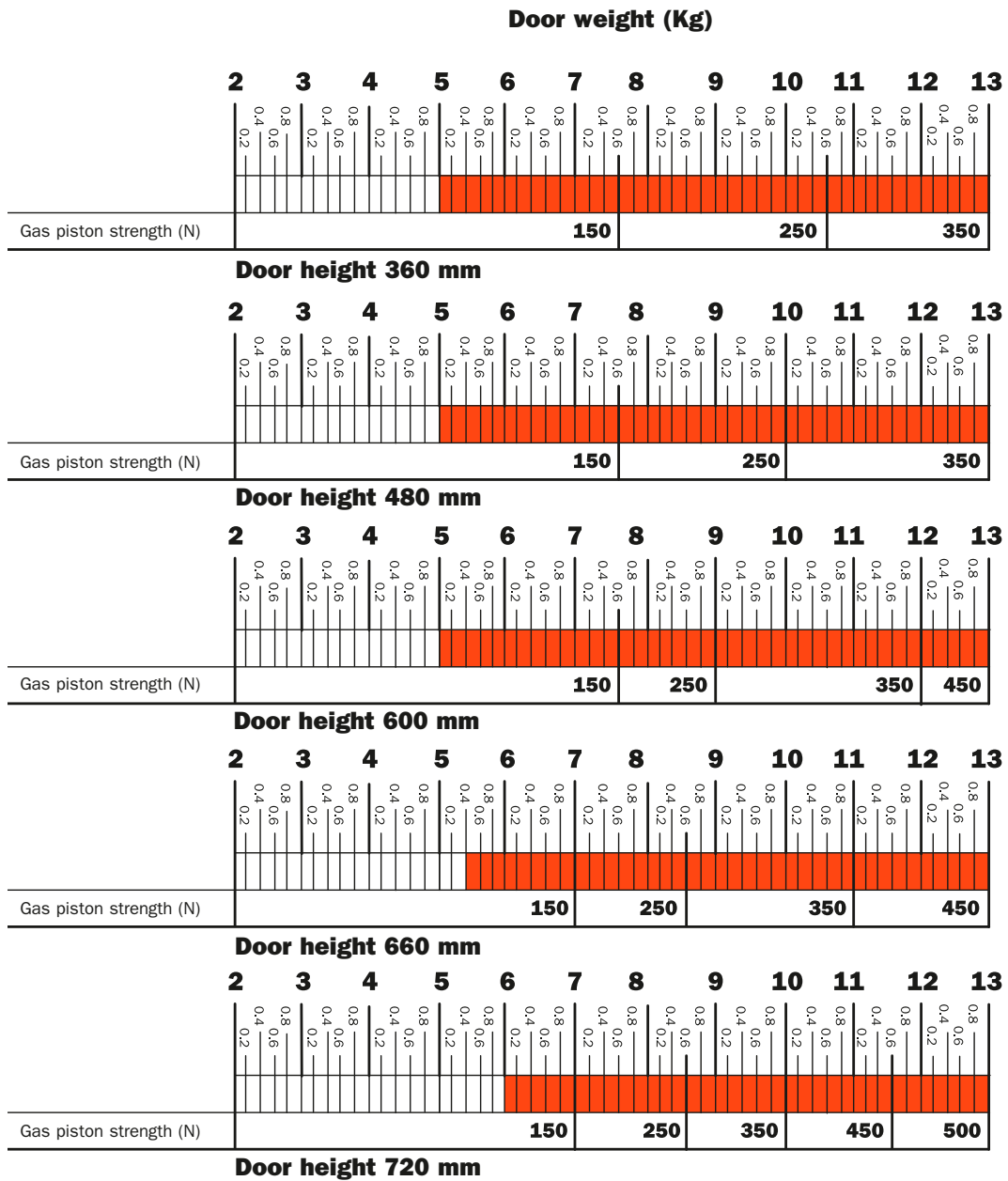
Cabinet width (mm)



## Chart for FLMGRExxx pistons with progressive-operation door opening

Chart to define the exact strength of the pistons to be used in relationship with the dimensions and weight of the doors.

Cabinet width 600, 900 and 1200 mm





## **SALICE AMERICA INC.**

2123 CROWN CENTRE DRIVE  
CHARLOTTE NC. 28227  
TEL. 1-800-222-9652  
704 8417810  
FAX 704 8417808  
info.salice@saliceamerica.com  
www.saliceamerica.com