



LOCKS

GLASS LOCKS
CABINET LOCKS
PUSH LOCKS
CAM LOCKS

GLASS LOCKS

Picture	Item No.	Key Changes	Master Key Option	Page
	XL-GC01-C	24	-	572
	XL-GC02	24	-	572
	XL-GC03-C	24	-	573
	2100GLK	12	-	573
	2100GL	12	-	574
	2200GL	12	-	574
	1100GL/CR	25	-	575
	1300GL	1 Million	2520 changes per master key	575
	1310GL	1 Million	2520 changes per master key	576
	1310GLW	1 Million	2520 changes per master key	576
	1330GL-MK	6500	750 changes per master key	577

MILLION CABINET LOCKS

Picture	Item No.	Key Changes	Master Key Option	Page
	1830-MK	6500	750 changes per master key	579
	6830-30MK	7800	750 changes per master key	580
	7810	1 Million	2520 changes per master key	581
	8810	3 Million	3000 changes per master key	582

CABINET LOCKS

Picture	Item No.	Key Changes	Master Key Option	Page
	2100	12	-	583
	2200	12 (300 special order)	170 changes per master key	584
	2550	300	80 changes per master key	585
	2650	48 (2650-16) 96 (2650-22) 96 (2650-30)	-	586

Picture	Item No.		Key Changes	Master Key Option	Page
	3310		156	-	587
	3320		156	-	588
	5830-24MK		3120	780 changes per master key	589
	2200QL		300	170 changes per master key	590
	3810S		300	300 changes per master key	590
	1300SK		1 Million	2520 changes per master key	591

PUSH LOCKS

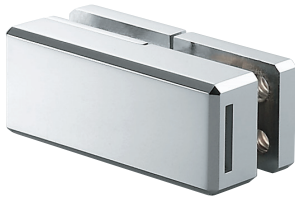
Picture	Item No.		Key Changes	Master Key Option	Page
	2300M		1 Million	2520 changes per master key	592
	2400M		1 Million	2520 changes per master key	592
	2160M		24	-	592
	2100M		12	-	593
	2110M		12	-	593
	2100B		12	-	594
	2110B		12	-	594
	2150B		24	-	595
	6300		96	-	595

SHEET METAL CAM LOCKS

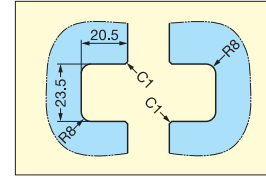
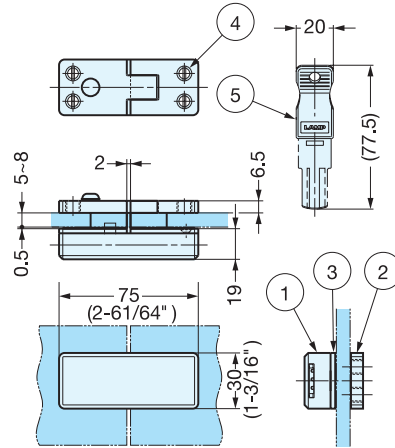
Picture	Item No.		Key Changes	Master Key Option	Page
	900		1 Million	2520 changes per master key	596
	SN-711-8		Up to 1500 changes by special order		596
	DCY-34		2000	866 changes per master key	597
	3800S		300	300 changes per master key	597
	NAL-S		Up to 100 changes by special order	-	598
	NAL		5000	-	598

GLASS DOOR LOCK FOR SWINGING DOUBLE DOORS

XL-GC01



- Dual locking mechanism: locks and unlocks both doors at once by inserting the key.
- Non-handed. Key hole located on the right side for a clean appearance.
- Key acts as a knob when unlocked.
- Includes 2 keys.
- Use with XL-GL Series glass showcase hardware (sold separately, P.256).



Cut Out Dimension

Item No.	Glass Thickness (mm)	Key Changes	Key (pcs)	Weight (g)	Box (pcs)	Carton (pcs)
XL-GC01-C	5-8 (3/16"~5/16")	24	2	406	1	24

No.	Part Name	Material	Finish / Color
①	Body	Zinc Alloy	Chrome
②	Counterplate		
③	Spacer	Synthetic Rubber	Black
④	Screws	304 Stainless Steel	Plain
⑤	Key	Brass/ABS	Nickel/Black

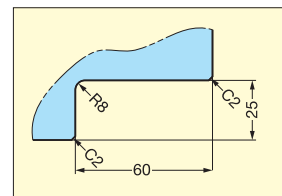
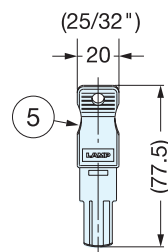
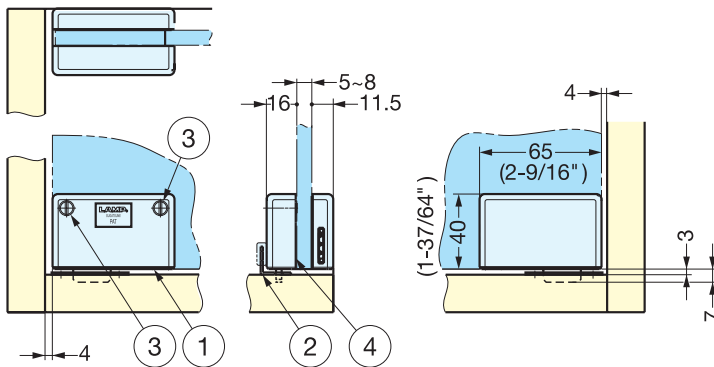
GLASS DOOR LOCK FOR INSET SWINGING DOORS



XL-GC02



- Locks are handed left or right. Key hole located on the side for a clean appearance.
- Lock cam swings downwards into frame.
- Includes 2 keys.
- Use with Inset Glass Pivot Hinge XL-GC04 (sold separately, P.257).
- Use with XL-GL Series glass showcase hardware (sold separately, P.256).



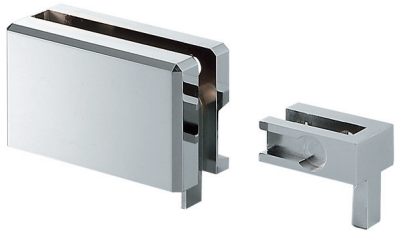
Cut Out Dimension

Item No.	Type	Glass Thickness (mm)	Key Changes	Key (pcs)	Weight (g)	Box (pcs)	Carton (pcs)
XL-GC02-R-C	Right	5-8 (3/16"~5/16")	24	2	415	1	24
XL-GC02-L-C	Left						

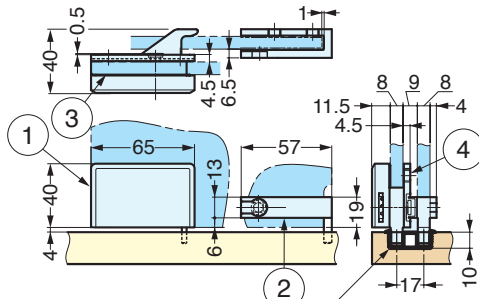
No.	Part Name	Material	Finish / Color
①	Body	Zinc Alloy	Chrome
②	Counterplate	304 Stainless Steel Chloroprene Rubber	Polished/Black
③	Screws	304 Stainless Steel	Plain
④	Spacer	Synthetic Rubber	Black
⑤	Key	Brass/ABS	Nickel/Black

GLASS DOOR LOCK FOR SLIDING DOOR

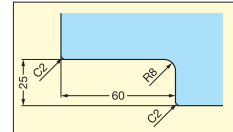
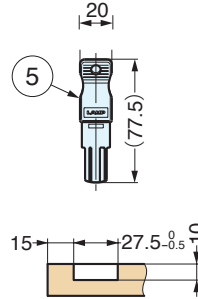
XL-GC03



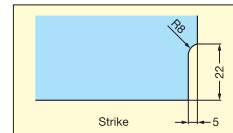
- For bypass sliding glass doors.
- Key hole located on the right side for a clean appearance.
- Includes 2 keys.
- Use with XL-GC Series glass showcase hardware (sold separately, P.562).
- Please order 1pc per 2 doors.



Bottom Rail
XL-GC03-GL1200
Sold separately (P.562)



Cut Out Dimension (Body)



Cut Out Dimension (Strike)

Item No.	Glass Thickness (mm)	Key Changes	Key (pcs)	Weight (g)	Box (pcs)	Carton (pcs)
XL-GC03-C	8 (5/16")	24	2	351	1	24

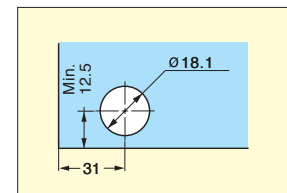
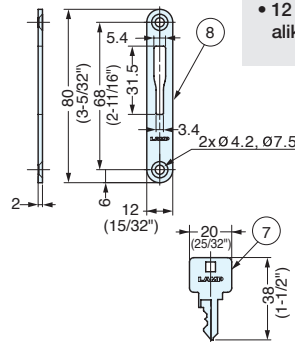
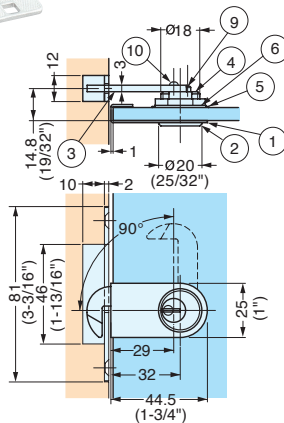
No.	Part Name	Material	Finish / Color
①	Body	Zinc Alloy	Chrome
②	Strike		
③	Spacer	Synthetic Rubber	Black
④	Screws	304 Stainless Steel	Plain
⑤	Key	Brass/ABS	Nickel/Black

GLASS DOOR CAM LOCK

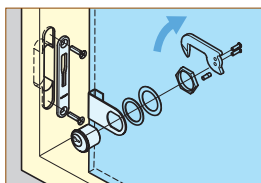
2100GLK



- For swinging glass doors with glass 5/32" to 1/4" (4-6 mm) thick.
- Requires $\varnothing 23/32"$ (18.1 mm) bore for installation.
- Non-handed, swinging cam can be mounted to swing left or right.
- Key acts as a knob and can only be removed when locked.
- 12 key changes are available; please specify keyed alike or differently when ordering.



Cut Out Dimension



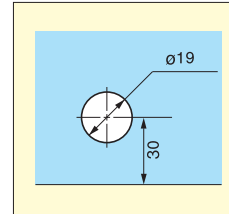
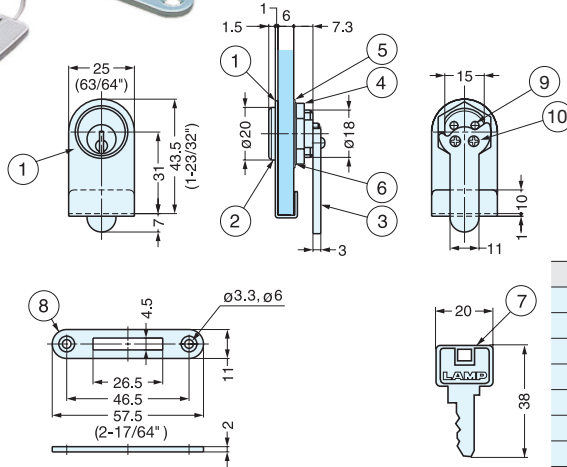
Item No.	Glass Thickness (mm)	Key Changes	Key (pcs)	Weight (g)	Box (pcs)	Carton (pcs)
2100GLK	4-6 (5/32"~1/4")	12	1	75	12	120

No.	Part Name	Material	Finish / Color
①	Front Plate	304 Stainless Steel	Satin
②	Body	Brass	Satin Nickel
③	Cam	Steel	Nickel
④	Hex Nut	Brass	Nickel
⑤	Plastic Washer	Polyamide	Natural
⑥	Washer	Steel	Nickel
⑦	Key	Brass	Nickel
⑧	Counterplate	Steel	Nickel
⑨	Pin	Brass	Plain
⑩	Screw	Steel	Nickel

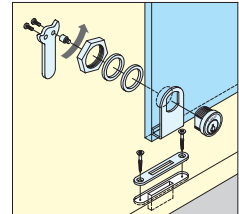
GLASS DOOR CAM LOCK



2100GL



Cut Out Dimension



Installation

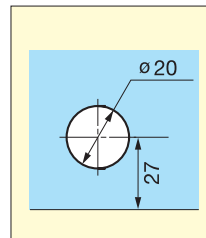
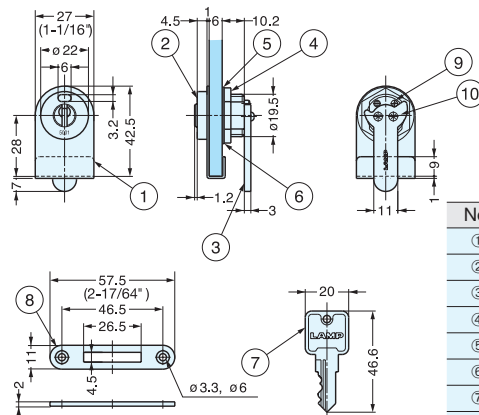
- Brass cylinder glass door lock with 2 keys.
- Key acts as a knob and can only be removed when locked.
- Master key NOT available.
- Keys can be shared with other 2100 series locks.
- 12 key changes available; please specify keyed alike or differently when ordering.

No.	Part Name	Material	Finish
①	Front Plate	304 Stainless Steel	Polished
②	Body	Brass	Nickel
③	Cam	Steel	
④	Hex. Nut	Brass	
⑤	Plastic Washer	Polyamide	Natural
⑥	Washer	Steel	Chrome
⑦	Key	Brass	Nickel
⑧	Counterplate	Steel	Chrome
⑨	Pin	Brass	Plain
⑩	Screw	Steel	Nickel(M2.5x8)

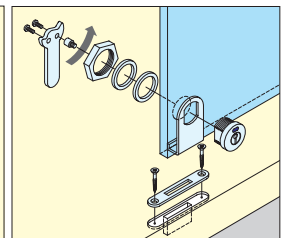
Item No.	Glass Thickness (mm)	Weight (g)	Box (pcs)	Carton (pcs)
2100GL	4~6 (5/32"~1/4")	75	12	120

GLASS DOOR CAM LOCK (W/INDICATOR)

2200GL



Cut Out Dimension



Installation

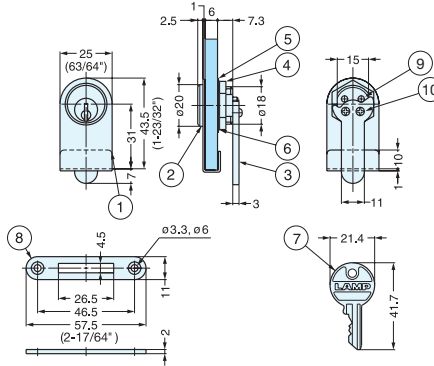
- Brass cylinder lock with 2 keys.
- Locked / Unlocked Indicator
- Unlocked : Blue
- Locked : Red
- Master key system (2200 GLMK) available at surcharge.
- Key can be shared with other 2200 series locks.
- 12 key changes available; please specify keyed alike or differently when ordering.

No.	Part Name	Material	Finish
①	Front Plate	303 Stainless Steel	Polished
②	Body	Brass	Nickel
③	Cam	Steel	
④	Hex. Nut	Brass	
⑤	Plastic Washer	Polyamide	Natural
⑥	Washer	Steel	Chrome
⑦	Key	Brass	Nickel
⑧	Counterplate	Steel	Chrome
⑨	Pin	Brass	Plain
⑩	Screw	Steel	Nickel(M2.5x8)

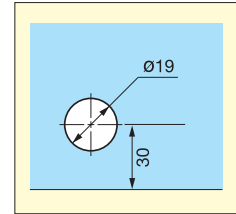
Item No.	Glass Thickness (mm)	Weight (g)	Box (pcs)	Carton (pcs)
2200GL	4~6 (5/32"~1/4")	75	12	120

GLASS DOOR CAM LOCK

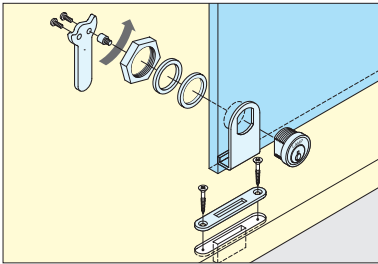
1100GL



- Chrome cylinder glass door lock with 2 keys.
- Key acts as a knob and can only be removed when locked.
- Master key NOT available.
- 25 key changes; Please specify keyed alike or differently when ordering.



Cut Out Dimension



Installation

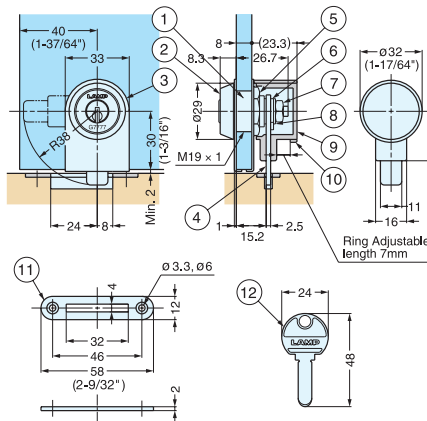
No.	Part Name	Material	Finish
①	Front Plate	304 Stainless Steel	Polished
②	Body	Brass	Chrome
③	Cam	Steel	Nickel
④	Hex Nut	Brass	
⑤	Plastic Washer	Polyamide	Natural
⑥	Washer	Steel	Chrome
⑦	Key	Brass	Nickel
⑧	Counterplate	Steel	Chrome
⑨	Pin	Brass	Plain
⑩	Screw	Steel	Chrome (M2.2x6)

Item No.	Glass Thickness (mm)	Cylinder Diameter	Key Changes	Keys Included	Weight (g)	Box (pcs)	Carton (pcs)
1100GL/CR	4-6 (5/32"~1/4")	18 (45/64")	25	2	65	25	250

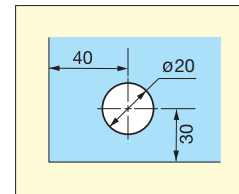
GLASS DOOR CAM LOCK



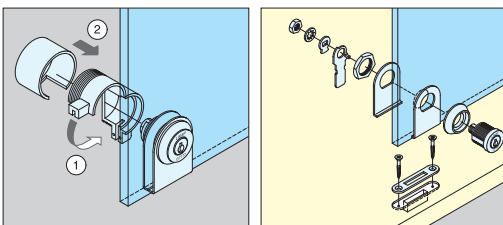
1300GL



- Dimple key lock series ideal for showcase application.
- High security reversible key. (3 keys supplied)
- 1 million key changes available; please specify keyed alike or differently when ordering.
- Master key system available at surcharge. (Max. 2,520 key changes per master key.)



Cut Out Dimension



Installation

No.	Part Name	Material	Finish
①	Body	Brass	Satin Nickel
②	Ring		
③	Front Plate	304 Stainless Steel	Polished
④	Cam		
⑤	Hex Nut	Steel	Silver
⑥	Washer	Brass	Nickel
⑦	Hex Nut	Steel	Silver
⑧	Washer		
⑨	Case Cover	Polypropylene	Black
⑩	Ring		
⑪	Counterplate	303 Stainless Steel	Polished
⑫	Key	Brass	Nickel

Item No.	Glass Thickness (mm)	Weight (g)	Box (pcs)	Carton (pcs)
1300GL	5~8 (3/16"~5/16")	140	12	60

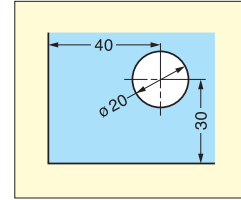
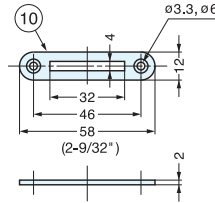
GLASS DOOR CAM LOCK



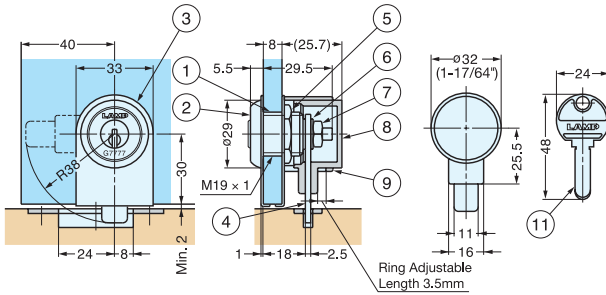
1310GL



- Dimple key lock series ideal for showcase application.
- High security reversible key. (3 keys supplied)
- Key acts as a knob and can only be removed when locked.
- 1 million key changes available; please specify keyed alike or differently when ordering.
- Master key system available at surcharge. (Max. 2,520 key changes per master key.)



Cut Out Dimension



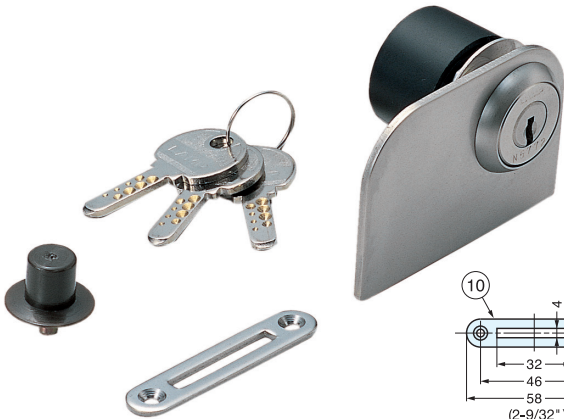
Item No.	Glass Thickness (mm)	Weight (g)	Box (pcs)	Carton (pcs)
1310GL	5-8 (3/16"~5/16")	139	12	60

No.	Part Name	Material	Finish
①	Body	Brass	Nickel
②	Ring		
③	Front Plate	304 Stainless Steel	Satin
④	Cam		Plain
⑤	Hex Nut	Steel	Silver
⑥	Washer		Nickel
⑦	Hex Nut		Silver
⑧	Case Cover	Polypropylene	Black
⑨	Ring		
⑩	Counterplate	303 Stainless Steel	Polished
⑪	Key	Brass	Nickel

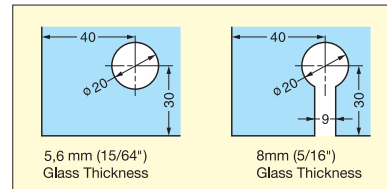
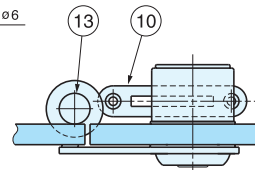
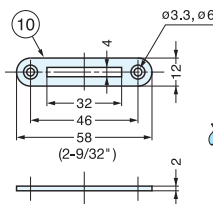
GLASS DOOR CAM LOCK FOR DOUBLE DOORS



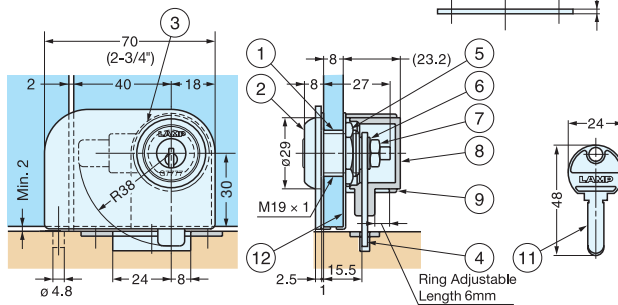
1310GLW



- Dimple key lock series ideal for showcase application.
- High security reversible key. (3 keys supplied)
- Key acts as a knob and can only be removed when locked.
- 1 million key changes available; please specify keyed alike or differently when ordering.
- Master key system available at surcharge. (Max. 2,520 key changes per master key.)



Cut Out Dimensions



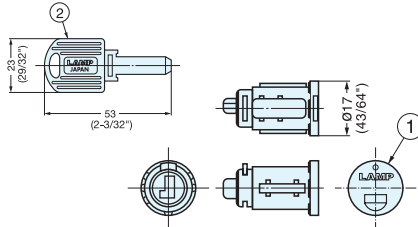
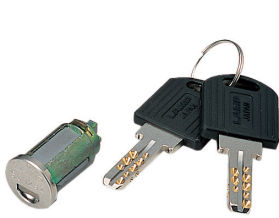
Item No.	Glass Thickness (mm)	Weight (g)	Box (pcs)	Carton (pcs)
1310GLW	5-8 (3/16"~5/16")	206	12	60

No.	Part Name	Material	Finish
①	Body	Brass	Nickel
②	Ring		
③	Front Plate	304 Stainless Steel	Satin
④	Cam		Plain
⑤	Hex Nut	Steel	Silver
⑥	Washer		
⑦	Hex Nut		
⑧	Case Cover	Polypropylene	Black
⑨	Ring		
⑩	Counterplate	304 Stainless Steel	Polished
⑪	Key	Brass	Nickel
⑫	Backplate	304 Stainless Steel	Polished
⑬	Stopper	Polyamide	Brown

INTERCHANGEABLE CYLINDER KEY



MD-N1



- Cylinder and key set for 1830, 6830 and 1330GL locks.
- Interchangeable feature allows easy cylinder replacement in case key is lost.
- Up to 7,800 key changes available. (750 key changes per master key.)
- Keyed Alike (KA) or Keyed Different (KD) available. Please specify when ordering.

Item No.	Component	Weight (g)	Box (pcs)	Carton (pcs)	Component	Material	Finish
MD-N1	Cylinder	21	12	60	Cylinder	304 Stainless Steel/Zinc Alloy	Polished/Yellow Zinc Chromate
	Key	12			Key	Brass/ABS	Nickel/Black

INTERCHANGEABLE CYLINDER KEY



MD-MK1, K1



- MD-MK1 - Master key for easy key management.
- MD-K1 - Key to remove existing cylinder only. Does NOT open lock.

Item No.	Key Type	Weight (g)	Box (pcs)	Carton (pcs)	Material	Finish/Color
MD-MK1	Master Key	12	1	10	Brass/ABS	Nickel/Black
MD-K1	Change Key					

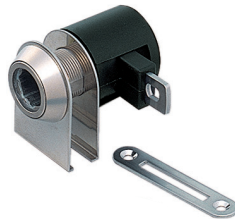
GLASS DOOR CAM LOCK



1330GL-MK

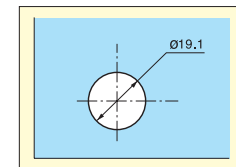
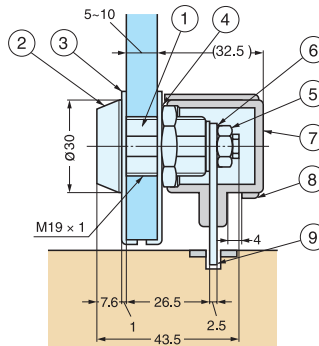
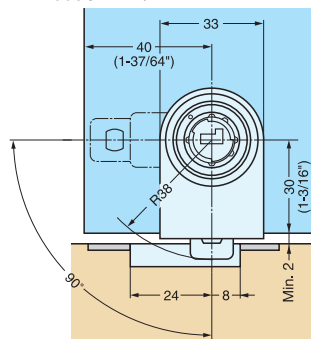


1330GL-MK/GA



1330GL-MK/DN

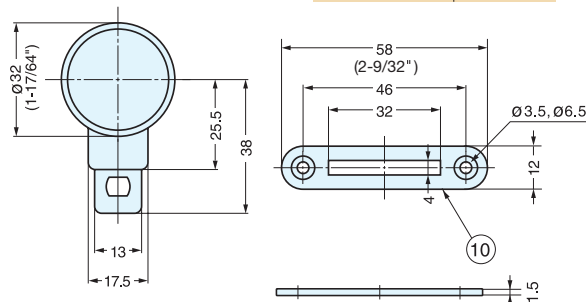
- Glass door cam lock with interchangeable cylinder. (Please see page P.578 for details.)
- Cylinder can be changed by using change key MD-K1.
- Easy to replace cylinder in case key is lost. Note: Cylinder housing only. Interchangeable Cylinder MD-N1 must be ordered for a complete assembly.
- Up to 6,500 key changes available. (750 key changes per master key.)



Cut Out Dimension



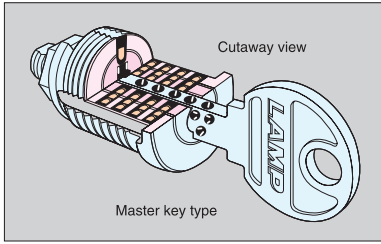
Master Key, Interchangeable Cylinder, Interchangeable Cylinder Key are sold separately.



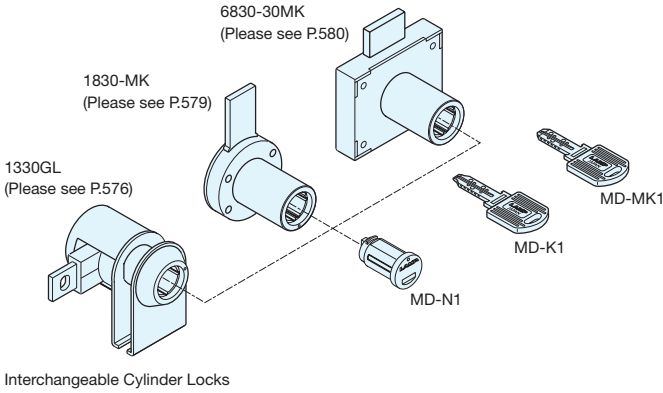
No.	Part Name	Material	Finish
①	Cylinder Housing	Zinc Alloy	Satin Nickel (DN)/Gold (GA)
②	Front Ring	Brass	
③	Front Plate	304 Stainless Steel	Satin Nickel (DN)/Gold
④	Large Hex Nut	Steel	Yellow Zinc Chromate
⑤	Small Hex Nut		Chromate
⑥	Washer		Chromate
⑦	Case Cover	Polypropylene	Black
⑧	Ring		Black
⑨	Cam	304 Stainless Steel	Polished
⑩	Counterplate		Polished

Item No.	Glass Thickness (mm)	Finish	Weight (g)	Box (pcs)	Carton (pcs)
1330GL-MK/GA	5-10	Gold (GA)	130	12	60
1330GL-MK/DN	(3/16" ~ 3/8")	Satin Nickel (DN)			

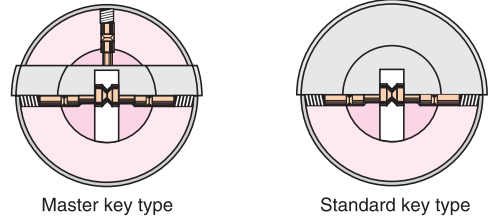
MILLION LOCK SERIES



Interchangeable Cylinder + Million Lock = Complete Assembly
Example: MD-N1 + 6830-30MK/DN

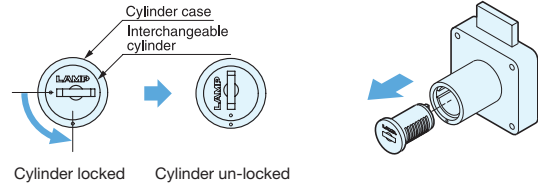


- Dimple key lock series.
- Cylinder changeable type.
 - One cylinder can be used on 3 different types of locks. (1830, 6830 and 1330GL)
 - Using with master key system allows easy key management.



To remove the cylinder:

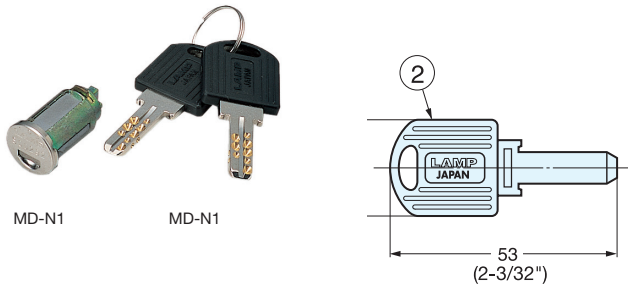
Turn cylinder by using cylinder change key (optional).
Match dots on cylinder and case.
Pull key to detach.



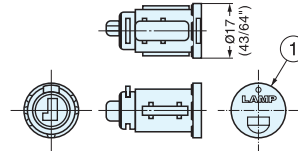
INTERCHANGEABLE CYLINDER KEY



MD-N1



- Cylinder and key set for 1830, 6830 and 1330GL locks.
- Interchangeable feature allows easy cylinder replacement in case key is lost.
- Up to 7,800 key changes available. (750 key changes per master key.)
- Keyed Alike (KA) or Keyed Different (KD) available. Please specify when ordering.



Item No.	Component	Weight (g)	Box (pcs)	Carton (pcs)	No.	Component	Material	Finish
MD-N1	Cylinder	21	12	60	①	Interchangeable Cylinder	304 Stainless Steel/Zinc Alloy	Polished/Yellow Zinc Chromate
	Key	12			②	Key	Brass/ABS	Nickel/Black

INTERCHANGEABLE CYLINDER KEY



MD-MK1, K1



- MD-MK1 - Master key for easy key management.
- MD-K1 - Key to remove existing cylinder only. Does NOT open lock.

Item No.	Key Type	Weight (g)	Box (pcs)	Carton (pcs)	Material	Finish/Color
MD-MK1	Master Key	12	1	10	Brass/ABS	Nickel/Black
MD-K1	Change Key					

DRAWER LOCK



1830-MK

LOCKS

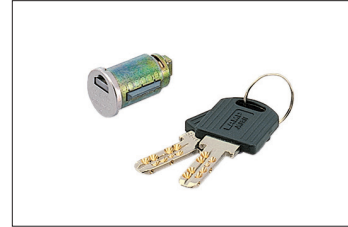


1830-MK/GA

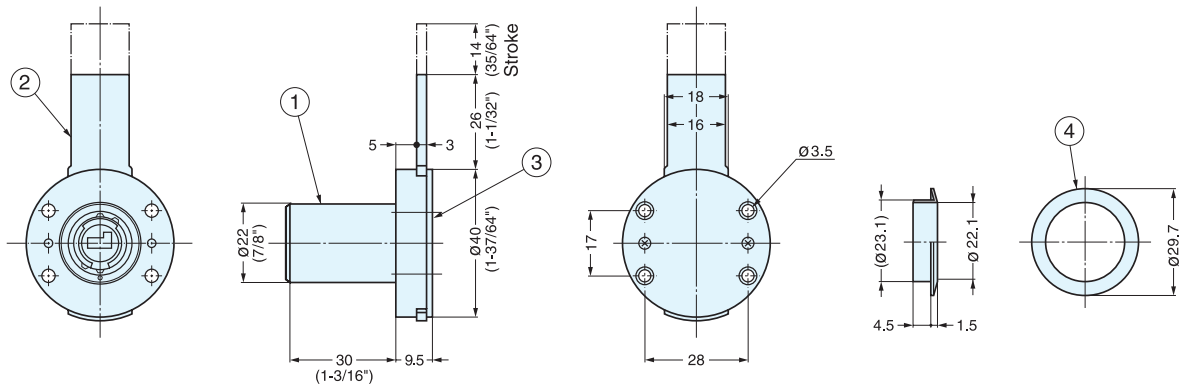


1830-MK/DN

- Interchangeable Cylinder Lock
- Cylinder can be changed by using change key MD-K1. Easy to replace cylinder in case key is lost.
- Up to 6,500 key changes available. (750 key changes per master key.)
- Cylinder housing Diameter: 22mm (7/8")
- * Cylinder housing only. Interchangeable Cylinder MD-N1 must be ordered for a complete assembly.



Master Key, Interchangeable Cylinder & Key are sold separately. See P.578



No.	Part Name	Material	Finish
①	Cylinder Housing	Zinc Alloy	Satin Nickel (DN)/Gold (GA)
②	Dead Bolt	304 Stainless Steel	Polished
③	Cover		
④	Ring	Brass	Satin Nickel (DN)/Gold (GA)

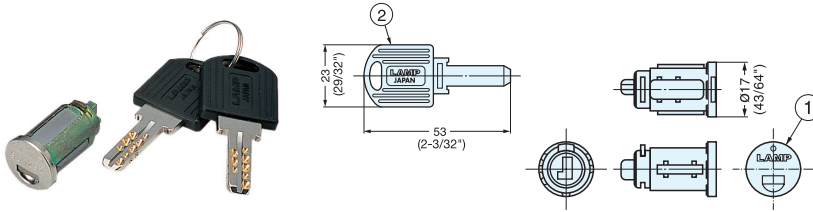
Item No.	Door Thickness	Finish	Weight (g)	Box (pcs)	Carton (pcs)
1830-MK/GA	30 (1-3/16")	Gold (GA)/Clear	185	12	60
1830-MK/DN	30 (1-3/16")	Satin Nickel (DN)			

MILLION LOCKS

INTERCHANGEABLE CYLINDER KEY



MD-N1



- Cylinder and key set for 1830, 6830 and 1330GL locks.
- Interchangeable feature allows easy cylinder replacement in case key is lost.
- Up to 7,800 key changes available. (750 key changes per master key.)
- Keyed Alike (KA) or Keyed Different (KD) available. Please specify when ordering.

Item No.	Component	Weight (g)	Box (pcs)	Carton (pcs)	Component	Material	Finish
MD-N1	Cylinder	21	12	60	Cylinder	304 Stainless Steel/Zinc Alloy	Polished/Yellow Zinc Chromate
	Key	12			Key	Brass/ABS	Nickel/Black

INTERCHANGEABLE CYLINDER KEY



MD-MK1, K1



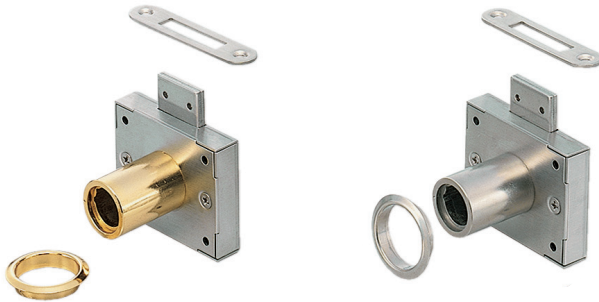
- MD-MK1 - Master key for easy key management.
- MD-K1 - Key to remove existing cylinder only. Does NOT open lock.

Item No.	Key Type	Weight (g)	Box (pcs)	Carton (pcs)	Material	Finish/Color
MD-MK1	Master Key	12	1	10	Brass/ABS	Nickel/Black
MD-K1	Change Key					

CABINET LOCK



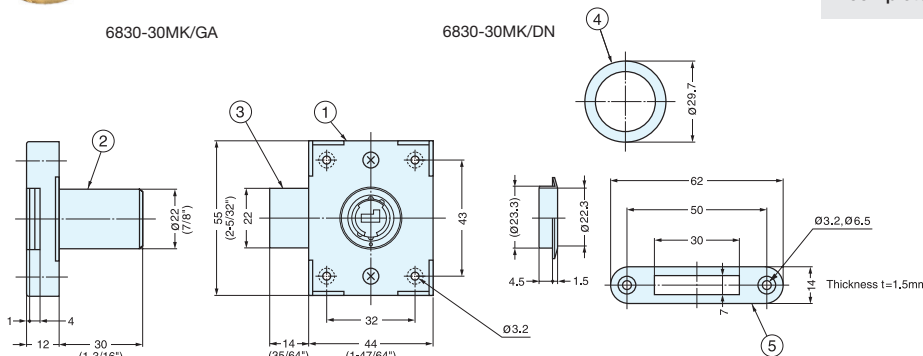
6830-30MK



6830-30MK/GA

6830-30MK/DN

- Cylinder lock with stainless steel body.
- Interchangeable Cylinder Lock
- Cylinder can be changed by using change key MD-K1. Easy to replace cylinder in case key is lost.
- Up to 7,800 key changes available. (750 key changes per master key.)
- Cylinder housing Diameter: 22 mm (7/8")
- 2 mm (5/64") plastic distance plate 6810-SP available for various door thickness. See P.581
- * Cylinder housing only. Interchangeable Cylinder MD-N1 must be ordered for a complete assembly.



Master Key, Interchangeable Cylinder & Key are sold separately. See P.578

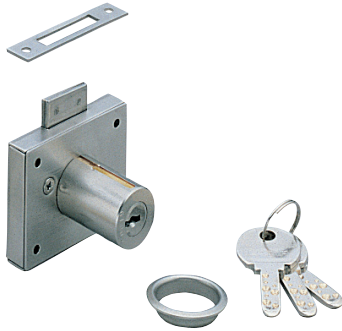
No.	Part Name	Material	Finish
①	Body	304 Stainless Steel	Satin
②	Cylinder Housing	Zinc Alloy	Satin Nickel (DN)/Gold (GA)
③	Dead Bolt	304 Stainless Steel	-
④	Ring	Brass	Satin Nickel (DN)/Gold (GA)
⑤	Counterplate	304 Stainless Steel	Satin

Item No.	Door Thickness	Finish	Weight (g)	Box (pcs)	Carton (pcs)
6830-30MK/GA	30 (1-3/16")	Gold/Clear	180	12	60
6830-30MK/DN	30 (1-3/16")	Nickel			

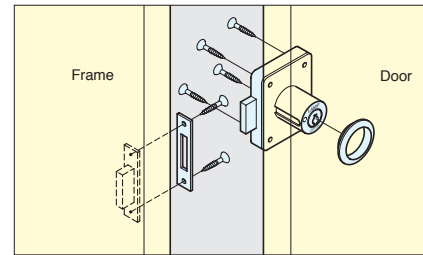
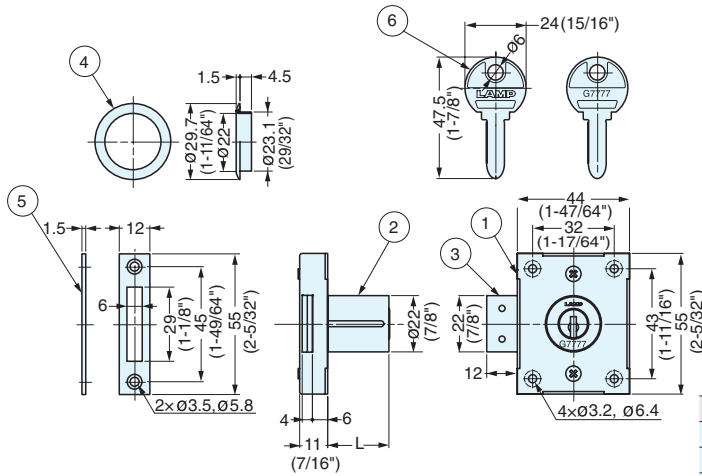
CABINET LOCK



7810



- For use on right-handed doors (Lock for drawer application available by special order).
- High-security Million Lock dimple key; keys are reversible. Turn the key 360° to lock or unlock.
- Brass cylinder lock with stainless steel body.
- One million key changes available; Please specify keyed alike or differently when ordering.
- Includes screws.
- Available in Satin Nickel (NI) or Chrome (CR) finish.
- Can be used with spacer 6810-SP, sold separately. See below.
- Master key system available at a surcharge (Max. 2,520 key changes per master key).

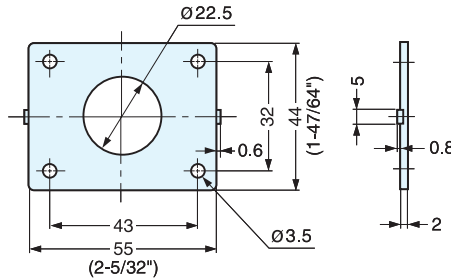


No.	Part Name	Material	Finish
①	Body	304 Stainless Steel	Satin
②	Cylinder Housing	Brass	Satin Nickel(NI)/Chrome(CR)
③	Dead Bolt	304 Stainless Steel	Plain
④	Ring	Brass	Satin Nickel(NI)/Chrome(CR)
⑤	Counterplate	304 Stainless Steel	Satin
⑥	Key	Brass	Nickel

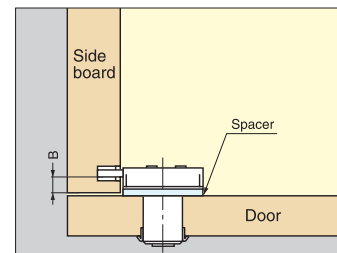
Item No.	L	Door Thickness (mm)	Weight (g)	Box (pcs)	Carton (pcs)
7810-24NI	24 (15/16")	22~24 (7/8"~15/16")	190	12	60
7810-24CR					
7810-30NI	30 (1-3/16")	28~30 (1-3/32"~1-3/16")	210		
7810-30CR					
7810-36NI	36 (1-7/16")	34~36 (1-3/18"~1-7/16")	225		
7810-36CR					

SPACER

6810-SP



- Distance spacer for 3810S, 6830, 7810, and 8810-24 series locks.
- Use when additional distance on dimension B is required.
- Thickness: 2mm (5/64")
- Multiple spacers can be used if needed.



Item No.	Thickness	Weight (g)	Box (pcs)	Carton (pcs)
6810-SP	2	4.5	150	1500

CABINET LOCK (W/BUILT-IN KEY CHANGE)



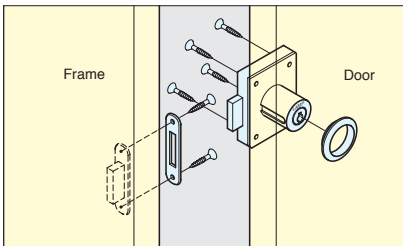
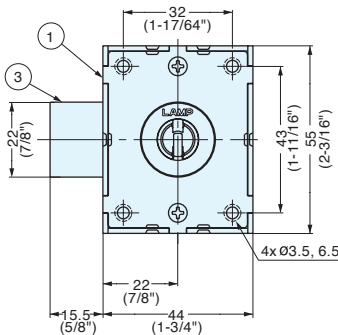
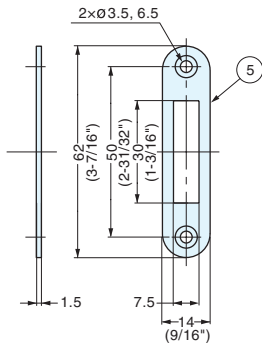
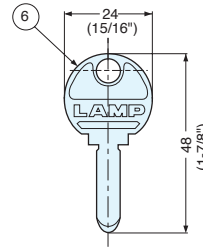
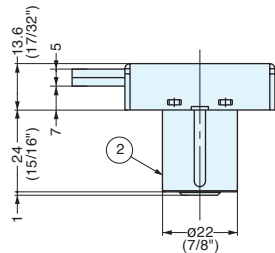
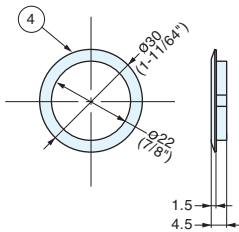
8810-24

LOCKS

MILLION LOCKS



- Lock's key number can be changed in place without removing the lock.
- Cost effective hardware where retrieving keys can be problematic, such as lockers, laundry rooms, etc.
- Change each lock's key number up to 2 times.
- High security dimple key.
- Up to 3 million key changes available. (3,000 key changes per master key.)
- Please specify keyed alike or differently when ordering.
- Master key available at a surcharge.
- Includes screws and original keys.



Installation for door

How it works:

- Each lock includes keys for the original key number only.
- To change the lock's key number, enter the new key and rotate 360°.
- After changing the lock's key number, the previously used key cannot open the lock.
- 1st and 2nd change keys are sold separately.

Master Key System:

- Master keys for each key number change are available.
- Master keys must be also changed after the lock's key number is changed.
- If only some of the locks' key numbers in a master key system are changed, multiple master keys for that portion should still be kept.

No.	Part Name	Material	Finish
①	Body	430 Stainless Steel	Satin
②	Cylinder Housing	Brass	Satin Nickel
③	Dead Bolt	430 Stainless Steel	Plain
④	Ring	Brass	Nickel
⑤	Counterplate	430 Stainless Steel	Satin
⑥	Key	Nickel Silver	Polished

Item No.	Door Thickness	Weight (g)	Box (pcs)	Carton (pcs)
8810-24	22-24	190	12	60
8810-24MK	(7/8" ~ 15/16")			

CABINET LOCK



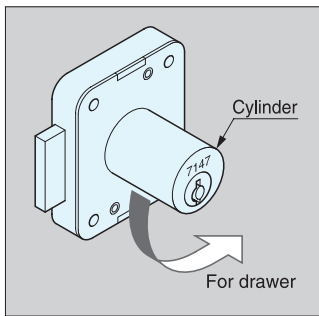
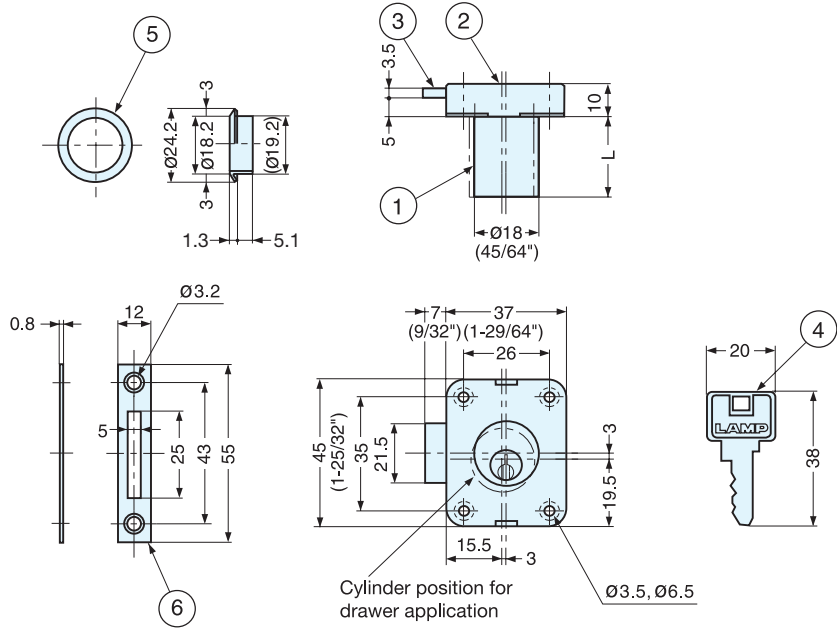
2100

LOCKS

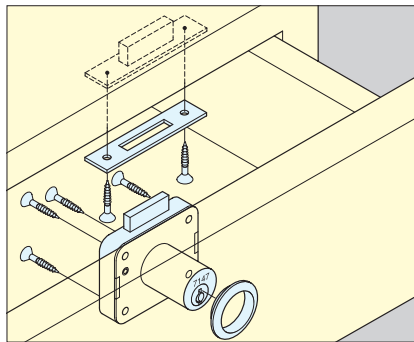
CABINET LOCKS



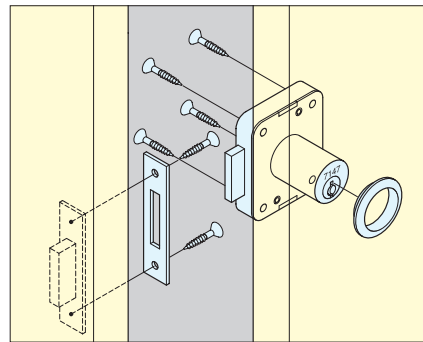
- Brass cylinder lock.
- Cylinder rotates for either drawer or cabinet door application.
- Cylinder Diameter: 18mm (11/16")
- 12 key changes available; Please specify keyed alike or differently when ordering.
- Master key NOT available.
- Keys can be shared with other 2100 series locks.



To change lock for drawer application: turn lock cylinder 90° counterclockwise.



Installation for drawer



Installation for right-handed door

No.	Part Name	Material	Finish
①	Cylinder Housing	Brass	Nickel
②	Body		
③	Dead Bolt		
④	Key		
⑤	Ring	304 Stainless Steel	Plain
⑥	Counterplate		

Item No.	L	Door Thickness	Weight (g)	Box (pcs)	Carton (pcs)
2100-24	24 (15/16")	24 (15/16")	116	12	120
2100-30	30 (1-3/16")	30 (1-3/16")	125		

CABINET LOCK (W/INDICATOR)



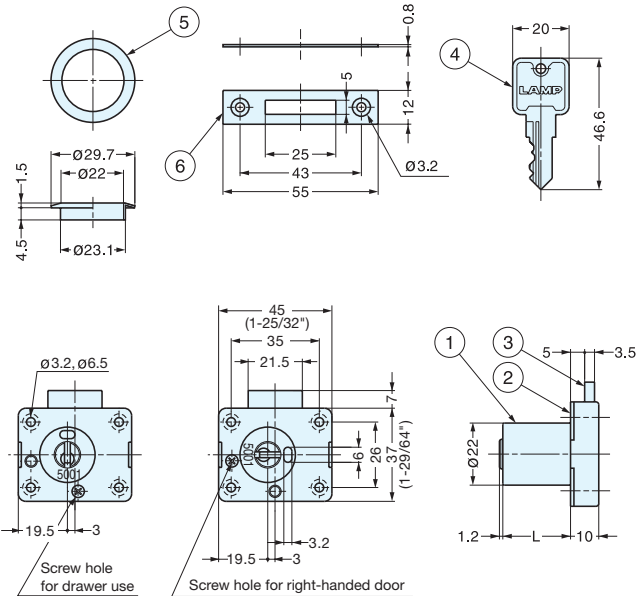
2200

LOCKS

CABINET LOCKS



- Cylinder lock with locked/unlocked indicator.
- Indicator: Unlocked - Blue, Locked - Red
- Cylinder rotates for either drawer or cabinet door application.
- Cylinder Diameter: 22 mm (7/8")
- 12 key changes available.
- Keyed Alike (KA) or Keyed Different (KD) available; Please specify when ordering.
- Master key available at surcharge. (2200-24MK, 2200-30MK)
- Keys can be shared with other 2200 series locks.
- 4 mm (5/32") plastic distance plate TSSP available for various door thickness. See P.587



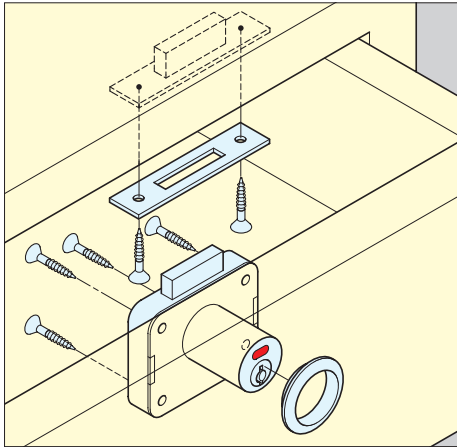
TSSP-W (White)

TSSP-B (Black)

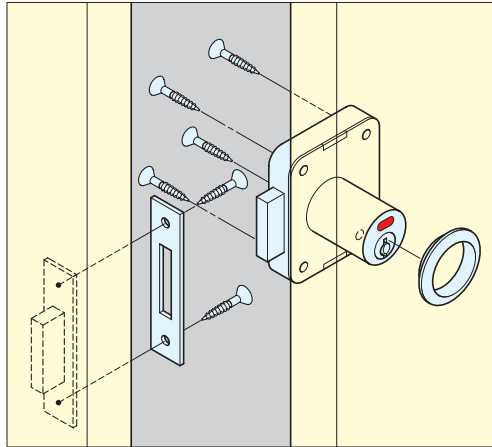
Spacer sold separately.

Screw hole for drawer use

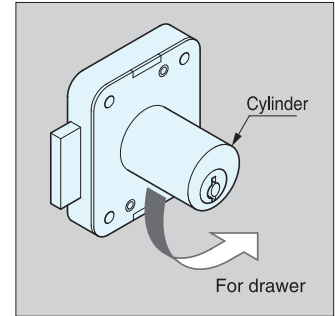
Screw hole for right-handed door



Installation for drawer



Installation for right-handed door



To change lock for drawer application: turn lock cylinder 90° counterclockwise and install fixing screw.

No.	Part Name	Material	Finish
①	Cylinder Housing	Zinc Alloy	Nickel
②	Body	Brass	
③	Dead Bolt		
④	Key		
⑤	Ring	304 Stainless Steel	Plain
⑥	Counterplate		

Item No.	L	Door Thickness	Weight (g)	Box (pcs)	Carton (pcs)
2200-24	24 (15/16")	24 (15/16")	115	12	120
2200-30	30 (1-3/16")	30 (1-3/16")	141		

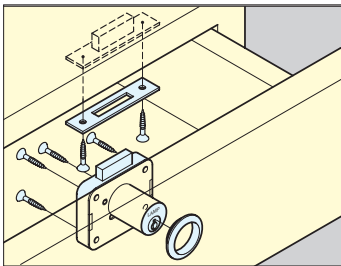
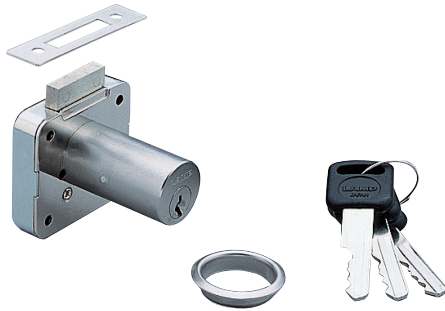
CABINET LOCK



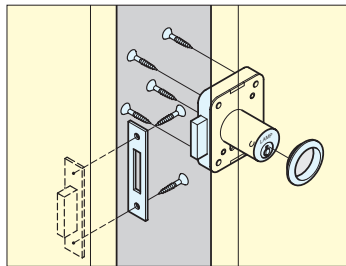
2550

LOCKS

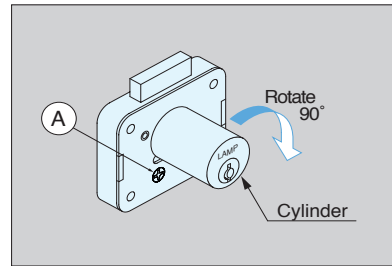
- Cabinet lock with 90° rotating cylinder for right-handed doors (see diagram below).
- Up to 300 key changes available; Please specify keyed alike or differently when ordering. (80 key changes per master key.)
- Includes screws.
- Master key available as a special order at a surcharge.



Installation for drawer

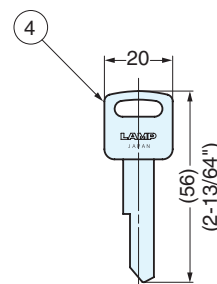
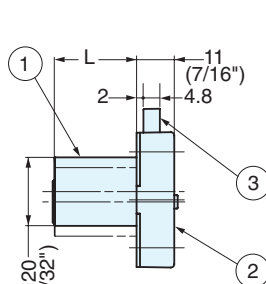
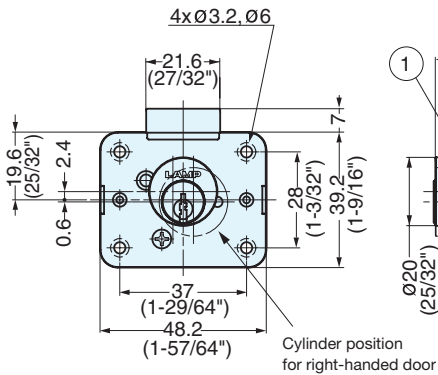
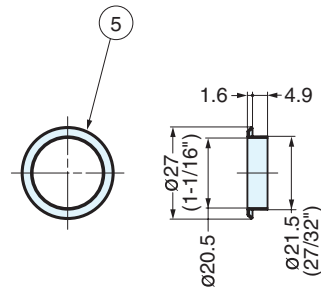
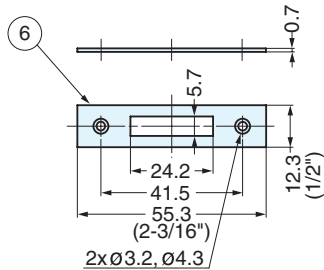


Installation for right-handed door



To rotate cylinder, loosen screw ③ and rotate cylinder 90° clockwise and tighten it afterwards.

CABINET LOCKS



No.	Part Name	Material	Finish
①	Cylinder Housing	Brass	Nickel
②	Body	Zinc Alloy	Yellow Zinc Chromate
③	Dead Bolt		Nickel
④	Key	Brass	Nickel
⑤	Ring		Satin Nickel
⑥	Counterplate		Nickel

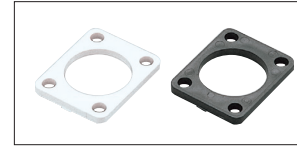
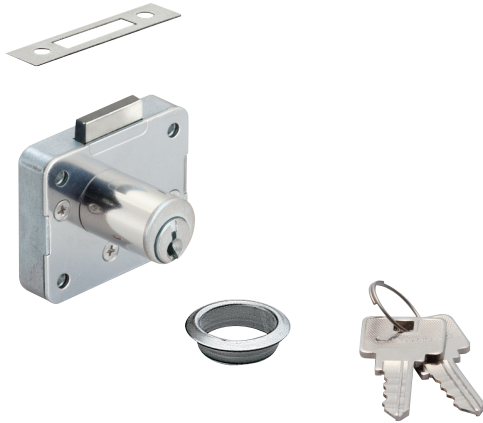
Item No.	L	Door Thickness (mm)	Weight (g)	Box (pcs)	Carton (pcs)
2550-24-DN	24 (15/16")	24 (15/16")	140	12	120
2550-24-DNMK					
2550-36-DN	36 (1-7/16")	36 (1-7/16")	170		
2550-36-DNMK					

CABINET LOCK

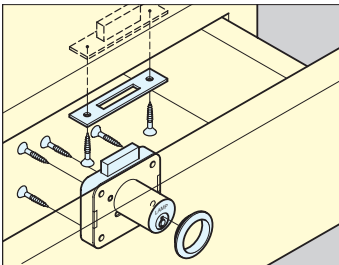


2650

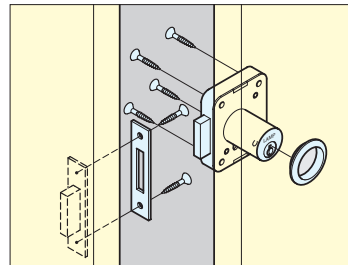
- Cabinet lock with 90° rotating cylinder for right-handed doors (see diagram below).
- Up to 48 key changes available for 2650-16; up to 96 key changes available for each of 2650-22 and 2650-30.
- Please specify keyed alike or differently when ordering.
- Can be used with spacer TSSP (P.587), sold separately.



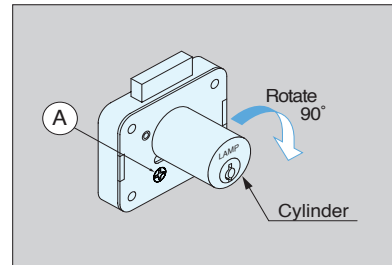
TSSP SERIES (Sold separately)



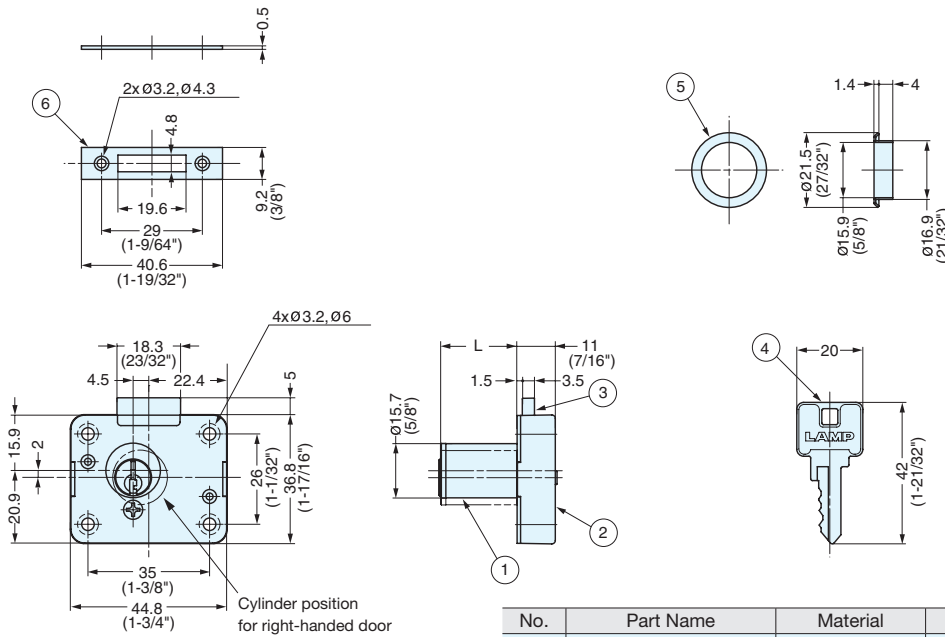
Installation for drawer



Installation for right-handed door



To rotate cylinder, loosen screw A and rotate cylinder 90° clockwise and tighten it afterwards.



No.	Part Name	Material	Finish
①	Cylinder Housing	Zinc Alloy	Satin Nickel
②	Body		Yellow Zinc Chromate
③	Dead Bolt	Brass	Nickel
④	Key		Nickel
⑤	Ring		Satin Nickel
⑥	Counterplate		Plain

Item No.	L	Door Thickness	Weight (g)	Box (pcs)	Carton (pcs)
2650-16-DN	16 (5/8")	16 (5/8")	81.5	12	240
2650-22-DN	22 (7/8")	22 (7/8")	89.5		
2650-30-DN	30 (1-3/16")	30 (1-3/16")	98		

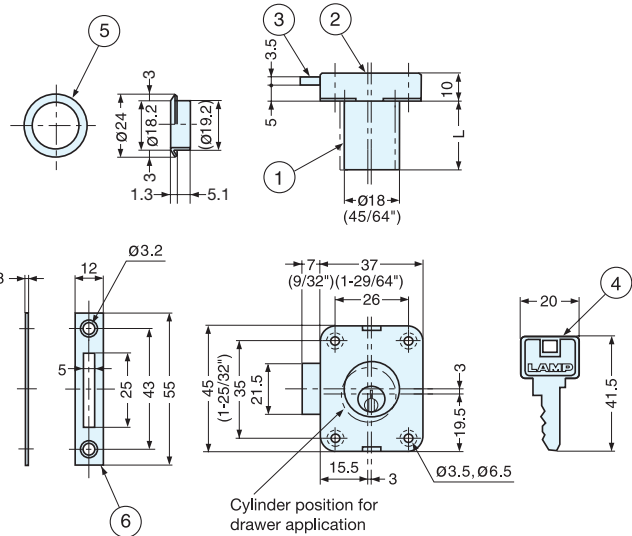
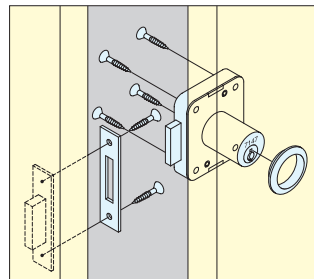
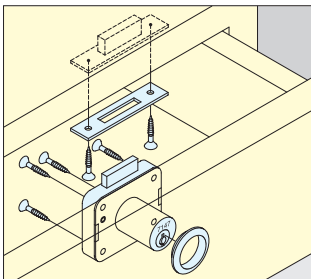
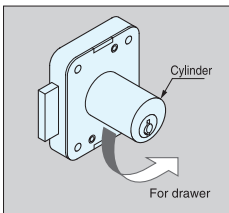
CABINET LOCK



3310



- Brass cylinder lock.
- Cylinder rotates for either drawer or cabinet door application.
- Cylinder Diameter: 18mm (11/16")
- 156 key changes available; Please specify keyed alike or differently when ordering.
- Master key NOT available.
- Keys can be shared with other 3300 series locks.
- 4mm (5/32") plastic distance plate TSSP available for various door thickness. See below.

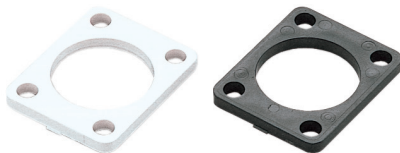


No.	Part Name	Material	Finish
①	Cylinder Housing	Brass	Nickel
②	Body		
③	Dead Bolt		
④	Key		
⑤	Ring	304 Stainless Steel	-
⑥	Counterplate		

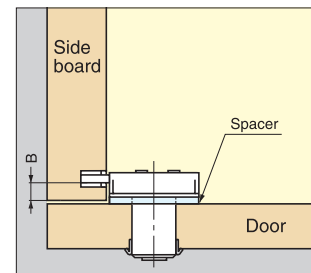
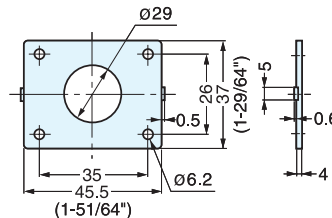
Item No.	L	Door Thickness	Weight (g)	Box (pcs)	Carton (pcs)
3310-24	24 (15/16")	24 (15/16")	116	12	120
3310-30	30 (1-3/16")	30 (1-3/16")	125		

SPACER

TSSP



- Spacer for 2100, 2200, 2650, 3310, and 3320 locks.
- Use when additional distance on dimension B is required.
- Thickness: 4mm (5/32")
- Multiple spacers can be used if needed.

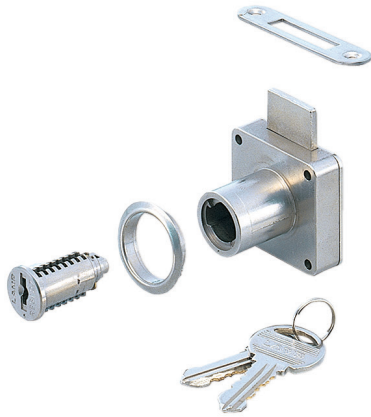


Item No.	Weight (g)	Box (pcs)	Carton (pcs)	Material	Color	
TSSP-W	TSSP-B	14	150	1500	ABS	White/Black

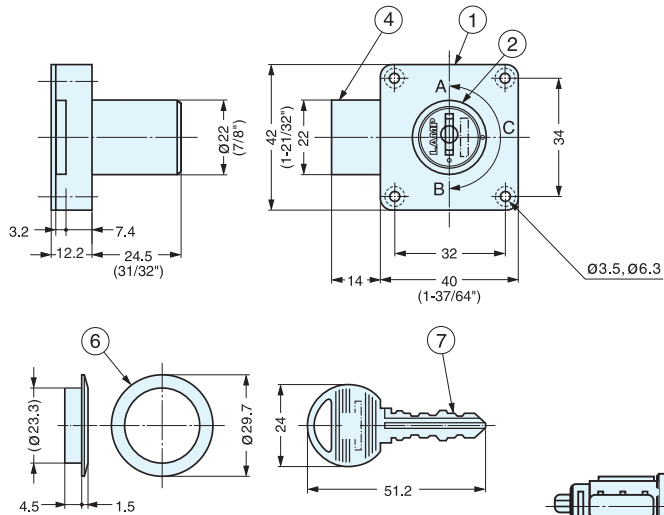
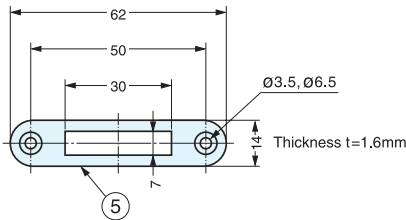
CABINET LOCK



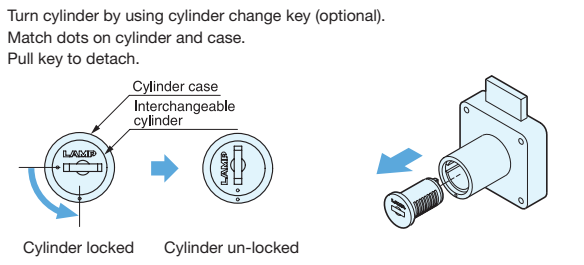
5830-24MK



- Interchangeable Cylinder Lock.
- Inner cylinder can be replaced, ideal for applications where keys are often lost, and key numbers need to be changed for security.
- Long dead bolt.
- Lock housing, cylinder and 2 keys supplied per set.
- Cylinder housing Diameter: 22mm (7/8")
- Maximum 3,120 key changes available. (780 per master key.)
- Master Key, Cylinder Change Key and Cylinder for replacement sold separately.
 Master Key - 5830-MK1
 Cylinder Change Key - 5830-K1
 Replacement Cylinder - 5830-N1



To remove the cylinder:

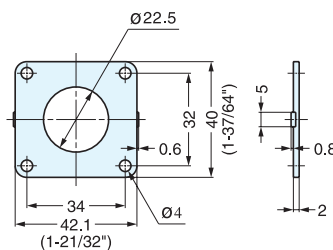
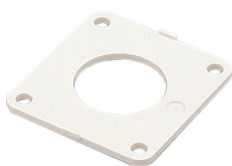


No.	Part Name	Material	Finish
①	Body	Zinc Alloy	Nickel
②	Cylinder Housing	Steel	
③	Interchangeable Cylinder	Zinc Alloy	
④	Dead Bolt	Steel	
⑤	Counterplate		
⑥	Ring	Brass	
⑦	Key		

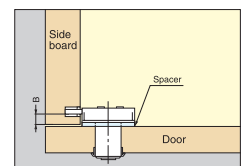
Item No.	Door Thickness	Weight (g)	Box (pcs)	Carton (pcs)
5830-24MK	24 (15/16")	155	12	60

SPACER

5830-SP



- Spacer for 5830-24MK.
- Use when additional distance on dimension B required.
- Thickness: 2mm (5/64")
- Multiple spacers can be used if needed.



Item No.	Weight (g)	Box (pcs)	Carton (pcs)
5830-SP	14	25	250

Material	Color
ABS	White

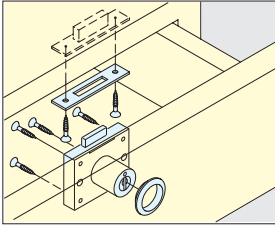
CABINET LOCK (W/INDICATOR)



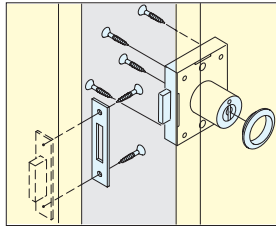
2200QL



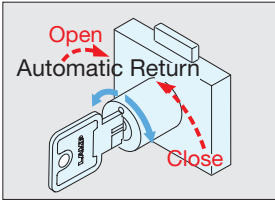
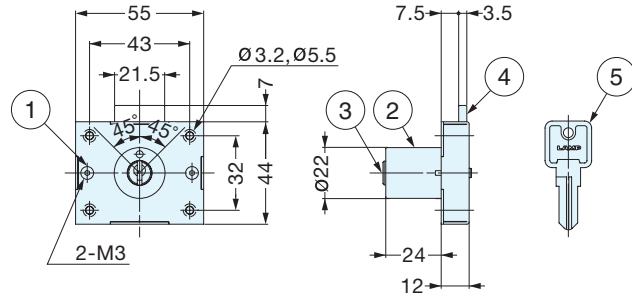
- Only 1/8 turn is needed to unlock/lock the door.
- Key automatically returns to original position, making it easy to remove the key.
- With indicator.
- 300 key changes available; Please specify keyed alike or differently when ordering.
- Master key type available at surcharge. (Maximum 170 key changes per master key)
- Keys can be shared with other 2200 series locks.



Installation for drawer



Installation for right-handed door
(This application is available with special ordered lock.)



Operation

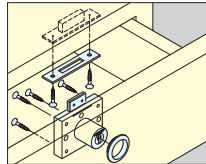
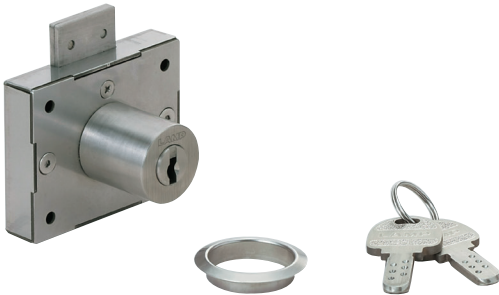
Item No.	Door Thickness	Weight (g)	Box (pcs)	Carton (pcs)
2200QL-24	24 (15/16")	200	12	60

No.	Part Name	Material	Finish
①	Body	304 Stainless Steel	Plain
②	Cylinder (Outer)	Brass	Stain Nickel
③	Cylinder (Inner)	Zinc Alloy	
④	Dead Bolt		Nickel
⑤	Key	Brass	

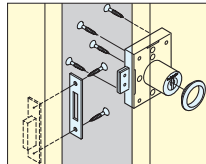
STAINLESS STEEL CABINET LOCK



3810S

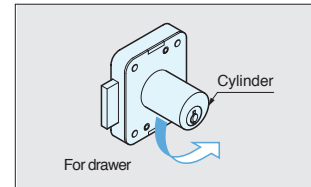
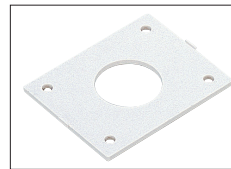
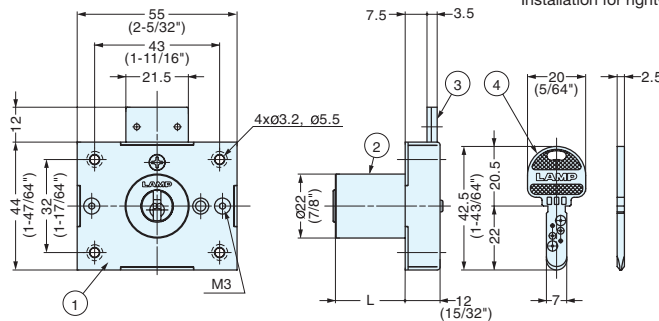


Installation for drawer



Installation for right-handed door

- Components made of 304 stainless steel for corrosion resistance.
- Durable key made of corrosion/abrasion resistant nickel. Key is reversible.
- Cylinder rotates for either drawer or cabinet door application.
- Up to 300 key changes available. Please specify keyed alike or differently when ordering.
- Master key option available as a special order at a surcharge.
- Can be used with spacer 6810-SP (P.581), sold separately.



To change lock for drawer application, turn cylinder 90° counterclockwise and install fixing screw.

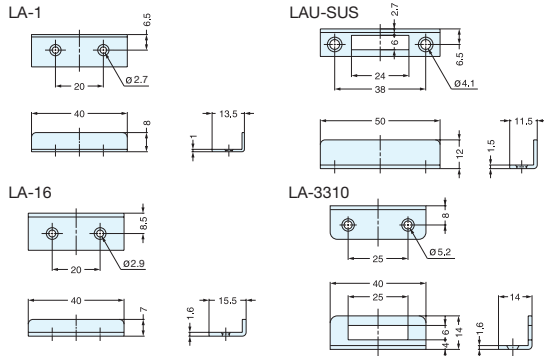
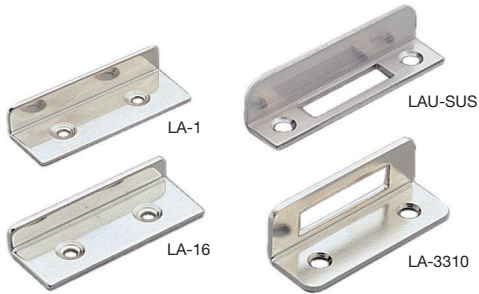
Item No.	L	Door Thickness(mm)	Weight(g)	Box(pcs)	Carton(pcs)
3810S-24	24 (15/16")	24 (15/16")	180	12	60
3810S-30	30 (1-3/16")	30 (1-3/16")	195		

No.	Part Name	Material	Finish
①	Body*	304 Stainless Steel	Plain
②	Cylinder Housing		Satin
③	Dead Bolt		Plain
④	Key	Nickel Silver	

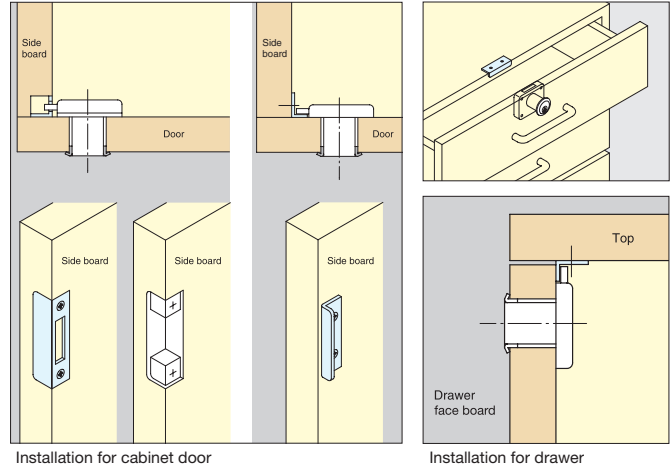
*Cylinder pins are made of brass.

STRIKE

LA SERIES



- Optional strike plates for applications where dead bolt is close to the cabinet edge, or for inset applications.
- LA-3310 is for double door application of 3310 series and 3320 series.

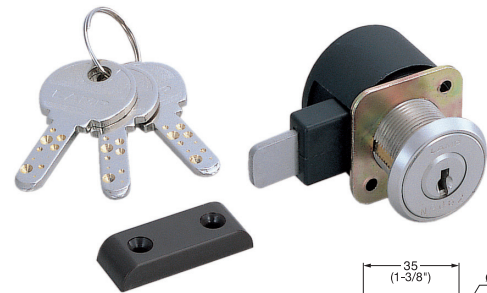


Item No.	Weight (g)	Box (pcs)	Carton (pcs)	Material	Finish
LA-1	6	400	1600	Steel	Nickel
LA-16	9				
LA-3310	11	100	1000	304 Stainless Steel	Satin
LAU-SUS	10	250			

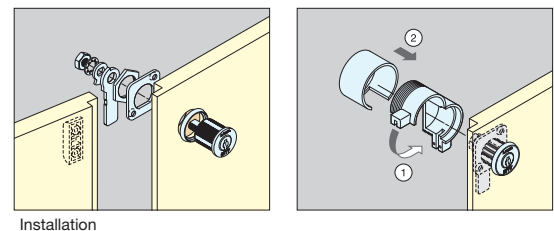
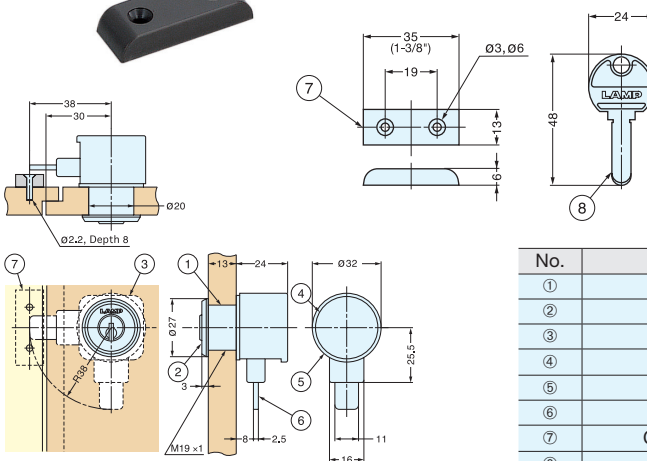
CAM LOCK FOR WOOD DOORS



1300SK



- Dimple key lock series.
- Reversible key. (3 keys supplied)
- Designed for door thickness 13mm (1/2").
- 1 million key changes available; Please specify keyed alike or differently when ordering.
- Turn the key 360° to lock or unlock.
- 90° cam rotation.
- Master key system available at surcharge. (Max. 2,520 key changes per master key.)



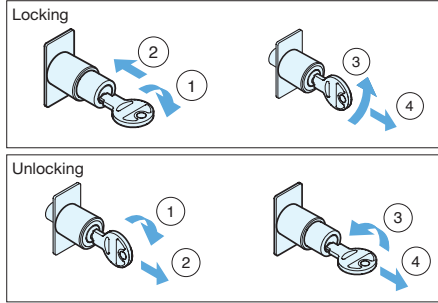
No.	Part Name	Material	Finish
①	Body	Brass	Nickel
②	Base Ring		
③	Plate	Steel	Zinc Chromate
④	Case Cover	Polypropylene	Black
⑤	Ring		
⑥	Cam	303 Stainless Steel	Satin
⑦	Counterplate	ABS	Brown
⑧	Key	Brass	Nickel

Item No.	Door Thickness	Weight (g)	Box (pcs)	Carton (pcs)
1300SK	13 (1/2")	115	12	60

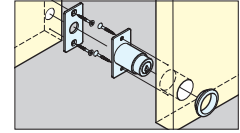
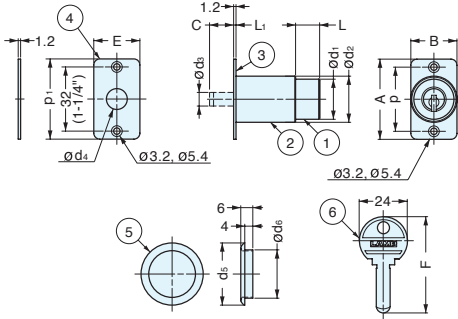
PUSH LOCK



2300, 2400



- Push lock for bypass sliding doors.
- Back-surface mount lock, counterplate is mounted on the front face of the back door.
- Locking: Turn key 90° to the right, push in, turn key 90° to the left, and remove.
- Unlocking: Turn key 90° to the right and lock will automatically disengage and turn the key 90° back, and remove.
- High-security Million Lock dimple key; one million key changes available.
- Please specify keyed alike or differently when ordering. (2,520 key changes per master key.)
- Master key system available by special order at a surcharge.



Installation

No.	Part Name	Material	Finish
①	Body	Brass	Chrome
②	Cylinder Housing	Zinc Alloy	
③	Counterplate	304 Stainless Steel	Plain
④	Mounting Plate		
⑤	Ring	Brass	Chrome
⑥	Key		Nickel

Item No.	Door Thickness(mm)	A	B	C	D	E	F	L ₁	L ₂	d ₁	d ₂	d ₃	d ₄	d ₅	d ₆	P	P ₁	Weight(g)	Box (pcs)	Carton (pcs)
2400M-20	20 (13/16")	35 (1-3/8")	20 (25/32")	10	35 (1-3/8")	20	46	22 (7/8")	10	16	20	7	7.5	26	21.1	27	27	65	12	60
2400M-25	25 (1")							27 (1-1/16")										70		
2300M	30 (1-3/16")	40 (1-9/16")	24 (15/16")	12	40 (1-9/16")	24	48	30 (1-3/16")	12	20	24	10	10.4	32	25.1	32	32	100		

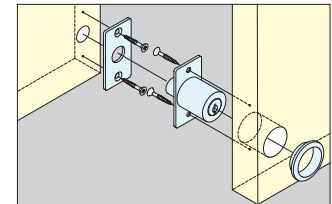
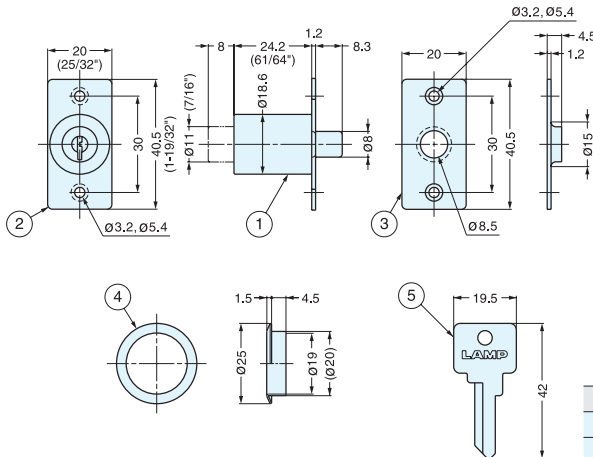
PUSH LOCK



2160M



- Push lock for 1" thick bypass sliding doors.
- Back-surface mount lock, counterplate is mounted on the front face of the back door.
- Unlock by inserting the key and gently turning to the right and ejecting the cylinder.
- Lock by inserting the key and push the cylinder in.
- Up to 24 key changes available; master key option not available.
- Please specify keyed alike or differently when ordering.

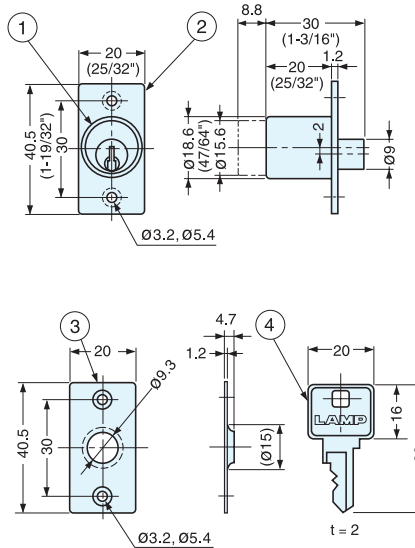


Installation

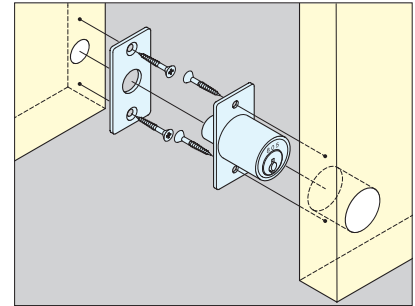
No.	Part Name	Material	Finish
①	Cylinder Housing	Zinc Alloy	Nickel
②	Mounting Plate	Brass	
③	Counterplate		
④	Ring		
⑤	Key		

Item No.	Door Thickness	Weight (g)	Box (pcs)	Carton (pcs)
2160M	24 (15/16")	50	24	240

PUSH LOCK


2100M


- Zinc alloy cylinder push lock for sliding doors.
- Push cylinder to lock.
- Cylinder Length: 20mm (25/32")
- Cylinder Diameter: 18.6mm (47/64")
- 12 key changes available.
- Please specify keyed alike or differently when ordering.
- Master key NOT available.
- Keys can be shared with other 2100 series locks.

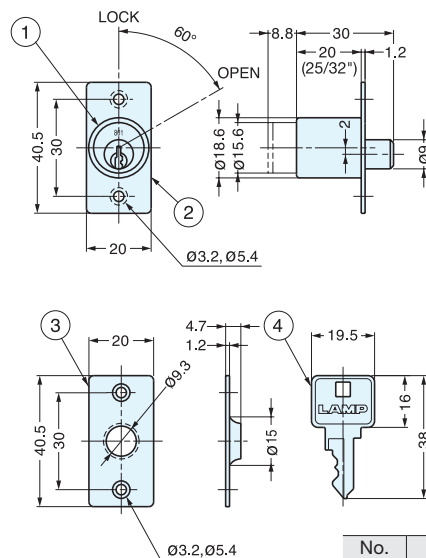


Installation

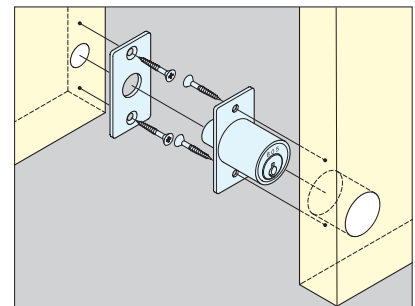
Item No.	Door Thickness	Weight (g)	Box (pcs)	Carton (pcs)
2100M	20 (25/32")	60	12	240

No.	Part Name	Material	Finish
①	Cylinder Housing	Zinc Alloy	Satin Nickel
②	Mounting Plate	Brass	Nickel
③	Counterplate		
④	Key		

PUSH LOCK


2110M


- Zinc alloy cylinder push lock for sliding doors.
- Key is required to lock and to unlock.
- To Lock: Insert key and turn 60° clockwise. Push-in the cylinder and turn the key 60° back.
- Key is removable in both locked and un-locked position.
- Cylinder Length: 20mm (25/32")
- Cylinder Diameter: 18.6mm (47/64")
- 12 key changes available.
- Please specify keyed alike or differently when ordering.
- Master key NOT available.
- Keys can be shared with other 2100 series locks.



Installation

Item No.	Door Thickness	Weight (g)	Box (pcs)	Carton (pcs)
2110M	20 (25/32")	60	12	240

No.	Part Name	Material	Finish
①	Cylinder Housing	Zinc Alloy	Nickel
②	Mounting Plate	Brass	
③	Counterplate		
④	Key		

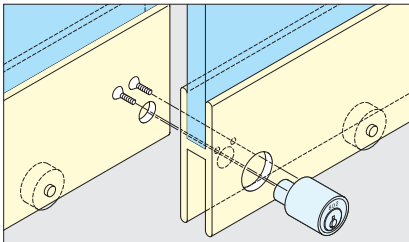
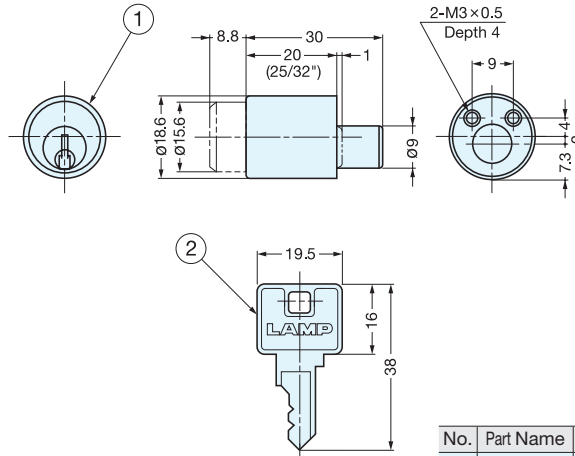
PUSH LOCK



2100B



- Zinc alloy cylinder push lock for metal-framed glass doors or sheet metal double sliding doors.
- Push cylinder to lock.
- Cylinder Diameter: 18.6 mm (47/64")
- Keys can be shared with other 2100 series locks.
- 12 key changes available; Please specify keyed alike or differently when ordering.



Installation

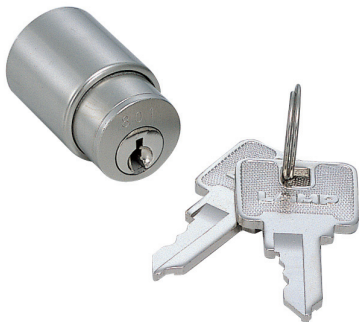
No.	Part Name	Material	Finish
①	Body	Zinc Alloy	Satin Nickel
②	Key	Brass	Nickel

Item No.	Metal Frame Thickness	Cylinder Diameter	Key Changes	Keys Included	Weight (g)	Box (pcs)	Carton (pcs)
2100B	20 (25/32")	18.6 (47/64")	12	2	50	40	400

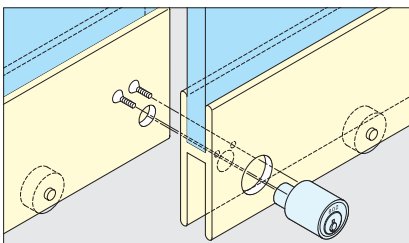
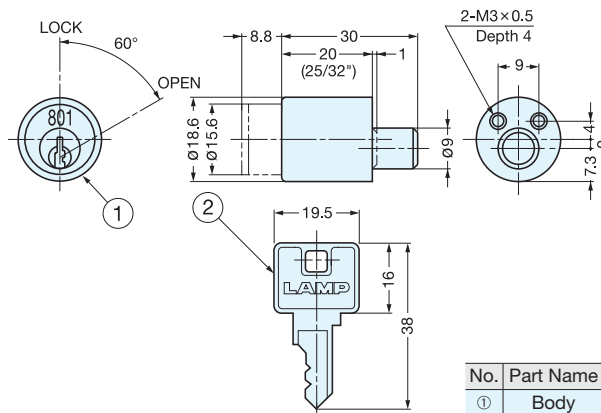
PUSH LOCK



2110B



- Zinc alloy cylinder push lock for metal-framed glass doors or sheet metal double sliding doors.
- Key is required to lock and to unlock.
- To Lock: Insert key and turn 60° clockwise. Push-in the cylinder and turn the key 60° back.
- Cylinder Diameter: 18.6 mm (47/64")
- Keys can be shared with other 2100 series locks.
- 12 key changes available; Please specify keyed alike or differently when ordering.



Installation

No.	Part Name	Material	Finish
①	Body	Zinc Alloy	Satin Nickel
②	Key	Brass	Nickel

Item No.	Metal Frame Thickness	Cylinder Diameter	Key Changes	Keys Included	Weight (g)	Box (pcs)	Carton (pcs)
2110B	20 (25/32")	18.6 (47/64")	12	2	50	40	400

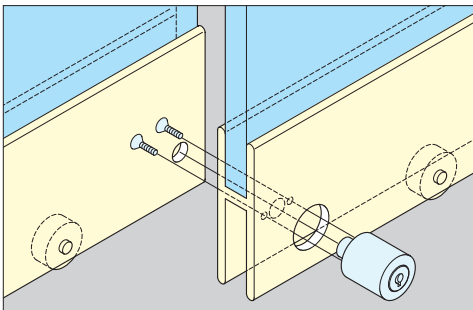
PUSH LOCK



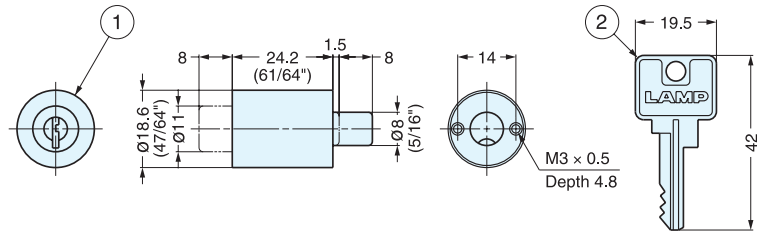
2150B



- Zinc alloy cylinder push lock for metal-framed glass door or sheet metal double sliding doors.
- Push cylinder to lock.
- Cylinder Diameter: 18.6mm (47/64")
- 24 key changes available; Please specify keyed alike or differently when ordering.
- Master key NOT available.



Installation



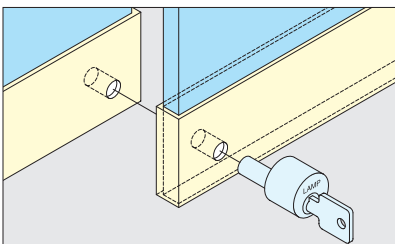
Item No.	Metal Frame Thickness	Weight (g)	Box (pcs)	Carton (pcs)	No.	Part Name	Material	Finish
2150B	24 (15/16")	50	24	240	①	Body	Zinc Alloy	Nickel
					②	Key	Brass	Nickel

PUSH LOCK

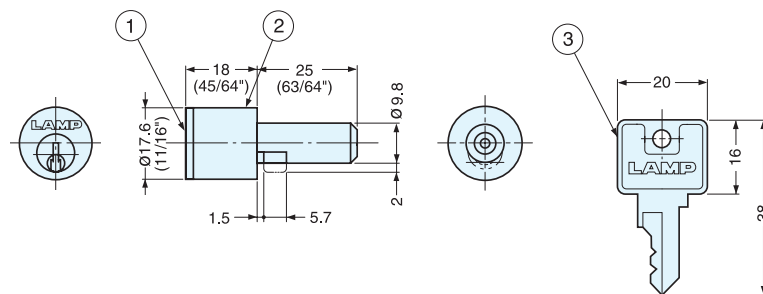
6300



- Zinc alloy cylinder push lock for metal-framed glass doors.
- Easy installation. Only 10mm hole required on door.
- Cylinder Diameter: 17.6mm (11/16")
- Bolt Length: 25mm (63/64")
- Bolt Diameter: 9.8mm (25/64")
- 96 key changes available; Please specify keyed alike or differently when ordering.
- Master key NOT available.
- For material thickness is 1.2mm.



Installation



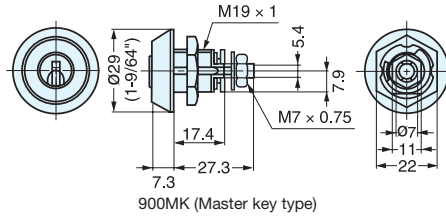
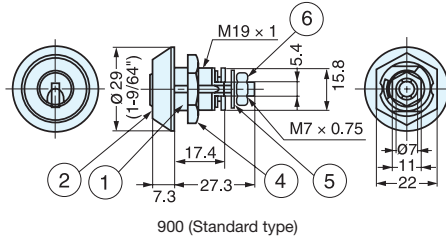
No.	Part Name	Material	Finish
①	Body	Zinc Alloy	Satin Nickel
②	Cover	Brass	Nickel
③	Key		

Item No.	Metal Frame Thickness	Cylinder Diameter	Key Changes	Keys Included	Weight (g)	Box (pcs)	Carton (pcs)
6300	19 (3/4")	17.6 (11/16")	96	2	50	24	240

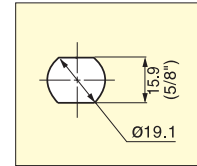
SHEET METAL CAM LOCK



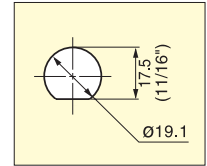
900



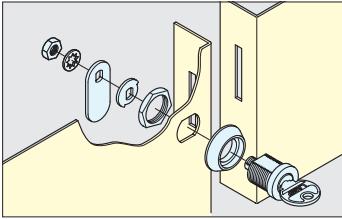
- Brass cylinder cam lock.
- Reversible key.
- 90 degree cam rotation.
- Key is removable in locked position only. (Key works as a knob in unlocked position.)
- 1 million key changes available; Please specify keyed alike or differently when ordering.
- Master key type available at surcharge. (Maximum 2,520 key changes per master key.)



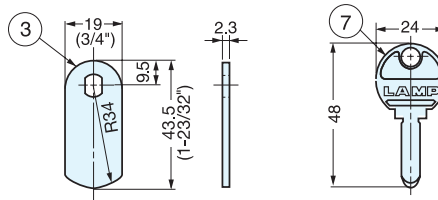
Cut Out Dimensions (Standard type)



Cut Out Dimensions (Master key type)



Installation



No.	Part Name	Material	Finish
①	Body	Brass	Chrome
②	Ring		
③	Cam	Steel	Yellow Zinc Chromate
④	Hex Nut		Nickel
⑤	Washer		Yellow Zinc Chromate
⑥	Hex Nut	Brass	Nickel
⑦	Key		

Item No.	Metal Thickness (mm)	Keys Included	Weight (g)	Box (pcs)	Carton (pcs)
900	0.8-8	2	120	12	60
900MK (with Master key)	(1/32"~5/16")				

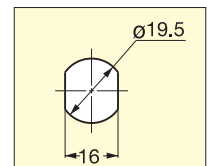
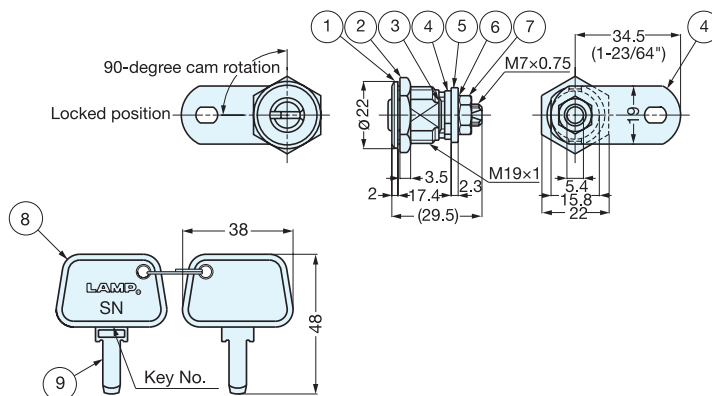
SHEET METAL CAM LOCK



SN-711-8



- Brass cylinder cam lock.
- 90 degree cam rotation.
- Key is removable in locked position only. "Keyed differently" is available by special order. (Up to 1,500 key changes.)
- * Extreme pressure on key when in unlocked position may cause damage to the lock.



Cut Out Dimensions

No.	Part Name	Material	Finish/Color
①	Body	Brass	Chrome
②	Large Hex Nut	Steel	Yellow Zinc Chromate
③	Ring	304 Stainless Steel	Plain
④	Cam	Steel	Chromate
⑤	Plate		
⑥	Washer		
⑦	Small Hex Nut		
⑧	Cover	ABS	Black
⑨	Key	Brass	Nickel

Item No.	Metal Thickness (mm)	Keys Included	Weight (g)	Box (pcs)	Carton (pcs)
SN-711-8	0.1-9 (1/64"~23/64")	2	77	50	150

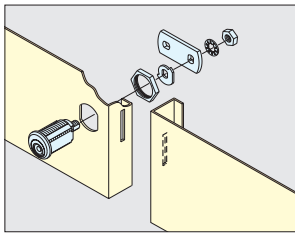
SHEET METAL CAM LOCK



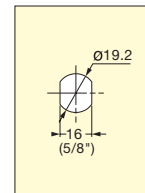
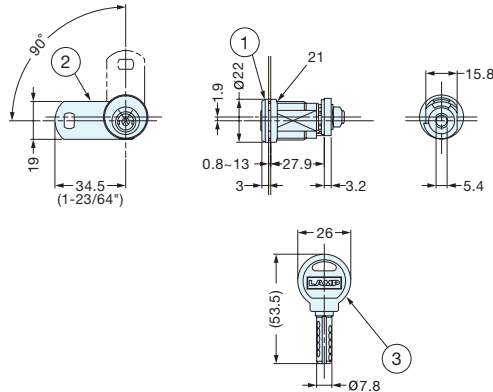
DCY-34



- High security with special key design.
- Reversible key.
- 90 degree cam rotation
- Key is removable in locked position only. (Key works as a knob in unlocked position.)
- Universal direction - Cam direction changeable.
- 2,000 key changes available; Please specify keyed alike or differently when ordering.
- Master key type available at surcharge. (Maximum 866 key changes per master key)



Installation



Cut Out Dimensions

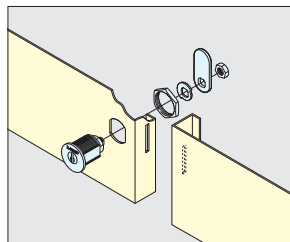
No.	Part Name	Material	Finish
①	Body	Brass	Chrome
②	Cam		Yellow Zinc Chromate
③	Key	Brass/ABS	Nickel/Black

Item No.	Metal Thickness (mm)	Keys Included	Weight (g)	Box (pcs)	Carton (pcs)
DCY-34	0.8~13 (1/32"~1/2")	2	101	12	60

SHEET METAL CAM LOCK

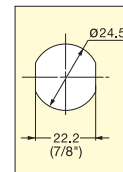
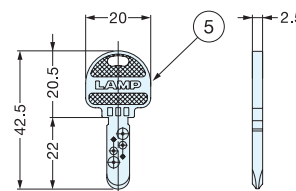
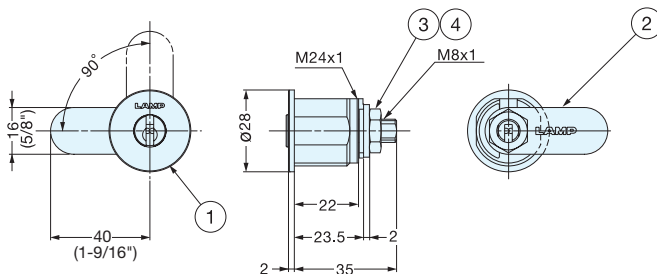


3800S



Installation

- High corrosion resistance.
- Reversible key.
- Key is removable in locked position only. (Key works as a knob in unlocked position.)
- Universal direction - Cam direction changeable.
- 300 key changes available; Please specify keyed alike or differently when ordering.
- Master key type available at surcharge. (Maximum 300 key changes per master key)



Cut Out Dimensions

No.	Part Name	Material	Finish
①	Body	303 Stainless Steel	Satin
②	Cam	304 Stainless Steel	Plain
③	Small Hex Nut	303 Stainless Steel	
④	Washer	304 Stainless Steel	
⑤	Key	Nickel Silver	

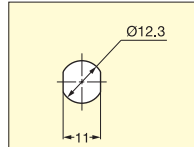
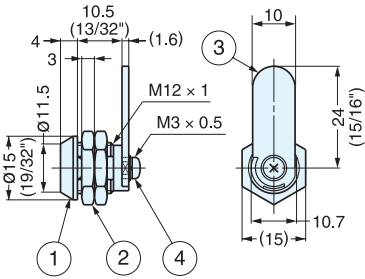
Item No.	Metal Thickness (mm)	Keys Included	Weight (g)	Box (pcs)	Carton (pcs)
3800S	2~10 (5/64"~3/8")	2	119	12	60

SHEET METAL MINI CAM LOCK

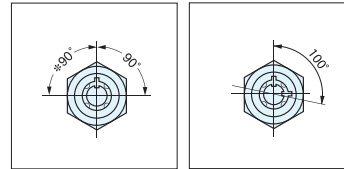
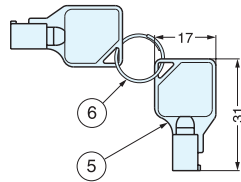
NAL-S



- Mini zinc alloy cylinder cam lock for sheet metal doors.
- 90 degrees cam rotation.
- Cam is reversible.
- NAL-S-1: Key withdrawals in locked position only. (Key works as a knob in unlocked position.)
- NAL-S-2: Key withdrawals in both locked and unlocked positions.
- Keyed alike only. Keyed differently type available upon request.(Special order)
- * Cam should be horizontal when unlocked, and should be pointing upwards when locked.
- * Not suitable for compression latch situation.
- * Pressure to cam may cause damage to cylinder.



Cut Out Dimensions



*Turn the cam (3) over to use NAL-S as a counterclockwise turn lock.

No.	Part Name	Material	Finish
①	Body	Zinc Alloy	Chrome
②	Hex Nut	Steel	Chromate
③	Cam		Chrome
④	Screw		Chromate
⑤	Key	304 Stainless Steel	Chrome
⑥	Key Ring		Plain

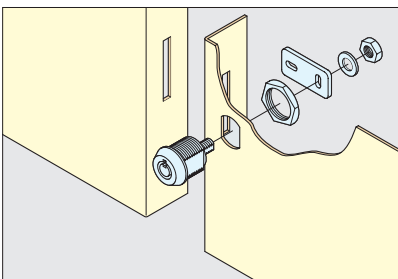
Item No.	Number of Slot (s)	Cylinder Diameter	Key Changes	Keys Included	Weight (g)	Box (pcs)	Carton (pcs)
NAL-S-1	1	12 (1/2") / Width 10.7 (7/16")	100	2	25	100	500
NAL-S-2	2	12 (1/2") / Width 10.7 (7/16")					

SHEET METAL CAM LOCK

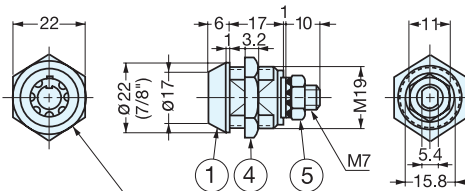
NAL



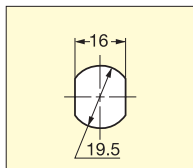
- Brass cylinder tubular cam lock for sheet metal doors.
- 90 degree cam rotation.
- Key is removable in locked position only. (Key acts as a knob in un-locked position.)
- Please specify key No. or combination when ordering if necessary.
- 5,000 key changes available; Please specify keyed alike or differently when ordering.



Installation



Key works as a knob in unlocked position.



Cut Out Dimensions

No.	Part Name	Material	Finish
①	Body	Brass	Chrome
②	Key	Steel	Nickel
③	Cam	Brass	Yellow Zinc Chromate
④	Hex Nut		
⑤			

Item No.	Door Thickness (mm)	Cylinder Diameter	Key Changes	Keys Included	Weight (g)	Box (pcs)	Carton (pcs)
NAL	Max. 10 (3/8")	19 (3/4")/Width 15.8 (5/8")	5000	2	55	100	300