



**Pacta**  
***SALICE***



# PACTA



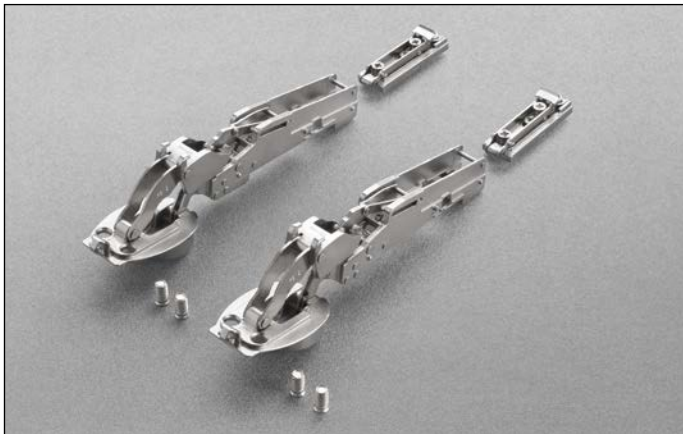
Pacta is a compact hinge system for drop down doors that open downwards without the need for additional flap stays or cables.

Pacta has a soft opening system for a controlled and gradual opening.

In the fully-open position, the door and cabinet bottom panel are aligned, creating a uniform and flat surface.

Available in either Soft Opening with Self close feature or Soft Opening with Push to open feature for handle-less doors. Pacta covers are offered in a variety of finishes to complement and blend with any interior. Application possibilities are endless: kitchen & bathroom cabinets, living room furniture and can also be used to create desks or writing surfaces.





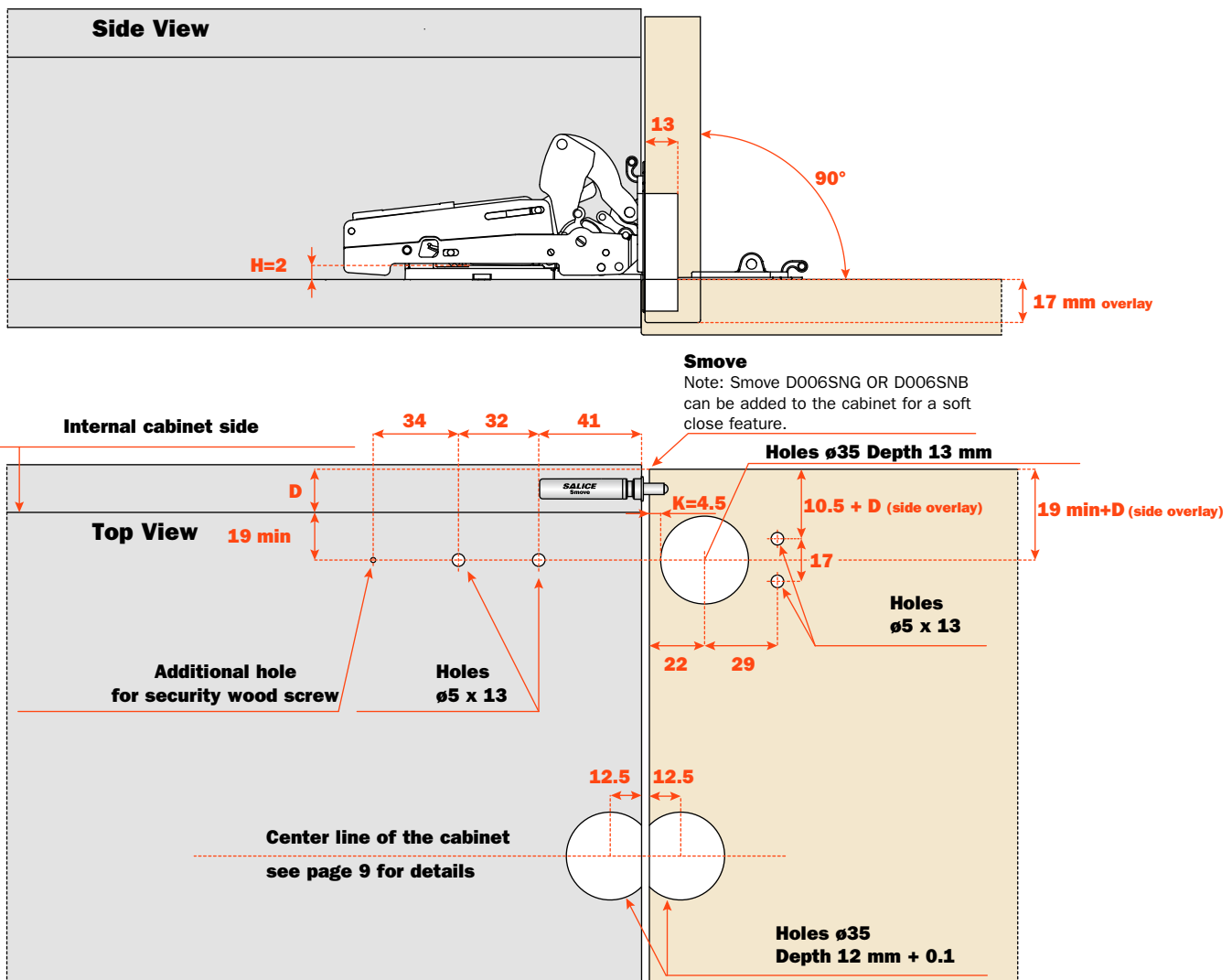
**Technical information**

**Hinges with Soft Opening and self close feature.**

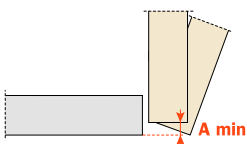
Standard drilling of the door  $\varnothing$  35.  
 13 mm deep cup.  
 90° opening.  
 Fixed K = 4.5 mm.  
 Minimum door height of 11"  
 Maximum door height of 16"  
 Minimum door thickness of 16 mm  
 Maximum door thickness of 28 mm.  
 Overlay 17 mm  $\pm$  adjustment.  
 Attachment to the cabinet with in-line, snap-on mounting plate (BAPGR29/16).

**Pacta is tested and certified to level 3 of UNI EN 15828:2010**

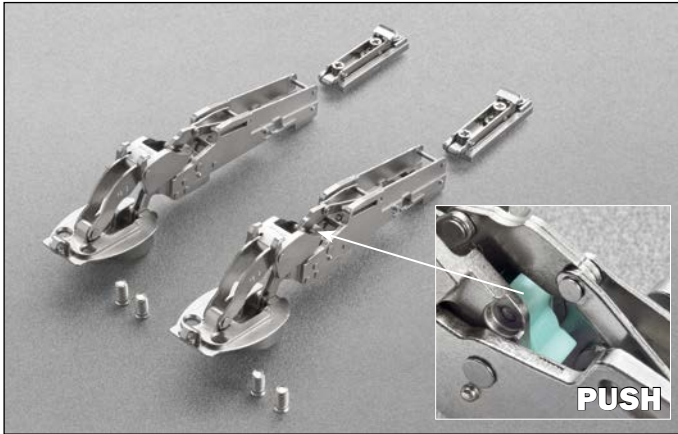
**Drilling patterns**



**Space needed to open the door**



	T=	16	17	18	19	20	21	22	23	24	25	26	27	28
K=4.5	A=	1.3	2.1	3	3.9	4.8	5.7	6.6	7.5	8.5	9.4	10.4	11.3	12.3



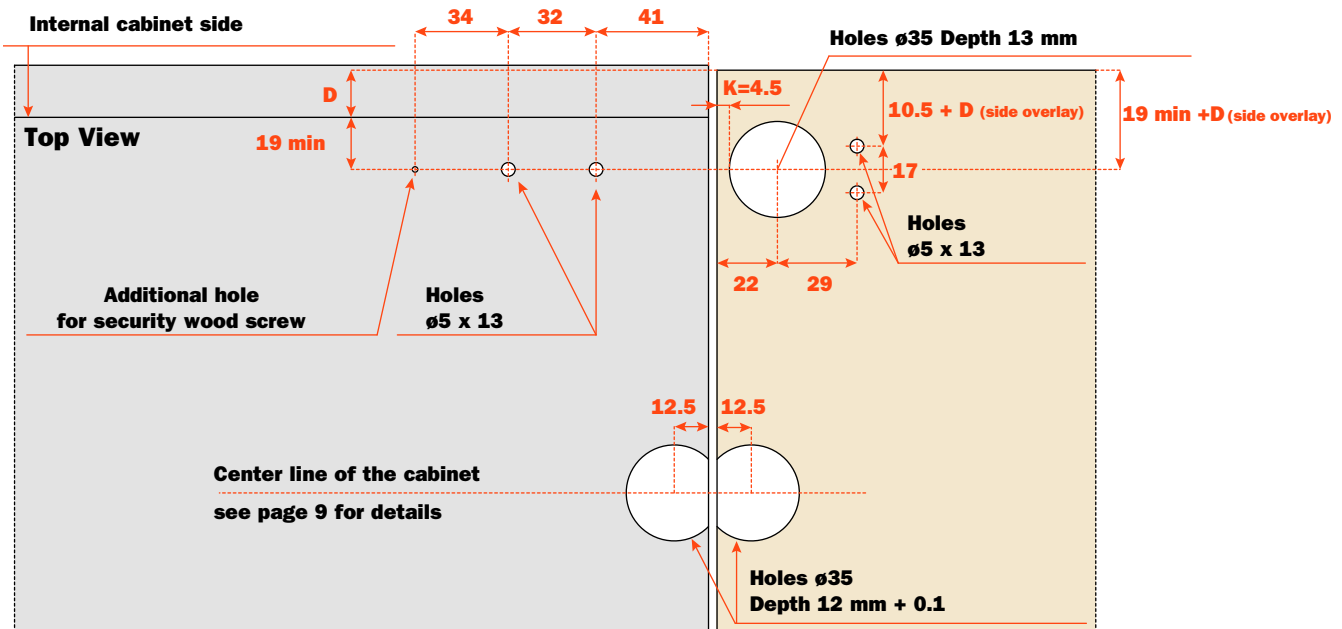
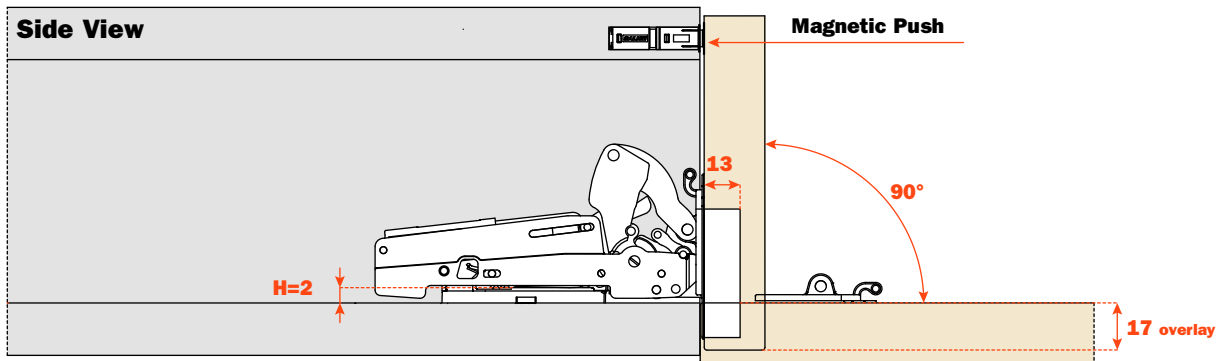
### Technical information

#### Hinges with Soft Opening and Push to open feature.

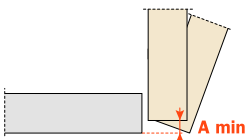
Standard drilling of the door  $\varnothing$  35.  
 13 mm deep cup.  
 90° opening.  
 Fixed K = 4.5 mm.  
 Minimum door height of 11"  
 Maximum door height of 16"  
 Minimum door thickness of 16 mm  
 Maximum door thickness of 28 mm.  
 Overlay 17 mm  $\pm$  adjustment.  
 Attachment to the cabinet with in-line, snap-on mounting plate (BAPGR29/16).

**Pacta is tested and certified to level 3 of UNI EN 15828:2010**

### Drilling patterns

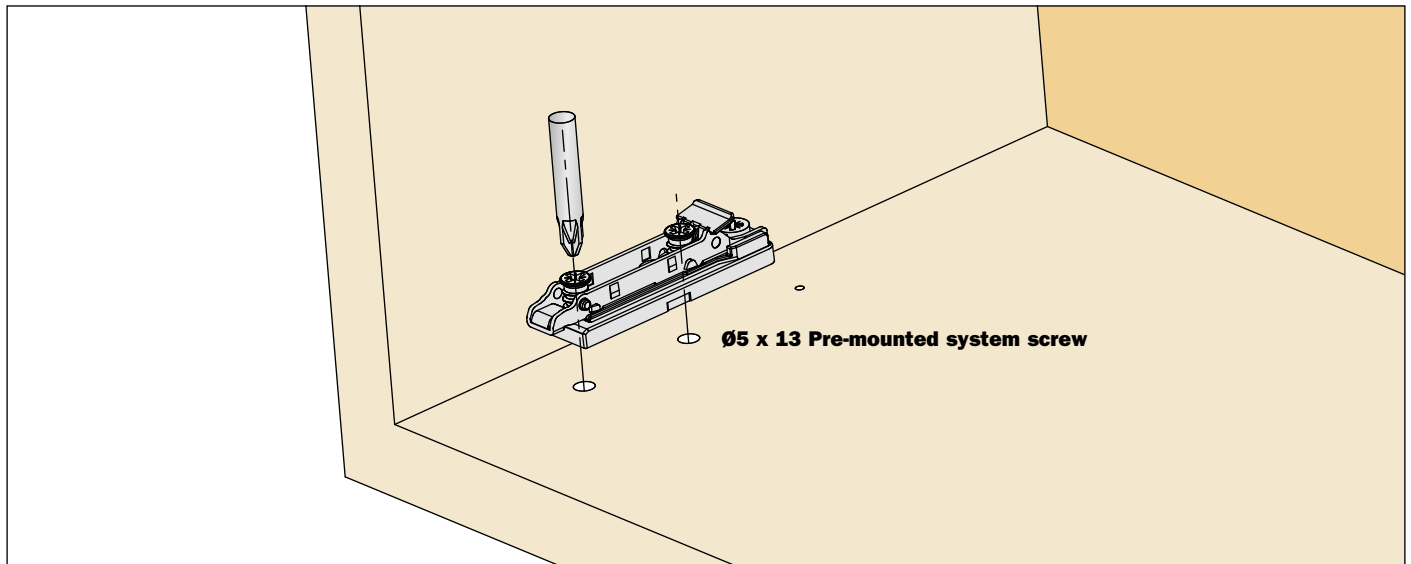


### Space needed to open the door

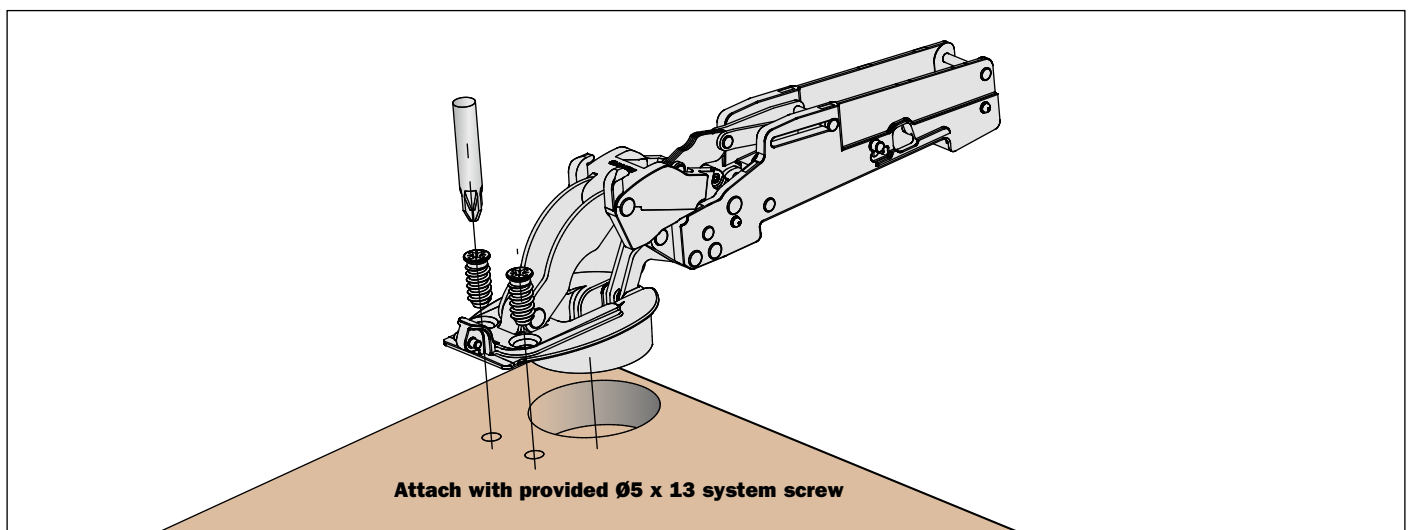


	T=	16	17	18	19	20	21	22	23	24	25	26	27	28
K=4.5	A=	1.3	2.1	3	3.9	4.8	5.7	6.6	7.5	8.5	9.4	10.4	11.3	12.3

**Attaching the mounting plate to the cabinet**

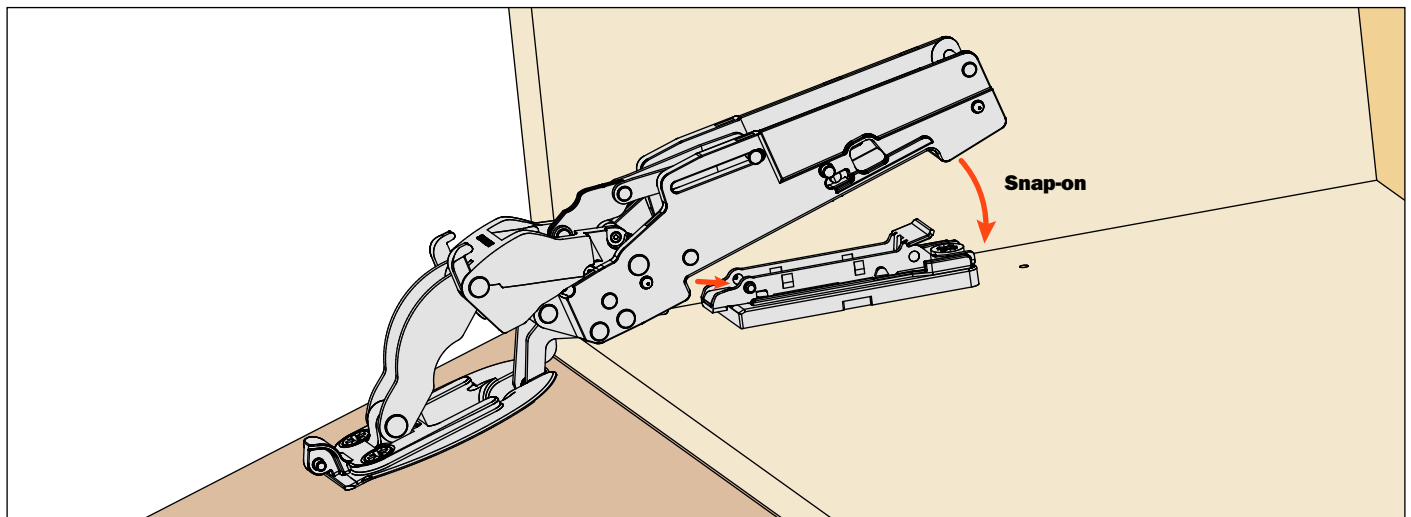


**Attaching the hinge to the door**

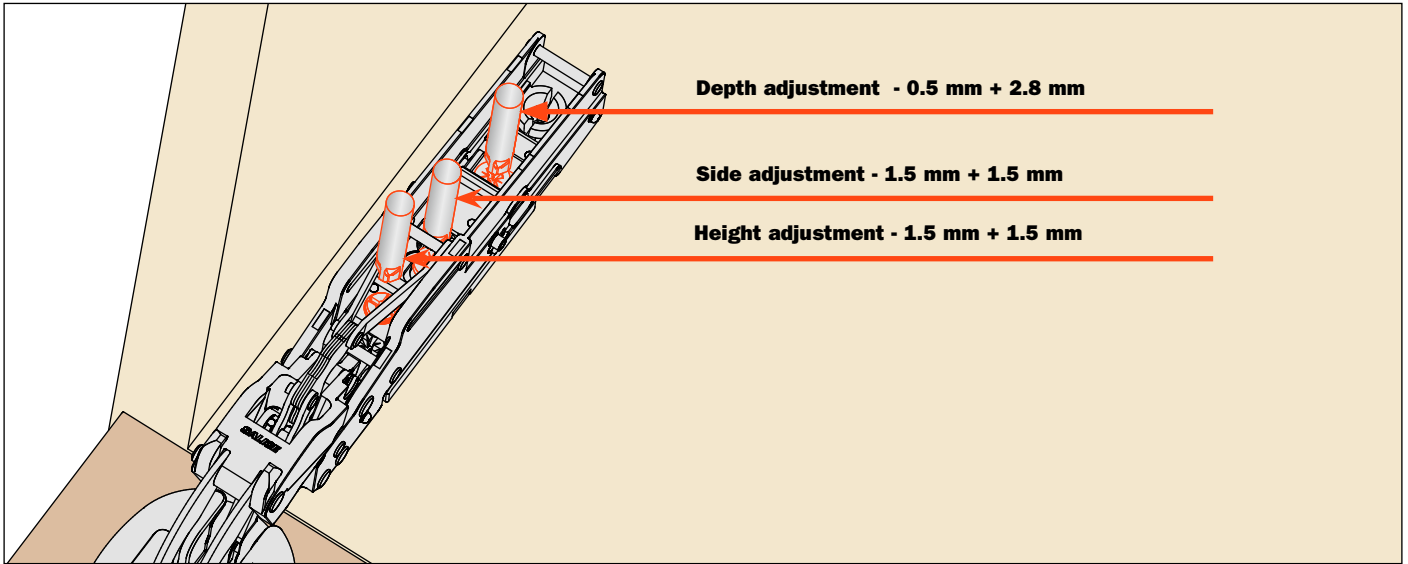


**Attaching the door to the cabinet**

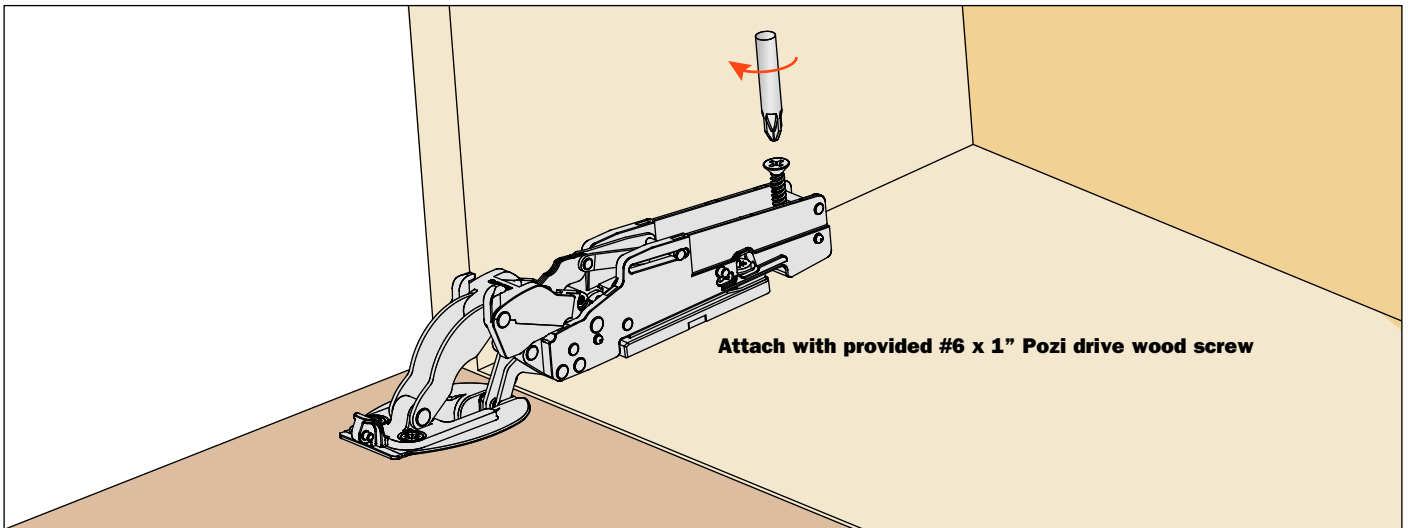
Snap the hinge arm onto the mounting plates. This operation is tool free.



## Adjustments

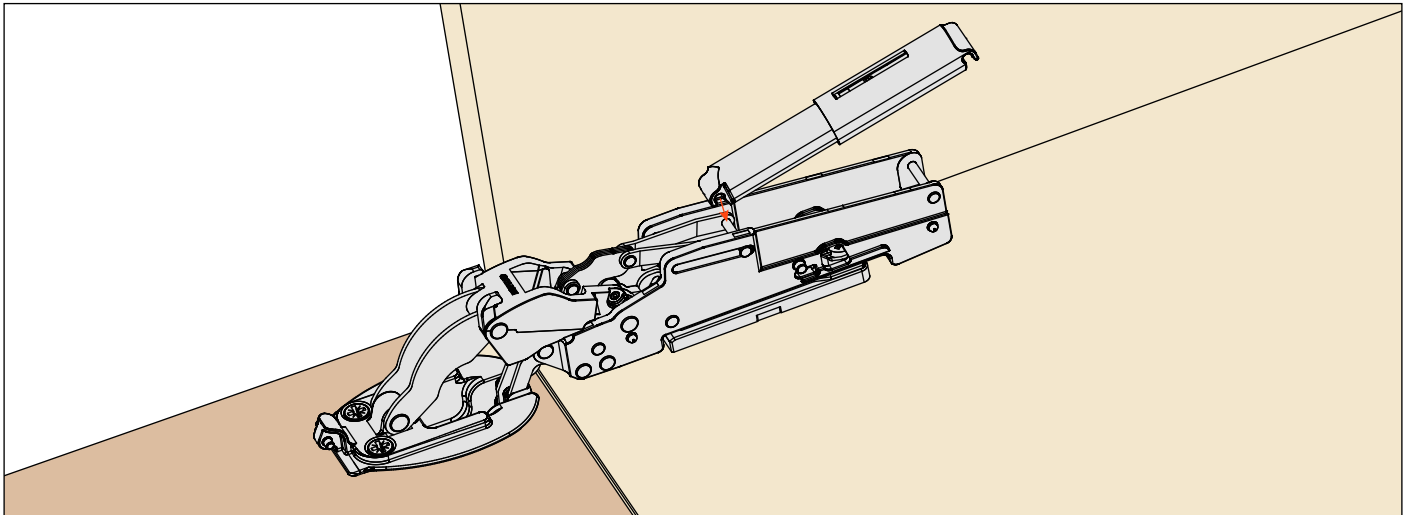


## Attach the security wood screw

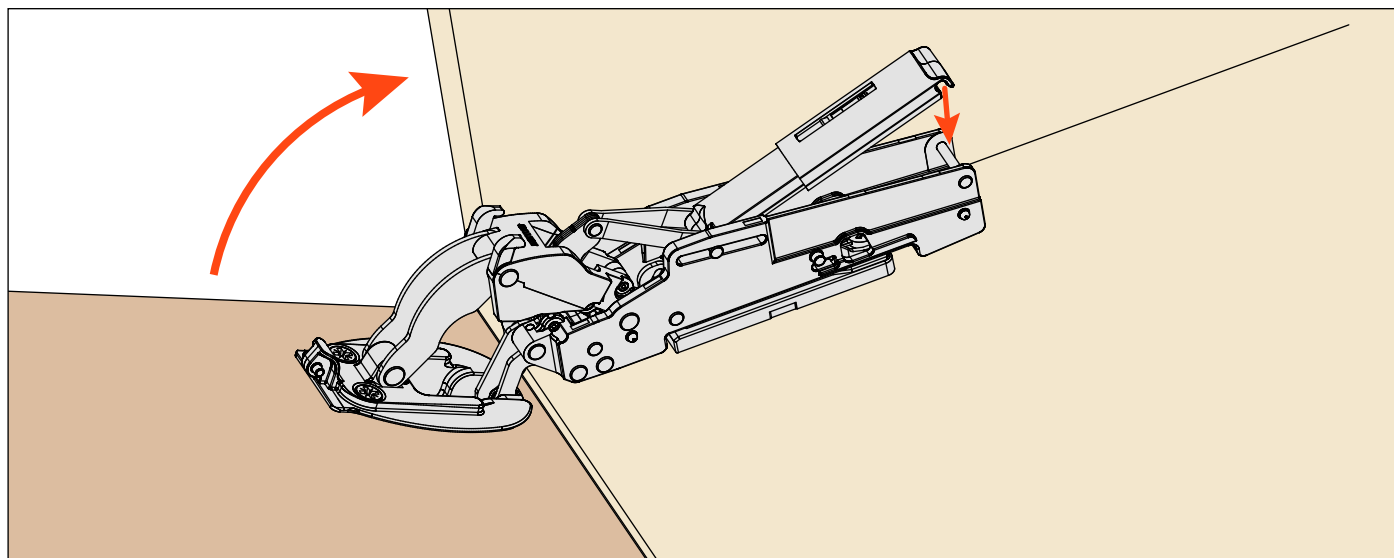


## Installing the Smove

Snap the narrow end of the Smove into position. This operation is tool-free.

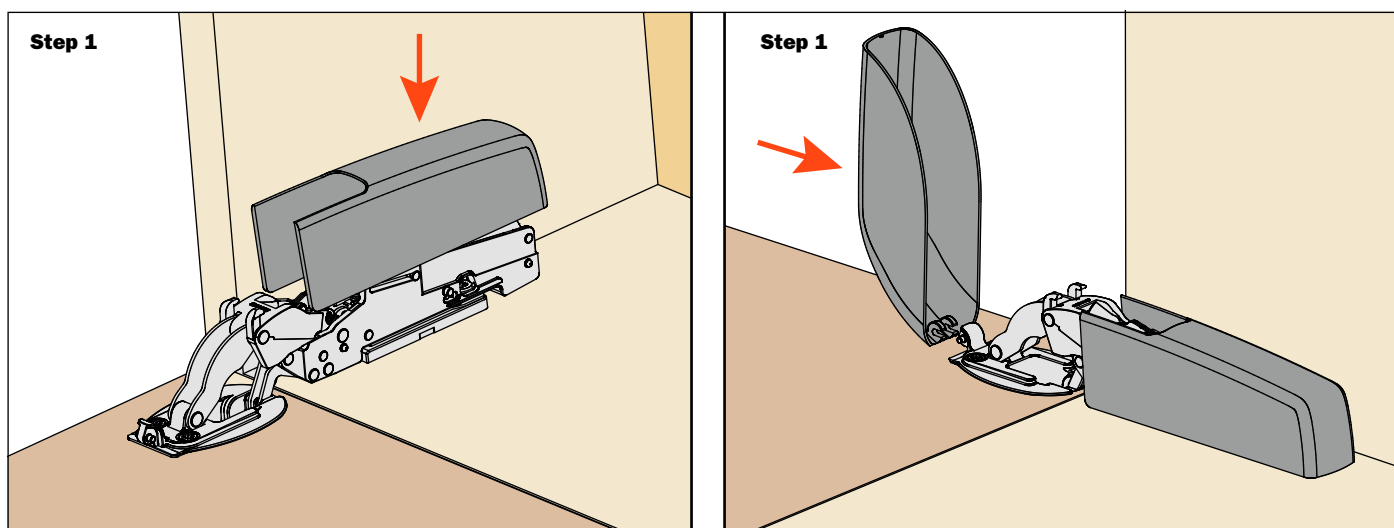


Lift the door slightly and snap the other end of the Smove into position. This operation is tool free.

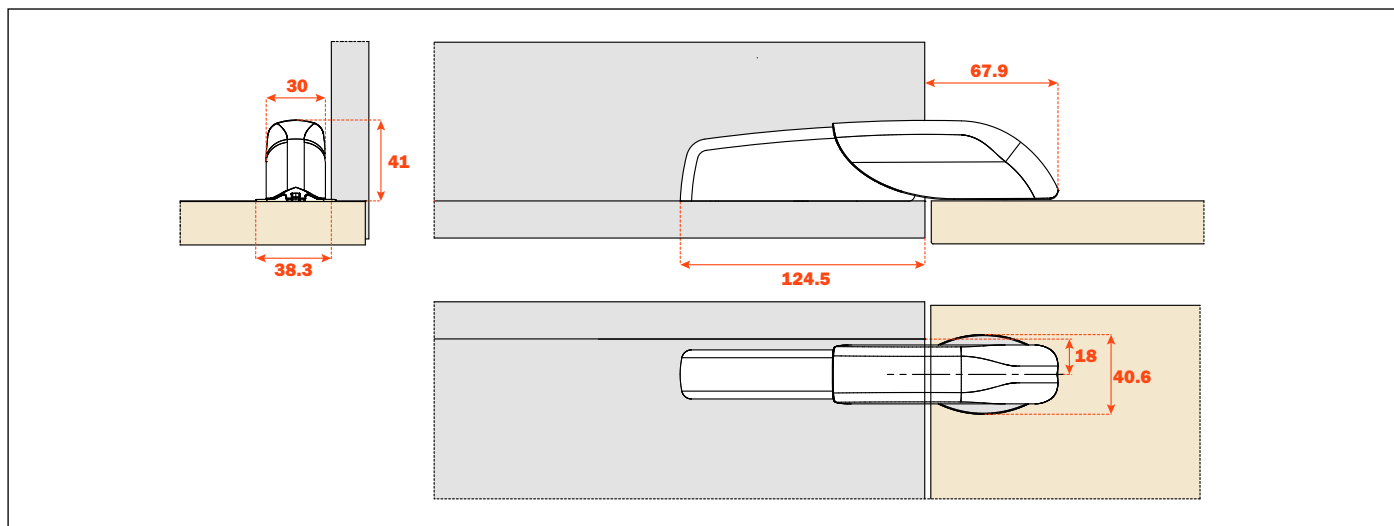


## Installing the cover

First install the cover to the hinge arm (step 1), then the cover to the cup (step 2) then rotate downwards.



## Dimensions



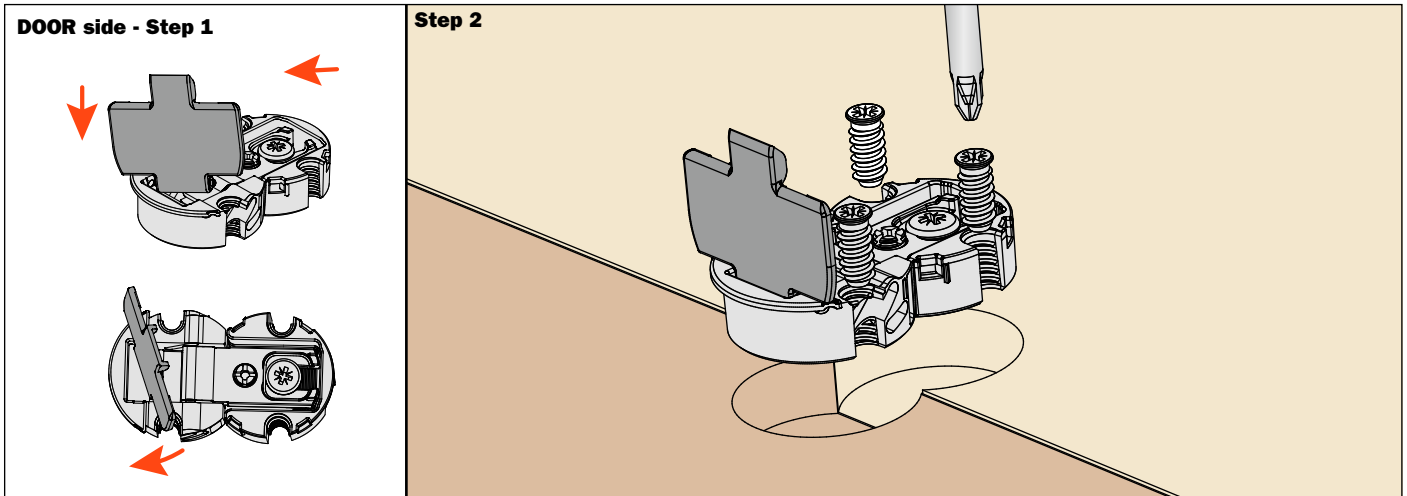


## Assembly instructions for the center hinge

### Installation of the center hinge

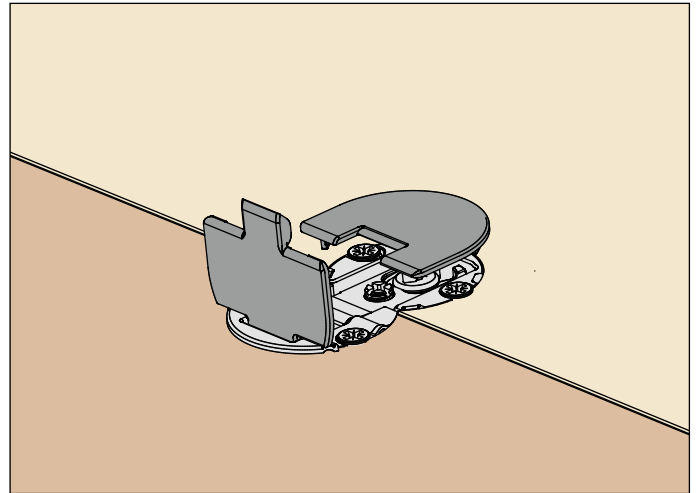
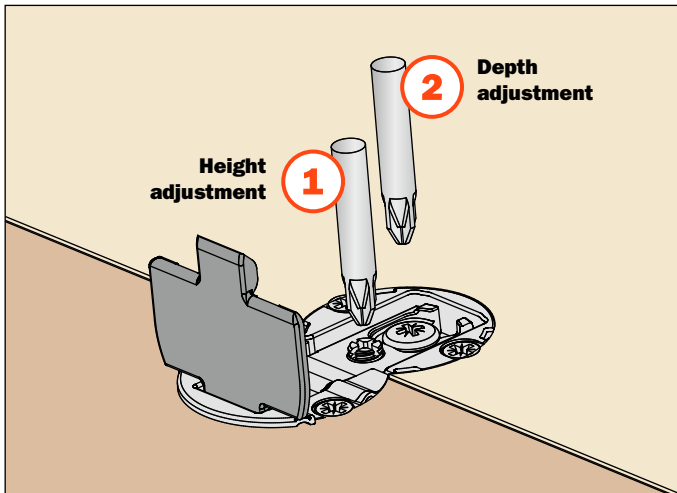
Recommended to install a hinge for cabinets 30"/762 mm or wider.

Install the cover cap onto the hinge according to the drawing (step 1) and then screw the hinge to the cabinet (step 2).

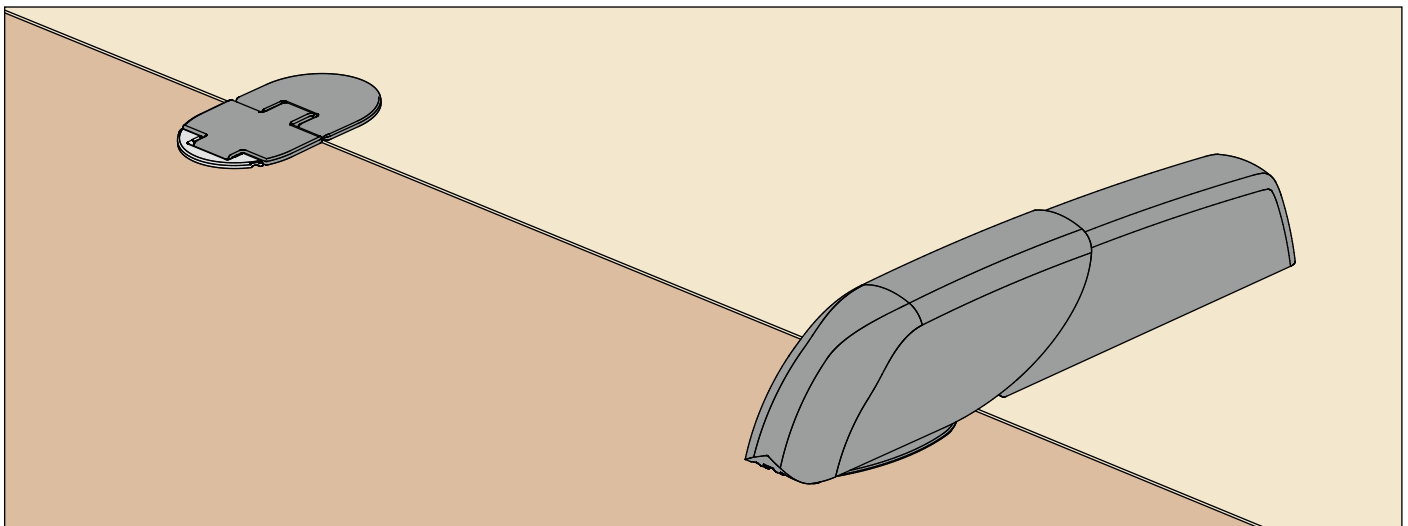


After attaching the hinge, make any adjustments required

Install the cover cap onto the hinge on the cabinet side

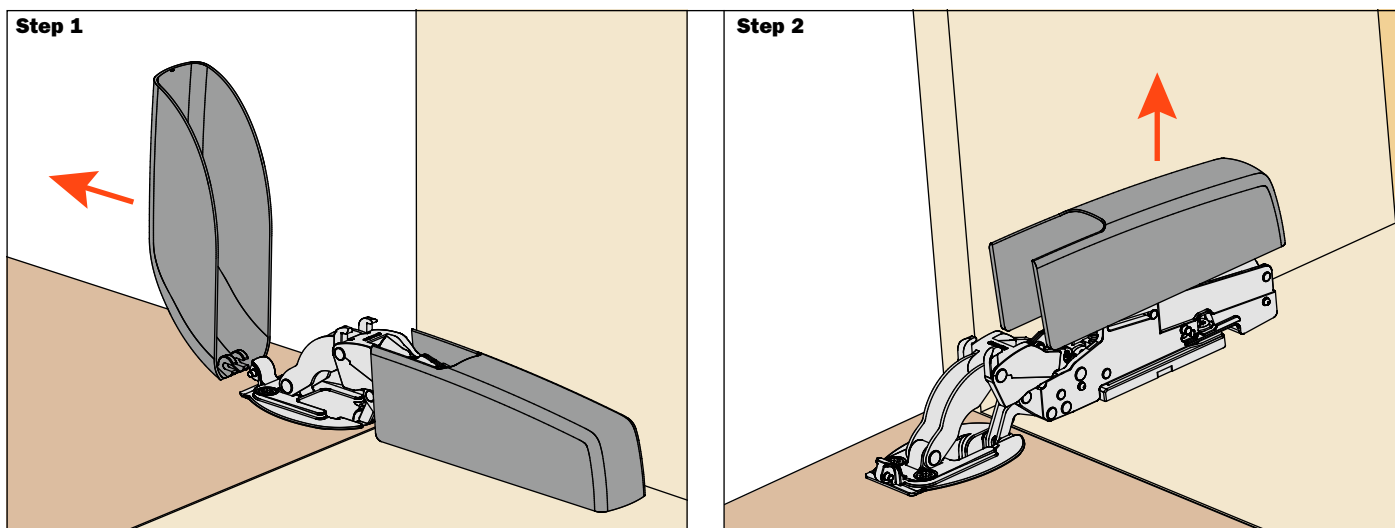


Overall view of the mounted system



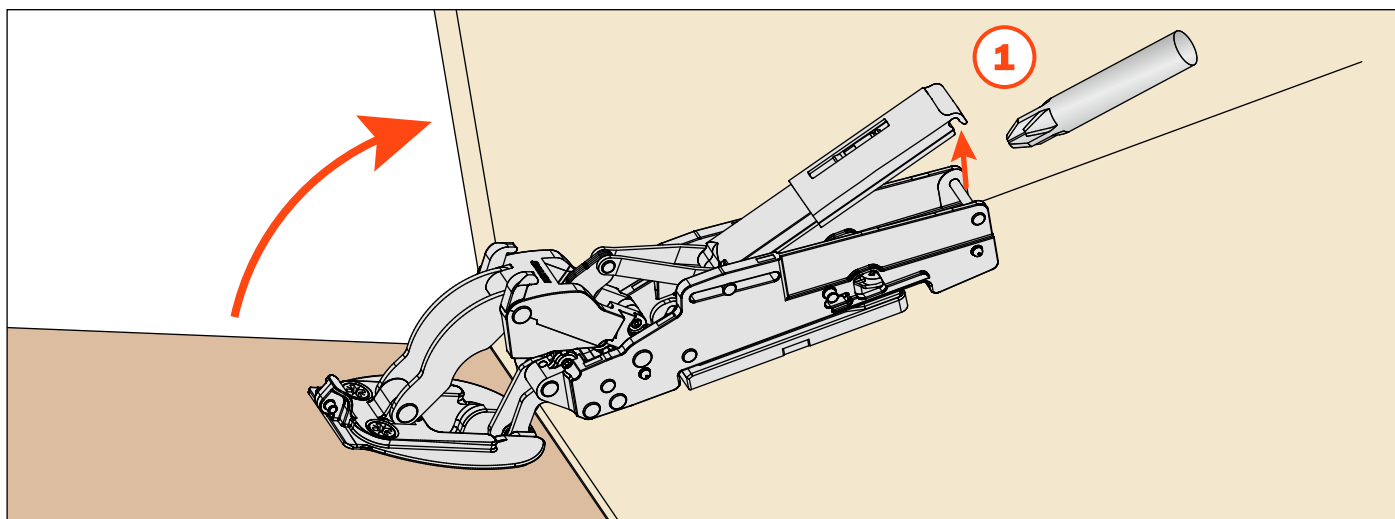
## Removal of the cover

First remove the cover from the hinge cup (step 1), then the cover from the arm (step 2).

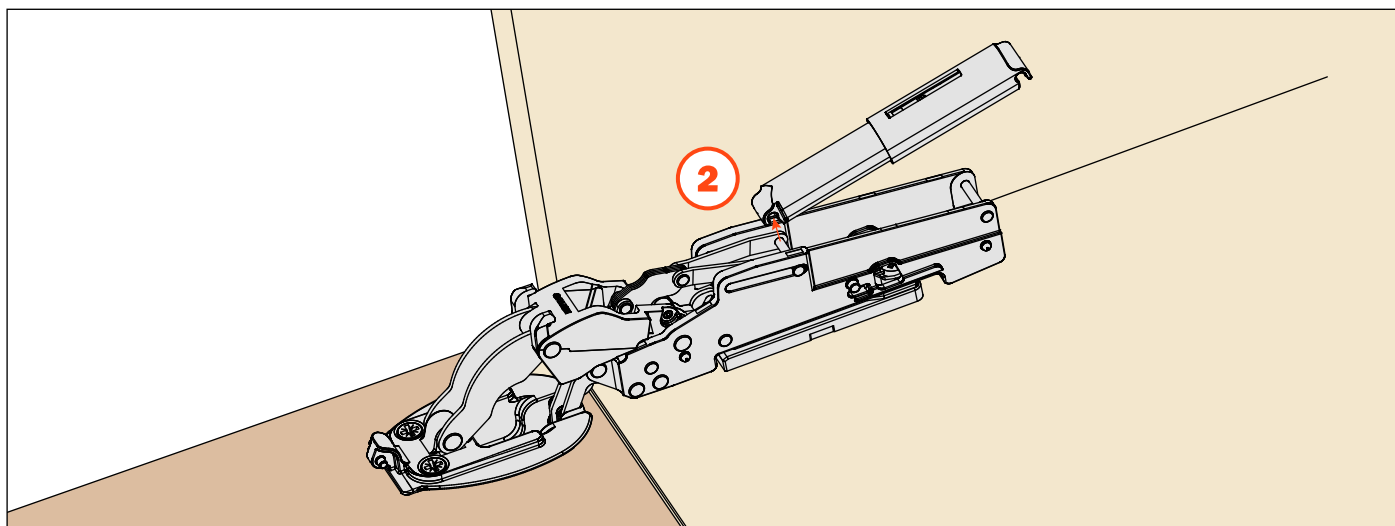


## Removing the Smove from the hinge arm

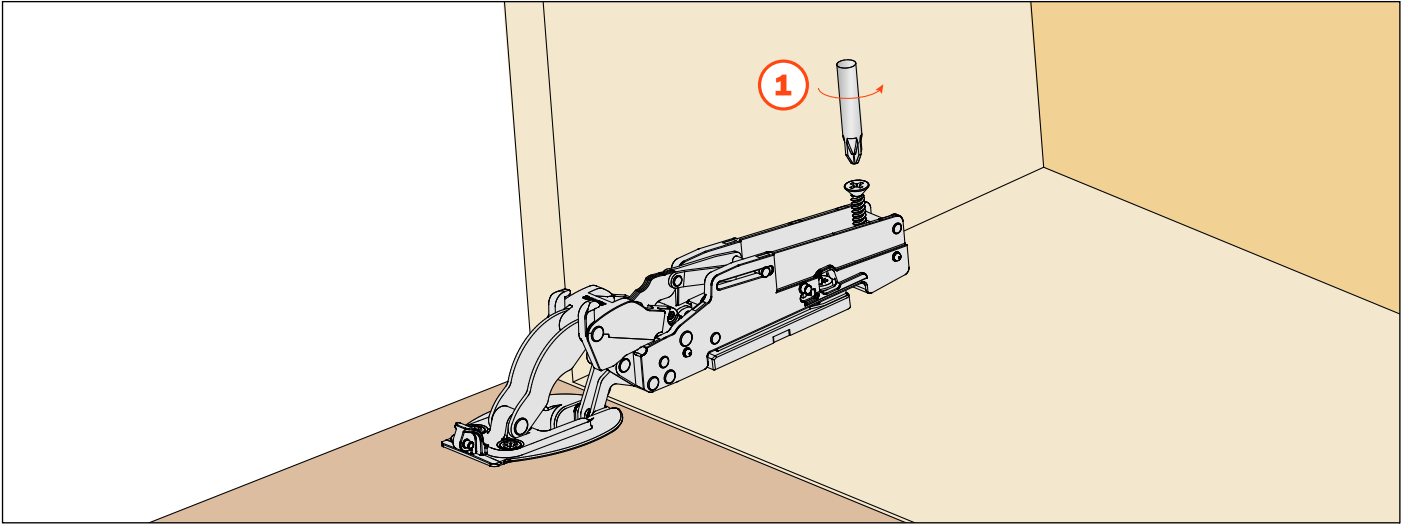
Lift the door slightly and un-snap the back of the Smove using a screwdriver.



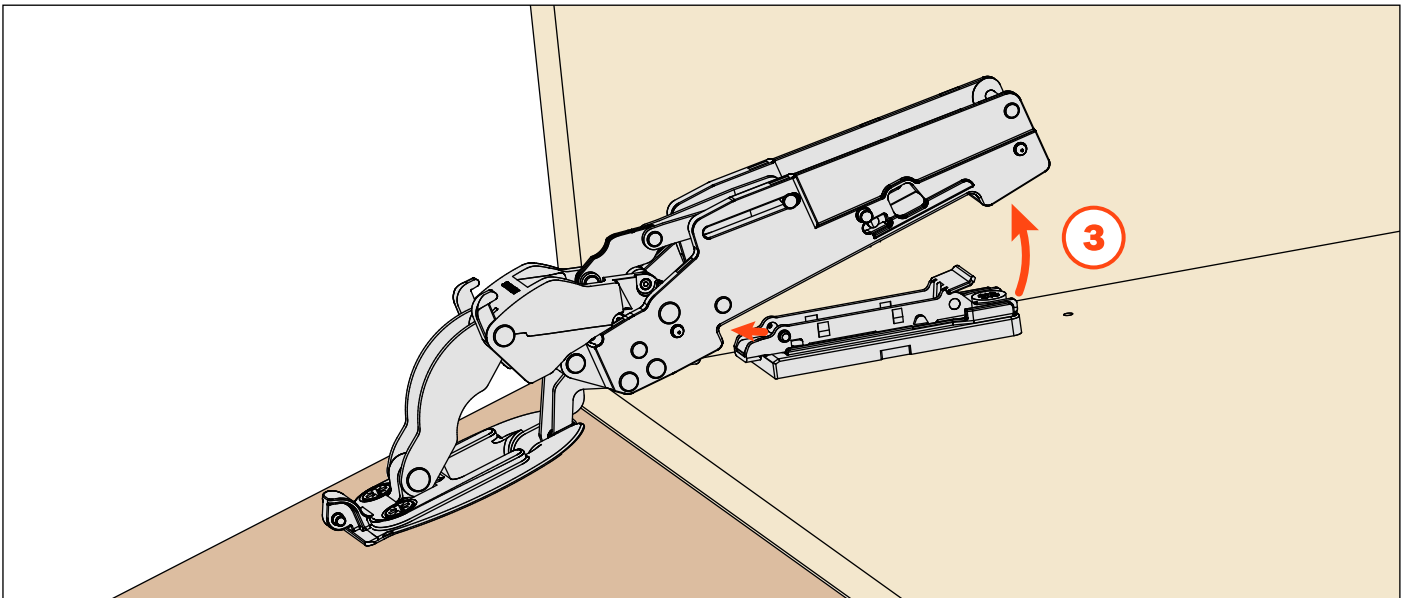
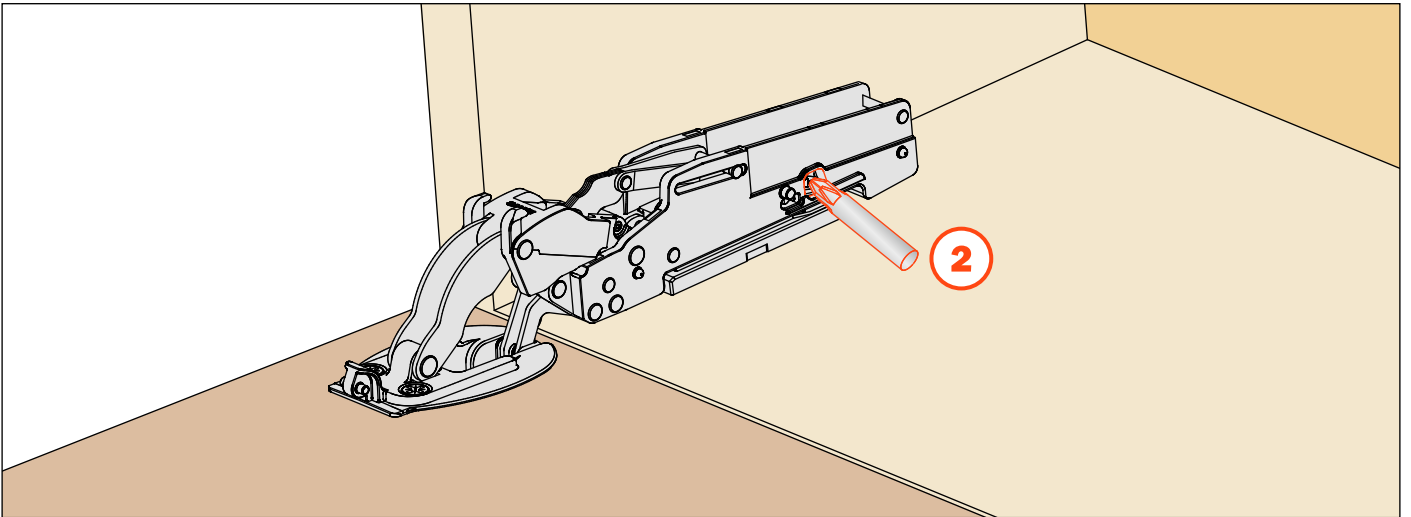
Un-snap the other end of the Smove.



**Remove the security wood screw**

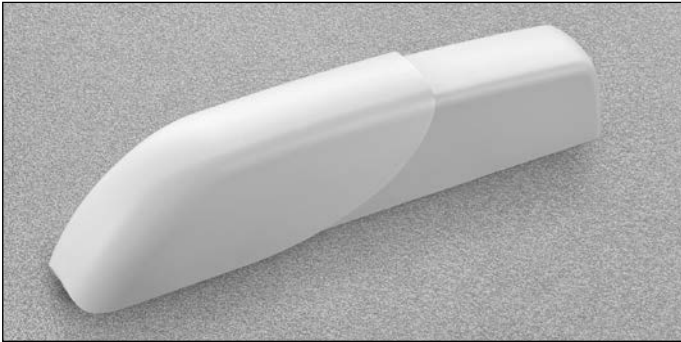


**Un-snap the hinge from the mounting plate with a screwdriver**



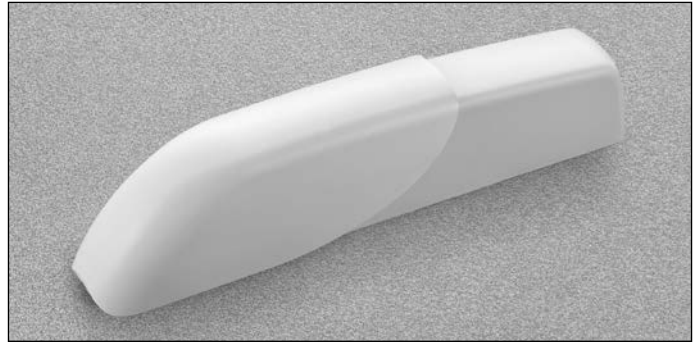
**SRXB78A1XXXX\_**

White



**SRXB78AQXXXX\_**

Glossy white



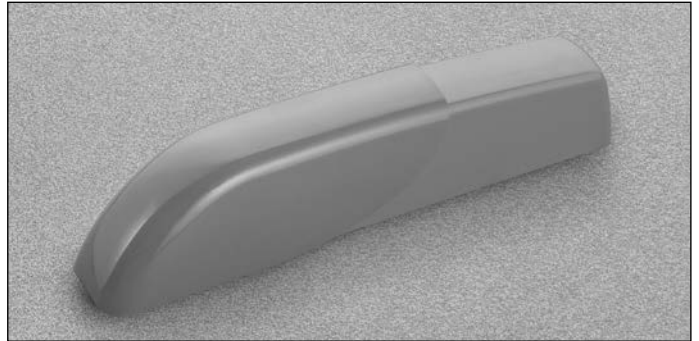
**SRXB78AIXXXX\_**

Stainless steel



**SRXB78AMXXXX\_**

Gray



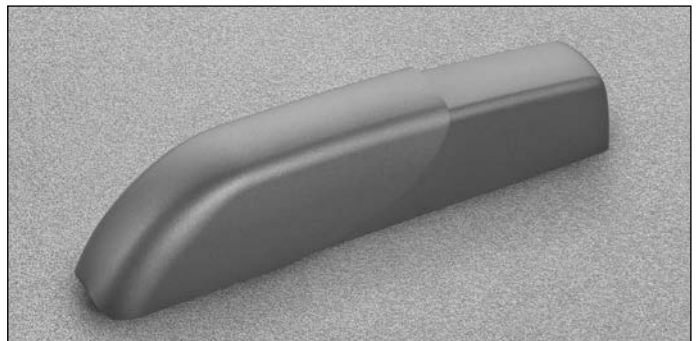
**SRXB78ACXXXX\_**

Champagne



**SRXB78A0XXXX\_**

Satin metal black



**SRXB78ANXXXX\_**

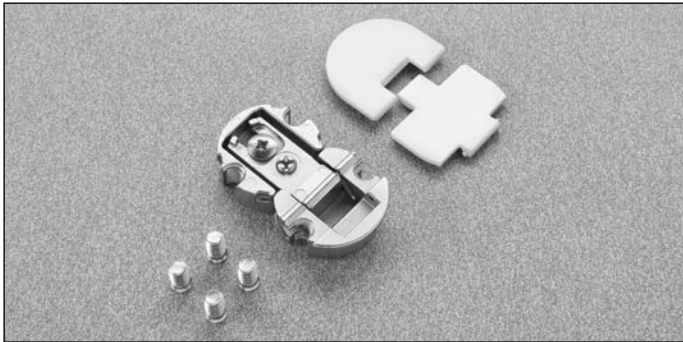
Glossy metal black



## Center hinge cover finishes

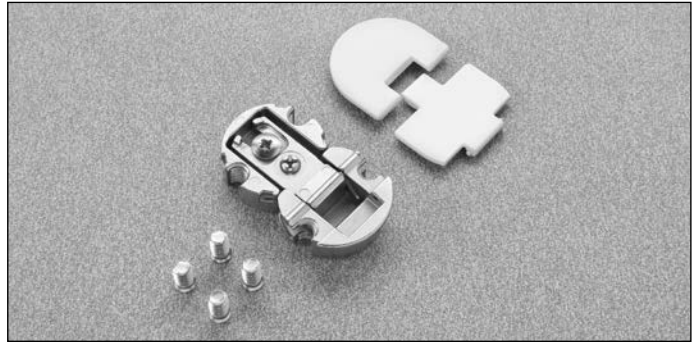
### FRCK59RXXX1

White



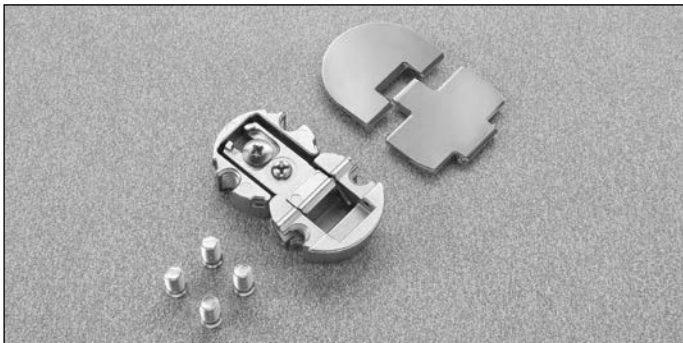
### FRCK59RXXXQ

Glossy white



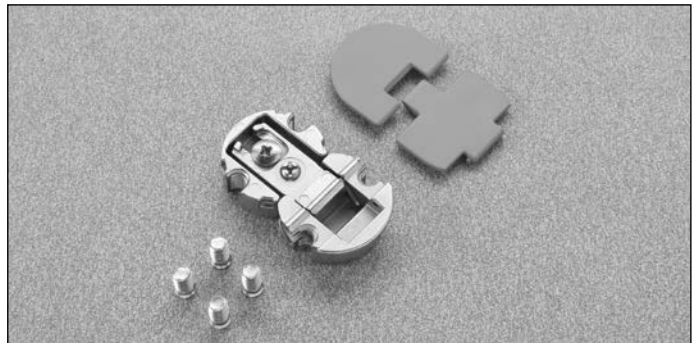
### FRCK59RXXXI

Stainless steel



### FRCK59RXXXM

Gray



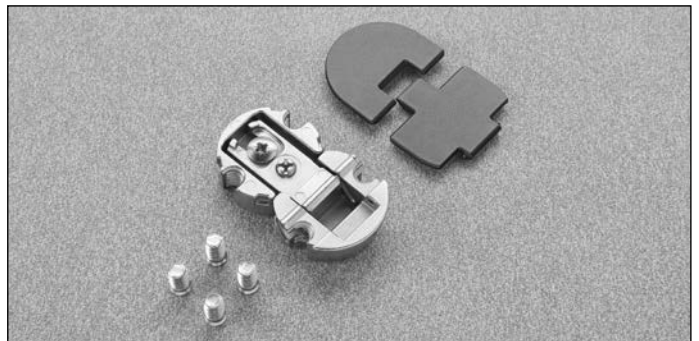
### FRCK59RXXXC

Champagne



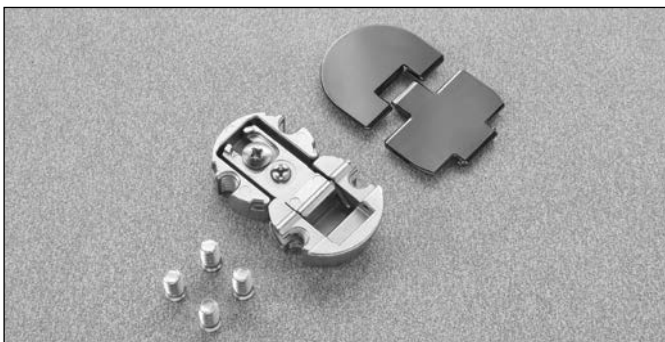
### FRCK59RXXX0



Satin metal black




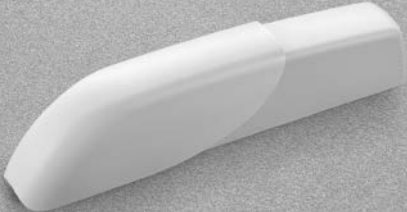
### FRCK59RXXXN



Glossy metal black

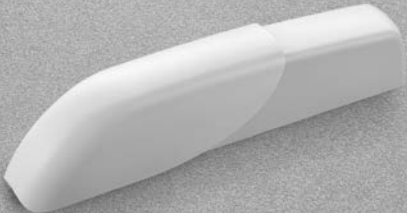



<b>INDUSTRIAL PACKAGING SPECIAL ORDER</b>	<b>PART NUMBER</b>	<b>PACKAGING</b>
 	<p><b>SELF CLOSE</b></p> <p><b>FRBKINXXSN9</b></p>	<p>1 carton contains:</p> <p>18 hinges</p> <p>•</p> <p>18 mounting plates</p> <p>•</p> <p>Attachment screws included ø5 x 13 &amp; #6 x 1"</p>
	<p><b>PUSH OPENING</b></p> <p><b>FRBKINPXS9</b></p>	

<b>SMOVE INDUSTRIAL PACKAGING</b>	<b>PART NUMBER</b>	<b>PACKAGING</b>
	<p><b>DRB_XXYXI</b></p> <p>↑</p> <p><b>SMOVE SOFT OPENING STRENGTH</b></p>	<p>1 carton contains:</p> <p>18 pcs.</p>

<b>COVER INDUSTRIAL PACKAGING</b>	<b>PART NUMBER</b>	<b>PACKAGING</b>
	<p><b>SRXB78A_XXXXI</b></p> <p>↑</p> <p><b>COVER FINISH</b></p>	<p>1 carton contains:</p> <p>18 covers</p>

KIT PACKAGING	PART NUMBER	PACKAGING
 	<p align="center"><b>SELF CLOSE</b></p> <p align="center"><b>FRBKFE<del>X</del>_SN9</b></p> <p align="center">↑</p> <hr/> <p align="center"><b>SMOVE SOFT OPENING STRENGTH</b></p>	<p>1 carton contains:</p> <ul style="list-style-type: none"> <li>2 hinges</li> <li>·</li> <li>2 mounting plates</li> <li>·</li> <li>2 Smove</li> <li>·</li> </ul> <p>Attachment screws <math>\varnothing 5 \times 13</math> euro screw &amp; #6 x 1" Pozi drive wood screw.</p>
	<p align="center"><b>PUSH OPENING</b></p> <p align="center"><b>FRBKFE<del>P</del>_SN9</b></p> <p align="center">↑</p> <hr/> <p align="center"><b>SMOVE SOFT OPENING STRENGTH</b></p>	

COVER KIT PACKAGING	PART NUMBER	PACKAGING
	<p align="center"><b>SRXB78A_XXXXF</b></p> <p align="center">↑</p> <hr/> <p align="center"><b>COVER FINISH</b></p>	<p>1 carton contains:</p> <ul style="list-style-type: none"> <li>2 covers</li> </ul>

CENTER HINGE	PART NUMBER	PACKAGING
	<p align="center"><b>FRCK59RXXX_</b></p> <p align="center">↑</p> <hr/> <p align="center"><b>CENTER HINGE COVER FINISH</b></p> <p>Suggested for cabinets 30"/762 mm or wide</p>	<p>1 carton contains:</p> <ul style="list-style-type: none"> <li>1 hinge</li> <li>1 cover cap for door</li> <li>1 cover cap for cabinet</li> <li>·</li> </ul> <p>Attachment screws included <math>\varnothing 5 \times 13</math></p>

# PACTA - Door weight / Height Tables

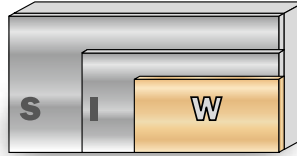
Use the charts to determine the correct Smove based on the door height and the door weight. The maximum door width for two Pacta with a center hinge is 48"/1200mm.

**Note:** Pacta can be used on doors that are larger or heavier by adding additional Pacta and center hinges to the cabinet and door. For all applications requiring more than two Pacta, this must be checked by Salice's technical department. Please consult with your local sales representative or contact technical service.

## DRBWXXYXI

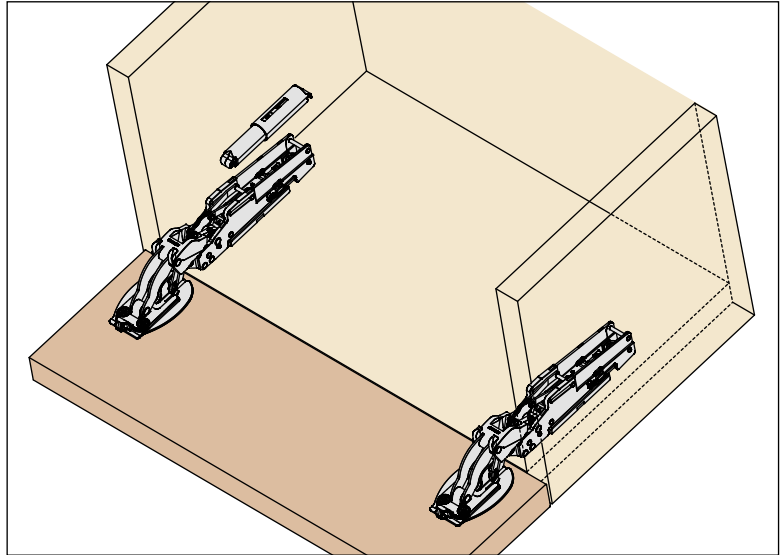
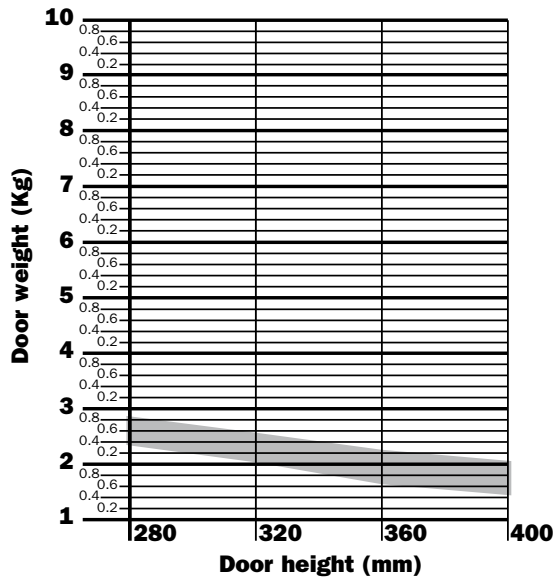


Gray Smove



**For doors made of light materials, one Smove may be sufficient.**

Min door height- 11"  
Max door height- 16"

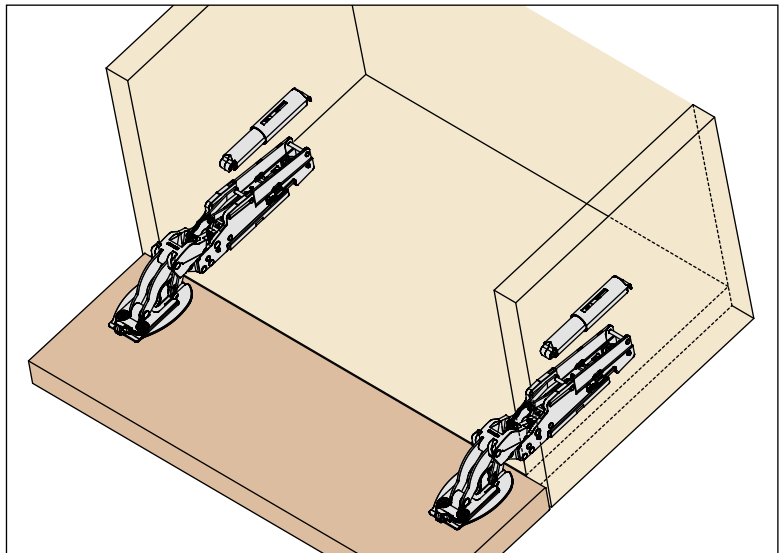
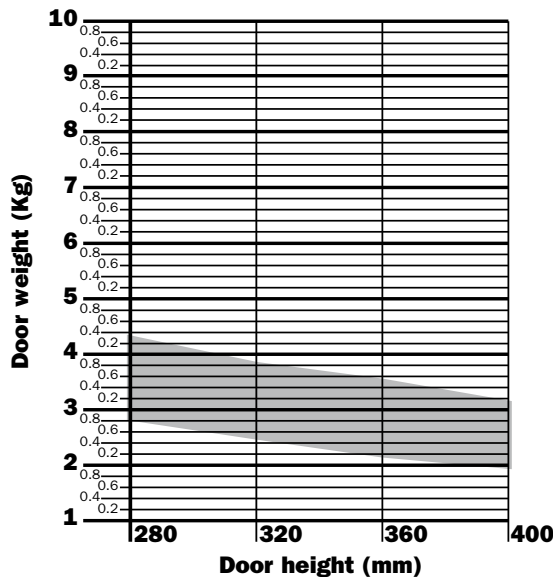


## DRBWXXYXI



Gray Smove

Min door height- 11"  
Max door height- 16"

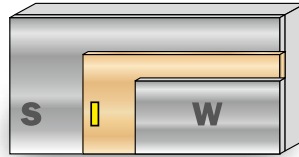




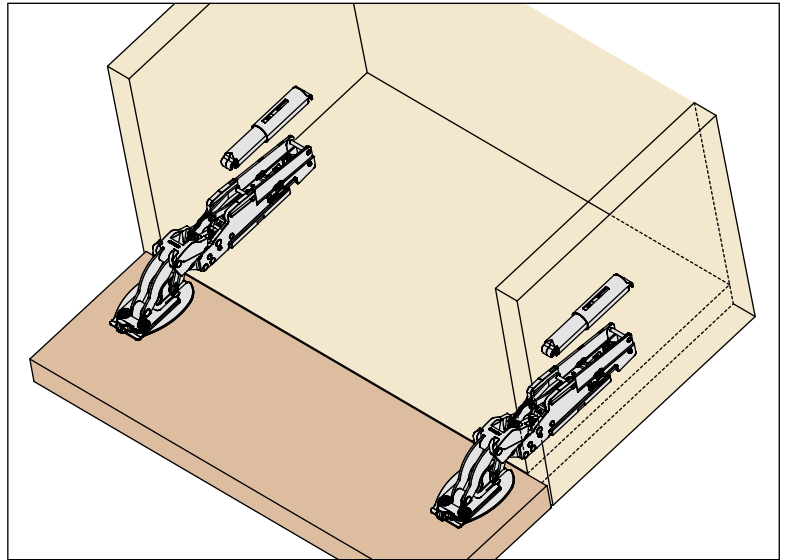
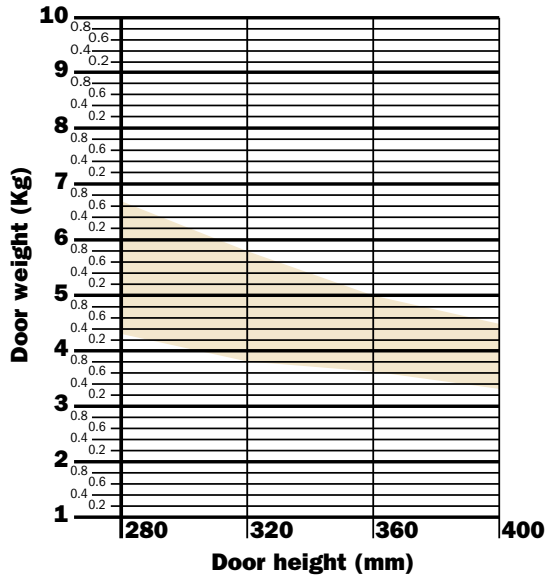
## DRB|XXYXI



Beige Smove



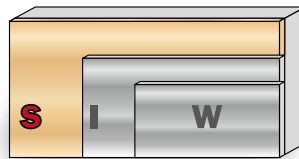
Min door height- 11"  
Max door height- 16"



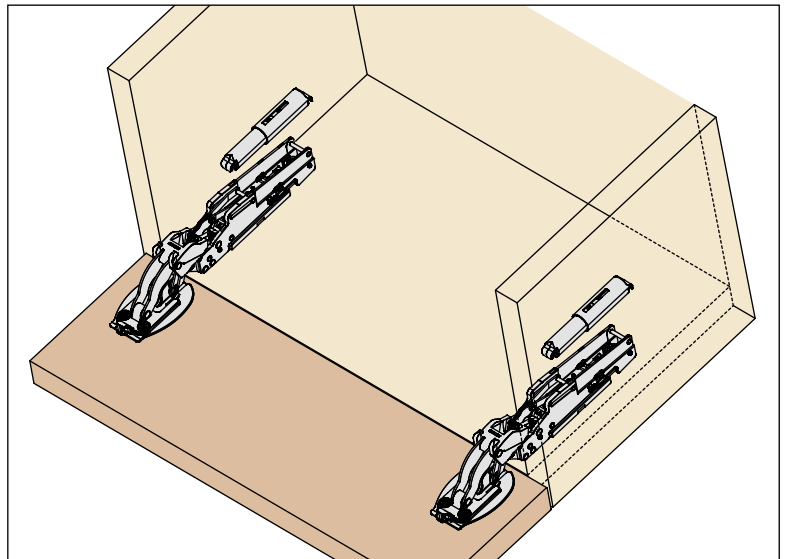
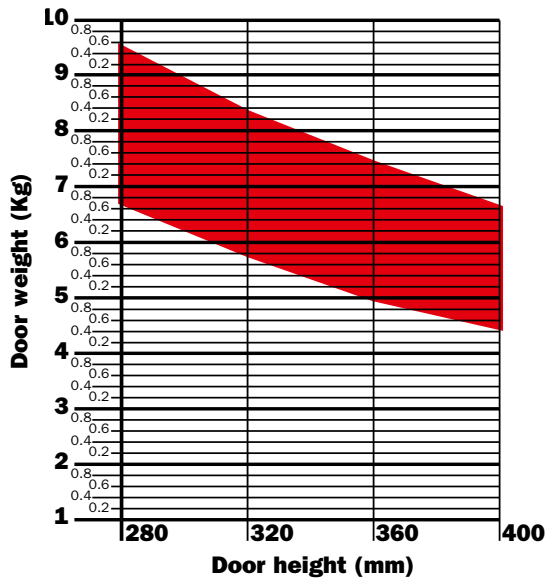
## DRBSXXYXI



Red Smove



Min door height- 11"  
Max door height- 16"





## Magnetic Push



# Magnetic Push - Release device and retaining catches

**DPMSNB** - beige



**DPMSNG** - gray



Release device  
ø 10 mm, 40 mm length.

**Packing**

Boxes 250 pcs.  
Cartons 1.500 pcs.

**DPASNB** - beige



**DPASNG** - gray



Optional magnetic device to increase the holding strength.  
It must always be used together with the DPM.  
The suggested position of the DPM is the point of pressure on the door. The DPA can be positioned at any point along the opening edge of the door.  
ø 10 mm, 40 mm length.

**Packing**

Boxes 250 pcs.  
Cartons 1.500 pcs.

**DP39XXG**



Adjustable magnetic catch inserted into the door.  
ø16.6 mm

**Packing**

Boxes 250 pcs.

**DP28SN9**

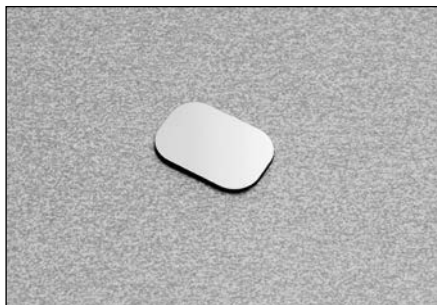


Retaining catch to be inserte with pin.  
ø 11.5 mm.

**Packing**

Boxes 250 pcs.

**DP38XX91**



Retaining catch with adhesive.  
20x14 mm surface.

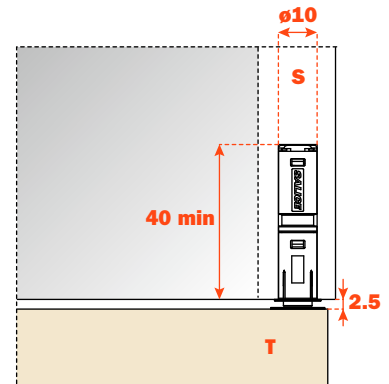
**Packing**

Boxes 250 pcs.

## Release device application

### Release / magnetic device to be inserted

Drill a hole  $\varnothing$  10 mm and min. 40 mm depth in the top, the side or the bottom panel of the cabinet.  
Insert the release device into the hole.

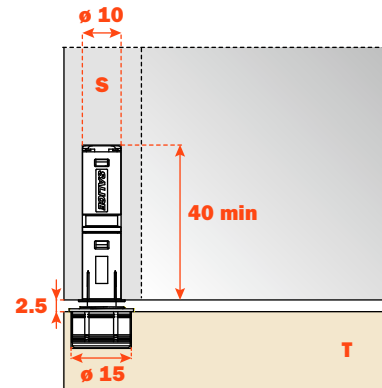


### Adjustable magnetic catch

The adjustable catch DP39 is itself magnetic and together with the magnetism of the release device DPM considerably increase (30%) the holding strength of the door against the cabinet side, thus avoiding accidental openings.

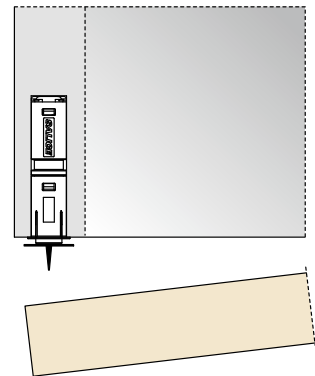
For the installation it is necessary to drill a hole  $\varnothing$ 15 mm and 11 mm depth in the door.

Depth adjustment from -0.5 mm to +2.5 mm.



### Retaining catch to be inserted

Apply the retaining catch to the magnetic release device.  
Close the door.  
The point of the retaining catch will show where to insert it.  
Reopen the door and press the pin to fix in position.



### Retaining catch with adhesive

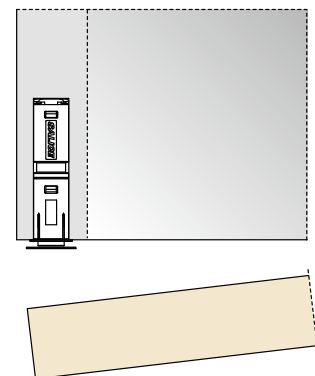
Apply the retaining catch to the magnetic release device. Remove the protective strip from the adhesive. Close the door. In this way the retaining catch is positioned on the door.  
Reopen the door and apply a firm pressure to the retaining catch to ensure a correct installation.

#### ATTENTION:

For a correct application and to ensure optimal endurance, we suggest these guidelines are followed:

- 1 - clean and degrease the door surface where the retaining catch is to be installed;
- 2 - remove the protective strip from the adhesive;
- 3 - place the retaining catch in position, in a place that is at room temperature  $\geq 10^\circ$  ( $50^\circ$  F) and apply a firm pressure for 10-15 seconds.

After few seconds from the installation the retaining catch is suitable for the use.  
After 24h the max. hold is attained.





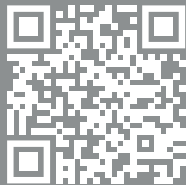


## **SALICE AMERICA INC.**

2123 CROWN CENTRE DRIVE  
CHARLOTTE NC. 28227  
TEL. 1-800-222-9652  
704 8417810  
FAX 704 8417808  
info.salice@saliceamerica.com  
www.saliceamerica.com

## **SALICE CANADA Inc.**

4025 SLADEVIEW CRESCENT  
UNIT # 7 - 9  
MISSISSAUGA, ONTARIO L5L 5Y1  
TEL. 1-800-361-1045  
TEL. 905-820-8787  
FAX 905-820-7226  
www.salicecanada.com  
info.salice@salicecanada.com



### **Digital contents:**

- **Technical pamphlet in Pdf format**
- **Presentation in Pdf format**
- **Video**

We reserve all rights to this catalogue under copyright law. It shall not be permissible to duplicate this catalogue in any form either in whole or in part without our written consent. The technical specifications in this catalogue as photographs and drawings are not binding.