



SHELF & SUPPORT HARDWARE

GLASS CLAMPS
GLASS SHELF SUPPORTS
SOAP HOLDERS
BRACKETS
MIRROR SUPPORTS
GLASS STANDOFFS
SHELF STANDARDS & ACCESSORIES
SHELVING SYSTEMS

GLASS CLAMPS

Picture	Item No.		Page
	9303VA2	STAINLESS 316 STEEL	418
	9344VA2	STAINLESS 316 STEEL	418
	4805		419
	4846		419
	4814		419
	4856		420
	4860		420
	4866		420
	3001		421
	3021		421
	9320VA, 4820VA, 4826VA	STAINLESS 302 STEEL	421
	4849VA	STAINLESS 304 STEEL	421

GLASS SHELF SUPPORTS

Picture	Item No.		Page
	ZL-2201	STAINLESS 316 STEEL	423
	ZL-2202	STAINLESS 316 STEEL	424
	ZL-2203	STAINLESS 316 STEEL	424
	2877ZN5		425
	2878ST8		425
	2879VA1	STAINLESS 302 STEEL	425
	2876		426
	2884		426
	2880		427
	2881		427
	2885		427

SOAP HOLDERS

Picture	Item No.		Page
	DSS-05	STAINLESS 303 STEEL STAINLESS 304 STEEL	428
	DSC-05	STAINLESS 304 STEEL	428
	DSP	STAINLESS 303 STEEL STAINLESS 304 STEEL	429



BRACKET

Picture	Item No.	Load Capacity(lbs)	Page
	SU (ANGLE BRACKET)	9~13	430
	SU-A (ANGLE BRACKET)	22~52	430
	SU-B (ANGLE BRACKET)	22~28	430
	XL-SA01 (ANGLE BRACKET)	26~50	431
	SV (ANGLE BRACKET)	18~31	431
	BT, BTK, BTW	33~181	432
	EB-303/EP (FOLDING BRACKET)	330	433
	BTO (FOLDING BRACKET)	89.9	434
	BOS (FOLDING BRACKET)	72~88	434
	388 (FOLDING BRACKET)	77~176	435
	GTS-300 (SPRING LOADED BRACKET)	6.6	435
	BY (FOLDING BRACKET)	110	436
	BU-200	66	436

MIRROR SUPPORTS

Picture	Item No.	Page	Picture	Item No.	Page
	ZL-3102-40	437		ZL-3101-200	437

GLASS STANDOFFS

Picture	Item No.	Page	Picture	Item No.	Page
	7000VA	438		7051EO	441
	7005VA	438		7083VA	441
	7010VA	439		4872	441
	7015VA	439		7120VA	442
	7060EO	440		7140E1EV1	442
	7061VA	440		7144E1EV1	442
	7062VA	440			

SHELF STANDARDS

INDEX - SHELF & SUPPORT HARDWARE

Stainless Steel Shelf Supports

SPH-1820
(HEAVY DUTY)

STAINLESS
304
STEEL

Page
444-445



SPH-20
99lbs/4pcs



SPH-5
99lbs/4pcs



SPH-15
88lbs/4pcs



SP-18E

SPHL-1820
(HEAVY DUTY)

STAINLESS
304
STEEL

Page
451



SPHL-25
176lbs/4pcs



SPHL-30
264lbs/4pcs

SP-1820
(HEAVY DUTY)

STAINLESS
304
STEEL

Page
446-448



SPB-15R
66lbs/4pcs



SPB-20
44lbs/4pcs



SPB-200, 250
44lbs/per pair



SPF-20
99lbs/4pcs



SPF-20A



SPF-20LC



SPB-35
11lbs/pc

SPN-1820
(NARROW PROFILE)

STAINLESS
430
STEEL

Page
452



SPN-15
132lbs/4pcs



SPN-17EC

SM-1820
(COVERED SLOT)

STAINLESS
304
STEEL

Page
449



SMB-15R
66lbs/4pcs



SPM-20B
79lbs/4pcs

SPW-1820
(COVER-STRIP)

STAINLESS
430
STEEL

Page
453



SPW-20
132lbs/4pcs



SPW-EC20

SPE-1820
(THIN PROFILE)

STAINLESS
430
STEEL

Page
450



SPE-FB20
176lbs/4pcs



SPE-FC20

Aluminium Shelf Supports

AP-DM, AP-DH

ALUMINIUM

Page
454-455



AP-FB20
99lbs/4pcs



AP-FC20



AP-EC20

SHELVING SYSTEM

INDEX -
SHELF & SUPPORT HARDWARE



XL-US02B P.456~459
UNIT SHELF TYPE "B"



XL-US02C P.460~461
UNIT SHELF TYPE "C"



VT-DS P.466
LEVEL ADJUSTABLE SHELVING SYSTEM



VT-DF P.467
LEVEL ADJUSTABLE SHELVING SYSTEM



FLUQS® 250 / 750 P.468~469
WALL SHELVING SYSTEM



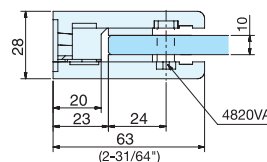
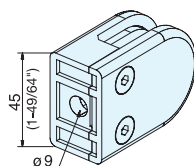
FLUQS® 25 / ONE P.470~471
WALL SHELVING SYSTEM



GLASS CLAMP



9303VA2



- 316 stainless steel clamp.
- For flat surface.
- Optional Parts: 4820VA (Safety Pin)
- See page 422 for load capacity.
- Tempered Glass Recommended.

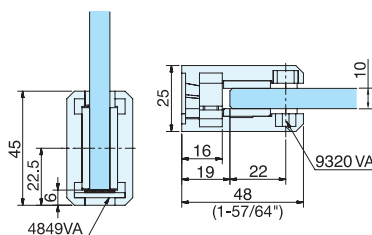
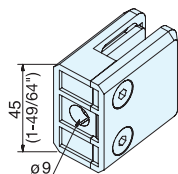
Item No.	Glass Thickness (mm)	Weight (g)	Box (pcs)	Carton (pcs)	Material	Finish
9303VA2	10	324	10	100	316 Stainless Steel	Satin



GLASS CLAMP



9344VA2



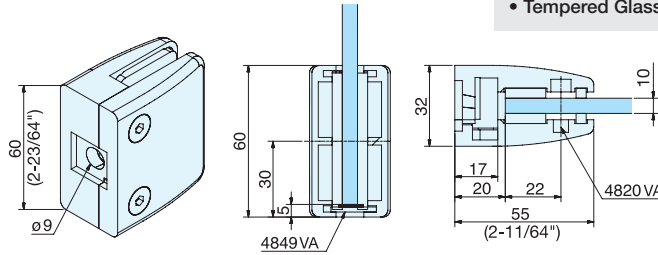
- 316 stainless steel clamp.
- For flat surface.
- Optional Parts: 9320VA (Safety Pin), 4849VA (Safety Plate)
- See page 422 for load capacity.
- Tempered Glass Recommended.

Item No.	Glass Thickness (mm)	Weight (g)	Box (pcs)	Carton (pcs)	Material	Finish
9344VA2	10	229	10	100	316 Stainless Steel	Satin



GLASS CLAMP

4805



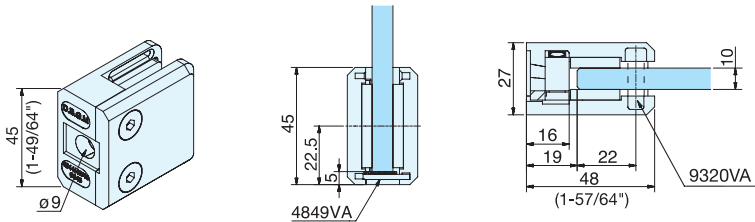
- Glass clamp for flat surface.
- Optional Parts: 4820VA (Safety Pin)
4849VA (Safety Plate)
- See page 422 for load capacity.
- Tempered Glass Recommended.

Item No.	Glass Thickness (mm)	Weight (g)	Box (pcs)	Carton (pcs)	Material	Finish
4805ZN1	10	289	10	100	Zinc Alloy	Matte Chrome
4805ZN5						Chrome



GLASS CLAMP

4846



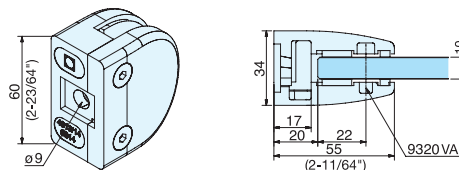
- Glass clamp for flat surface.
- Optional Parts: 9320VA (Safety Pin)
4849VA (Safety Plate)
- See page 422 for load capacity.
- Tempered Glass Recommended.

Item No.	Glass Thickness (mm)	Weight (g)	Box (pcs)	Carton (pcs)	Material	Finish
4846ZN1	10	196	10	100	Zinc Alloy	Matte Chrome
4846ZN5						Chrome



GLASS CLAMP

4814



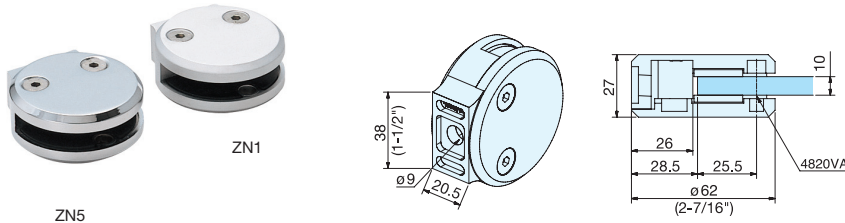
- Glass clamp for flat surface.
- Optional Parts: 9320VA (Safety Pin)
- See page 422 for load capacity.
- Tempered Glass Recommended.

Item No.	Glass Thickness (mm)	Weight (g)	Box (pcs)	Carton (pcs)	Material	Finish
4814ZN1	10	284	10	100	Zinc Alloy	Matte Chrome
4814ZN5						Chrome



GLASS CLAMP

4856



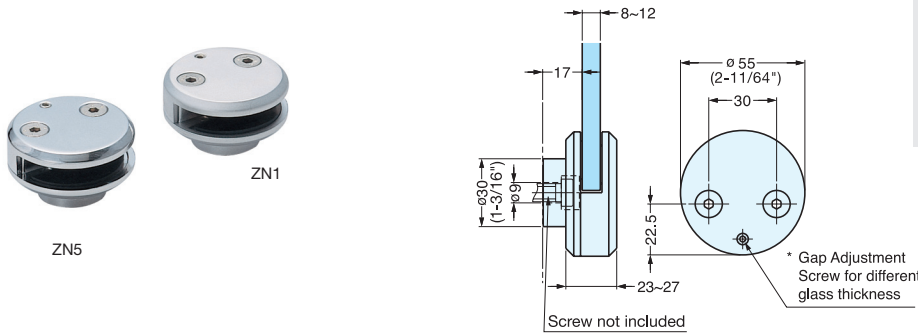
- Glass clamp for flat surface.
- Optional Parts: 4820VA (Safety Pin)
- See page 422 for load capacity.
- Tempered Glass Recommended.

Item No.	Glass Thickness (mm)	Weight (g)	Box (pcs)	Carton (pcs)	Material	Finish
4856ZN1	10	252	10	100	Zinc Alloy	Matte Chrome
4856ZN5						Chrome



GLASS CLAMP

4860



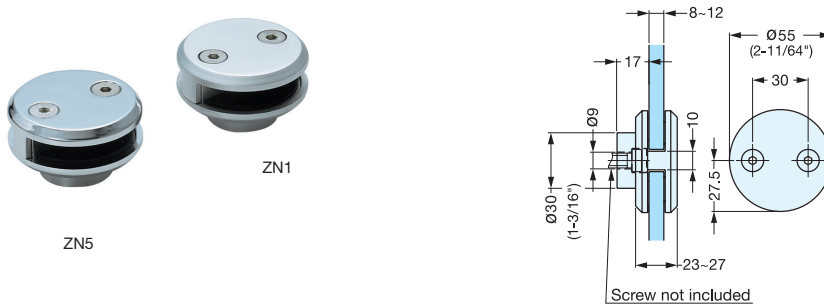
- Front mount type glass clamp.
- Equipped with adjustment screw to accommodate different glass thickness.
- See page 422 for load capacity.
- Tempered Glass Recommended.

Item No.	Glass Thickness (mm)	Weight (g)	Box (pcs)	Carton (pcs)	Material	Finish
4860ZN1	8-12	24	10	100	Zinc Alloy	Matte Chrome
4860ZN5						Chrome



GLASS CLAMP

4866



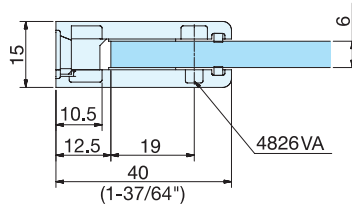
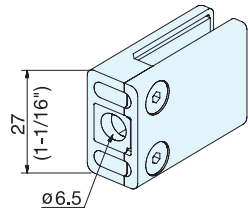
- Front mount type glass clamp.
- For applications where glass panels need to be installed side by side.
- Equipped with adjustment screw to accommodate different glass thickness.
- See page 422 for load capacity.
- Tempered Glass Recommended.

Item No.	Glass Thickness (mm)	Weight (g)	Box (pcs)	Carton (pcs)	Material	Finish
4866ZN1	8-12	221	10	100	Zinc Alloy	Matte Chrome
4866ZN5						Chrome



MINI GLASS CLAMP

3001



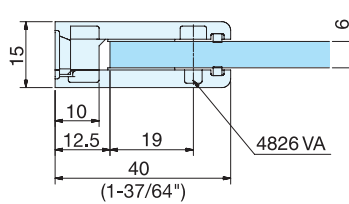
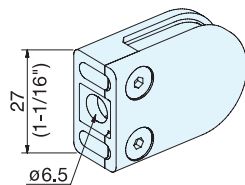
- Small glass clamp.
- Optional Parts: 4826VA (Safety Pin)
- See page 422 for load capacity.
- Tempered Glass Recommended.

Item No.	Glass Thickness (mm)	Weight (g)	Box (pcs)	Carton (pcs)	Material	Finish
3001ZN1-6	6	52	20	200	Zinc Alloy	Matte Chrome
3001ZN5-6						Chrome



MINI GLASS CLAMP

3021



- Small type glass clamp.
- Optional Parts: 4826VA (Safety Pin)
- See page 422 for load capacity.
- Tempered Glass Recommended.

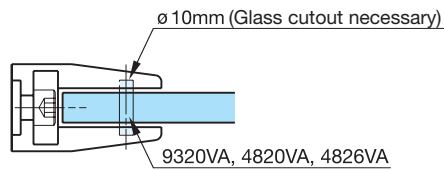
Item No.	Glass Thickness (mm)	Weight (g)	Box (pcs)	Carton (pcs)	Material	Finish
3021ZN1-6	6	48	20	200	Zinc Alloy	Matte Chrome
3021ZN5-6						Chrome



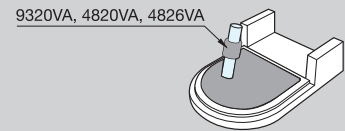
SAFETY PIN



9320VA, 4820VA, 4826VA



- 302 Stainless Steel Safety Pin with rubber ring.
- Use hammer to insert into clamp.



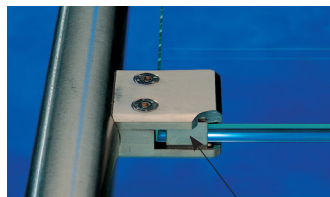
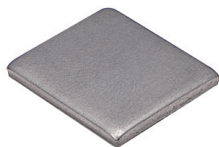
Item No.	Glass Thickness (mm)	Dimensions (mm)	Weight (g)	Box (pcs)	Carton (pcs)	Material	Finish
9320VA	10	Ø6 × 20	5	20	200	302 Stainless Steel	Plain
4820VA		Ø6 × 16					
4826VA		Ø4 × 12					



SAFETY PLATE



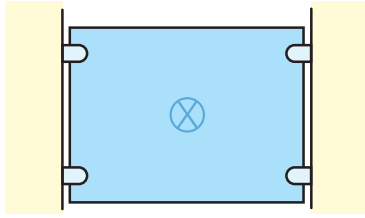
4849VA



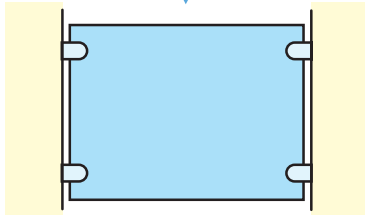
- 304 Stainless Steel Safety Plate (18 × 20 × 2 mm).

Item No.	Glass Thickness (mm)	Weight (g)	Box (pcs)	Carton (pcs)	Material	Finish
4849VA	10	6	20	200	304 Stainless Steel	Plain

GLASS CLAMP LOAD RATING REFERENCE



Test A - Load applied to the center of panel from above (when mounted horizontally).



Test B - Load applied to the center of panel from the edge (when mounted vertically).

- Load capacity test was conducted using 4 clamps on one panel. These figures are the load capacities of glass clamps, not the glass panel. Panels used are stronger than the clamps, bolted on to a strong steel structure with M8 bolts.

Item No.	Test A		Test B	
	N	Kg	N	Kg
3001ZN1-6	-	-	245	25 (55 lbs)
3001ZN5-6				
3021ZN1-6				
3021ZN5-6				
4805ZN1	3000	306 (673 lbs)	1000	102 (224 lbs)
4805ZN5			800	81 (178 lbs)
4814ZN1				
4814ZN5				
4846ZN1			600	61 (134 lbs)
4846ZN5				

Item No.	Test A		Test B	
	N	Kg	N	Kg
4856ZN1	3000	306 (673 lbs)	600	61 (134 lbs)
4856ZN5				
4860ZN1			500	51 (112 lbs)
4860ZN5				
4866ZN1				
4866ZN5				
9303VA2			600	61 (134 lbs)
9344VA2				



4846ZN5 (P.419)

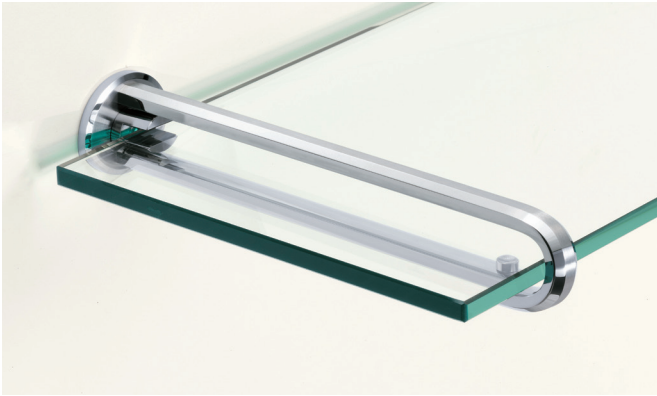
Zwei L Glass Shelf Support

STAINLESS
316
STEEL

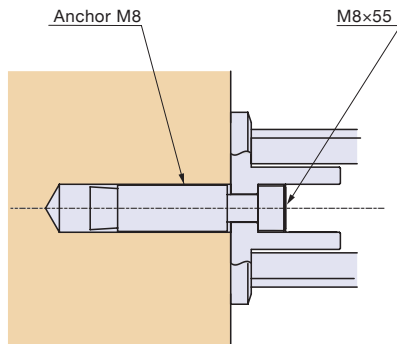
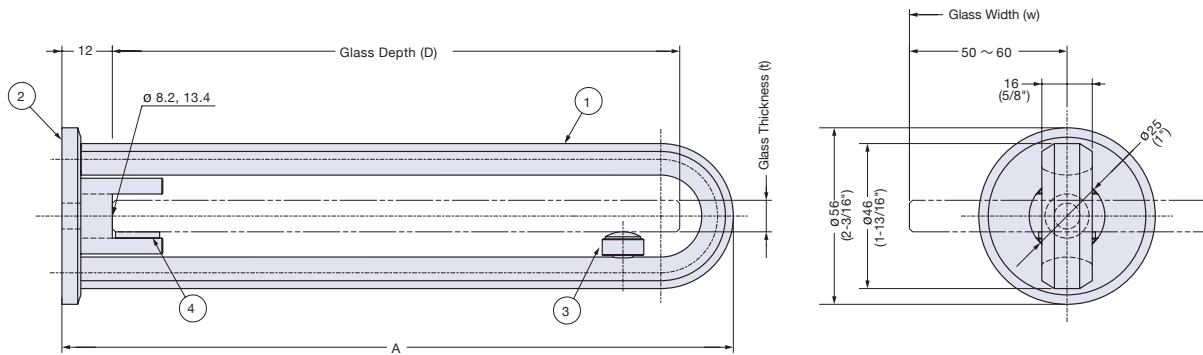
ZL-2201

SHELF & SUPPORT HARDWARE

GLASS SHELF SUPPORTS



- Sold per each. Glass not included.
- Supplied with stainless steel Hex Socket Cap Screw (M8 x 55), concrete anchor (for M8, ø14 mm hole) and 8 mm allen key
- Tempered glass recommended.



Item No.	A	Glass Dimensions (Per 2 Clamps)			Weight (g)	Box (pcs)
		t	D	W		
ZL-2201-120	150 (5-29/32")	8 or 10 (5/16" or 25/64")	120	Max. 640 (25-3/16")	293	2
ZL-2201-180	210 (8-17/64")		180	Max. 800 (31-1/2")	403	
ZL-2201-240	270 (10-5/8")		240	Max. 960 (37-13/16")	438	

No.	Part Name	Material	Finish/Color
①	Shelf Holder	316 Stainless Steel	Zwei L
②	Base Plate		
③	Level Adjuster	316 Stainless Steel/Polyurethane	Zwei L/Clear
④	Bumper	Synthetic Rubber	Black

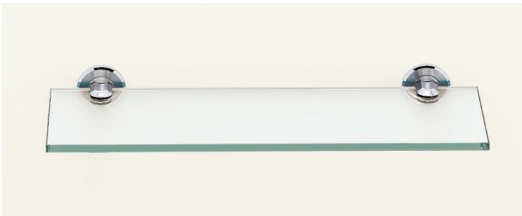
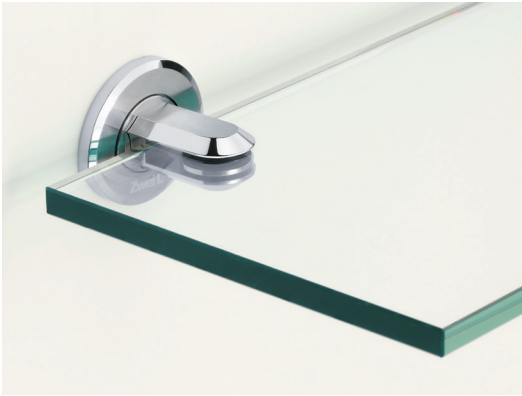
ZweiL Glass Shelf Support



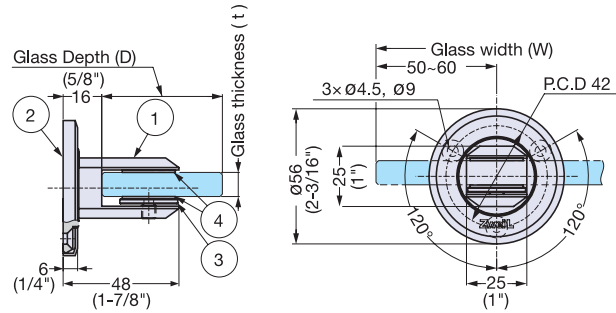
ZL-2202

SHELF & SUPPORT HARDWARE

GLASS SHELF SUPPORTS



- Sold per each. Glass not included.
- Supplied with stainless steel wood screw (4.1 x 32) and concrete anchor (for wood screw 4.1, ø6 mm hole)
- Tempered glass recommended.



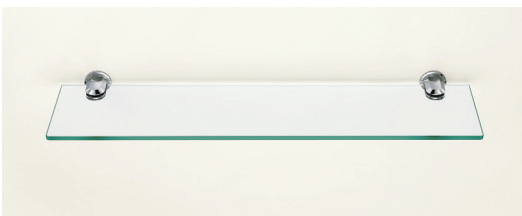
Item No.	Glass Dimensions (Per 2 Clamps)			Weight (g)	Box (pcs)
	t	D	W		
ZL-2202	8 or 10 (5/16" or 25/64")	Max. 160 (6-19/64")	Max. 480 (18-7/8")	119	2

No.	Part Name	Material	Finish/Color
①	Shelf Holder	316 Stainless Steel	Zwei L
②	Base Plate		
③	Bumper Plate	Synthetic Rubber	Black
④	Bumper		

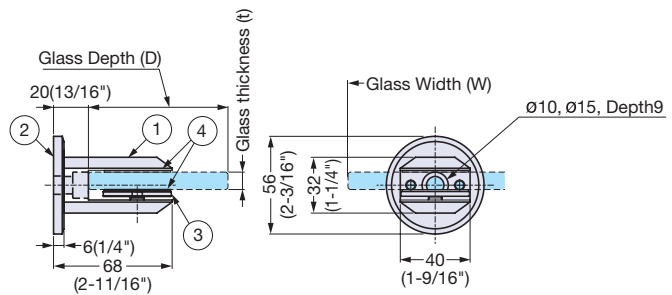
ZweiL Glass Shelf Clamp



ZL-2203



- Sold per each. Glass not included.
- Supplied with stainless steel Hex Socket Cap Screw (M8 x 55), concrete anchor (for M8, ø14 mm hole) and 8 mm allen key
- Tempered glass recommended.



Item No.	Glass Dimensions (Per 2 Clamps)		
	t	D	W
ZL-2203	8 or 10 (5/16" or 25/64")	Max. 240 (9-29/64")	Max. 640 (25-3/16")

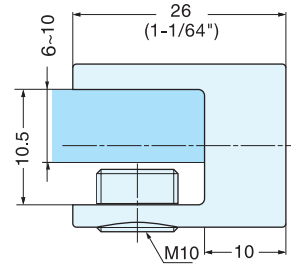
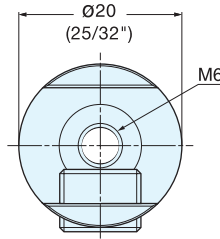
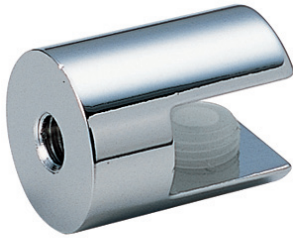
No.	Part Name	Material	Finish/Color
①	Shelf Holder	316 Stainless Steel	Zwei L
②	Base Plate		
③	Level Adjuster	Synthetic Rubber	Black
④	Bumper		



GLASS SHELF SUPPORT



2877ZN5



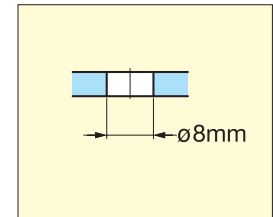
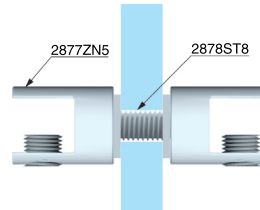
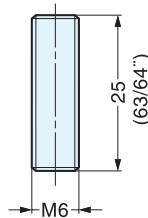
- Please specify mounting screw 2878ST8 or 2879VA1 when ordering sold separately, (see below).
- Tempered Glass Recommended.

Item No.	Glass Thickness (mm)	Weight (g)	Box (pcs)	Carton (pcs)	Material	Finish
2877ZN5	6~10	17	20	200	Zinc Alloy	Chrome



MOUNTING SCREW (FOR BACK-TO-BACK)

2878ST8



Cut Out Dimension

- Screw set for 2877ZN5 (sold separately).

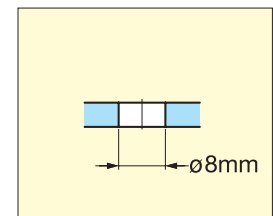
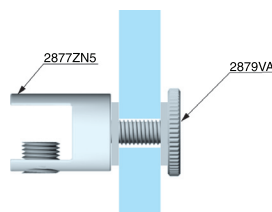
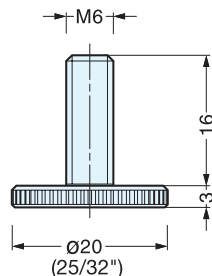
Item No.	Glass Thickness (mm)	Weight (g)	Box (pcs)	Carton (pcs)	Material	Finish
2878ST8	6~10	5	20	200	Steel	Clear Zinc Chromate



MOUNTING SCREW



2879VA1



Cut Out Dimension

- Screw set for 2877ZN5 (sold separately).

Item No.	Glass Thickness (mm)	Weight (g)	Box (pcs)	Carton (pcs)	Material	Finish
2879VA1	6~10	9	20	200	302 Stainless Steel	Polished



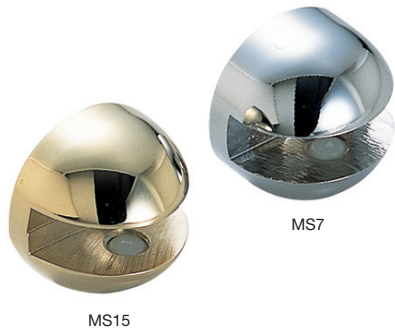
GLASS SHELF SUPPORT



2876

SHELF & SUPPORT HARDWARE

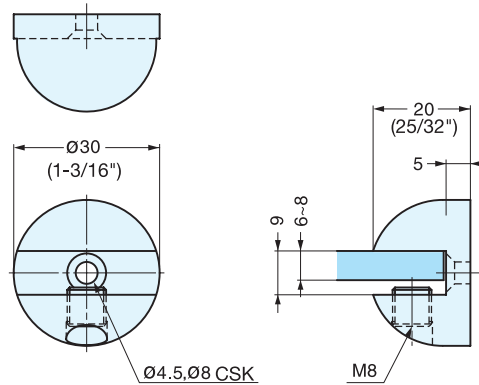
GLASS SHELF SUPPORTS



MS15

MS7

- Load capacity (center of glass) 5 kg (11 lbs)/pair with shelf support distance max. 300 mm, glass depth max. 300 mm.
- Tempered Glass Recommended.



Item No.	Glass Thickness (mm)	Weight (g)	Box (pcs)	Carton (pcs)	Material	Finish
2876MS 7	6~8	61	20	200	Brass	Chrome (MS7)
2876MS15						Polished Brass (MS15)

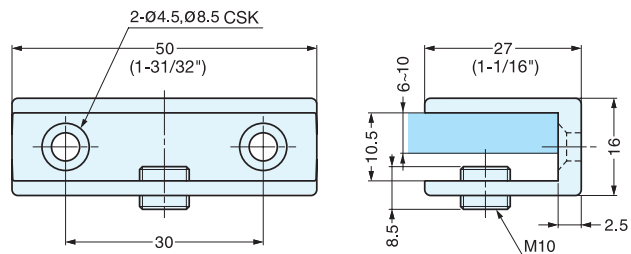
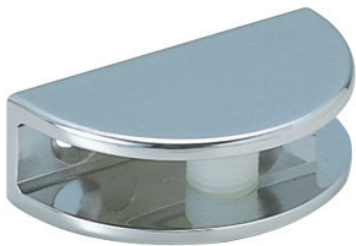


GLASS SHELF SUPPORT



2884

- Load capacity (center of glass) 5 kg (11 lbs)/pair with shelf support distance max. 300 mm, glass depth max. 300 mm.
- Tempered Glass Recommended.



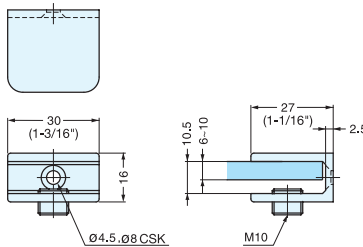
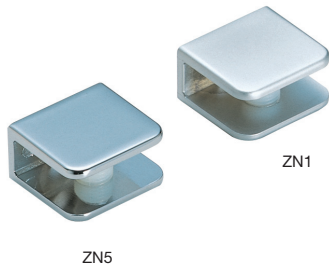
Item No.	Glass Thickness (mm)	Weight (g)	Box (pcs)	Carton (pcs)	Material	Finish
2884ZN5	6~10	49	20	200	Zinc Alloy	Chrome (ZN5)
2884VA2					304 Stainless Steel	Satin (VA2)



GLASS SHELF SUPPORT



2880



- Load capacity (center of glass) 5 kg (11 lbs)/pair with shelf support distance max. 300 mm, glass depth max. 300 mm.
- Tempered Glass Recommended.

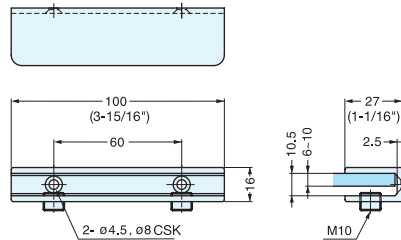
Item No.	Glass Thickness (mm)	Weight (g)	Box (pcs)	Carton (pcs)	Material	Finish
2880ZN1	6-10	34	20	200	Zinc Alloy	Matte Chrome (ZN1)
2880ZN5						Chrome (ZN5)
2880VA2						Satin (VA2)



GLASS SHELF SUPPORT



2881



- Load capacity (center of glass) 20 kg (44 lbs)/pair with shelf support distance max. 500 mm, glass depth max. 300 mm.
- Tempered Glass Recommended.

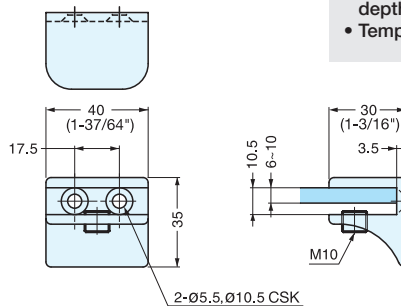
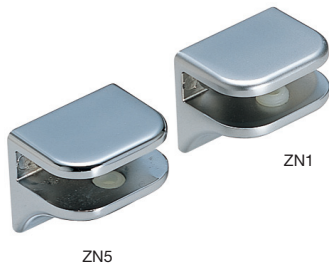
Item No.	Glass Thickness (mm)	Weight (g)	Box (pcs)	Carton (pcs)	Material	Finish
2881ZN1	6-10	118	20	200	Zinc Alloy	Matte Chrome (ZN1)
2881ZN5						Chrome (ZN5)



GLASS SHELF SUPPORT



2885



- Load capacity (center of glass) 25 kg (55 lbs)/pair with shelf support distance max. 500 mm, glass depth max. 300 mm.
- Tempered Glass Recommended.

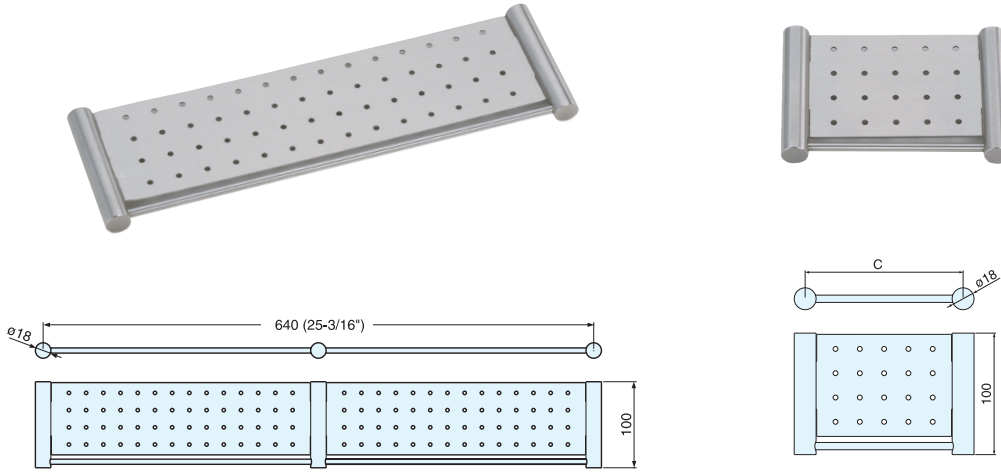
Item No.	Glass Thickness (mm)	Weight (g)	Box (pcs)	Carton (pcs)	Material	Finish
2885ZN1	6-10	83	20	200	Zinc Alloy	Matte Chrome (ZN1)
2885ZN5						Chrome (ZN5)
2885VA2						Satin (VA2)

SOAP HOLDER/SHELF



DSS-05

- Supplied with screws, brackets, plastic expansion anchors and allen key.
- Not designed for drywall installation.



Item No.	C	Weight (g)	Box (pcs)	Carton (pcs)
DSS-05/13	130 (5-1/8")	507	1	10
DSS-05/17	170 (6-11/16")	555		
DSS-05/32	320 (12-19/32")	731		
DSS-05/64	640 (25-3/16")	1270		

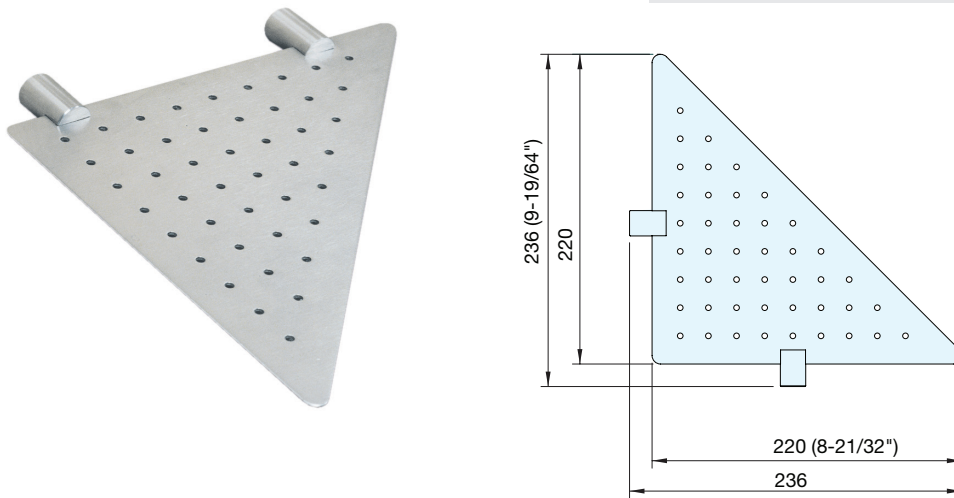
Material	Finish
303/304 Stainless Steel	Satin

SOAP HOLDER/SHELF (CORNER MOUNT)



DSC-05

- 2 posts included-posts can be attached anywhere along shelf edge.
- Supplied with screws, brackets, plastic expansion anchors and allen key.
- Not designed for drywall installation.



Item No.	Weight (g)	Box (pcs)	Carton (pcs)
DSC-05	420	1	10

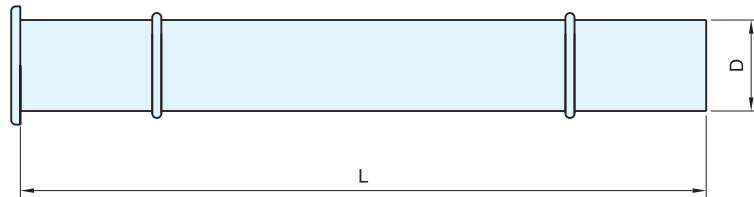
Material	Finish
304 Stainless Steel	Satin

SHELF SUPPORT



DSP

- Supplied with screw and plastic expansion anchor.
- Sold per each.
- Glass not included.
- Not designed for drywall installation.



Shelf is not included.

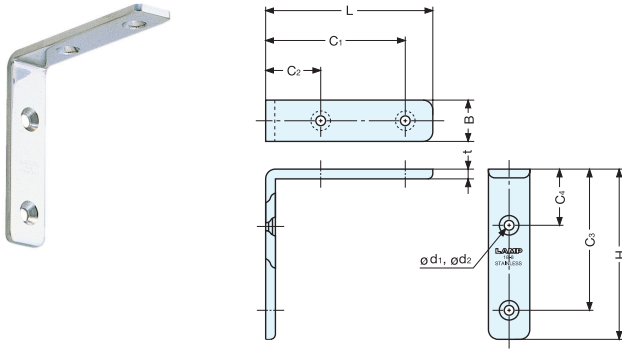
Material	Finish
303/304 Stainless Steel	Satin

Item No.	D	L	Weight (g)	Box (pcs)	Carton (pcs)
DSP-S/12	12 (15/32")	120 (4-45/64")	133	10	100
DSP-S/15	12 (15/32")	150 (5-57/64")	139		
DSP-S/20	12 (15/32")	200 (7-55/64")	184		
DSP-M/15	14 (35/64")	150 (5-57/64")	198		
DSP-M/20	14 (35/64")	200 (7-55/64")	255		
DSP-M/24	14 (35/64")	240 (9-7/16")	306		
DSP-M/30	14 (35/64")	300 (11-51/64")	380		
DSP-L/20	20 (25/32")	200 (7-55/64")	212		
DSP-L/25	20 (25/32")	250 (9-53/64")	238		
DSP-L/30	20 (25/32")	300 (11-51/64")	255		

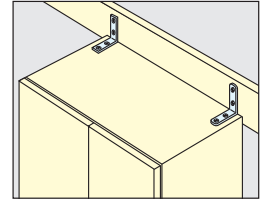
ANGLE BRACKET



SU



- Stainless steel bracket with soft and sleek design.



Installation

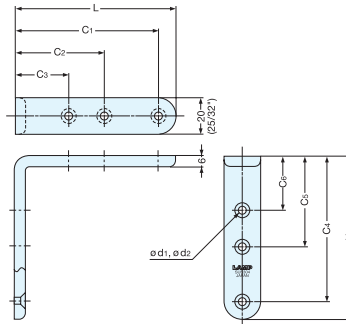
Material	Finish
304 Stainless Steel	Mirror (M), Satin (S)

Item No.	L	H	C ₁	C ₂	C ₃	C ₄	B	t	d ₁	d ₂	Holes	Load Capacity (kg)	Weight (g)	Box (pcs)	Carton (pcs)	Screw
SU-30/M SU-30/S	30 (1-7/32")	30 (1-7/32")	24	11	24	11	12 (15/32")	2.5	3.5	6.5	4	6 (13 lbs)	11	60	960	3.1 × 20
SU-45/M SU-45/S	45 (1-13/16")	45 (1-13/16")	37	17	37	17	13 (33/64")	3								
SU-60/M SU-60/S	60 (2-13/32")	60 (2-13/32")	50	20	50	20	15 (19/32")		4	7.5		4 (9 lbs)	36	40	640	

ANGLE BRACKET



SU-A



- Stainless steel angle bracket for applications where corrosion is an issue.

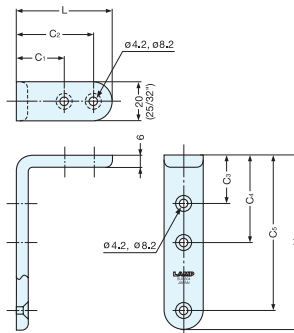
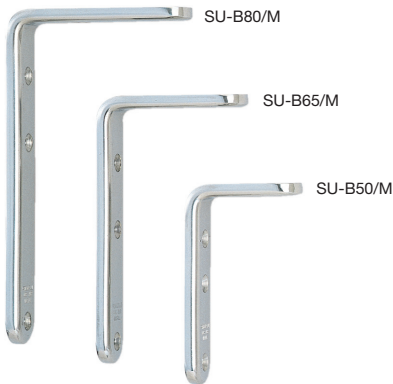
Material	Finish
304 Stainless Steel	Mirror

Item No.	L	H	C ₁	C ₂	C ₃	C ₄	C ₅	C ₆	d ₁	d ₂	Holes	Load Capacity (kg)	Weight (g)	Box (pcs)	Carton (pcs)
SU-A 70/M	70 (2-3/4")	70 (2-3/4")	-	60	30	-	60	30	4.2	8.2	4	24 (52 lbs)	107	10	100
SU-A 90/M	90 (3-35/64")	90 (3-35/64")	80	50		80	50								
SU-A 120/M	120 (4-23/32")	120 (4-23/32")	110	60	110	60	6	13 (28 lbs)	194	8		80			
SU-A 150/M	150 (5-29/32")	150 (5-29/32")	140		140	60		10 (22 lbs)	248	6		60			

ANGLE BRACKET



SU-B



- Stainless steel angle bracket for applications where corrosion is an issue.

Material	Finish
304 Stainless Steel	Mirror

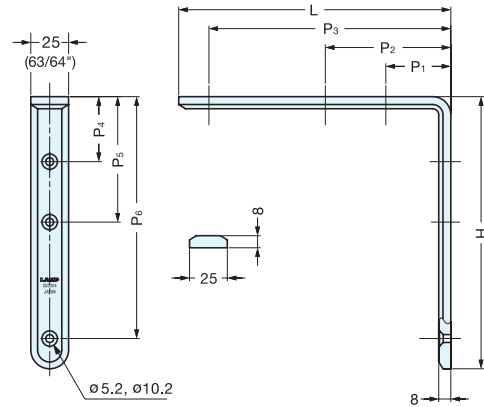
Item No.	L	H	C ₁	C ₂	C ₃	C ₄	C ₅	Holes	Load Capacity (kg)	Weight (g)	Box (pcs)	Carton (pcs)
SU-B50/M	50 (1-31/32")	90 (3-35/64")	25	40	25	45	80	5	13 (28 lbs)	106	10	100
SU-B65/M	65 (2-9/16")	120 (4-23/32")	30	55	30	60	110			145		
SU-B80/M	80 (3-5/32")	150 (5-29/32")		70			140	5	10 (22 lbs)	186	8	80

ANGLE BRACKET



XL-SA01

• Stainless steel bracket with soft and sleek design.



Material	Finish
304 Stainless Steel	Satin(S), Mirror (M)

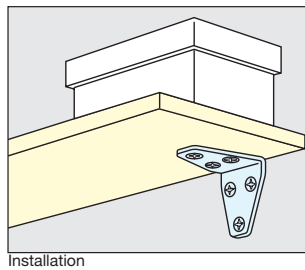
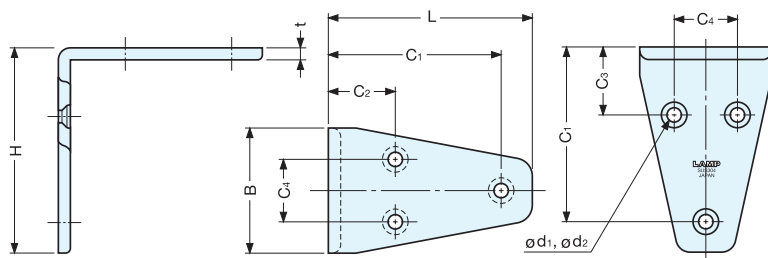
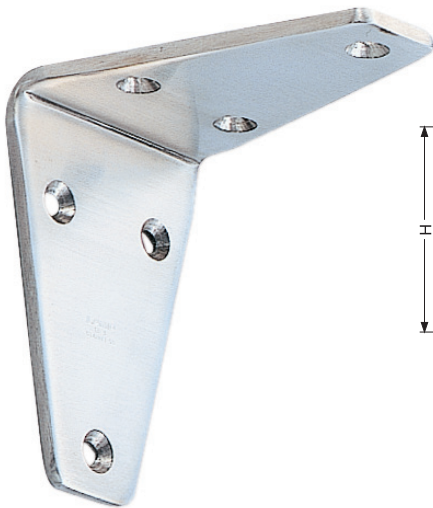
Item No.		L	H	P ₁	P ₂	P ₃	P ₄	P ₅	P ₆	Holes	Load Capacity (kg)	Weight (g)	Box (pcs)	Carton (pcs)
Satin	Mirror													
XL-SA01-120/S	XL-SA01-120/M	120 (4-23/62")	120 (4-23/62")	38	-	100	38	-	100	4	23 (50 lbs)	312	8	40
XL-SA01-150/S	XL-SA01-150/M	150 (5-29/32")	150 (5-29/32")	43	-	130	-	-	130	6	18 (39 lbs)	400	6	30
XL-SA01-180/S	XL-SA01-180/M	180 (7-5/64")	180 (7-5/64")		83	160	43	83	160		14 (30 lbs)	483		
XL-SA01-240/S	XL-SA01-240/M	240 (9-29/64")	240 (9-29/64")			220			220		12 (26 lbs)	660	4	20

ANGLE BRACKET



SV

• Stainless steel angle bracket for applications where corrosion is an issue.



Material	Finish
304 Stainless Steel	Mirror (M), Satin (S)

Item No.	L	H	C ₁	C ₂	C ₃	C ₄	B	t	d ₁	d ₂	Holes	Load Capacity (kg)	Weight (g)	Box (pcs)	Carton (pcs)	Screw
SV-40/M SV-40/S	40 (1-39/64")	40 (1-39/64")	34	17	17	-	25 (63/64")	3	3.3	6.5	4	8 (18 lbs)	29	40	640	3.1 × 20
SV-55/M SV-55/S	55 (2-13/64")	55 (2-13/64")	47	18	18	17	36.5 (1-7/16")	3	3.8	7.5	6		58	20	320	
SV-80/M SV-80/S	80 (3-5/32")	80 (3-5/32")	71	24	24	27	52 (2-3/64")	4	4.3	8.5	6	14 (31 lbs)	162	10	120	3.8 × 20

BRACKET



BT, BTK, BTW

SHELF & SUPPORT HARDWARE BRACKETS

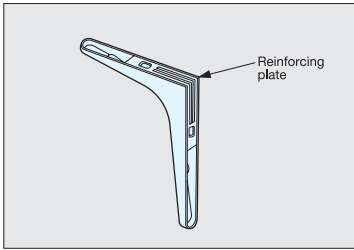
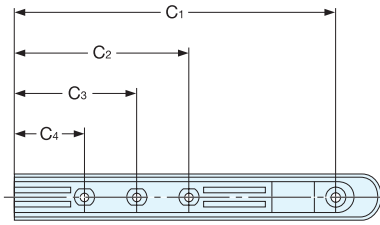
• Stainless steel BT Series (satin finish) or steel BTW and BTK Series (white or black) available.



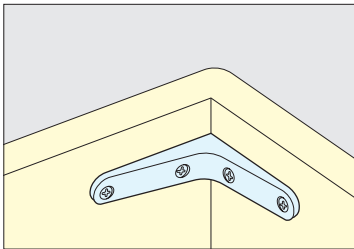
Stainless Steel

White

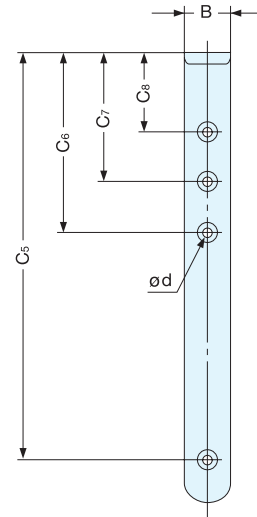
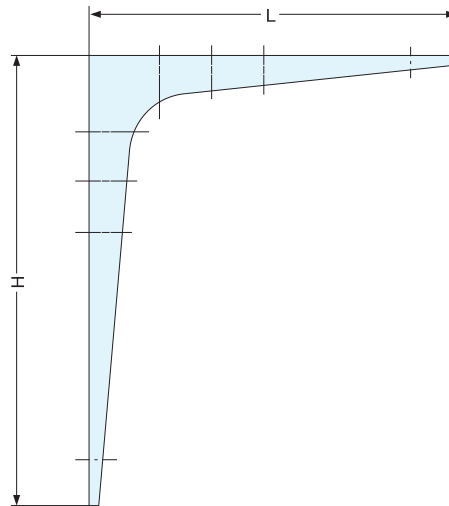
Black



Reinforcing plate



Installation



Item No.			L	H	B	C ₁	C ₂	C ₃	C ₄	C ₅	C ₆	C ₇	C ₈	d
Stainless	Steel	Steel												
BT- 85	BTK- 85	BTW- 85	69 (2-23/32")	86 (3-25/64")	15 (19/32")	58	27	-	-	75	26	-	-	4
BT-120	BTK-120	BTW-120	100 (3-15/16")	120 (4-23/32")		85	43	-	-	106	42	-	-	
BT-180	BTK-180	BTW-180	148.5 (5-27/32")	180.5 (7-7/64")		131	71	50	-	162.5	72.5	51.5	-	
BT-240	BTK-240	BTW-240	199 (7-27/32")	240 (9-29/64")	18 (23/32")	176	91	59	-	217	92	60	-	
BT-300	BTK-300	BTW-300	238.5 (9-25/64")	301 (11-27/32")	20 (25/32")	206.5	92.5	60.5	-	269	95	63	-	5
BT-380	BTK-380	BTW-380	318 (12-33/64")	378 (14-7/8")	23 (29/32")	285	145	75	345	145	110	75	-	
BT-480	BTK-480	BTW-480	400 (15-3/4")	480 (18-29/32")	30 (1-3/16")	360	180	135	90	440	180	135	90	

Item No.			Holes	Load Capacity (kg)	Weight (g)	Box (pcs)	Carton (pcs)
Stainless	Steel	Steel					
BT- 85	BTK- 85	BTW- 85	4	15 (33 lbs)	40	20	240
BT-120	BTK-120	BTW-120		20 (44 lbs)	60		100
BT-180	BTK-180	BTW-180		25 (55 lbs)	110		200
BT-240	BTK-240	BTW-240	6	28 (61 lbs)	200	10	100
BT-300	BTK-300	BTW-300		35 (77 lbs)	310		40
BT-380	BTK-380	BTW-380		65 (143 lbs)	470		40
BT-480	BTK-480	BTW-480	8	82.5 (181 lbs)	1100	6	60

Material (BT)	Finish
304 Stainless Steel	Satin
Material (BTK/BTW)	Finish/Color
Steel	Black (BTK), White (BTW)

FOLDING BRACKET

LOAD CAPACITY
150 kg
330 lbs

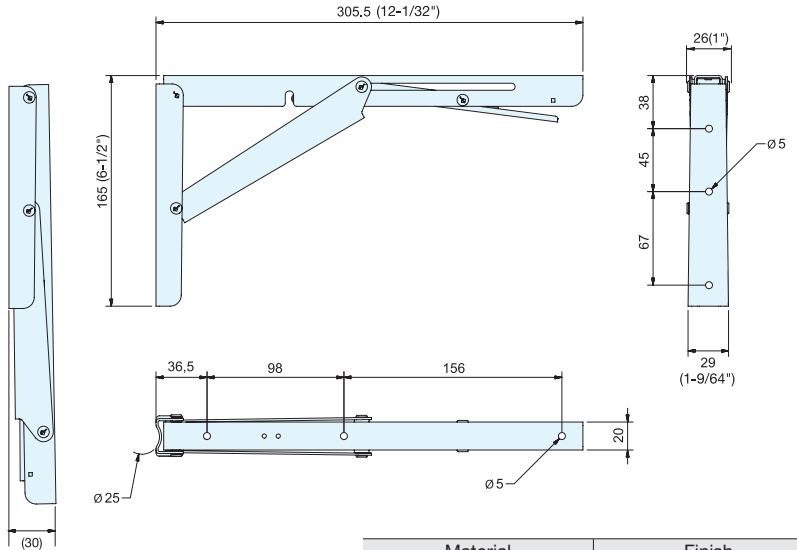
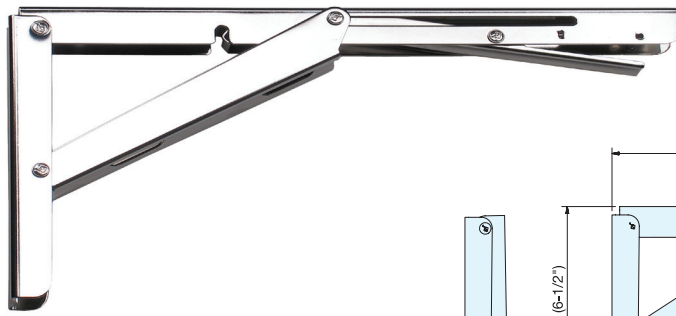
NSF
COMPONENT

NO SCREW

STAINLESS 304 STEEL

EB-303/EP

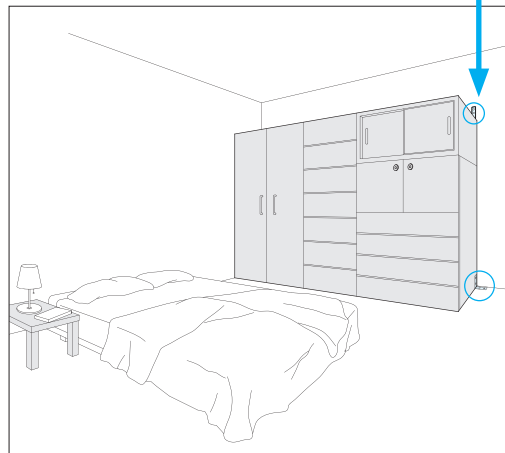
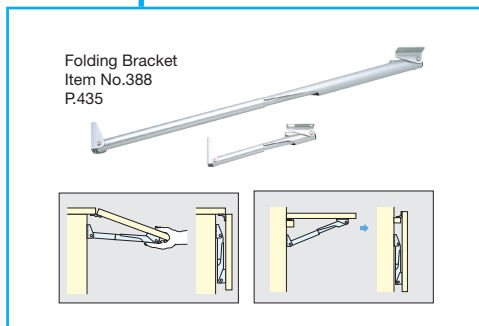
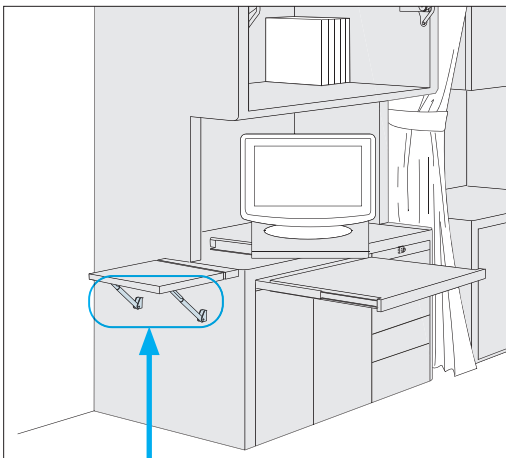
- Automatically locks when flap is in opened position.
- Depress lever to release the lock.
- Bracket with hinge function in one unit.



Material	Finish
304 Stainless Steel	Electro Polished

Item No.	Load Capacity (kg)	Weight (g)	Carton (pcs)
EB-303/EP	150 (330 lbs)/pc	515	25

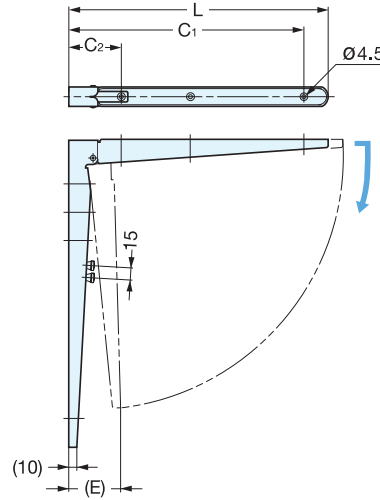
Installation



FOLDING BRACKET (W/STOPPER)



BTO



- Folding bracket with manual lock lever.
- Slide the lock lever to lock/unlock in open position.
- Bracket with hinge function in one unit.
- Supplied with white painted screws.

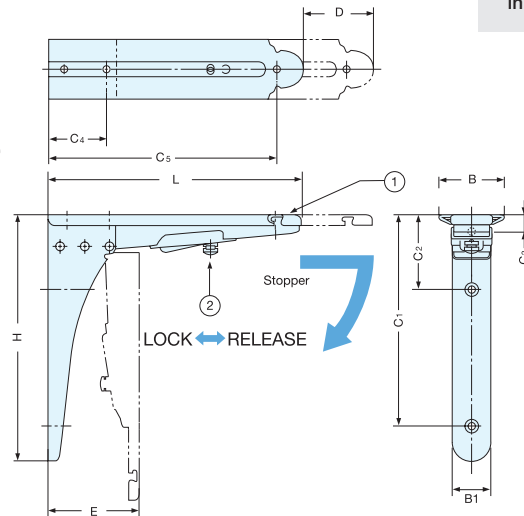
Item No.	L	H	B	(E)	C ₁	C ₂	C ₃	C ₄	C ₅	C ₆	d	t
BTO-300S	241 (9-31/64")	300 (11-13/16")	23 (29/32")	(57)	211	61	270	80	50	-	5	-
BTO-300W												

Item No.	Load Capacity (kg)	Weight (g)	Box (pcs)	Carton (pcs)	NO.	Part Name	Material	Finish/Color
BTO-300S	40.8 (89.9 lbs)/pc	510	10	40	①	Body	304 Stainless Steel (S)/Steel (W)	Satin (S)/White (W)
BTO-300W					②	Knob	Brass	Plain

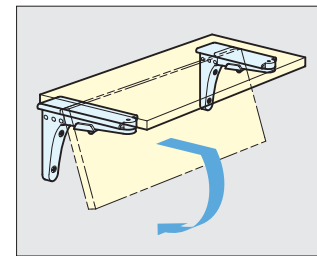
FOLDING BRACKET (W/STOPPER)



BOS



- Folding bracket with locking bracket.
- Slide the locking bracket to lock/unlock in open position.



NO.	Part Name	Material	Finish/Color
①	Body	304 Stainless Steel	Satin
②	Knob	Brass	Nickel
	Cap	EPDM	Black

Item No.	L	H	B	B1	D	E	C ₁	C ₂	C ₃	C ₄	C ₅	Load Capacity (kg)/pc	Weight (g)	Box (pcs)	Carton (pcs)
BOS-180	181 (7-1/8")	181 (7-1/8")	45.5 (1-51/64")	26	50	65	155	56	11.5	42	162	40 (88 lbs)	476	1	20
BOS-240	240 (9-7/16")	250 (9-27/32")			64	81	220	70	15	80	215	33 (72 lbs)	770		

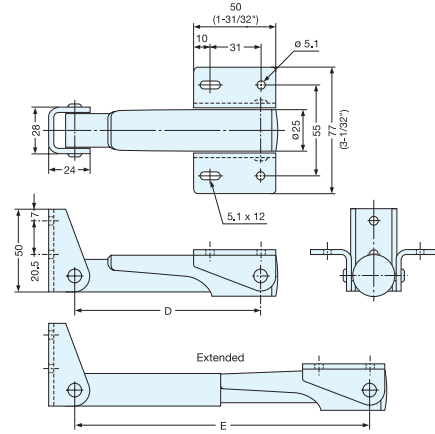
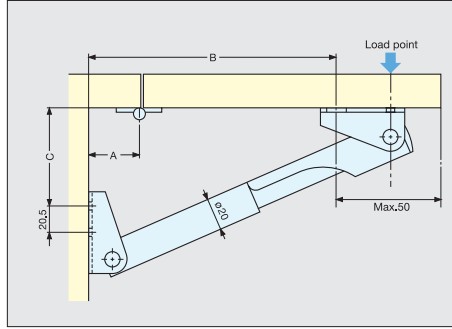
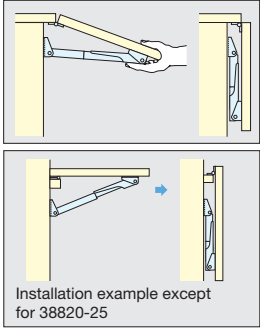
FOLDING BRACKET



388



- Automatically locks when flap is in opened position.
- Press lever to release the lock.
- For panel thickness 15~35 mm (19/32"~1-3/8")
- Required Quantity:
 - Width up to 600 mm (23-5/8")...1 pc
 - Width 600~1300 mm (23-5/8"~51-3/16")...2 pcs



Installation

Material	Finish
Aluminum	Anodized

Item No.	A	B	C	D	E	Load Capacity (kg)/pc	Weight (g)	Box (pcs)	Carton (pcs)
38820-25	25~30	161	14	114	180	35 (77 lbs)	149	5	50
38830-25	25~39	252	45	168	275.9	55 (121 lbs)	187		30
38845-25	25~50	402	87	258.5	430.8	60 (132 lbs)	266		
38860-25	25~40	549	137	368.5	585.8	80 (176 lbs)	342		

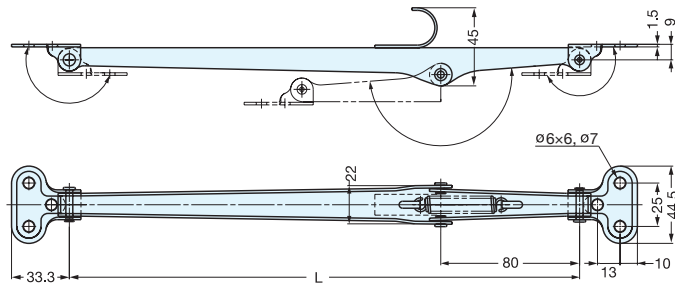
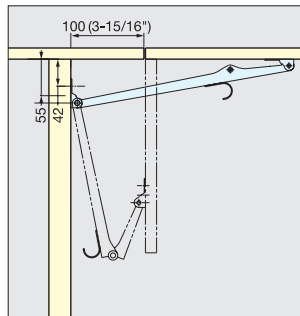
SPRING LOADED BRACKET



GTS-300



- Spring loaded for lift assist feature.
- Pull the knob to fold down.
- Max. depth of shelf is 450 mm (17-3/4")
- Max. width of shelf is 300 mm (11-13/16")



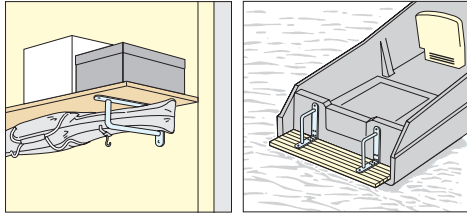
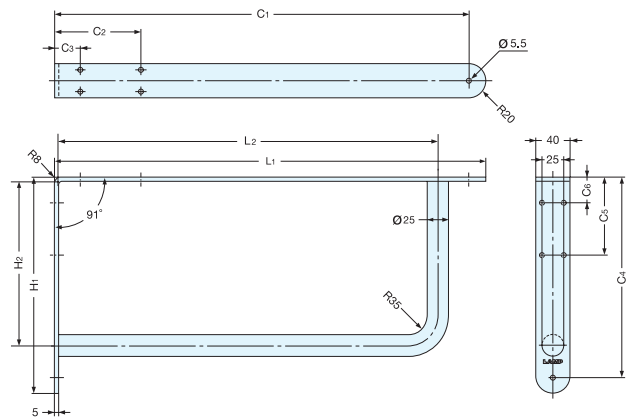
Material	Finish
304 Stainless Steel	Satin

Item No.	L	Load Capacity (kg)	Weight (g)	Box (pc)	Carton (pcs)
GTS-300	294 (11-37/64")	3 (6.6 lbs)/pc, 6 (13 lbs)/2pcs	190	12	96

BRACKET



BY



Installation

Material	Finish
304 Stainless Steel	Mirror

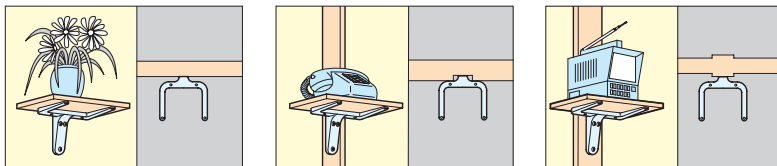
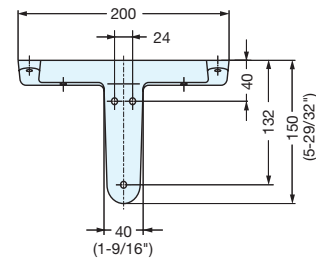
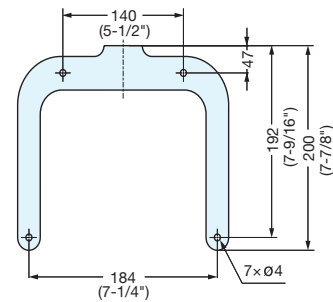
Item No.	L ₁	L ₂	H ₁	H ₂	C ₁	C ₂	C ₃	C ₄	C ₅	C ₆	Holes	Screw
BY-300	300 (11-13/16")	240	150 (5-29/32")	90	280	100	30	130	-	30	8	5 x 25, 5 x 16
BY-400	400 (15-3/4")	340	200 (7-7/8")	140	380	120		180	90		10	
BY-500	500 (19-11/16")	440	250 (9-27/32")	190	480	160		230				

Item No.	Load Capacity (kg)	Weight (g)	Box (pcs)	Carton (pcs)
BY-300	50 (110 lbs)/pc	1100	2	6
BY-400		1400		
BY-500		1800		

FORK BRACKET



BU-200



Sample Installation

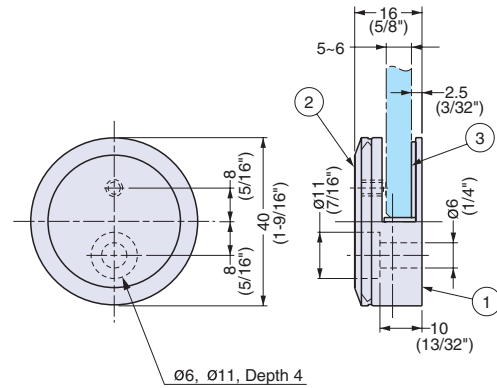
Material	Finish
Aluminum	Ivory/Black

Item No.	Load Capacity (kg)	Weight (g)	Box (pcs)	Carton (pcs)
BU200-I	30 (66 lbs)	280	10	100
BU200-B				

ZweiL Mirror Support



ZL-3102-40



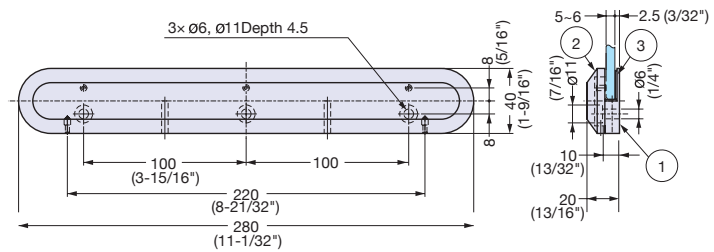
Item No.	Mirror Thickness (mm)	Box (pcs)
ZL-3102-40	5-6 (3/16" - 15/64")	4

No.	Part Name	Material	Finish/Color
①	Body	316 Stainless Steel	Zwei L
②	Cover		
③	Bumper	Synthetic Rubber	Black

ZweiL Mirror Support



ZL-3101-200



Item No.	Mirror Thickness (mm)	Box (pcs)
ZL-3101-200	5-6 (3/16" - 15/64")	2

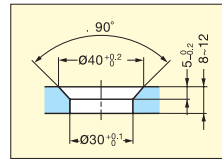
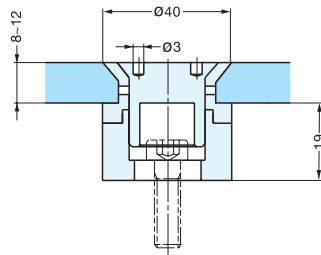
No.	Part Name	Material	Finish/Color
①	Body	316 Stainless Steel	Zwei L
②	Cover		
③	Bumper	Synthetic Rubber	Black



GLASS STANDOFF



7000VA



Cut Out Dimension

- Flush mount type glass standoff.
- Recommended Screw Size: M8 bolt
- Longer base 80~180 mm (3-5/32"~7-3/32") available as special order.
- Recommended for use with tempered glass.



Z058
* Special wrench Z058 required for installation. (Sold Separately)

Item No.	Glass Thickness (mm)	Weight (g)	Box (pcs)	Carton (pcs)
7000VA	8~12	167	4	40

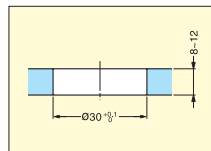
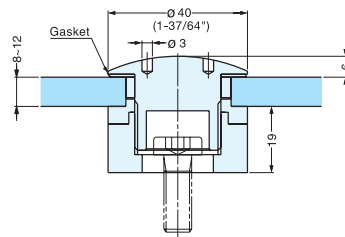
Material	Finish
302 Stainless Steel/Aluminum	Satin



GLASS STANDOFF



7005VA



Cut Out Dimension

- Glass standoff with round face plate.
- Recommended Screw Size: M8 bolt
- Longer base 80~180 mm (3-5/32"~7-3/32") as special order.
- Recommended for use with tempered glass.



Z058
* Special wrench Z058 required for installation. (Sold Separately)

Item No.	Glass Thickness (mm)	Weight (g)	Box (pcs)	Carton (pcs)
7005VA	8~12	192	4	40

Material	Finish
302 Stainless Steel/Aluminum	Satin



GLASS STANDOFF



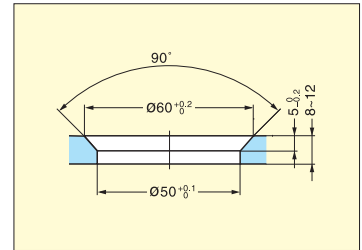
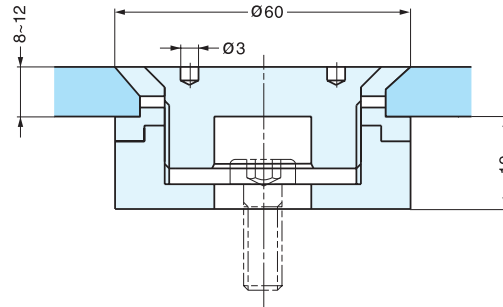
7010VA



- Flush mount type glass standoff.
- Recommended Screw Size: M8 bolt
- Recommended for use with tempered glass.



Z058
* Special wrench Z058 required for installation. (Sold Separately)



Cut Out Dimension

Item No.	Glass Thickness (mm)	Weight (g)	Box (pcs)	Carton (pcs)	Material	Finish
7010VA	8-12	435	4	40	302 Stainless Steel/Aluminum	Satin



GLASS STANDOFF



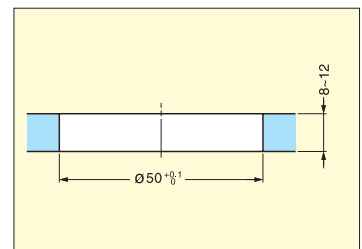
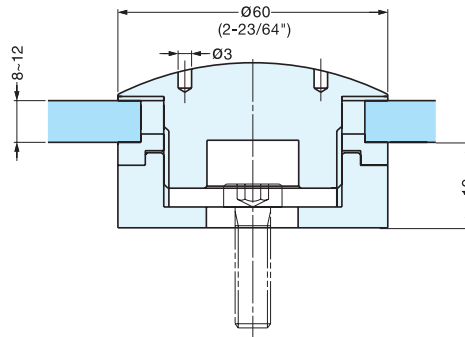
7015VA



- Glass standoff with round face plate.
- Recommended Screw Size: M8 bolt
- Recommended for use with tempered glass.



Z058
* Special wrench Z058 required for installation. (Sold Separately)



Cut Out Dimension

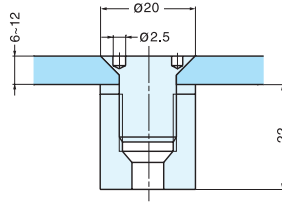
Item No.	Glass Thickness (mm)	Weight (g)	Box (pcs)	Carton (pcs)	Material	Finish
7015VA	8-12	520	4	40	302 Stainless Steel/Aluminum	Satin



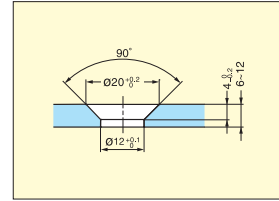
GLASS STANDOFF



7060EO



- Flush mount type glass standoff.
- Recommended Screw Size: M5 bolt
- Recommended for use with tempered glass.



Cut Out Dimension



Z059
* Special wrench Z059 required for installation. (Sold Separately)

Item No.	Glass Thickness (mm)	Weight (g)	Box (pcs)	Carton (pcs)
7060EO	6-12	23	10	100

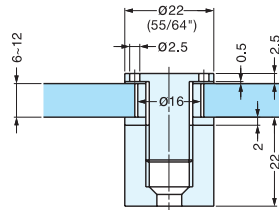
Material	Finish
Aluminum	Anodized



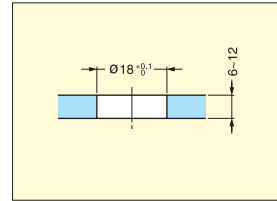
GLASS STANDOFF



7061VA



- Glass standoff with flat face plate.
- Recommended Screw Size: M5 bolt
- Recommended for use with tempered glass.



Cut Out Dimension



Z059
* Special wrench Z059 required for installation. (Sold Separately)

Item No.	Glass Thickness (mm)	Weight (g)	Box (pcs)	Carton (pcs)
7061VA	6-12	69	10	100

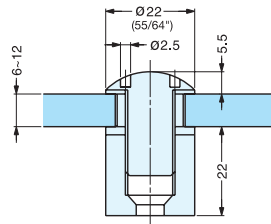
Material	Finish
304 Stainless Steel	Satin



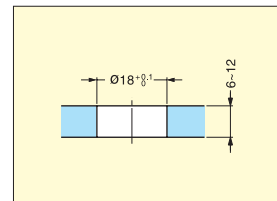
GLASS STANDOFF



7062VA



- Glass standoff with round face plate.
- Recommended Screw Size: M5 bolt
- Recommended for use with tempered glass.



Cut Out Dimension



Z059
* Special wrench Z059 required for installation. (Sold Separately)

Item No.	Glass Thickness (mm)	Weight (g)	Box (pcs)	Carton (pcs)
7062VA	6-12	71	10	100

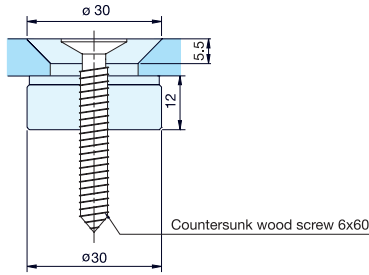
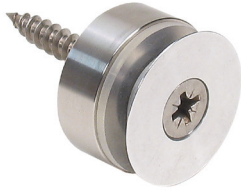
Material	Finish
304 Stainless Steel	Satin



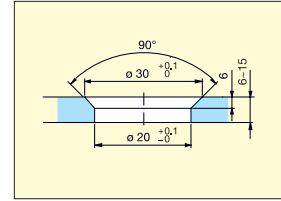
GLASS STANDOFF



7051EO



- Flush mount type glass standoff.
- Recommended for use with tempered glass.



Cut Out Dimension

Item No.	Glass Thickness (mm)	Weight (g)	Box (pcs)	Carton (pcs)
7051EO	6-15	67	10	100

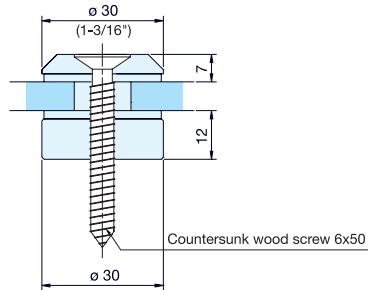
Material	Finish
304 Stainless Steel/Aluminum	Satin



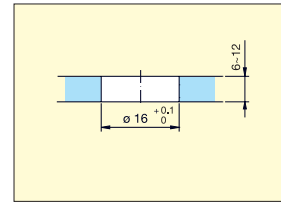
GLASS STANDOFF



7083VA



- Glass standoff with round face plate.
- Recommended for use with tempered glass.



Cut Out Dimension

Item No.	Glass Thickness (mm)	Weight (g)	Box (pcs)	Carton (pcs)
7083VA	6-12	84	10	100

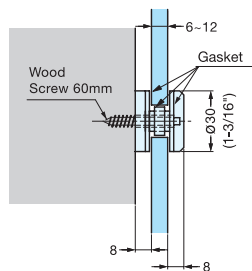
Material	Finish
304 Stainless Steel	Satin



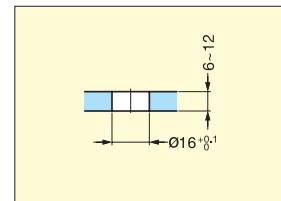
GLASS STANDOFF



4872



- Glass standoff with plain flat face plate.
- Supplied with 60 mm length wood screw.
- Recommended for use with tempered glass.



Cut Out Dimension



Z057
* Special wrench Z057 required for installation. (Sold Separately)

Item No.	Glass Thickness (mm)	Weight (g)	Box (pcs)	Carton (pcs)
4872ZN1	6-12	80	10	100
4872ZN5				

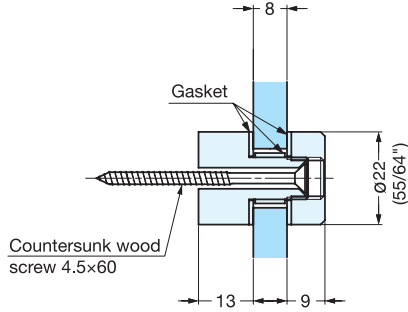
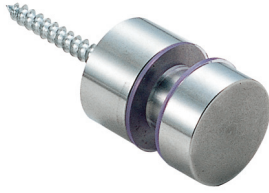
Material	Finish
Zinc Alloy	Matte Chrome
	Chrome



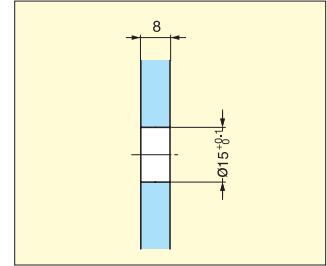
GLASS STANDOFF



7120VA



- Small stand off with cover cap.
- Supplied with flat head wood screw 4.5 x 60.
- Recommended for use with tempered glass.



Cut Out Dimension

Item No.	Glass Thickness (mm)	Weight (g)	Box (pcs)	Carton (pcs)
7120VA	8	62	10	100

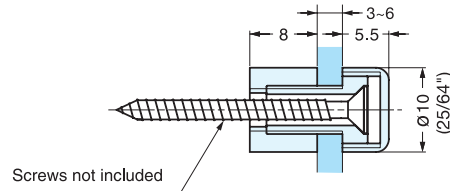
Material	Finish
304 Stainless Steel	Satin



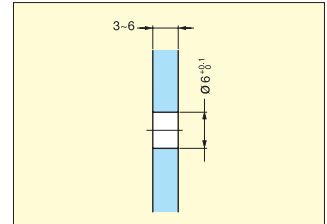
GLASS STANDOFF



7140E1EV1



- Mini stand off with cover cap.
- Screw not supplied.
- Recommended for use with tempered glass.
- Recommended screw size: M3



Cut Out Dimension

Item No.	Glass Thickness (mm)	Weight (g)	Box (pcs)	Carton (pcs)
7140E1EV1	3-6	3	10	100

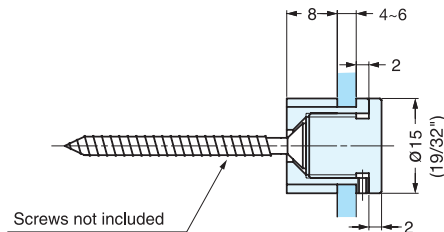
Material	Finish
Aluminum/Brass	Anodized/Nickel Plated



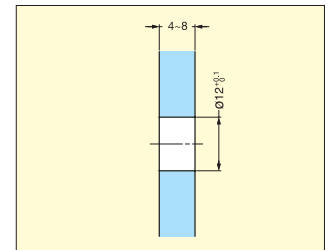
GLASS STANDOFF



7144E1EV1



- Small stand off with cover cap.
- Screw not supplied.
- Recommended for use with tempered glass.
- Recommended screw size: M4



Cut Out Dimension

Item No.	Glass Thickness (mm)	Weight (g)	Box (pcs)	Carton (pcs)
7144E1EV1	4-8	5	10	100

Material	Finish
Aluminum	Anodized

Stainless Steel Shelf Supports

SPH-1820
(HEAVY DUTY)

STAINLESS
304
STEEL

Page
444-445



SPH-20
99lbs/4pcs



SPH-5
99lbs/4pcs



SPH-15
88lbs/4pcs



SP-18E

SPHL-1820
(HEAVY DUTY)

STAINLESS
304
STEEL

Page
451



SPHL-25
176lbs/4pcs



SPHL-30
264lbs/4pcs

SP-1820
(HEAVY DUTY)

STAINLESS
304
STEEL

Page
446-448



SPB-15R
66lbs/4pcs



SPB-20
44lbs/4pcs



SPB-200, 250
44lbs/per pair



SPF-20
99lbs/4pcs



SPF-20A



SPF-20LC



SPB-35
11lbs/pc

SPN-1820
(NARROW PROFILE)

STAINLESS
430
STEEL

Page
452



SPN-15
132lbs/4pcs



SPN-17EC

SM-1820
(COVERED SLOT)

STAINLESS
304
STEEL

Page
449



SMB-15R
66lbs/4pcs



SPM-20B
79lbs/4pcs

SPW-1820
(COVER-STRIP)

STAINLESS
430
STEEL

Page
453



SPW-20
132lbs/4pcs



SPW-EC20

Aluminium Shelf Supports

SPE-1820
(THIN PROFILE)

STAINLESS
430
STEEL

Page
450



SPE-FB20
176lbs/4pcs



SPE-FC20

AP-DM, AP-DH

ALUMINIUM

Page
454-455



AP-FB20
99lbs/4pcs



AP-FC20

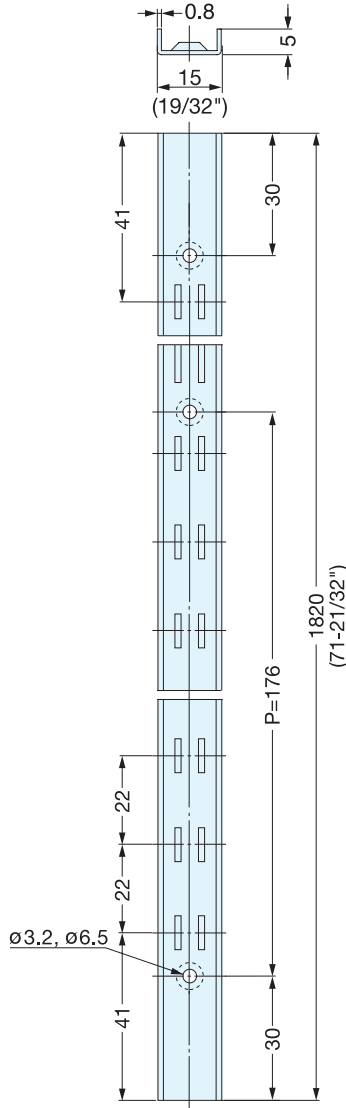


AP-EC20

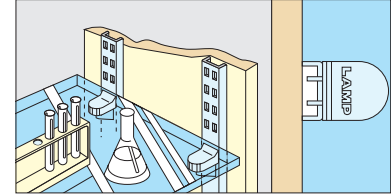
SHELF STANDARD



SPH-1820



- Easy height adjustment for changing shelf level.
- Shelf support/Accessory options: SPH-5, SPH-15, SPH-20 (shelf supports) SP-18E, SPW-EC20 (end cap)



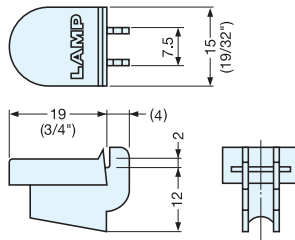
Surface Mount

Item No.	Weight (g)	Box (pcs)	Material	Finish
SPH-1820	230	80	304 Stainless Steel	Satin

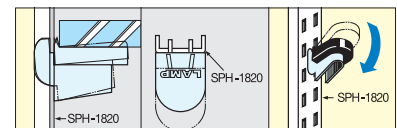
SHELF SUPPORT



SPH-20



- Shelf support for SPH-1820.
- Shelf support is friction retention type.



Installation

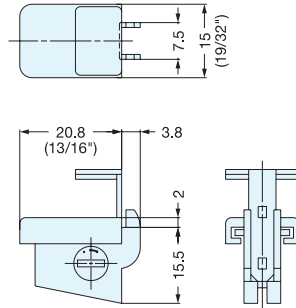
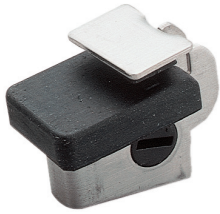
Item No.	Load Capacity (kg)	Weight (g)	Box (pcs)	Carton (pcs)	Material	Finish/Color
SPH-20	130 (286 lbs)/4pcs	4.5	300	3000	304 Stainless Steel Synthetic Rubber Pad	Satin Black

SHELF SUPPORT (W/HOLDER)

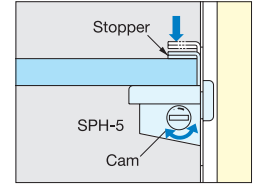
LOAD CAPACITY
45 kg
99 lbs

STAINLESS 304 STEEL

SPH-5



- Shelf support for SPH-1820.
- Shelf support is friction retention type.
- Glass thickness: 4~8 mm (5/32"~5/16") thickness.



Installation

Item No.	Load Capacity (kg)	Weight (g)	Box (pcs)	Carton (pcs)
SPH-5	130 (286 lbs)/4pcs	8	100	1000

Material	Finish/Color
304 Stainless Steel	Satin
Synthetic Rubber pad	Black

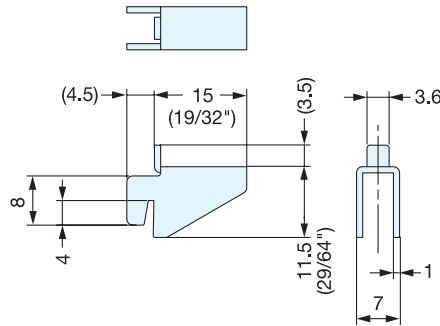
SHELF SUPPORT



LOAD CAPACITY
40 kg
88 lbs

STAINLESS 304 STEEL

SPH-15



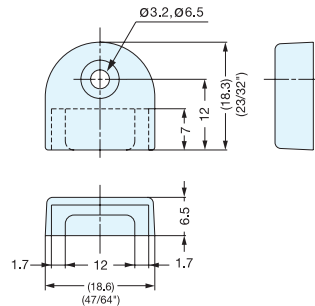
- Shelf support for SPH-1820.

Item No.	Load Capacity (kg)	Weight (g)	Box (pcs)	Carton (pcs)
SPH-15	130 (286 lbs)/4pcs	2.6	400	4000

Material	Finish
304 Stainless Steel	Satin

END CAP

SP-18E



- End cover cap for SPH, SM, SP, SPW shelf standards.

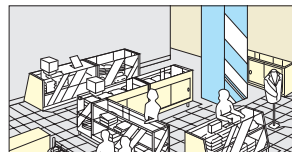
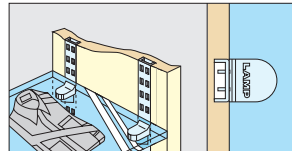
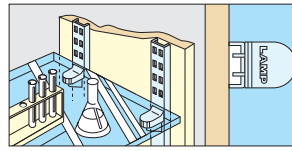
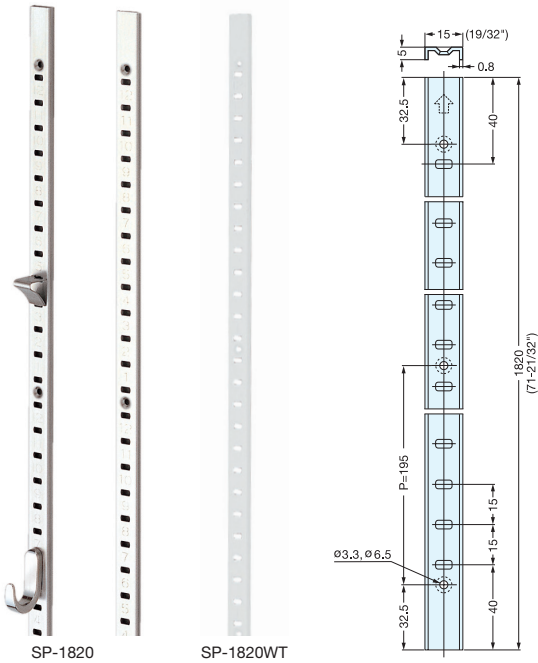
Item No.	Weight (g)	Box (pcs)	Carton (pcs)
SP-18E/BLK	1.3	500	5000
SP-18E/WHT			

Material	Color
ABS	Black (BLK), White (WHT)

SHELF STANDARD



SP-1820



- Easy height adjustment for changing shelf level.
- Shelf support/accessory options: SPB-15R, SPB-20, SPF-20, SPF-20LC (shelf supports), SPF-20A (shelf holder), SPB-35 (hook), SP-18E, SPW-EC20 (end cap), SPB-200, 250 (bracket).

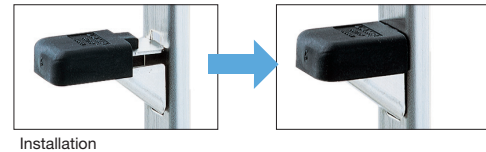
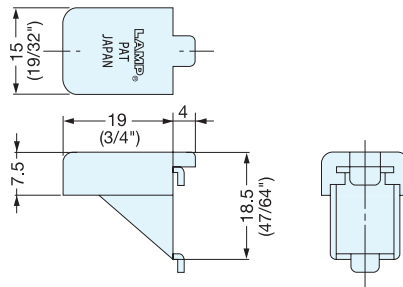
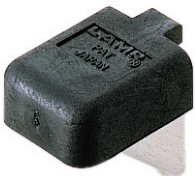
Item No.	Holes	Weight (g)	Box (pcs)
SP-1820	10	222	60
SP-1820WT			

Material	Finish/Color
304 Stainless Steel	Satin, White

SHELF SUPPORT



SPB-15R



- Shelf support for SP-1820.
- Shelf support is friction retention type.

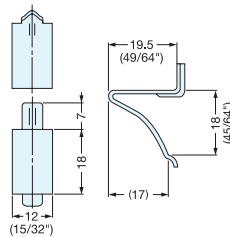
Item No.	Load Capacity (kg)	Weight (g)	Box (pcs)	Carton (pcs)
SPB-15R	100 (220 lbs)/4pcs	6	300	3000

Material	Finish/Color
304 Stainless Steel	Satin
Elastomer	Black

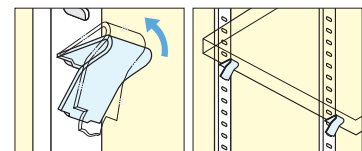
SHELF SUPPORT



SPB-20



- Shelf support for SP-1820.



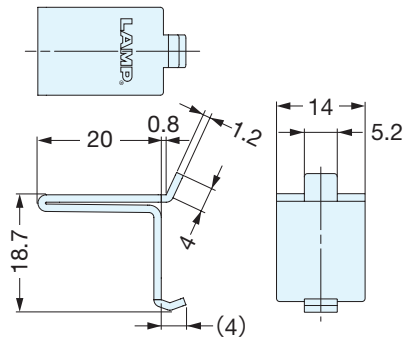
Item No.	Load Capacity (kg)	Weight (g)	Box (pcs)	Carton (pcs)
SPB-20	45 (99 lbs)/4pcs	3.6	300	3000
SPB-20WT				

Material	Finish/Color
304 Stainless Steel	Satin, White

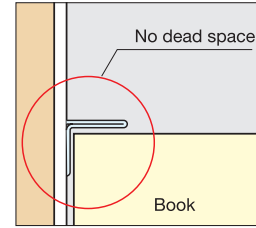
SHELF SUPPORT



SPF-20



- Shelf support for SP-1820.
- Designed to eliminate dead space.



Installation

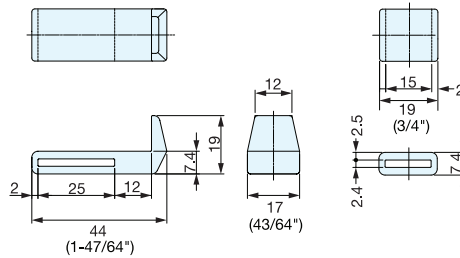
Item No.	Load Capacity (kg)	Weight (g)	Box (pcs)	Carton (pcs)
SPF-20	80 (176 lbs)/4pcs	7	300	3000
SPF-20WT				

Material	Finish/Color
304 Stainless Steel	Satin, White

SHELF HOLDER

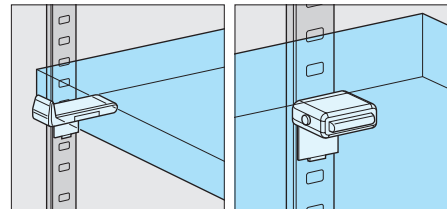


SPF-20A



- Plastic holder to keep the shelf in position.
- Used together with SPF-20. (sold separately)
- Distance from center of front shelf support to front shelf edge is 18~30mm. (adjustable)
- One each of front and back holder sold as set.

Sample Installation



Front

Back

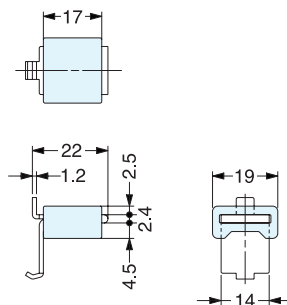
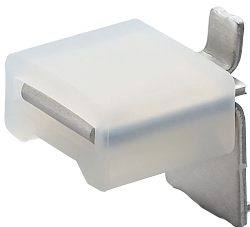
Item No.	Weight (g)	Box (pcs)	Carton (pcs)
SPF-20A	4	100	2500

Material	Color
Polyethylene	White

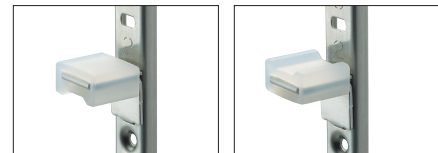
SHELF SUPPORT WITH LEVELING CAP



SPF-20LC



- Includes both shelf support (SPF-20) & leveling cap.
- Shelf level can be adjusted by flipping over the cap.



Item No.	Weight (g)	Box (pcs)	Carton (pcs)
SPF-20LC	9.5	200	2000

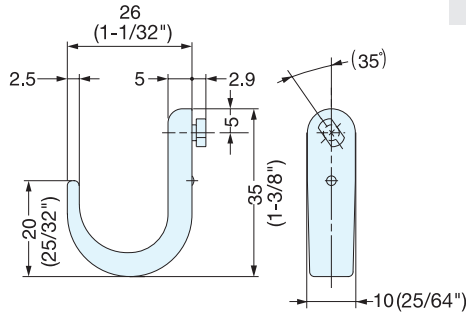
Part Name	Material	Finish / Color
Cap	Silicone	Milky White
Body	304 Stainless Steel	Satin

SHELF HOOK



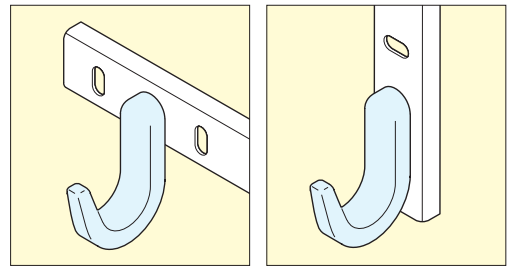
LOAD CAPACITY
5 kg
11 lbs

SPB-35



- Hook for SP-1820.
- Can be used with a vertical or horizontal standard.

Installation



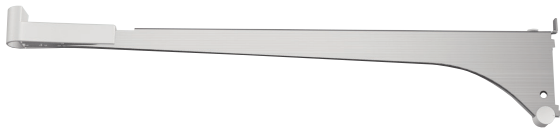
Item No.	Load Capacity (kg)	Weight (g)	Box (pcs)	Carton (pcs)	Material	Finish
SPB-35	5 (11 lbs)/pc	15.5	150	450	Zinc Alloy	Nickel

BRACKET

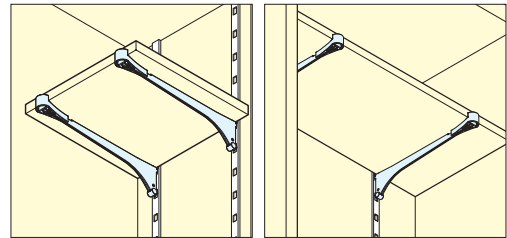
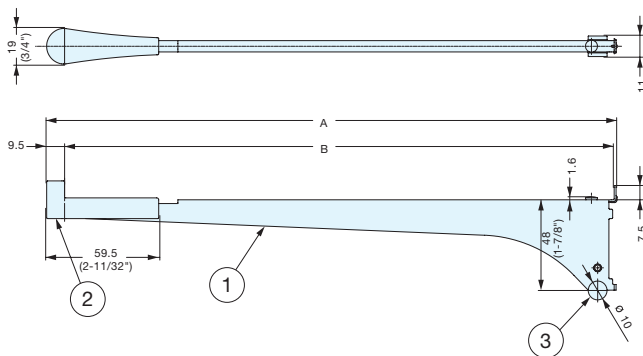
LOAD CAPACITY
20 kg
44 lbs

STAINLESS
304
STEEL

SPB-200,250



- Telescoping shelf supports.
- Use with SP-1820 shelf standards (sold separately).
- Sold as each; use 2 supports per shelf.
- If using glass, max. Shelf width should not exceed 900 mm (35-7/16").



Installation

No.	Part Name	Material	Finish/Color
①	Main Body	Stainless Steel	Satin
②	Shelf Retainer Clip	Polypropylene	White
③	Base Hook		

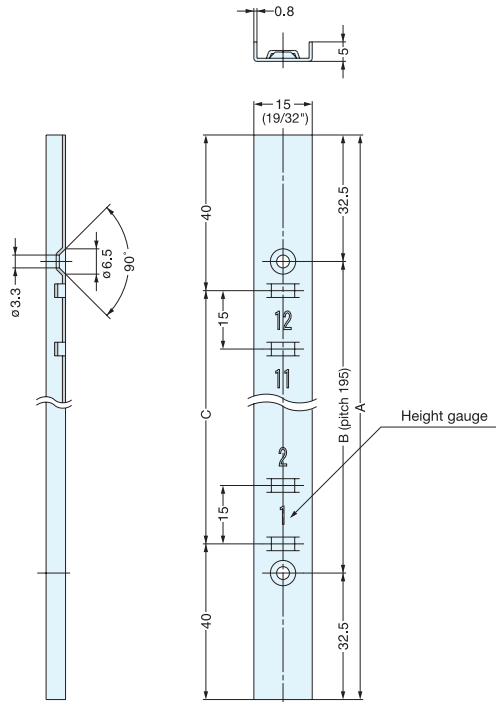
Item No.	A (Projection)			B (Shelf Depth)			Load Capacity (kg)	Weight (g)	Box
SPB-200	193 (7-9/16")	203 (7-31/32")	213 (8-3/8")	180 (7-1/16")	190 (7-1/2")	200 (7-7/8")	20kg (44 lbs) /per pair	65	50
SPB-250	243 (9-17/32")	253 (9-15/16")	263 (10-11/32")	230 (9-1/16")	240 (9-7/16")	250 (9-13/16")	20kg (44 lbs) /per pair	78	50

Discontinued

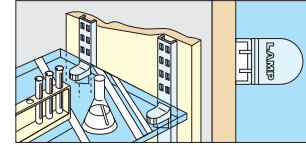
SHELF STANDARD



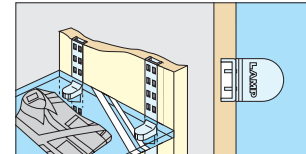
SM-1820



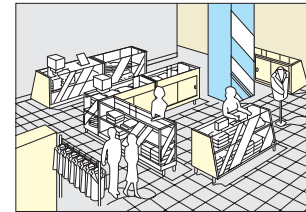
- Easy height adjustment for changing shelf level.
- Shelf support/accessory options: SMB-15R, SPM-20B. (shelf support) SP-18E, SPW-EC20 (end cap)



Surface Mount



Mortise Mount



Installation

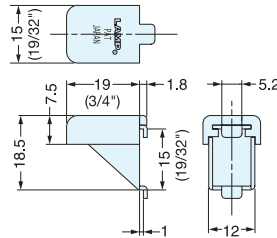
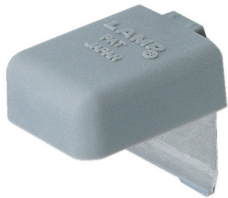
Item No.	A	B	C	Weight (g)	Box (pcs)
SM-1820	1820 (71-21/32")	1755	1740	245	60

Material	Finish
304 Stainless Steel	Satin

SHELF SUPPORT



SMB-15R



- Shelf support for SM-1820.
- Shelf support is friction retention type.

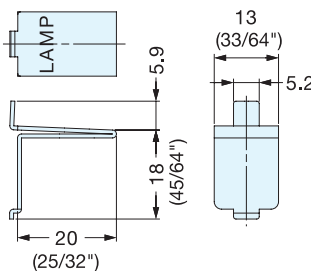
Item No.	Load Capacity (kg)	Weight (g)	Box (pcs)	Carton (pcs)
SMB-15R	90 (198 lbs)/4pcs	6	300	3000

Material	Finish/Color
304 Stainless Steel	Satin
Elastomer	Grey

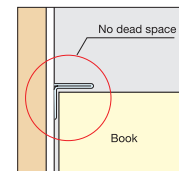
SHELF SUPPORT



SPM-20B



- Shelf support for SM-1820.
- Designed to eliminate dead space.



Installation

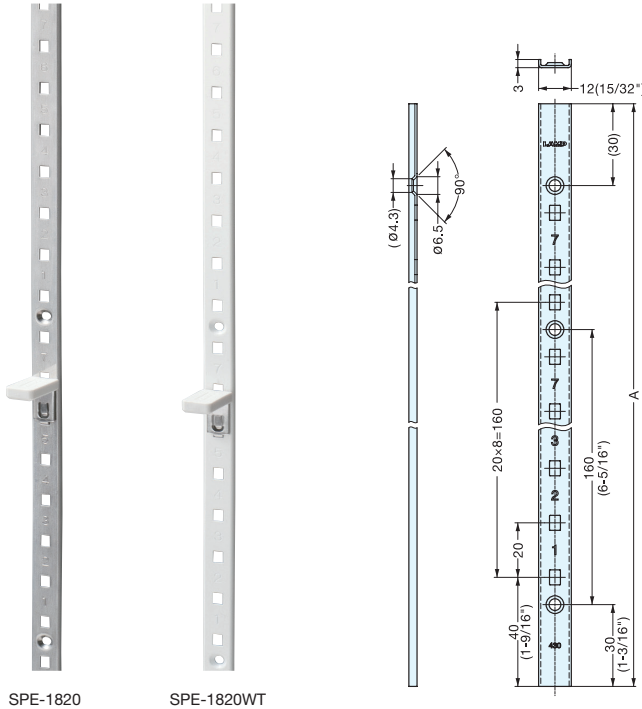
Item No.	Load Capacity (kg)	Weight (g)	Box (pcs)	Carton (pcs)
SPM-20B	60 (132 lbs)/4pcs	5	300	3000

Material	Finish
304 Stainless Steel	Satin

THIN SHELF STANDARD



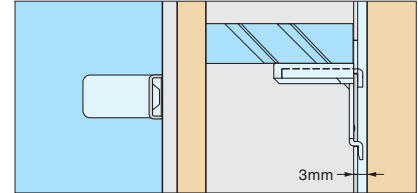
SPE-1820



SPE-1820

SPE-1820WT

- 430 stainless steel shelf standard, available in Plain or White (WT) finish.
- Use with SPE-FB20S shelf supports and AP-EC20 end caps (both sold separately)



Item No.	Length	Weight (g)	Box (pcs)
SPE-1820	1820 mm (71-5/8")	156	100
SPE-1820WT			

Material	Finish
430 Stainless Steel	Plain, White(WT)

SHELF SUPPORT / CAP



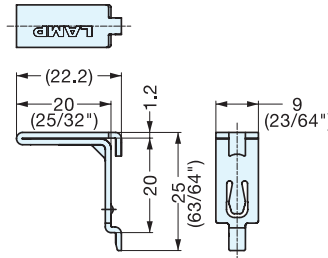
SPE-FB20S, SPE-FC20

■ SHELF SUPPORT



SPE-FB20S

SPE-FB20SWT

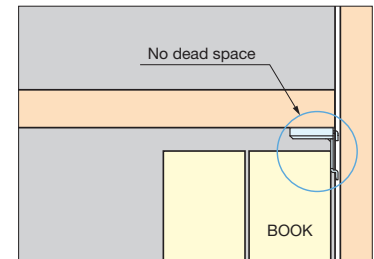
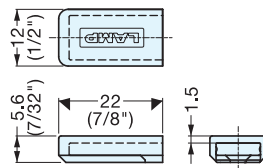


- SPE-FB20S available in Plain or White (WT) finish.
- Use with SPE-1820 shelf standards and SPE-FC20 support caps (both sold separately).

■ CAP



SPE-FC20



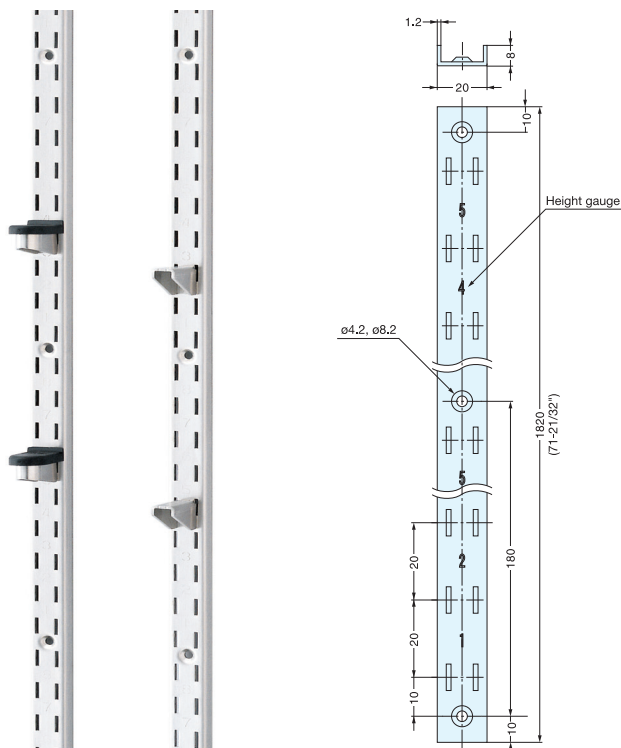
Item No.	Load Capacity (kg)	Weight (g)	Box (pcs)	Carton (pcs)
SPE-FB20S	80 (176 lbs)/4pcs	5	300	3000
SPE-FB20SWT				
Item No.	Weight (g)	Box (pcs)	Carton (pcs)	
SPE-FC20	1	300	3000	

• SHELF SUPPORT	
Material	Finish
430 Stainless Steel	Plain, White (WT)
• CAP	
Material	Finish
Elastomer (TPE)	Light Grey

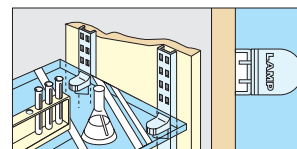
HEAVY DUTY SHELF STANDARD



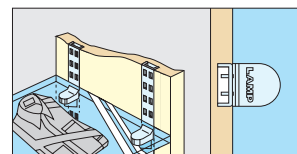
SPHL-1820



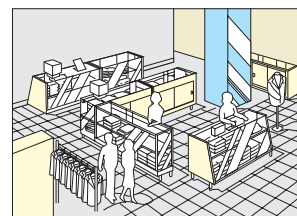
- Heavy duty shelf standard.
- Easy height adjustment for changing shelf level.
- Shelf support options (sold separately):
SPHL-25
SPHL-30



Surface Mount



Mortise Mount



Installation

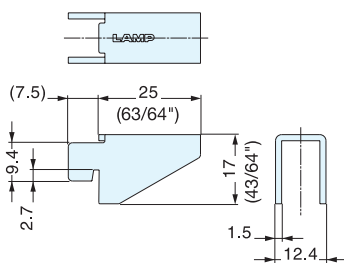
Item No.	Weight (g)	Box (pcs)
SPHL-1820	500	30

Material	Finish
304 Stainless Steel	Satin

SHELF SUPPORT



SPHL-25



- Shelf support for SPHL-1820.

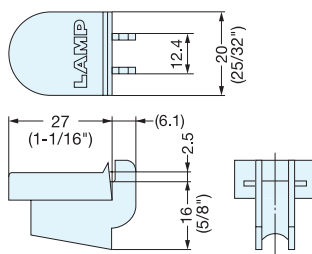
Item No.	Load Capacity (kg)	Weight (g)	Box (pcs)	Carton (pcs)
SPHL-25	150 (330 lbs)/4pcs	11	200	1200

Material	Finish
304 Stainless Steel	Satin

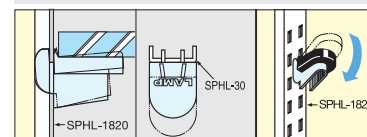
HEAVY DUTY SHELF SUPPORT



SPHL-30



- Shelf support for SPHL-1820.
- Rubber pad prevents glass shelf from sliding.
- Shelf support is friction retention type.



Installation

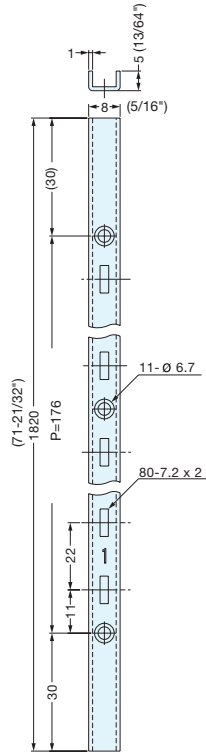
Item No.	Load Capacity (kg)	Weight (g)	Box (pcs)	Carton (pcs)
SPHL-30	150 (330 lbs)/4pcs	12.3	100	1000

Material	Finish/Color
304 Stainless Steel	Satin
Elastomer	Black

NARROW SHELF STANDARD



SPN-1820



- Unique slim 8 x 5 profile.
- Easy to cut to desired length.
- Shelf support options (sold separately):
 - SPN-15 (shelf support), SPN-17EC (end cap)

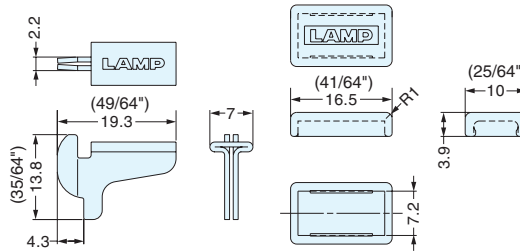
Item No.	Length (mm)	Hole	Weight (g)	Box (pcs)
SPN-1820	1820 (71-21/32")	11	205	60

Material	Finish
430 Stainless Steel	Satin

SHELF SUPPORT



SPN-15



- Shelf support for SPN-1820.

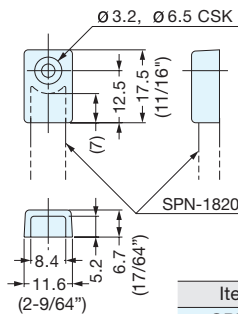
Item No.	Material	Color	Weight (g)	Box (pcs)	Carton (pcs)
SPN-15C	Elastamer	White	0.5	400	4000

Item No.	Material	Finish	Load Capacity (kg)	Weight (g)	Box (pcs)	Carton (pcs)
SPN-15	304 Stainless Steel	Plain	80 (176 lbs)/4 pcs	2	400	4000

END CAP



SPN-17



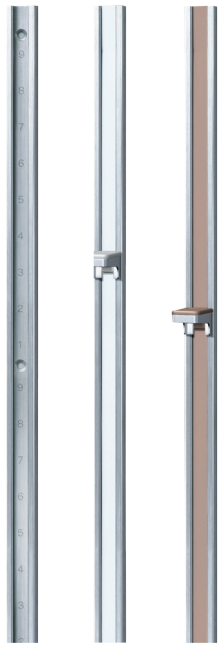
- End cap for SPN-1820.

Item No.	Material	Color	Weight (g)	Box (pcs)	Carton (pcs)
SPN-17EC	Polypropylene	White	0.9	400	4000

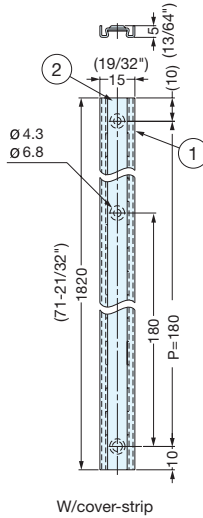
COVERED SHELF STANDARD



SPW-1820

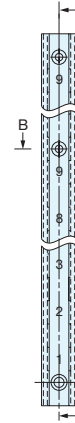


Standard Cover-strips

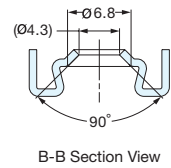


W/cover-strip

- Screw holes and slots are concealed when used with cover-strip (SPW-CV).
- Shelf supports and cover strips sold separately.
- End cap options: SP-18E, SPW-EC20.



W/O cover-strip A-A



B-B Section View

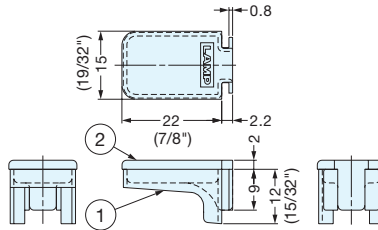
No.	Item No.	Material	Finish
①	SPW-1820	430 Stainless Steel	Satin
②	SPW-CV1820	PVC Plastic	White/Brown

Item No.	Part Name	Length (mm)	Finish	Hole	Weight (g)	Box (pcs)
SPW-1820	Shelf Standard	1820 (71-21/32")	Satin	11	335	60
SPW-CV1820-WT	Cover Strip	1820 (71-21/32")	White		8	20
SPW-CV1820-BR			Brown			

SHELF SUPPORT



SPW-20



- Shelf support for SPW-1820.

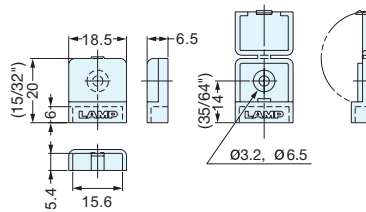
No.	Part Name	Material	Finish
①	Housing	304 Stainless Steel	Plain
②	Cover	Elastomer	White/Brown

Item No.	Color	Load Capacity (kg)	Weight (g)	Box (pcs)	Carton (pcs)
SPW-20-WT	White	60 (132 lbs)/4pcs	4.5	200	2000
SPW-20-BR	Brown				

END CAP



SPW-EC20



- End cap for SPW, SP, SM and SPH shelf standards.

Item No.	Material	Color	Weight (g)	Box (pcs)	Carton (pcs)
SPW-EC20-WT	Polypropylene	White	2	400	4000
SPW-EC20-BR		Brown			

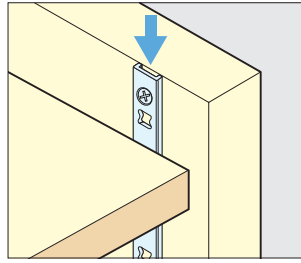
SHELF STANDARD



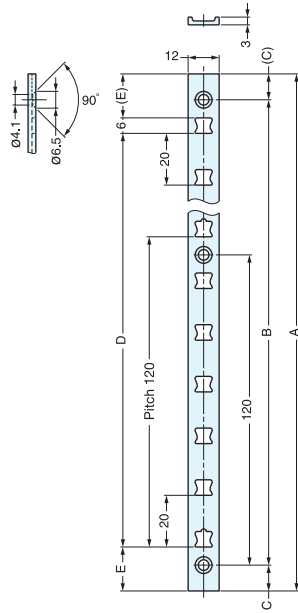
AP-DM, AP-DH



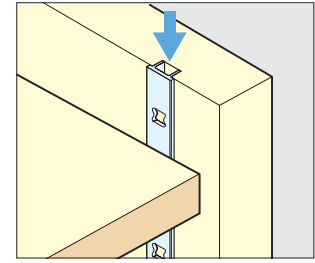
AP-DM1820WT AP-DM1820



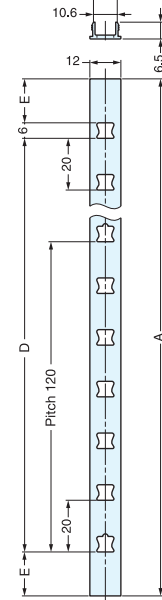
Surface Mount



AP-DH1820

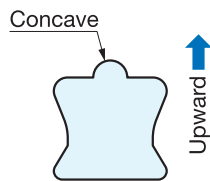


Mortise Mount

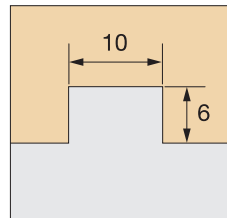


- Aluminum shelf standard.
- Easy to cut to desired length.
- Thin profile (3 mm, 1/8") suitable for surface mount.
- Screw hole located every 120 mm (4-23/32").
- New slot shape to prevent shelf support from falling off.
- Special screw with silver finish available. (AP-SC3-16)
- Screws and accessories sold separately.

- Aluminum shelf standard.
- Easy to cut to desired length.
- Designed for press-fit mount without using screws.
- New slot shape to prevent shelf support from falling off.
- Screws and accessories sold separately.

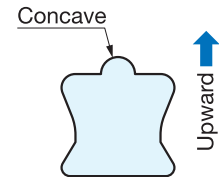


* Install the standard with concave slot (located every 120 mm) pointing upward.



Bore Dimension (In case of Plywood)

* Fit tightness may vary depending on the panel/wall material. Use adhesive if loose.



* Install the standard with concave slot (located every 120 mm) pointing upward.

Item No.	Screw Type	Material
AP-SC3-16	Flat-head wood 3 x 16	Steel
AP-SC3-16WT		
Item No.	Finish / Color	Box (set)
AP-SC3-16	Yellow Zinc Chromate (Head-Silver)	1
AP-SC3-16WT	Yellow Zinc Chromate (Head-White)	

Item No.	Mounting Type	A	B	C	D	E	Weight (g)	Material	Finish	Box (pcs)
AP-DM1820	Surface Mount	1820 (71-21/32")	1800	10	1780	17	113	Aluminum	Anodized	100
AP-DM1820WT		2600 (102-3/8")	2520	40	2500	47	161		White	
AP-DM2600		1820 (71-21/32")	-	-	1780	17	131		Anodized	60
AP-DH1820	Mortise Mount	1820 (71-21/32")	-	-	1780	17	131	Aluminum	Anodized	100
AP-DH2600		2600 (102-3/8")	-	-	2500	47	187			60

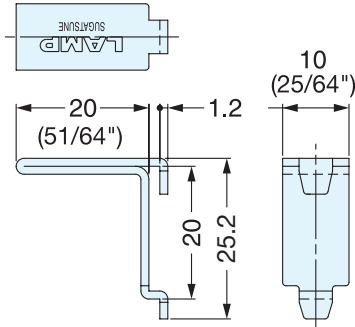
SHELF SUPPORT

LOAD CAPACITY
45 kg
99 lbs

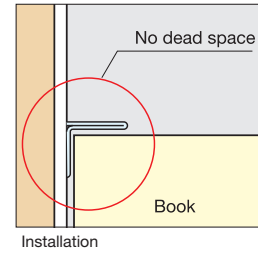


STAINLESS
430
STEEL

AP-FB20



- Shelf support for AP-DM and AP-DH.
- Designed to eliminate dead space at bottom of bracket.

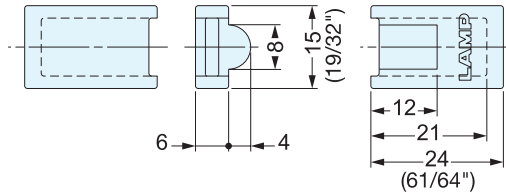


Item No.	Load Capacity (kg)	Weight (g)	Box (pcs)	Carton (pcs)	Material	Finish
AP-FB20	45 (99 lbs)/4 pcs	5	300	3000	430 Stainless Steel	Satin

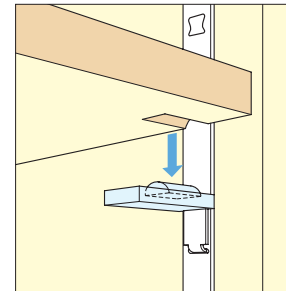
SHELF SUPPORT CAP



AP-FC20



- Rubber cap for shelf support AP-FB20.
- Insert the cap with half round shape facing up, and cutout the shelf to prevent from sliding.

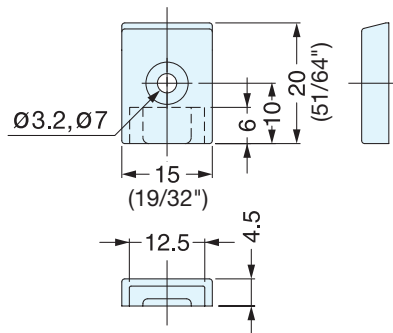


Item No.	Weight (g)	Box (pcs)	Carton (pcs)	Material	Color
AP-FC20	5	400	4000	Elastomer	Light Grey

END CAP



AP-EC20



- End cap for AP-DM.

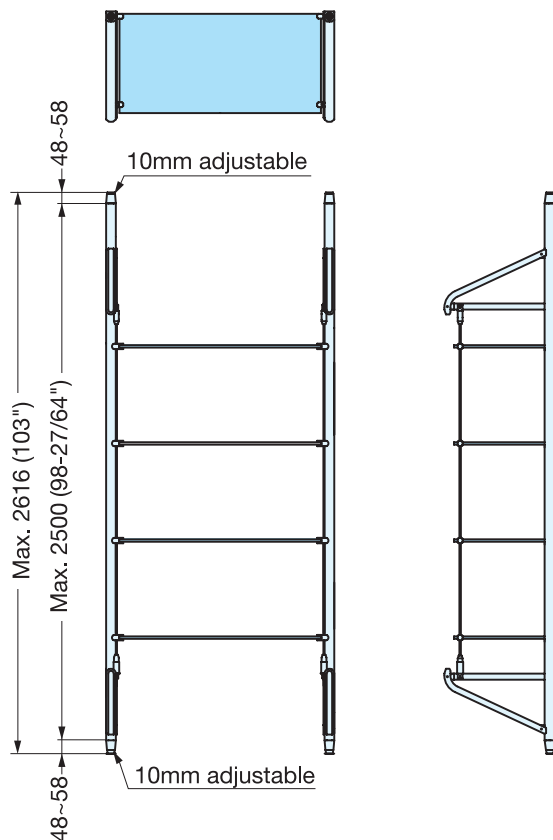
Item No.	Weight (g)	Box (pcs)	Carton (pcs)	Material	Color
AP-EC20	5	400	4000	ABS	Light Grey

UNIT SHELF TYPE "B"

XL-US02B

SHELF & SUPPORT HARDWARE

UNIT SHELF TYPE "B"



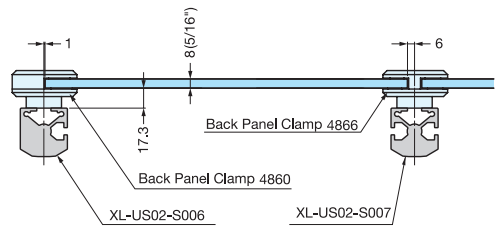
- Adjustable shelf height.
- Designed for ceiling to floor pressure fit installation with extendable leveling glides.
- Can also be wall mounted by using optional wall mounting bracket. XL-US02-S010 (sold separately).
- Please see page P.464~P.465 for part details.

Glass Thickness	8 or 10 mm
Overall Height	Max. 2616 mm (103")
Glass Width	Max. 1200 mm (47-1/4") (Glass Thickness 8 mm) Max. 1500 mm (59-3/64") (Glass Thickness 10 mm)
Glass Depth	400~450 mm (15-3/4"~17-23/32")
Load Capacity	Max. 30 kg (66 lbs)/Shelf

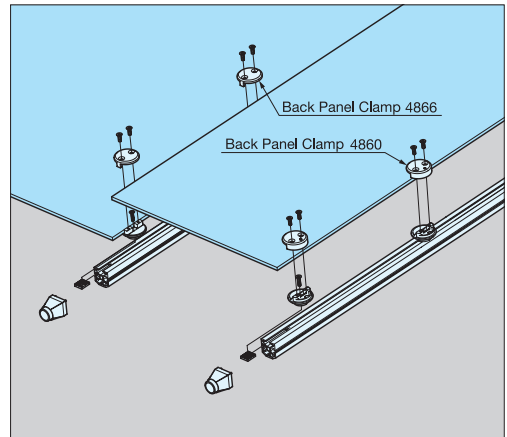
Sample Installation



Back Panel Installation

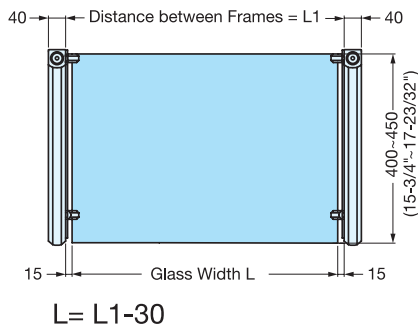


Back Panel Clamp Installation

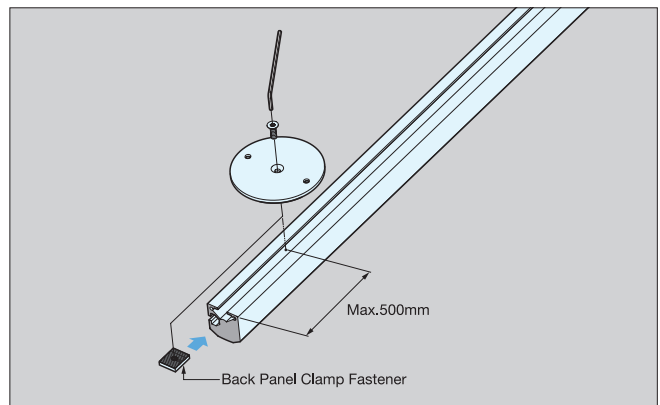


*Insert clamp fasteners before mounting leveling legs.

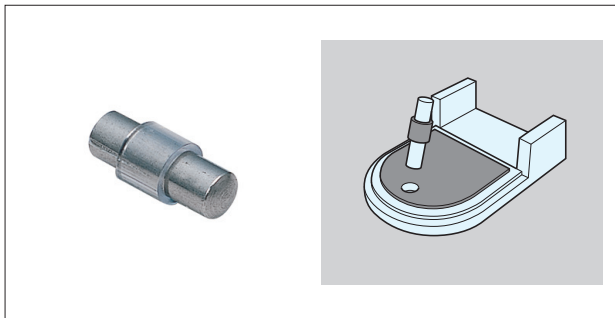
Glass Shelf Dimensions



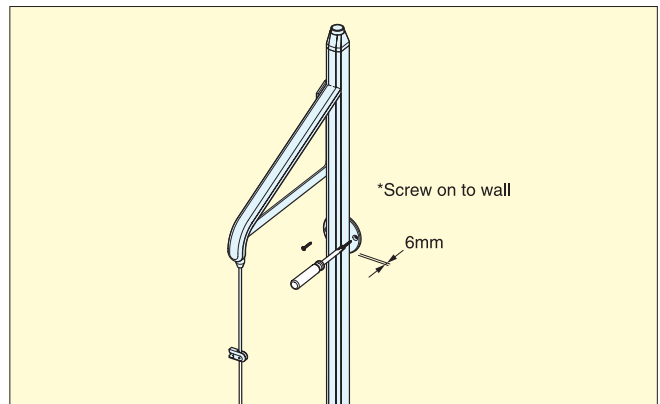
Vertical Frame Installation



Safety Pin for glass clamp (Optional)

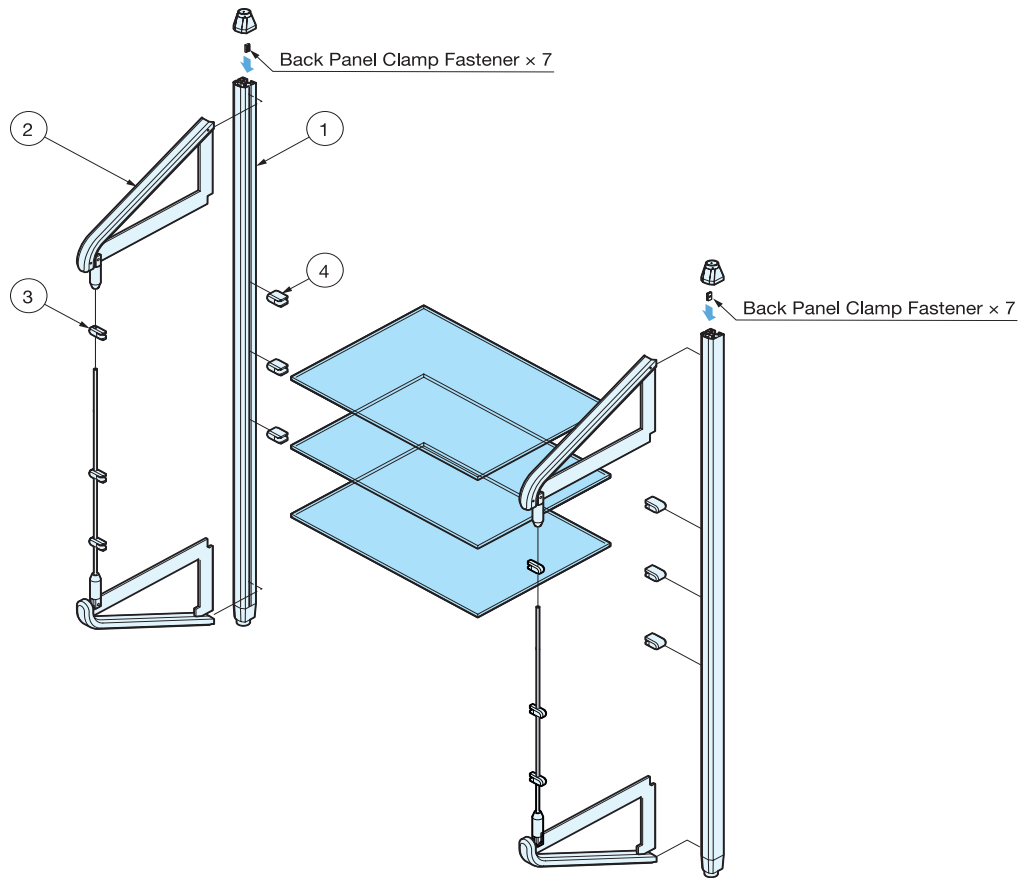


* Prevents glass slipping out from clamp



* Please refer to P.459 for Alternate Vertical Frame Installation

Detailed View



"Type B" Part Details

No.	Item No.	Part Name	Dimensions	Description
①	XL-US02-S006	Vertical Frame (1 Slot Type)		<ul style="list-style-type: none"> ● Material Aluminum, Zinc Alloy ● Finish/Color Anodized, Grey ● Length Max. Height: 2600 mm (102-3/8") (Floor to Ceiling) <p>*2 leveling legs included per frame *Double slotted frame available. Please see XL-US02-S007 on page 461 for details.</p>
②	XL-US02-S011	Type B Wire Kit		<ul style="list-style-type: none"> ● Material Aluminum, Steel, 430 Stainless Steel ● Finish/Color Matte Chrome <p>*For Main Frame 2100 mm~2500 mm</p>

No.	Item No.	Part Name	Dimensions	Description
③	XL-US01-F20	Type B Shelf Support (For Wire Shaft)		<ul style="list-style-type: none"> ● Material Zinc Alloy ● Finish/Color Matte Chrome *2 Supports necessary for 1 Shelf
④	XL-US01-B20	Type B Shelf Support (For Main Frame, 2pcs/shelf)		<ul style="list-style-type: none"> ● Material Zinc Alloy ● Finish/Color Matte Chrome *2 Supports necessary for 1 Shelf

Type "B" Optional Part Overview Please see page P.464~P.465 for details

Part Name	Wall Mounting Plate	Wall Mounting Bracket	Wall Mounting Bracket	Back Panel Clamp
Item No.	XL-US02-S010	XL-US02-S008	XL-US02-S009	4860ZN1, 4860ZN5

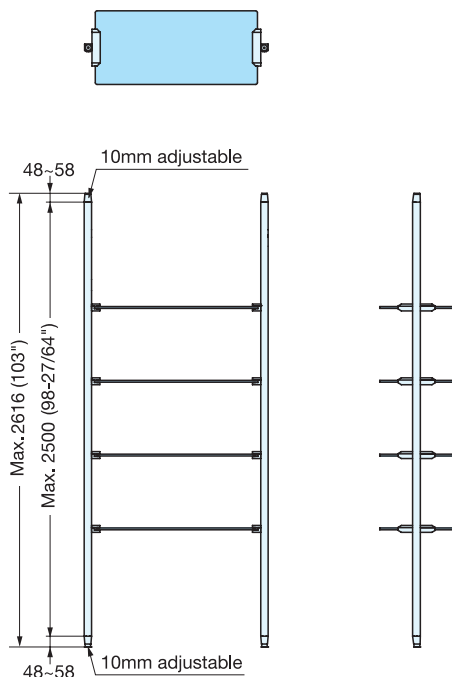
Part Name	Back Panel Clamp	Back Panel Clamp Fastener	Edge Cover
Item No.	4866ZN1, 4866ZN5	XL-US02-S013	AF-25-P01-25

UNIT SHELF TYPE "C"

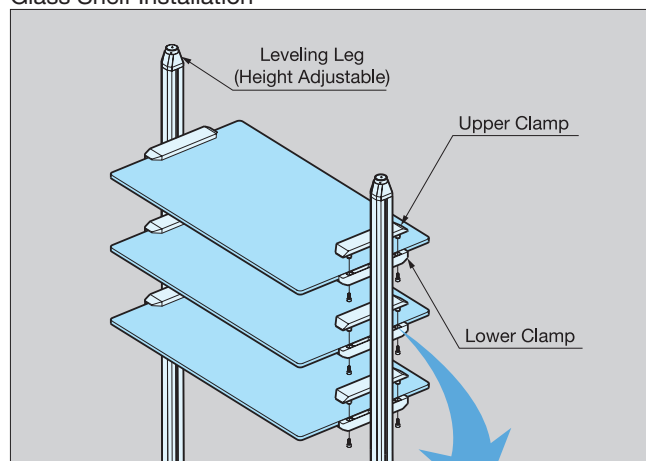
XL-US02C

SHELF & SUPPORT HARDWARE

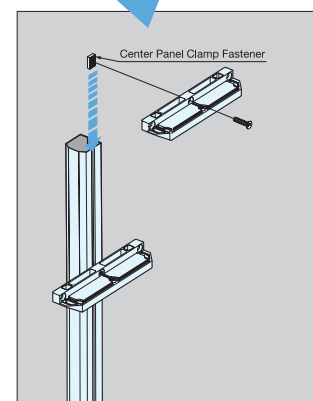
UNIT SHELF TYPE "C"



Glass Shelf Installation

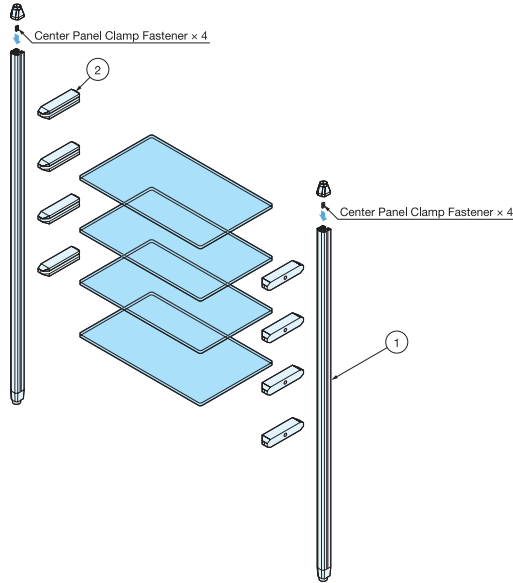


* Insert clamp fasteners before mounting leveling legs.



Glass Thickness	8 or 10 mm
Overall Height	Max. 2616 mm (103")
Glass Width	Max. 1200 mm (47-1/4") for 8 mm thick glass Max. 1500 mm (59-3/64") for 10 mm thick glass
Glass Depth	200-450 mm (7-7/8"-17-23/32")
Load Capacity	Max. 35 kg (77 lbs)/Shelf

Detailed View



Type "C" Part Details

No.	Item No.	Part Name	Dimensions	Description
-	XL-US02-S006	Vertical Frame (1 Slot Type)		<ul style="list-style-type: none"> ● Material Aluminum, Zinc Alloy ● Finish/Color Anodized, Grey ● Length Max. Height: 2600 mm (102-3/8") (Floor to Ceiling) <p>*2 leveling legs included per frame *For use as an end frame.</p>
①	XL-US02-S007	Vertical Frame (2 Slot Type)		<ul style="list-style-type: none"> ● Material Aluminum, Zinc Alloy ● Finish/Color Anodized, Grey ● Length Max. Height: 2600 mm (102-3/8") (Floor to Ceiling) <p>*2 leveling legs included per frame *For use as an intermediate frame in an installation with adjacent bays.</p>
②	XL-US01-S200	Shelf Clamp (For Glass Shelf)		<ul style="list-style-type: none"> ● Material Zinc Alloy, Elastomer ● Finish/Color Matte Chrome, Black ● Glass Thickness 8 mm, 10 mm <p>*2 Clamps necessary for 1 Shelf *Glass Shelf not included</p>

Type "C" Optional Part Overview Please see P.464~P.465 for details

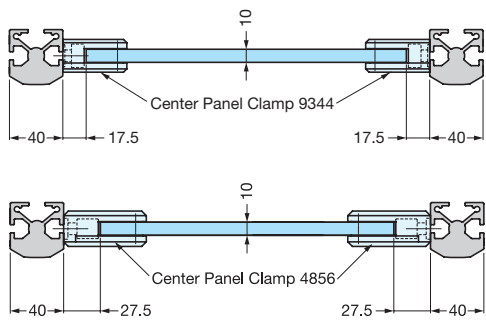
Part Name	Shelf Support (For Wood Shelf)	Shelf Edge (For Wood Shelf)	Shelf Support for Glass (Angle Adjustable)	Shelf Edge (For Glass Shelf)	Edge Cover
Item No.	XL-US02-S002	XL-US02-S014	XL-US02-S003	XL-US02-S015	AF-25-P01-25
Part Name	Center Panel Clamp	Center Panel Clamp	Center Panel Clamp Fastener	Wall Mounting Bracket	Wall Mounting Bracket
Item No.	9344VA2	4856ZN1, 4856ZN5	XL-US02-S012	XL-US02-S008	XL-US02-S009

Application Example

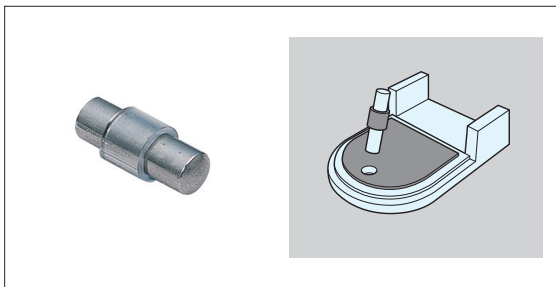


Wire kit and halogen lamp are not provided

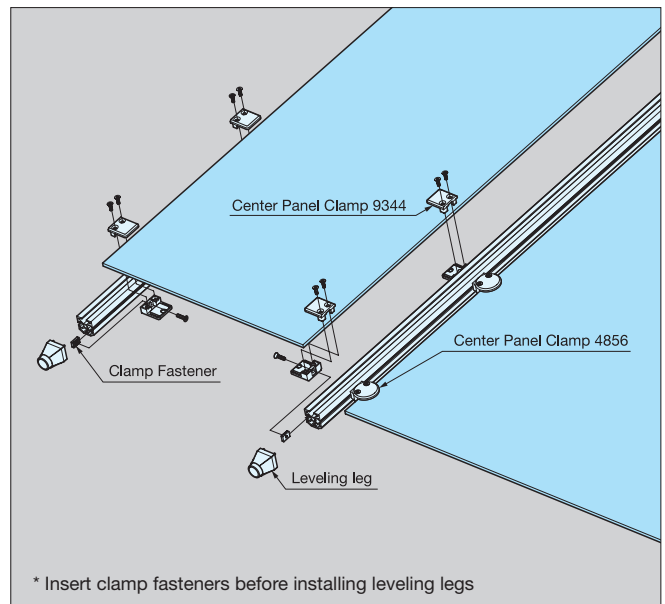
Installation with Center Panel Clamp



Safety Pin (Optional)

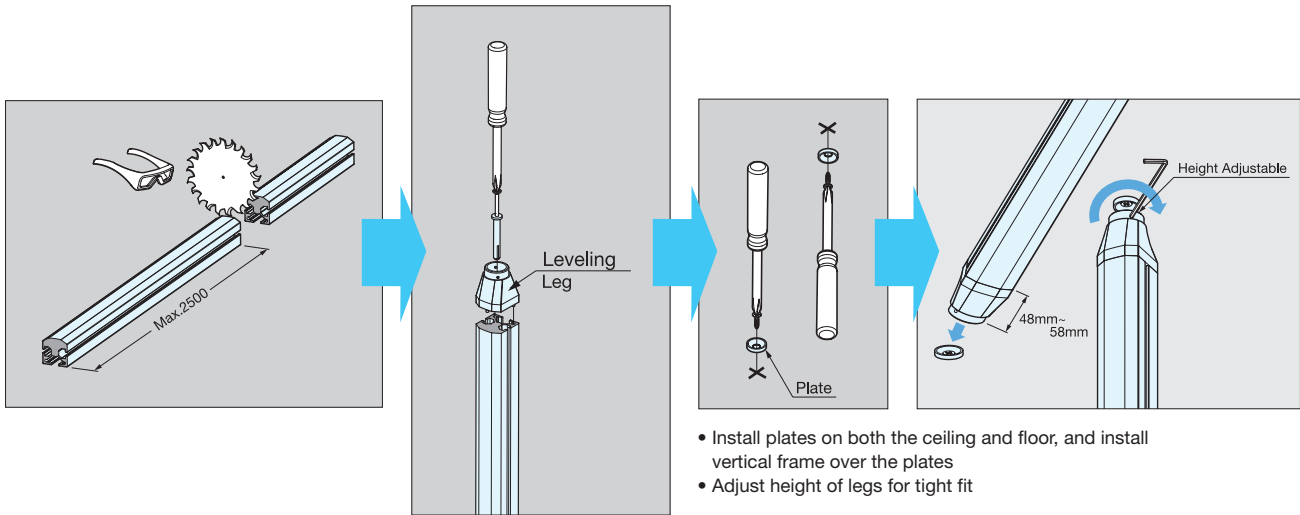


* Prevents glass from slipping out from clamp.

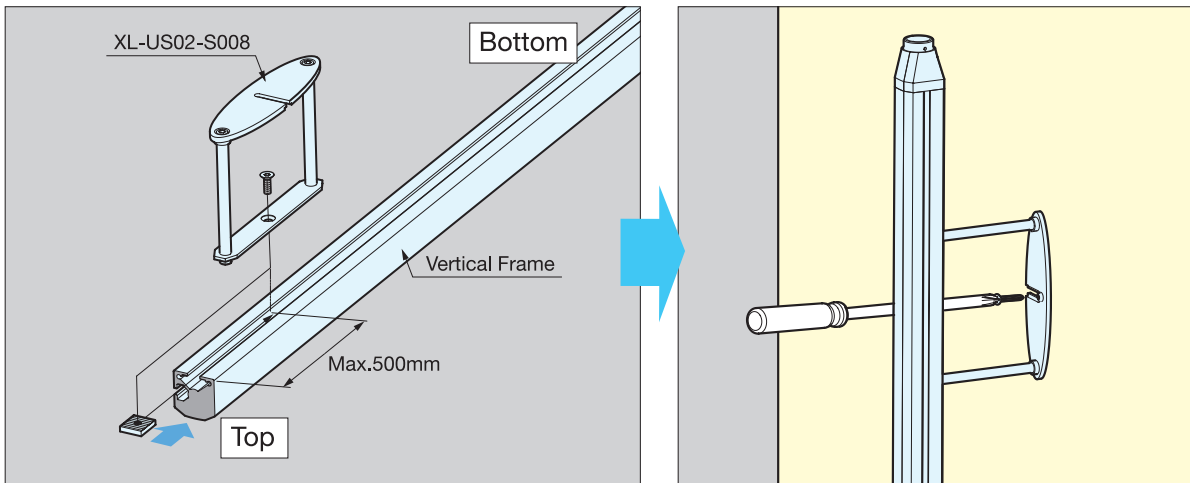


INSTALLATION (TYPE B/C)

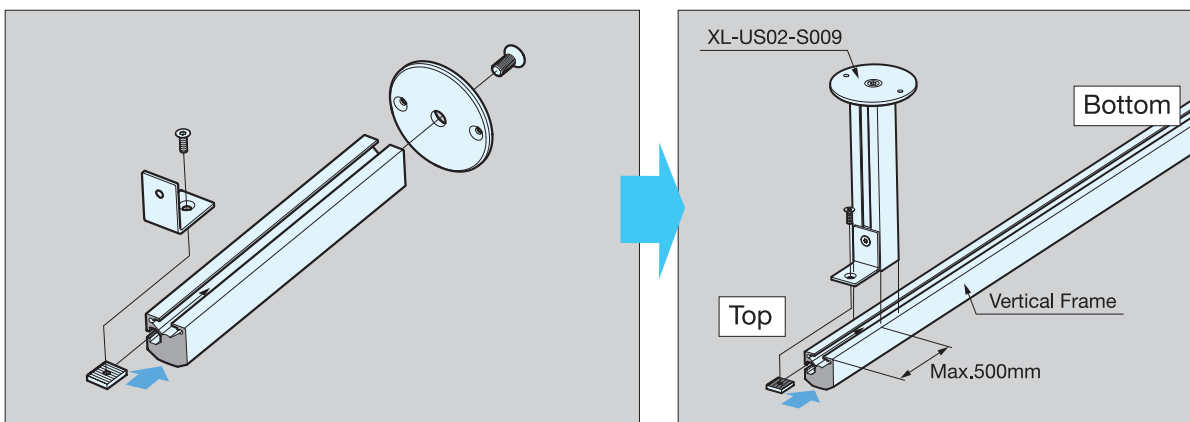
Vertical Frame Installation (For top/bottom pressure fit)



Wall Mounting Bracket Installation (1) (XL-US02-S008)



Wall Mounting Bracket Installation (2) (XL-US02-S009)



Optional Part Details (Type B/C)

No.	Item No.	Part Name	Dimensions	Description
①	XL-US02-S010	Wall Mounting Plate (For Type B)		<ul style="list-style-type: none"> ● Material Aluminum ● Finish/Color Anodized *To be used with Main Frame (1 Slot Type) *For Type B
②	XL-US02-S008	Wall Mounting Bracket		<ul style="list-style-type: none"> ● Material 304 Stainless Steel, Steel ● Finish/Color Grey
③	XL-US02-S009	Wall Mounting Bracket		<ul style="list-style-type: none"> ● Material Aluminum ● Finish/Color Anodized
④	XL-US02-S002	Shelf Support (For Wood Shelf)		<ul style="list-style-type: none"> ● Material 304 Stainless Steel ● Finish/Color Plain *Shelf not included *For Type C
⑤	XL-US02-S003	Shelf Support for Glass (Angle Adjustable)		<ul style="list-style-type: none"> ● Material 304 Stainless Steel ● Finish/Color Polished, Plain ● Glass Thickness 10 mm *Angle adjustable each 30 degrees *Glass not included *For Type C *Pre-drilled holes (countersunk) required on glass *Please order special wrench Z058 for installation
⑥	XL-US02-S014	Shelf Edge (For Wood Shelf)		<ul style="list-style-type: none"> ● Material Aluminum ● Finish/Color Anodized *Prevents items falling off from shelves *For wood shelf *To be mounted on side edge *For Type C
⑦	XL-US02-S015	Shelf Edge (For Glass Shelf)		<ul style="list-style-type: none"> ● Material Aluminum, Zinc Alloy ● Finish/Color Anodized, Matte Chrome *Prevent items from falling off *For glass shelf *To be mounted on front or back edge *For Type C

No.	Item No.	Part Name	Dimensions	Description
⑧	9344VA2	Center Panel Clamp		<ul style="list-style-type: none"> ● Material 316 Stainless Steel ● Finish/Color Satin ● Panel Thickness 10 mm *Holds panel between Main Frames
⑨	4856ZN1, 4856ZN5	Center Panel Clamp		<ul style="list-style-type: none"> ● Material Zinc Alloy ● Finish/Color Matte Chrome (ZN1) Chrome (ZN5) ● Panel Thickness 10 mm *Holds panel between Main Frames
⑩	XL-US02-S012	Center Panel Clamp Fastener		<ul style="list-style-type: none"> ● Material 304 Stainless Steel, Steel ● Finish/Color Plain *Nut/Bolt to fasten Center Panel Clamp and Main Frame
⑪	4860ZN1, 4860ZN5	Back Panel Clamp		<ul style="list-style-type: none"> ● Material Zinc Alloy ● Finish/Color Matte Chrome (ZN1) Chrome (ZN5) ● Panel Thickness 8-12 mm *Holds panel between Main Frames
⑫	4866ZN1, 4866ZN5	Back Panel Clamp		<ul style="list-style-type: none"> ● Material Zinc Alloy ● Finish/Color Matte Chrome (ZN1) Chrome (ZN5) ● Panel Thickness 8-12 mm *Holds panel between Main Frames (2 Slot Type)
⑬	XL-US02-S013	Back Panel Clamp Fastener		<ul style="list-style-type: none"> ● Material 304 Stainless Steel, Steel ● Finish/Color Plain *Nut/Bolt to fasten Back Panel Clamp and Main Frame
⑭	AF-25-P01-25	Edge Cover		<ul style="list-style-type: none"> ● Material Elastomer ● Finish/Color Light Grey ● Length 2500 mm (98-27/64")

LEVEL ADJUSTABLE SHELVING SYSTEM

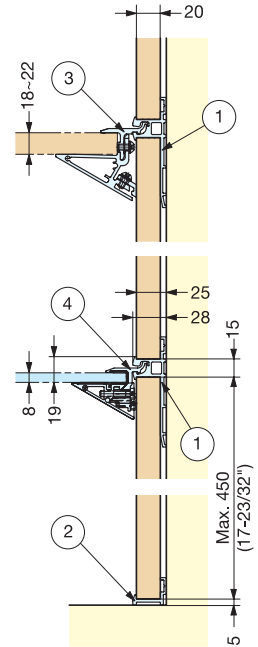
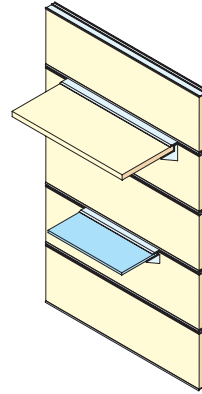
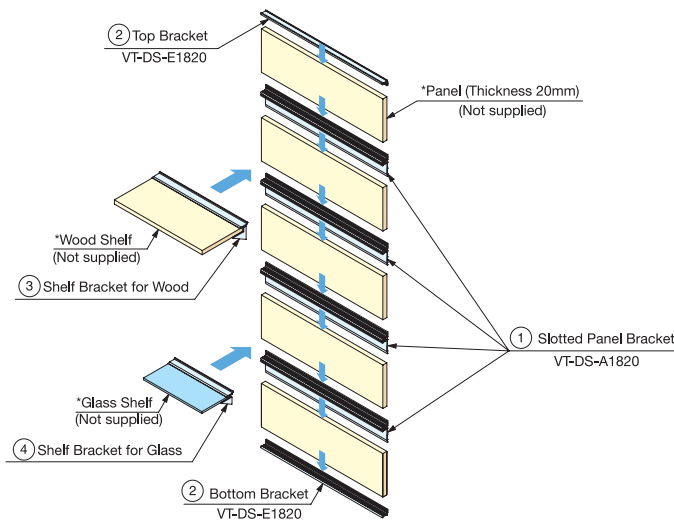
VT-DS

SHELF & SUPPORT HARDWARE

LEVEL ADJUSTABLE SHELVING SYSTEM



- Slotted shelving system for flexible layout.
- Shelves can be installed anywhere in the slot.
- Simple and easy installation.
- Use with desired panel to match the surrounding design.
- Wall Panel Size:
 Thickness-20 mm
 Width-Max. 1820 mm (71-21/32")
 Height-105~450 mm (4-1/8"~17-23/32")
 * Panel not included.
- Shelf bracket for wood or glass available. (Shelf board not included).
- Level adjustable.



No.	Item No.	Part Name	Dimensions	Material	Finish/Color	Length	Wall Panel Thickness	Shelf Board Size			Load Capacity (kg)
								Width	Depth	Thickness	
①	VT-DS-A1820	Slotted Panel Bracket		Aluminum	Anodized	1820 mm	20 mm	-	-	-	-
②	VT-DS-E1820	Top/Bottom Bracket						-	-	-	-
③	VT-DS-X-450 VT-DS-X-800	Shelf Bracket For Wood		Aluminum ABS	Anodized Grey	450 mm 800 mm	-	450~600 mm	150~300 mm	18~22 mm	40 kg (88 lbs)
④	VT-DS-G-450 VT-DS-G-685	Shelf Bracket For Glass						450~600 mm 685~900 mm	150~300 mm	8 mm	10 kg (22 lbs)

LEVEL ADJUSTABLE SHELVING SYSTEM

VT-DF

SHELF & SUPPORT HARDWARE

LEVEL ADJUSTABLE SHELVING SYSTEM



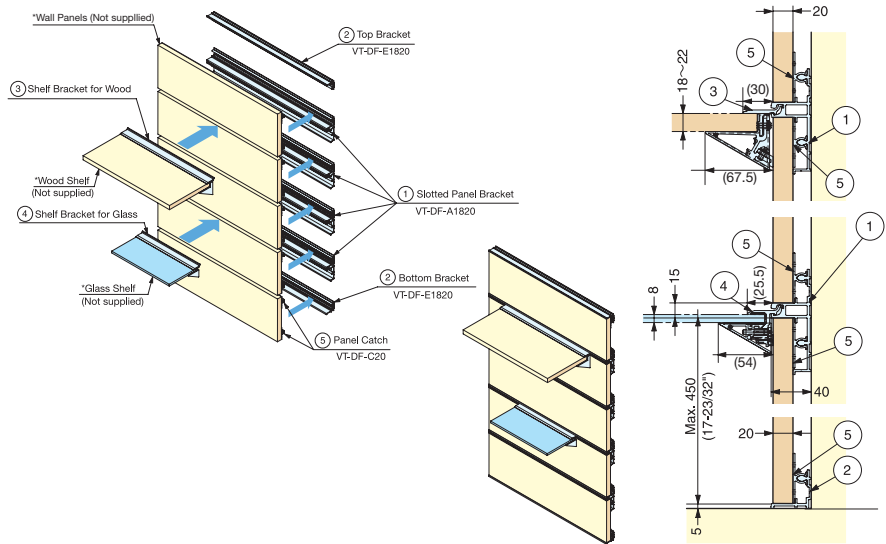
- Slotted shelving system for flexible layout.
- Shelves can be installed anywhere in the slot.
- Simple and easy installation.
- Use with desired panel to match the surrounding design.
- Snap-in type catch for easy panel installation.
- Wall Panel Size:
Thickness-20 mm
Width-Max. 1820 mm (71-21/32")
Height-105~450 mm (4-1/8"-17-23/32")
*Panel not included.
- Designed to have space behind panels for electric wiring, and for rotating/seasonal displays.
- Shelf bracket for wood or glass available. (Shelf board not included.)
- Level adjustable.

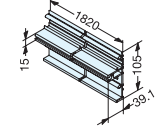
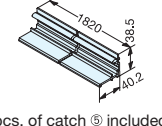
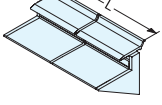
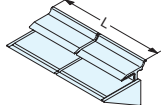
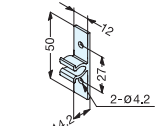


Snap in panels installed



Snap in panels removed



No.	Item No.	Part Name	Dimensions	Material	Finish/Color	Length	Wall Panel Thickness	Shelf Board Size			Load Capacity (kg)
								Width	Depth	Thickness	
①	VT-DF-A1820	Slotted Panel Bracket	 8pcs. of catch ⑤ included.	Aluminum	Anodized	1820 mm	20 mm	-	-	-	-
②	VT-DF-E1820	Top / Bottom Bracket	 8pcs. of catch ⑤ included.	Aluminum	Anodized	1820 mm	20 mm	-	-	-	-
③	VT-DS-X-450	Shelf Bracket For Wood		Aluminum	Anodized Grey	450 mm	-	450~600 mm	150~300 mm	18~22 mm	40 kg (88 lbs)
	800 mm					800~900 mm					
④	VT-DS-G-450	Shelf Bracket For Glass		Aluminum	Anodized Grey	450 mm	-	450~600 mm	150~300 mm	8 mm	10 kg (22 lbs)
	685 mm					685~900 mm					
⑤	VT-DF-C20	Panel Catch		Polyacetal	Natural	-	-	-	-	-	-

WALL SHELVING SYSTEM

FLUQS® 250/750

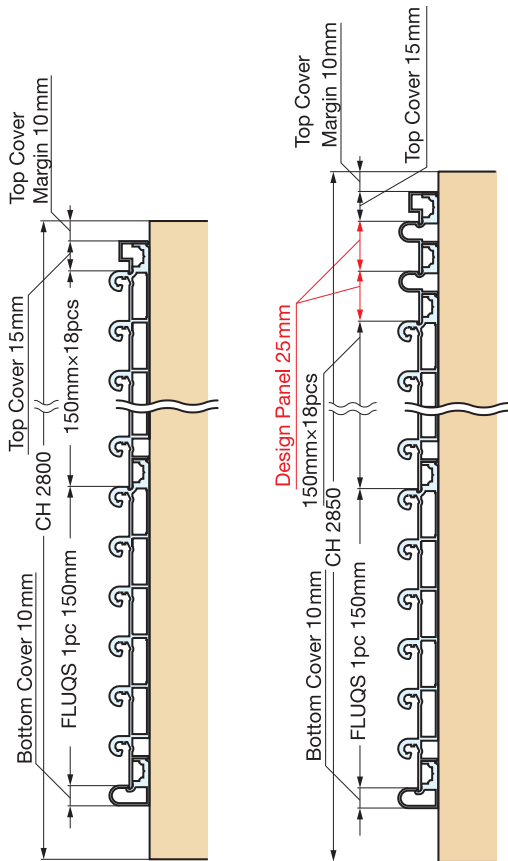
SHELF & SUPPORT HARDWARE

WALL SHELVING SYSTEM

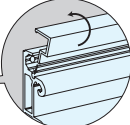
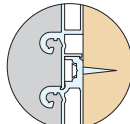
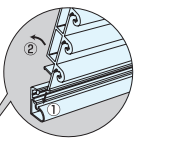
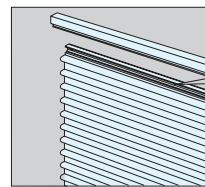
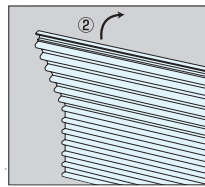
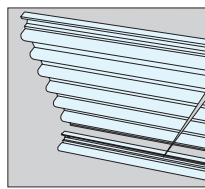
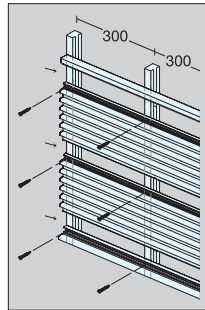


Installation Example

Ceiling Height (CH) : 2800 mm Ceiling Height (CH) : 2850 mm



2 design panels are used to cover 50 mm space in case of ceiling height 2850 mm.

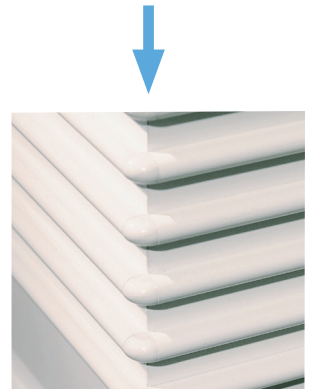
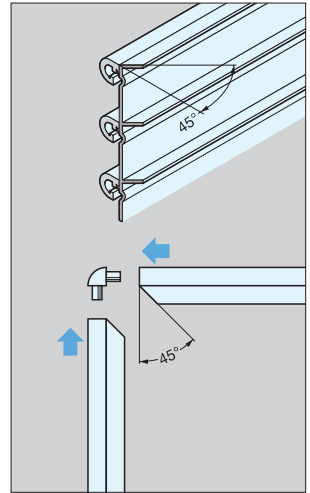


Install the bottom rail ①. Level the bottom rail before fastening. Insert the profile ② into the bottom rail. Fasten with screws.

Install the profile ② until it reaches required height. The profile will cover the screws.

Snap-in the top rail to cover all the screws.

Corner Installation



Corner Example

Part Details

No.	Item No.	Part Name	Dimensions	Material	Finish/Color	Length	Description
①	EX001-21	Main Panel FLUQS 250		Aluminum	Anodized	1820 mm (71-21/32")	<ul style="list-style-type: none"> ● Basic Aluminum Wall Panel (Rail pitch 25 mm) ● Screw hole pitch 300 mm
②	EX004-21	Main Panel FLUQS 750		Aluminum	Anodized		<ul style="list-style-type: none"> ● Basic Aluminum Wall Panel (Rail pitch 75 mm) ● Screw hole pitch 300 mm
③	EX007-21	Top Cover		Aluminum	Anodized		<ul style="list-style-type: none"> ● Top Cover Track ● Covers the screw heads
④	EX008-21	Bottom Rail		Aluminum	Anodized		<ul style="list-style-type: none"> ● Bottom Track ● Screw hole pitch 300 mm
⑤	EX905-21	End Cap (1Way Type)		ABS	Matte Silver	-	-
⑥	EX906-21	End Cap (2Way Type)		ABS	Matte Silver	-	-
⑦	EX701-21	Design Panel 150		Aluminum	Anodized	1820 mm (71-21/32")	<ul style="list-style-type: none"> ● Panel with design pattern same as FLUQS 250 (25 mm rail pitch type) ● No Slot for Hooks/Shelves ● For space where the design pattern is needed but hooks/shelves are not necessary. ● Screw hole pitch 300 mm
⑧	EX709-21	Design Panel 25		Aluminum	Anodized		<ul style="list-style-type: none"> ● Panel to adjust overall height (25 mm) ● No Slot for Hooks/Shelves ● Screw hole pitch 300 mm
⑨	EX009-21	Connector		Aluminum	Anodized	50 mm	<ul style="list-style-type: none"> ● Used to align Panels ● Use 2 pcs per Panel (2 pcs per set)
⑩	EX901-21	Corner Angle		Aluminum	Anodized	3000 mm (118-7/64")	<ul style="list-style-type: none"> ● Corner plate to cover the edge of aluminum panel. ● Screws not included

*Please see P.472~P473 for accessories.

WALL SHELVING SYSTEM

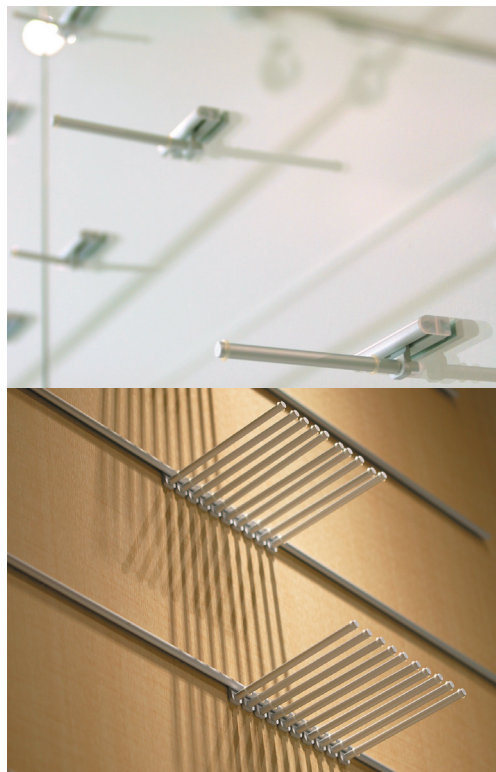
FLUQS® 25/ONE

SHELF & SUPPORT HARDWARE

WALL SHELVING SYSTEM



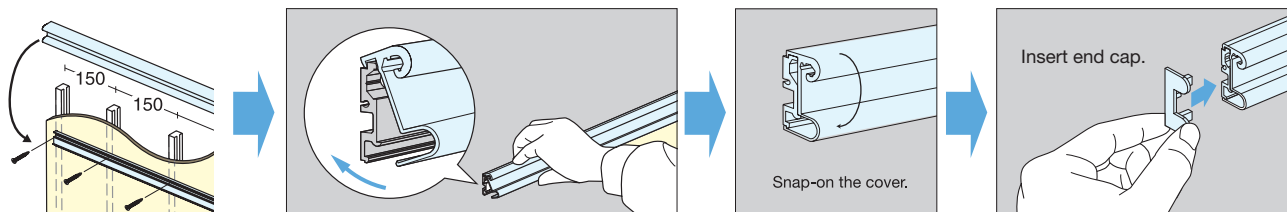
FLUQS 25



FLUQS ONE

FLUQS 25

Installation



FLUQS25 Part Details

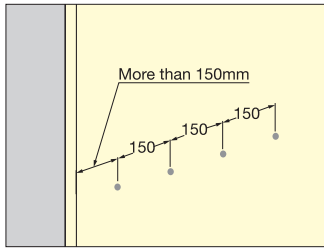
No.	Item No.	Part Name	Dimensions	Material	Finish/Color	Length	Description
①	EX022-21	FLUQS 25		Aluminum	Anodized	1820 mm (71-21/32")	<ul style="list-style-type: none"> ● Single Aluminum Profile. ● Easy installation type ● End Cap 2 pcs included ● Screw hole pitch 150 mm
②	EX025-31	End Cap for FLUQS 25		ABS	Grey	-	<ul style="list-style-type: none"> ● Non-handed (2pcs per set)

Please see P.472-473 for accessories.

FLUQS ONE

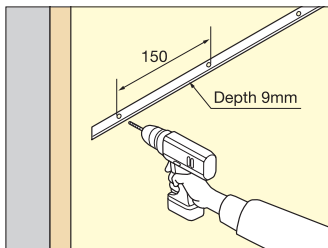
Installation

Glass/Acrylic, Surface Mount

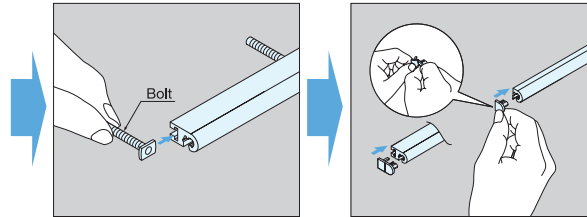


*Minimum Thickness:
Glass/Acrylic 10 mm
*Use accessories "For FLUQS ONE Surface Mount". (Please see P.513 for details)
When using other accessories, adaptor (sold separately) is required.

Wood Panel, Recess Mount

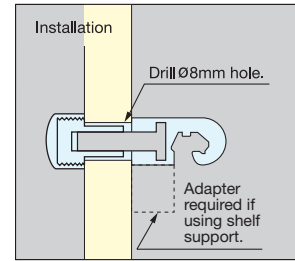


*Minimum Thickness:
Wood 24 mm

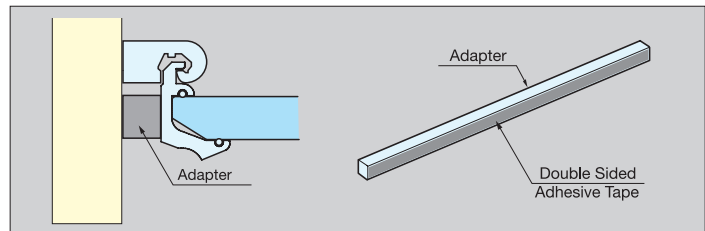
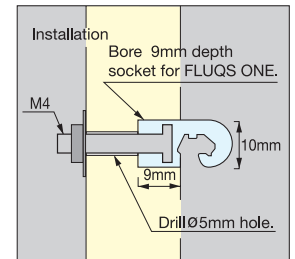


Adapter (sold separately) is required to attach shelves when FLUQS ONE is installed on a surface. (See p.473)

Plastic Panel



Wood Panel



FLUQS ONE Part Details

No.	Item No.	Part Name	Dimensions	Material	Finish/Color	Length	Description
①	EX012-21	FLUQS ONE		Aluminum	Anodized	50 mm (1-31/32")	<ul style="list-style-type: none"> ● Single Aluminum Profile ● Simple and flexible layout design ● End Cap 2 pcs included ● For Recess Mount, cut the End Cap at the cut line and use the ※1 shape part.
	EX010-21					1820 mm (71-21/32")	
②	EX018-45	End Cap for FLUQS ONE		Polypropylene	Plain	-	<ul style="list-style-type: none"> ● For Recess Mount, cut the End Cap at the cut line and use the ※2 shape part. (2 pcs per set)
③	EX019-25	FLUQS ONE Screw Set for Wood		Steel	Chromate	-	<ul style="list-style-type: none"> ● Fastener to attach FLUQS ONE to Wood Panel
④	EX020-20	FLUQS ONE Screw Set for Plastic Panel		Steel	Silver	-	<ul style="list-style-type: none"> ● Fastener to attach FLUQS ONE to Glass Panel

Please see P.472~473 for accessories.

ACCESSORIES

SHELF & SUPPORT HARDWARE

WALL SHELVING SYSTEM

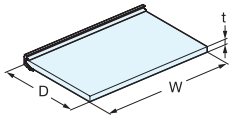
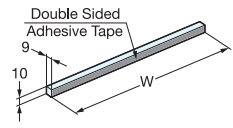
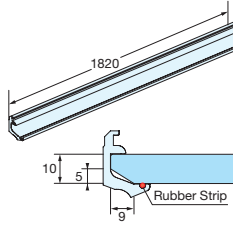
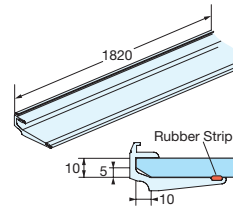
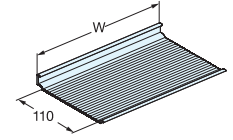
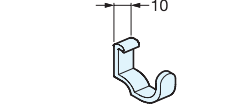
Hook Series (For FLUQS 250/750/25/ONE Recess Mount)

No.	Item No.	Part Name	Dimensions	Material	Finish/Color	Length	Load Capacity
①	EX030-20	Hook (ø3)		Steel	Chrome	15 (19/32")	1 kg (2.2 lbs)
	EX031-20					30 (1-3/16")	
	EX032-20					55 (2-11/64")	
	EX030-07				Matte Silver	15	
	EX031-07					30	
	EX032-07					55	
②	EX035-20	Hook (ø4)		Steel	Chrome	50 (1-31/32")	1 kg (2.2 lbs)
	EX036-20					75 (2-61/64")	
	EX037-20					100 (3-15/16")	
	EX035-07				Matte Silver	50	
	EX036-07					75	
	EX037-07					100	
③	EX040-20	Hook (ø6)		Steel	Chrome	50	2 kg (4.4 lbs)
	EX041-20					100	
	EX042-20					150	
	EX040-07				Matte Silver	50	
	EX041-07					100	
	EX042-07					150	
④	EX046-20	Hook (ø9)		Steel	Chrome	100 (3-15/16")	3 kg (6.6 lbs)
	EX047-20					150 (5-29/32")	
	EX048-20					200 (7-7/8")	
	EX046-07				Matte Silver	100	
	EX047-07					150	
	EX048-07					200	

Hook Series (For FLUQS ONE Surface Mount only)

No.	Item No.	Part Name	Dimensions	Material	Finish/Color	Length	Load Capacity
①	EX051-20	Hook (ø3)		Steel	Chrome	15	1 kg (2.2 lbs)
	EX052-20					30	
	EX053-20					55	
②	EX056-20	Hook (ø4)		Steel	Chrome	50	1 kg (2.2 lbs)
	EX057-20					75	
	EX058-20					100	
③	EX061-20	Hook (ø6)		Steel	Chrome	50	2 kg (4.4 lbs)
	EX062-20					100	
	EX063-20					150	
④	EX067-20	Hook (ø9)		Steel	Chrome	100	3 kg (6.6 lbs)
	EX068-20					150	
	EX069-20					200	

Shelf Series

No.	Item No.	Part Name	Dimensions	Material	Finish/Color	W	D	t	Description					
①	EX201-41	Acrylic Shelf Set		Aluminum (Bracket) Acrylic (Shelf)	Anodized (Bracket) Light Green (Shelf)	300 (11-13/16")	150 (5-29/32")	10	Load Capacity 2.4 kg (5.3 lbs)					
	EX202-41						200 (7-7/8")							
	EX203-41						250 (9-27/32")							
	EX206-41											150		Load Capacity 3.6 kg (7.9 lbs)
	EX207-41										450 (17-23/32")	200		
	EX208-41										250			
	EX211-41											150		Load Capacity 4.8 kg (10.6 lbs)
	EX212-41										600 (23-5/8")	200		
	EX213-41										250			
②	EX204-41	Adapter		Acrylic	-	300	-	-	For Shelf Holder when used with FLUQS ONE surface mount profile and bracket (with double sided adhesive tape)					
	EX209-41					450								
	EX214-41					600								
③	EX026-21	Shelf Holder		Aluminum	Anodized	1820 (71-31/32")	10	9	*For 10 mm (3/8") glass *Maximum shelf depth: 250 mm (9-13/16") *For permanent installation, apply caulk to bracket and glass/acrylic *2 rubber strips (clear, 1820 mm) included *Glass not included, chamfer required as shown Load Capacity 14.4 kg (31.7 lbs)					
④	EX027-21	Shelf Holder		Aluminum	Anodized	1820 (71-31/32")	-	-	*For 10 mm (3/8") glass *Maximum shelf depth: 450 mm (17-3/4") *For permanent installation, apply caulk to bracket and glass/acrylic *2 clear rubber strips (1820 mm) included *Glass not included, chamfer required as shown Load Capacity 30 kg (66 lbs)					
⑤	EX271-21	Shelf Plate		Aluminum	Anodized	300	-	-	Load Capacity 5 kg (11 lbs)					
	EX276-21					450								
⑥	EX090-21	Mini Hook		Aluminum	Anodized	10 (25/64")	-	-	Load Capacity 3 kg (6.6 lbs)					

*Additional end caps for shelf holders available by special order.

GLASS LOUVER SYSTEM

SPECIAL ORDER ITEM

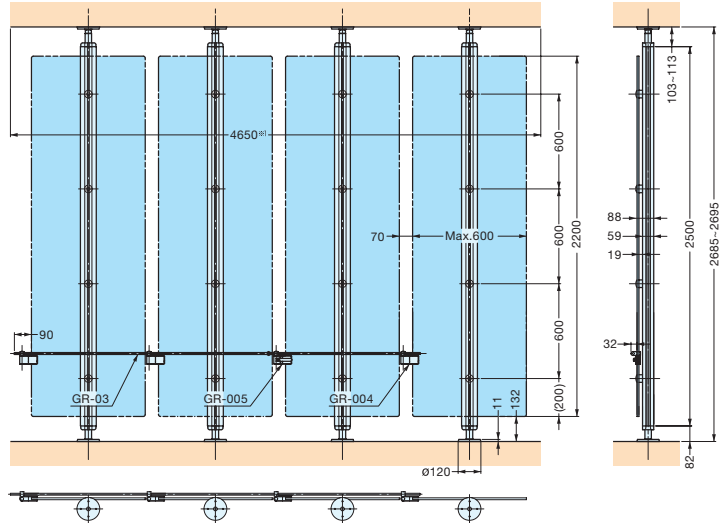
GR

SHELF & SUPPORT HARDWARE

GLASS LOUVER SYSTEM SPECIAL ORDER ITEM



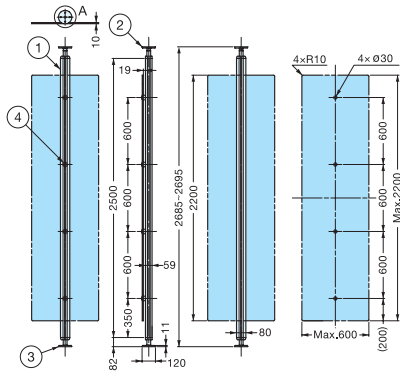
- Designed for interior use with tempered glass or decorative panels (not included).
- Accessories to synchronize panel movement are available.
- Use as partitions for break rooms, lobbies or waiting areas.



*1 Max. opening width in case four glasses open

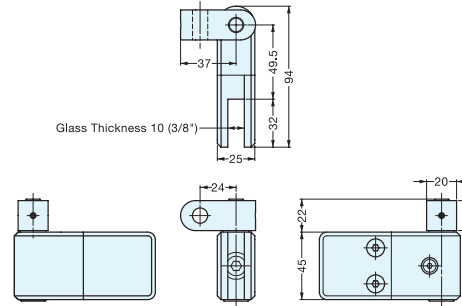
Max. Glass Width	600 mm (23-5/8")
Max. Glass height	2200 mm (86-5/8")
Glass Thickness	10 mm (3/8")

■ Glass Louver Frame GR-001



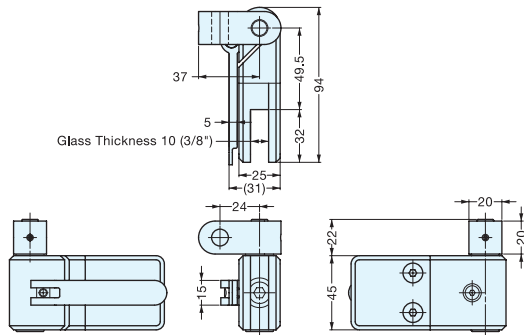
Item No.	Material
GR-001	Aluminum (Frame)/304, 316 Stainless Steel

■ Stainless Synchro GR-004



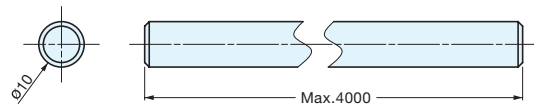
Item No.	Material
GR-004	304 Stainless Steel

■ Stainless Synchro Spacer GR-005



Item No.	Material
GR-005	304 Stainless Steel

■ Stainless Synchro Rod GR-003



Item No.	Material
GR-003	304 Stainless Steel