

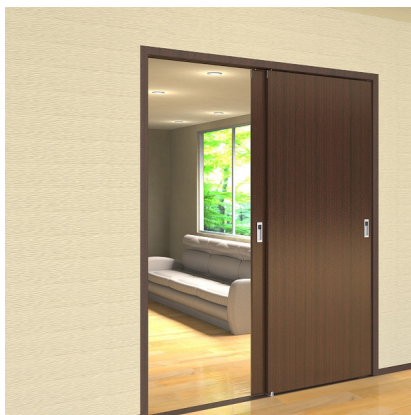


SLIDING & FOLDING DOOR HARDWARE

SLIDING DOOR HARDWARE
SWING DOOR HARDWARE
FOLDING DOOR HARDWARE
FLUSH SLIDING DOOR HARDWARE

SLIDING & FOLDING DOOR HARDWARE

FD SERIES / SOFT CLOSE OPTION



P.492~499
Max. Door Weight 66 lbs

FD30



P.500~503
Max. Door Weight 110 lbs

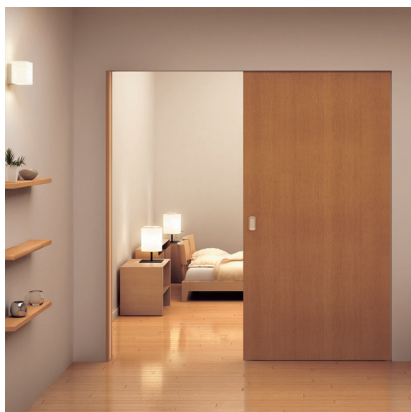
FD50



P.504~507
Max. Door Weight 176 lbs

FD80

SLIDING & FOLDING DOOR HARDWARE



P.508~510
Max. Door Weight 187 lbs, 275 lbs

KS-85, 125



P.532~535
Self and Soft Close Folding Door

SFD



P.536~541
Slidable Folding Door

FD30-F

SPECIALITY DOOR HARDWARE



P.512~513
Self Closing Door

LM-80



P.514~515
Lateral Opening Door

FAD-54/54L

MonoFlat FAD™



P.516~517
Flush Closing Door

MFU

MonoFlat UNISON

ALUMINUM FRAME DOOR HARDWARE



P.518~520
Swing Open

AF-25D



P.522~525
Sliding Door / Soft Close Option

FD80-AF

GLASS SLIDING DOOR HARDWARE



P.526~527
Max. Glass Door Weight 286 lbs

KSPG



P.528~529
Max. Glass Door Weight 132 lbs, 198 lbs

KSUG



P.530~531
Self Closing

LM-80G

FD SLIDING DOOR SYSTEM - Overview

SLIDING & FOLDING DOOR HARDWARE



FD30



FD50



FD80

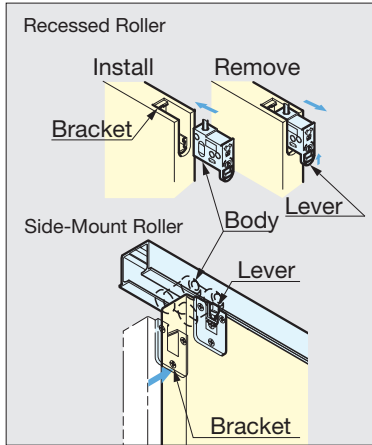
	Type	FD30				FD50				FD80			
		Standard Sliding		One-way Soft Close	Two-way Soft Close	Standard Sliding		Two-way Soft Close		Standard Sliding		Two-way Soft Close	
Roller		Recessed	Side Mount	Recessed	Recessed	Recessed	Top Surface	Recessed	Top Surface	Top Recessed	Top Surface	Top Recessed	Top Surface
Door	Weight	Max. 66 lbs (30 kg)				Max. 110 lbs (50 kg)				Max. 176 lbs (80 kg)			
	Thickness (Min.)	1"	1-1/8"	1"	1"	1-3/16"	1"	1-3/16"	1-3/8"	1-1/4"	1-3/8"	1-1/4"	
	Width	Max. 39-3/8"		20"-39-3/8"	23-1/4"-39-3/8"	Max. 59"-1/16"		26-3/4"-59-1/16"		Max. 59-1/16"		30-7/8"-59-1/16"	
	Height	Max. 2400 (94-1/2")				Max. 2400 (94-1/2")				Max. 2500 (98-7/16")			

FD SLIDING DOOR SYSTEM - OVERVIEW

UPPER ROLLER SELECTION GUIDE

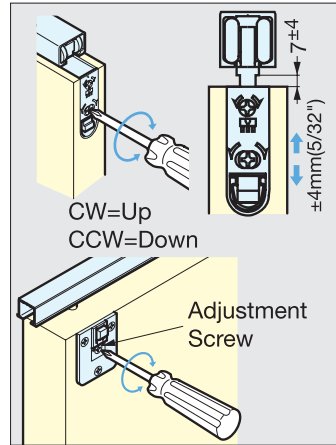
	Type	Installation	Advantage
<p>RECESSED</p>	FD30 FD50	Snap-In	<ul style="list-style-type: none"> • Easy door installation and adjustment • Adjustment by phillips head screwdriver • Small gap between door and upper track
<p>SIDE MOUNT</p>	FD30	Snap-In	<ul style="list-style-type: none"> • Easy door installation and adjustment • Adjustment by phillips head screwdriver • Small gap between door and upper track
<p>TOP SURFACE</p>	FD50 FD80	Easy Hang No tool required	<ul style="list-style-type: none"> • Easy door installation and adjustment • No door boring required
<p>TOP RECESSED</p>	FD80	Easy Hang No tool required	<ul style="list-style-type: none"> • Easy door installation and adjustment • Small gap between door and upper track

■ Door Installation



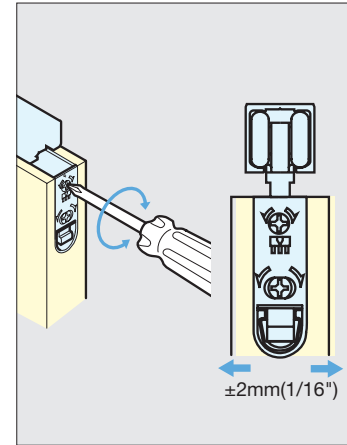
Insert Bracket to hang door.
To remove door, click the lever
and pull out the Bracket.

■ Height Adjustment



Simply turn the adjustment
screw with a screwdriver.
±4mm (5/32") adjustable.

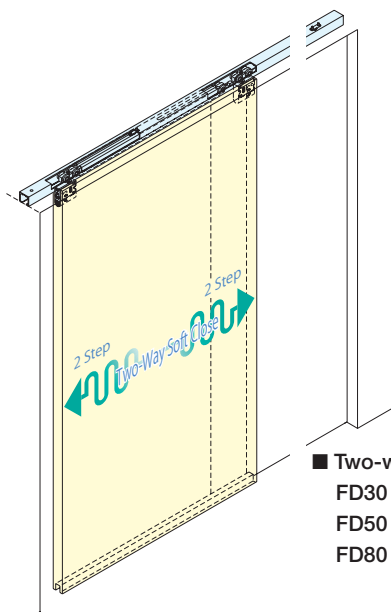
■ Side Adjustment



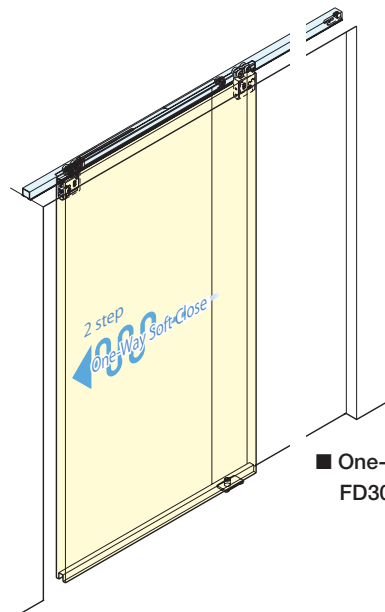
Simply turn the adjustment
screw with a screwdriver.
±2mm (1/16") adjustable.

■ Soft Closer Mechanism

<p>Soft Close Unit</p> <p>2 Step sequential soft close motion</p>	<ul style="list-style-type: none"> • Soft closer mechanism integrated in upper roller • One-Way or Two-Way soft closer unit in single unit
<p>Long soft close stroke (4")</p> <p>Soft close option</p>	<ul style="list-style-type: none"> • 2 step sequential motion First stage - Damper catches and slows the door Second stage - Damper soft closes the door



■ Two-way soft close
FD30
FD50
FD80



■ One-way soft close
FD30

SLIDING DOOR SYSTEM (Door Weight 66 lbs)

FD30

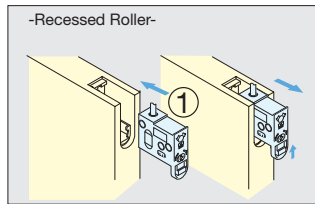
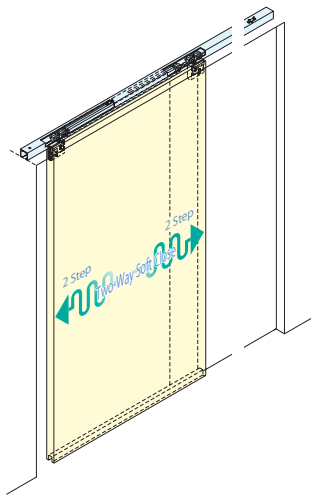
SLIDING & FOLDING DOOR HARDWARE



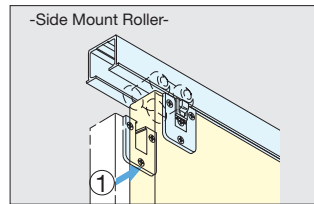
Type	FD30			
	Standard Sliding		One-way Soft Close	Two-way Soft Close
Roller	Recessed	Side Mount	Recessed	Recessed
Door Weight	Max. 66 lbs (30 kg)			
Door Thickness (Min.)	1"(24 mm)	1-1/8"(28 mm)	1"(24 mm)	
Door Width	Max. 39-3/8" (1000 mm)		20"~39-3/8" (510~1000 mm)	23-1/4"~39-3/8" (590~1000 mm)
Door Height	Max.94-1/2" (2400 mm)			

- Thin profile allows flexible design on various application
- Soft-Close Type available by selecting each roller type
- Various parts available for many applications
- *Designed for interior use, not exterior.

■ Door Installation

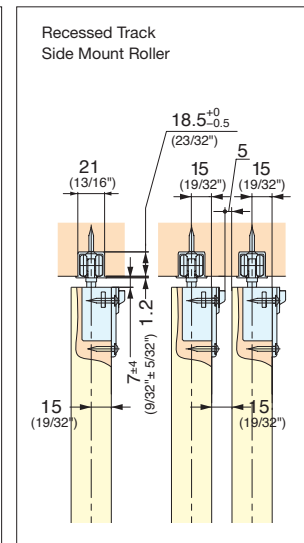
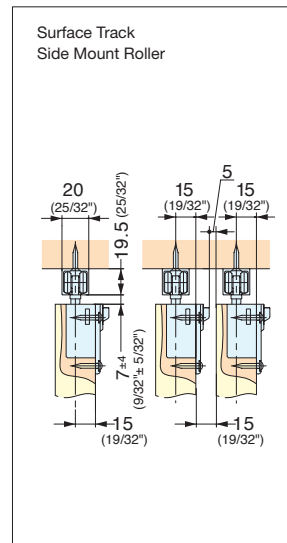
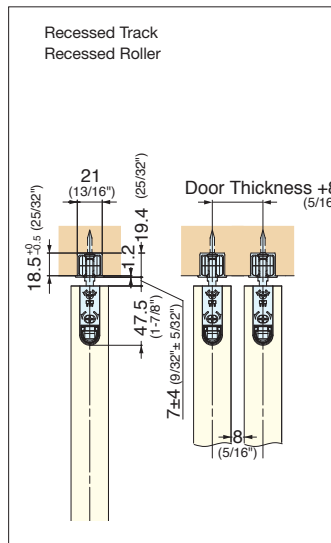
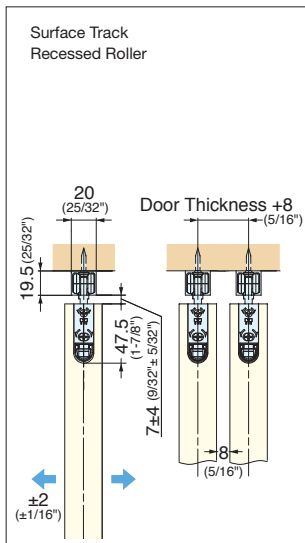
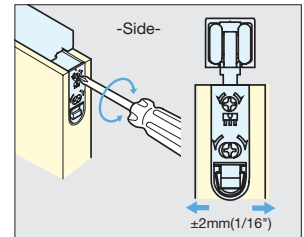
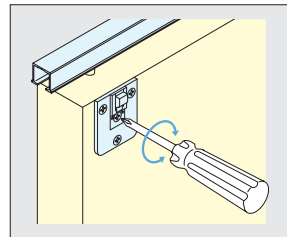
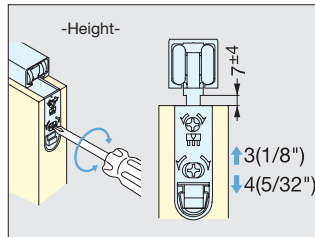


① Snap-in



① Snap-in







■ Adjustment (With Phillips Screwdriver)



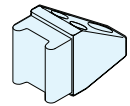
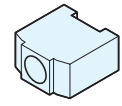
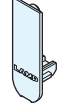

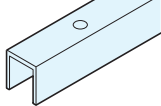
SLIDING DOOR SYSTEM (DOOR WEIGHT 66 LBS)

Parts Set (per door)		Necessary Parts	
		Please refer to "Qty [a]-[d]" for parts included in each set.	
	Item No.	Description	
		Roller	Function
[a]	FD30-DHCP	Recessed	Two Way Soft-Close
[b]	FD30-HCP	Recessed	One Way Soft-Close
[c]	FD30-HHP	Recessed	Standard Sliding
[d]	FD30-HUP	Side-Mount	Standard Sliding

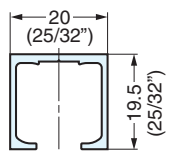
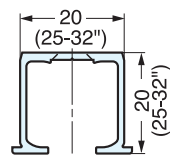
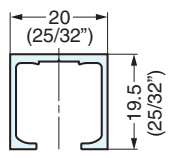
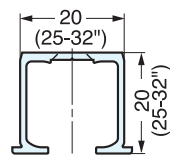
Parts Included

No.	Qty				Part Name	Description
	[a]	[b]	[c]	[d]		
1	1 pc	-	-	-	Recessed-Roller Soft-Closer (Two-Way)  FD30-WRH-DSC	<ul style="list-style-type: none"> Material Zinc Alloy / Polyacetal Finish Yellow Zinc Chromate / Light Brown
2	-	1 pc	-	-	Recessed-Roller Soft-Closer (One-Way)  FD30-WRH-SC	<ul style="list-style-type: none"> Material Zinc Alloy / Polyacetal Finish Yellow Zinc Chromate / Light Brown
3	1 pc	1 pc	2 pcs	-	Recessed-Roller Standard Sliding  FD30-WRH	<ul style="list-style-type: none"> Material Zinc Alloy / Polyacetal Finish Yellow Zinc Chromate / Light Brown
4	-	-	-	2 pcs	Side-Mount Roller Standard Sliding  FD30-WRU	<ul style="list-style-type: none"> Material Steel / Polyacetal Finish Yellow Zinc Chromate / Brown
5	1 pc	1 pc	1 pc	1 pc	Floor Guide  FD30-HBG	<ul style="list-style-type: none"> Material Steel / Polyamide Finish Yellow Zinc Chromate / Light Brown
6	-	1 pc	2 pcs	2 pcs	End Stopper  FD30-HTST-DB	<ul style="list-style-type: none"> Material Steel / Polyacetal Finish Yellow Zinc Chromate / Brown

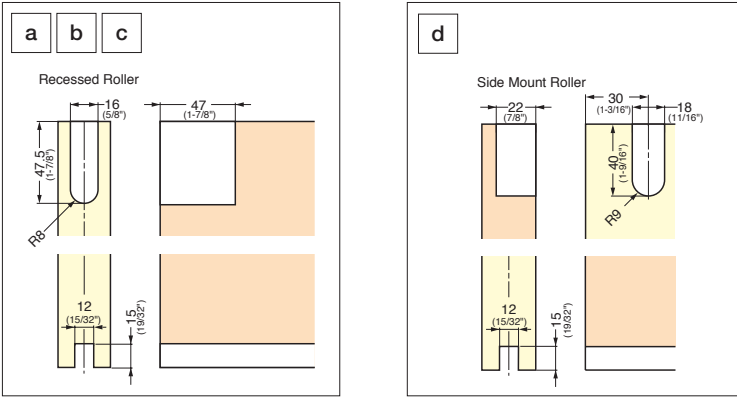
Optional Parts

	Part Name	Description
7	Door Stopper  FD30-HTKY	<ul style="list-style-type: none"> Material Zinc Alloy / Rubber Finish / Grey
8	Stopper Block  FD30-HSB	<ul style="list-style-type: none"> Material / Polyacetal Finish / Dark Brown
9	Cover Cap  FD30-WRH-CP	<ul style="list-style-type: none"> Material Polypropylene Finish: Light Brown *Dark Brown / White
10	Bottom Guide (For By-pass Door)  FD30-HGW	<ul style="list-style-type: none"> Material / Polyamide Finish / Light Brown
11	Door Guide Track  FD30-HBRT1500SIL	<ul style="list-style-type: none"> Material / Aluminum Finish Anodized Silver

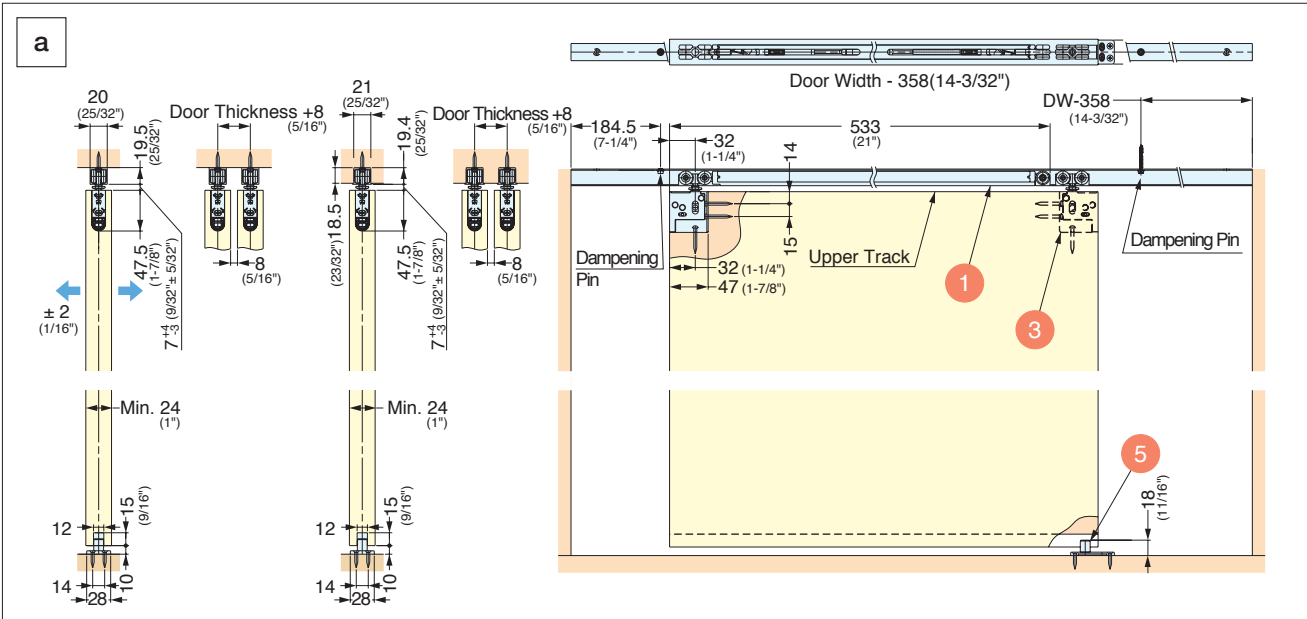
Upper Tracks

	Length	Item No.		Dimension, Material / Finish	
		Surface Mount	Recessed Mount	Surface	Recessed
Standard	71-5/8" (1820 mm)	FD30-TRM1820SIL	FD30-TRH1820SIL		
	107-1/2" (2730 mm)	FD30-TRM2730SIL	FD30-TRH2730SIL		
	143-5/16" (3640 mm)	FD30-TRM3640SIL	FD30-TRH3640SIL		
Soft-closing	71-5/8" (1820 mm)	FD30-TRM1820SCSIL	FD30-TRH1820SCSIL		
	107-1/2" (2730 mm)	FD30-TRM2730SCSIL	FD30-TRH2730SCSIL		
	143-5/16" (3640 mm)	FD30-TRM3640SCSIL	FD30-TRH3640SCSIL		
				Aluminum / Anodized Silver	

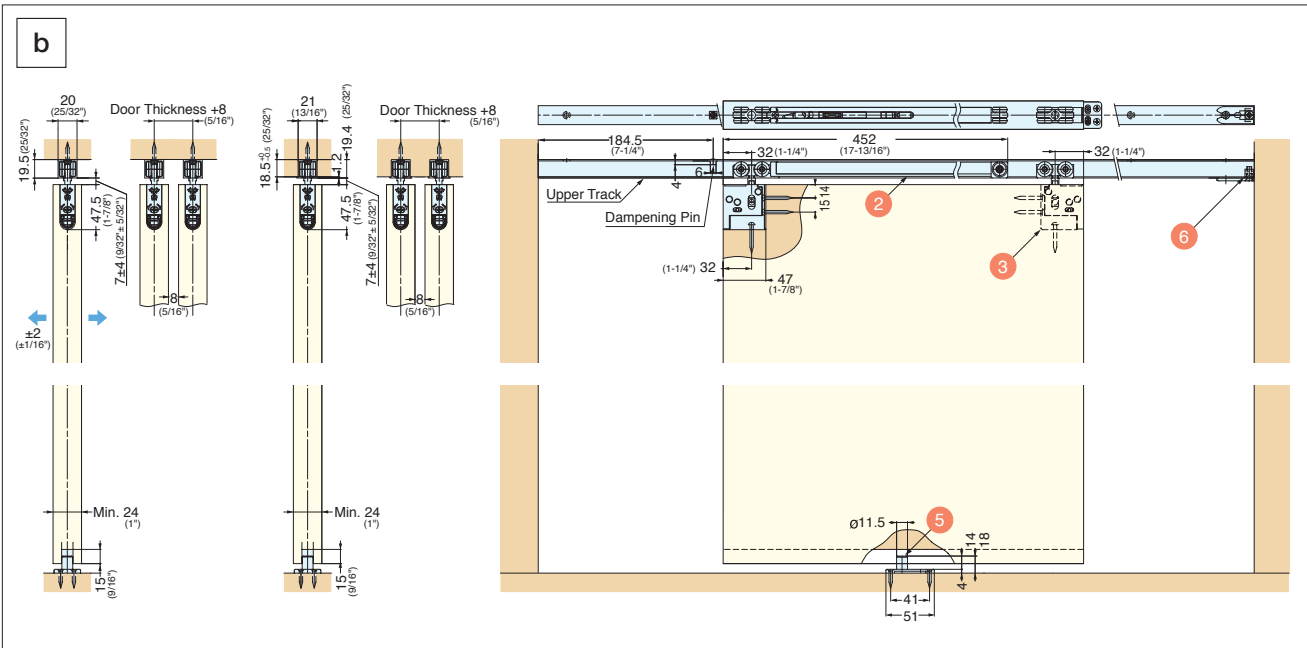
■ Door Preparation



■ FD30 / Recessed Roller / Two-Way Soft Close

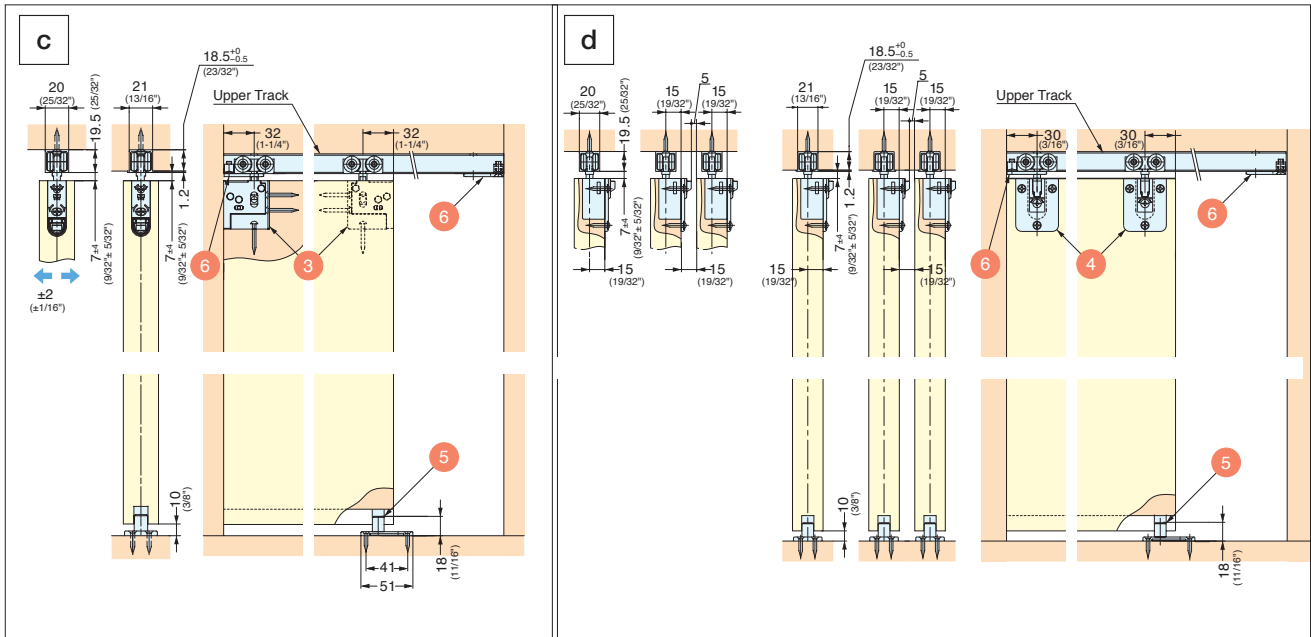


■ FD30 / Recessed Roller / One-Way Soft Close



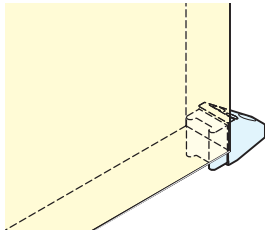
■ FD30 / Recessed Roller / Standard Sliding

■ FD30 / Side Mount Roller / Standard Sliding

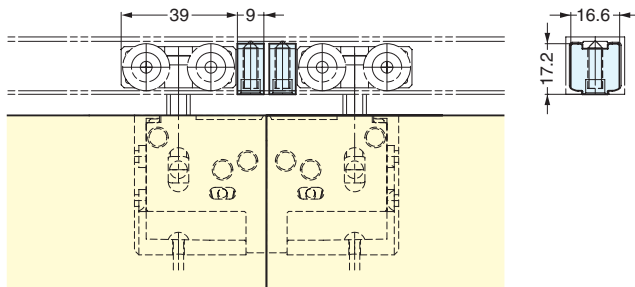


■ Optional Parts 7 ~ 10

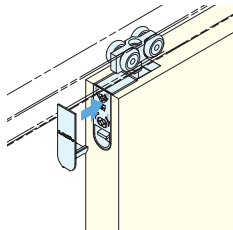
7 FD30-HTKY
Door Stopper (Floor Mount)



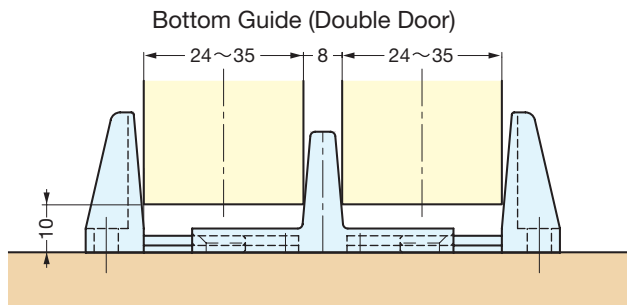
8 FD30-HSB
Stopper Block (2 doors in single track)



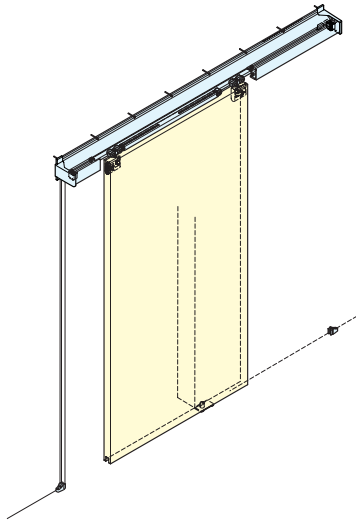
9 FD30-WRH-CP
Upper Roller Cover Cap



10 FD30-HGW
Bottom Guide for Double Door



FD30 - BARN DOOR STYLE



Type	FD30		
	Standard Sliding	One-way Soft Close	Two-way Soft Close
Roller	Recessed	Recessed	Recessed
Door Weight	Max. 66 lbs (30 kg)		
Door Thickness	1-3/16" ~ 1-7/16" (30~36 mm)		
Door Width	Max. 39-3/8" (1000 mm)	20" ~ 39-3/8" (510~1000 mm)	23-1/4" ~ 39-3/8" (590~1000 mm)
Door Height	Max. 94-1/2" (2400 mm)		

SLIDING & FOLDING DOOR HARDWARE

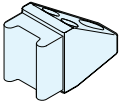
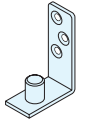
FD30 - BARN DOOR STYLE

Parts Set (per door) Necessary Parts

Please refer to "Qty a - c" for parts included in each set.

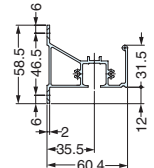
	Item No.	Description	
		Roller	Function
a	FD30-DHCP-AK	Recessed	Two Way Soft-Close
b	FD30-HCP-AK	Recessed	One Way Soft-Close
c	FD30-HHP-AK	Recessed	Standard Sliding

Parts Included

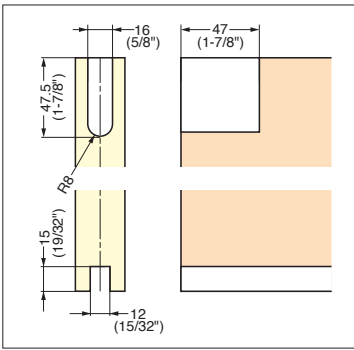
Optional Parts		
	Part Name	Description
9	 Door Stopper (Floor Mount) FD30-HTKY	<ul style="list-style-type: none"> Material Zinc Alloy / Rubber Finish Grey
10	 Floor Guide (Wall Mount) FD30-HBGK	<ul style="list-style-type: none"> Material Steel / POM Finish Yellow Zinc Chromate / Light Brown

No.	Qty			Part Name	Description
	a	b	c		
1	1 pc	-	-	Recessed-Roller Soft-Closer (Two-Way) FD30-WRH-DSC	<ul style="list-style-type: none"> Material Zinc Alloy / Polyacetal Finish Yellow Zinc Chromate / Light Brown
2	-	1 pc	-	Recessed-Roller Soft-Closer (One-Way) FD30-WRH-SC	<ul style="list-style-type: none"> Material Zinc Alloy / Polyacetal Finish Yellow Zinc Chromate / Light Brown
3	1 pc	1 pc	2 pcs	Recessed-Roller Standard Sliding FD30-WRH	<ul style="list-style-type: none"> Material Zinc Alloy / Polyacetal Finish Yellow Zinc Chromate / Light Brown
4	1 pc	1 pc	-	Dampening Pin FD30-HATG	<ul style="list-style-type: none"> Material / Steel Finish / Chromate
5	-	1 pc	2 pcs	End Stopper FD30-HTST-DB	<ul style="list-style-type: none"> Material Steel / Polyacetal Finish Yellow Zinc Chromate / Brown
6	1 pc	1 pc	1 pc	Floor Guide FD30-HBG	<ul style="list-style-type: none"> Material Steel / Polyamide Finish Yellow Zinc Chromate / Brown
7	2 pcs	1 pc	-	Bumper Block FD30-HBB	<ul style="list-style-type: none"> Material Steel / EPDM Finish Yellow Zinc Chromate / Black
8	2 pcs	2 pcs	2 pcs	Side Cover Cap FD30-HASC-GR	<ul style="list-style-type: none"> Material Steel / ABS Finish Chromate / GREY

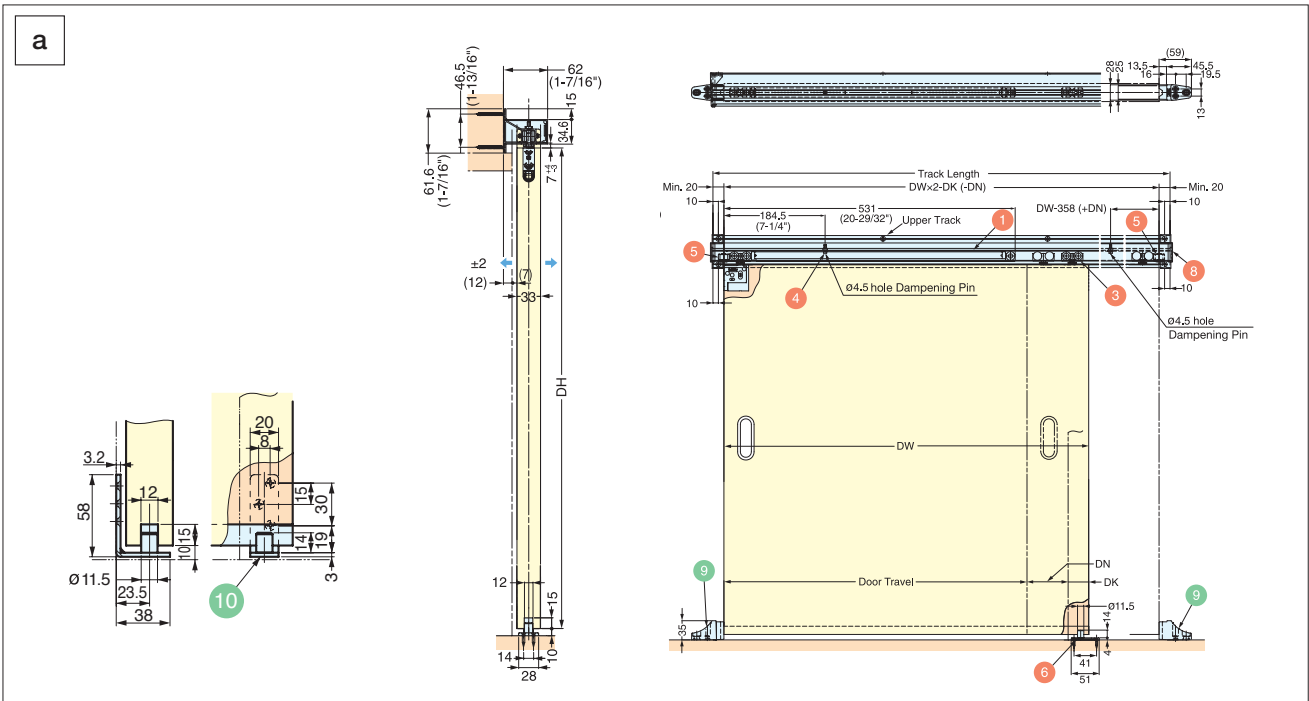
Upper Tracks

Length	Item No.	Dimension, Material / Finish
82-11/16" (2100 mm)	FD30-TRA2100SIL	 Aluminum / Anodized Silver
107-1/2" (2730 mm)	FD30-TRA2730SIL	

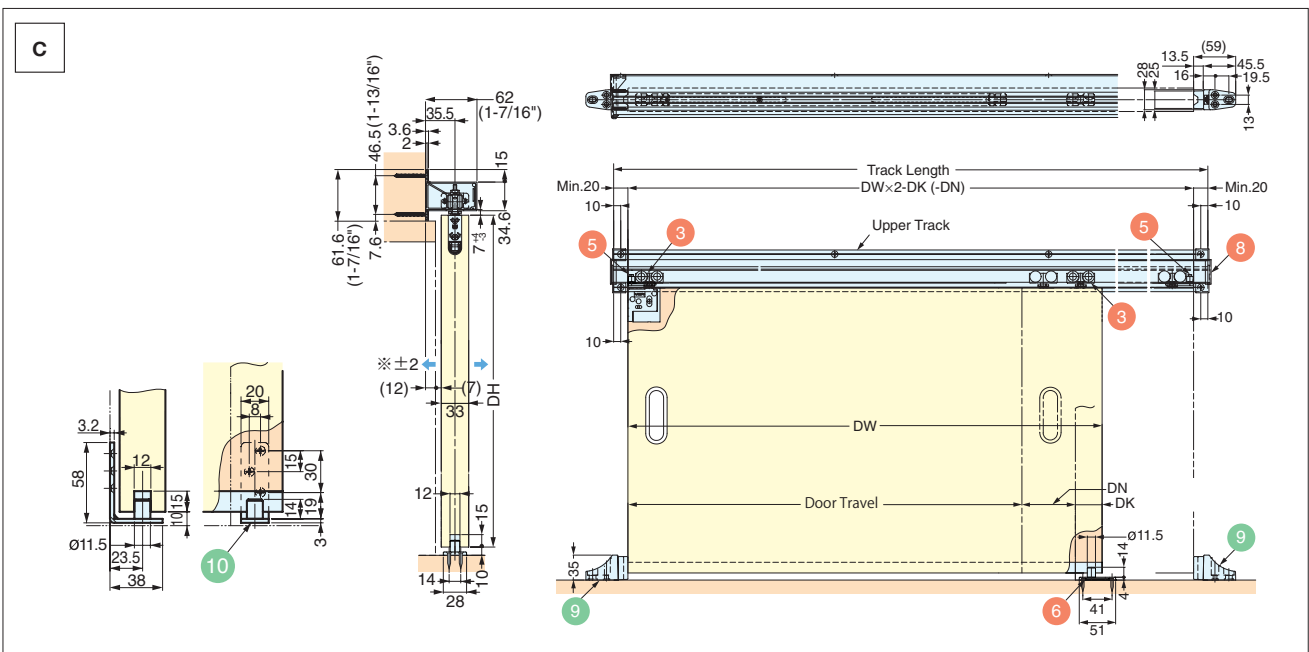
■ Door Preparation



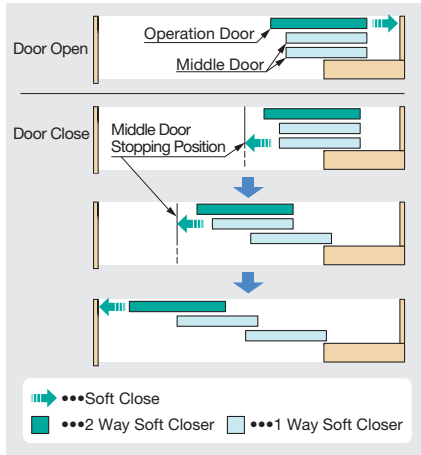
■ FD30 / Barn Door Style / Two-Way Soft Close



■ FD30 / Barn Door Style / Standard Sliding

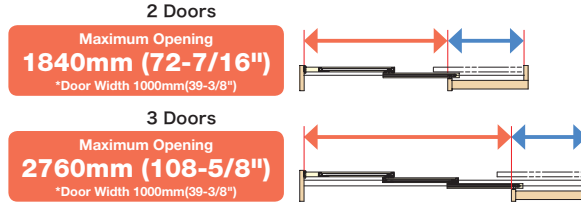


FD30 - MULTIPLE SYNCHRONIZED SLIDING DOOR



Type	FD30 / 2 or 3 Doors Synchronized Sliding Style	
	With One-Way Soft Closer	With Two-Way Soft Closer
Door Thickness	1-3/16"~1-1/2" (30~38 mm)	
Door Width	20"~39-3/8"(510~1000 mm)	23-1/4"~39-3/8" (590~1000 mm)
Door Weight	Max. 66 lbs per door (30kg)	

Maximum Opening Clearance



Parts Set (per door)

Necessary Parts

Please refer to "Qty [a] - [b]" for parts included in each set.

Item No.	Description	Roller		Function	
		Roller	Function	Roller	Function
[a] FD30-HRP2	Recessed	2 Doors Synchronized			
[b] FD30-HRP3	Recessed	3 Doors Synchronized			

Parts Included

No.	Qty		Part Name	Description
	[a]	[b]		
1	1 pc	1 pc	Recessed-Roller Soft-Closer (Two-Way) FD30-WRH-DSC	<ul style="list-style-type: none"> Material Zinc Alloy / Polyacetal Finish Yellow Zinc Chromate / Light Brown
2	1 pc	2 pcs	Recessed-Roller Soft-Closer (One-Way) FD30-WRH-SC	<ul style="list-style-type: none"> Material Zinc Alloy / Polyacetal Finish Yellow Zinc Chromate / Light Brown
3	2 pcs	3 pcs	Recessed-Roller Standard Sliding FD30-WRH	<ul style="list-style-type: none"> Material Zinc Alloy / Polyacetal Finish Yellow Zinc Chromate / Light Brown
4	2 pcs	3 pcs	Dampening Pin FD30-TRG	<ul style="list-style-type: none"> Material / Steel Finish Yellow Zinc Chromate
5	1 pc	2 pcs	End Stopper FD30-HRGU	<ul style="list-style-type: none"> Material SUS304 / POM Finish / Grey, Plain

Optional Parts

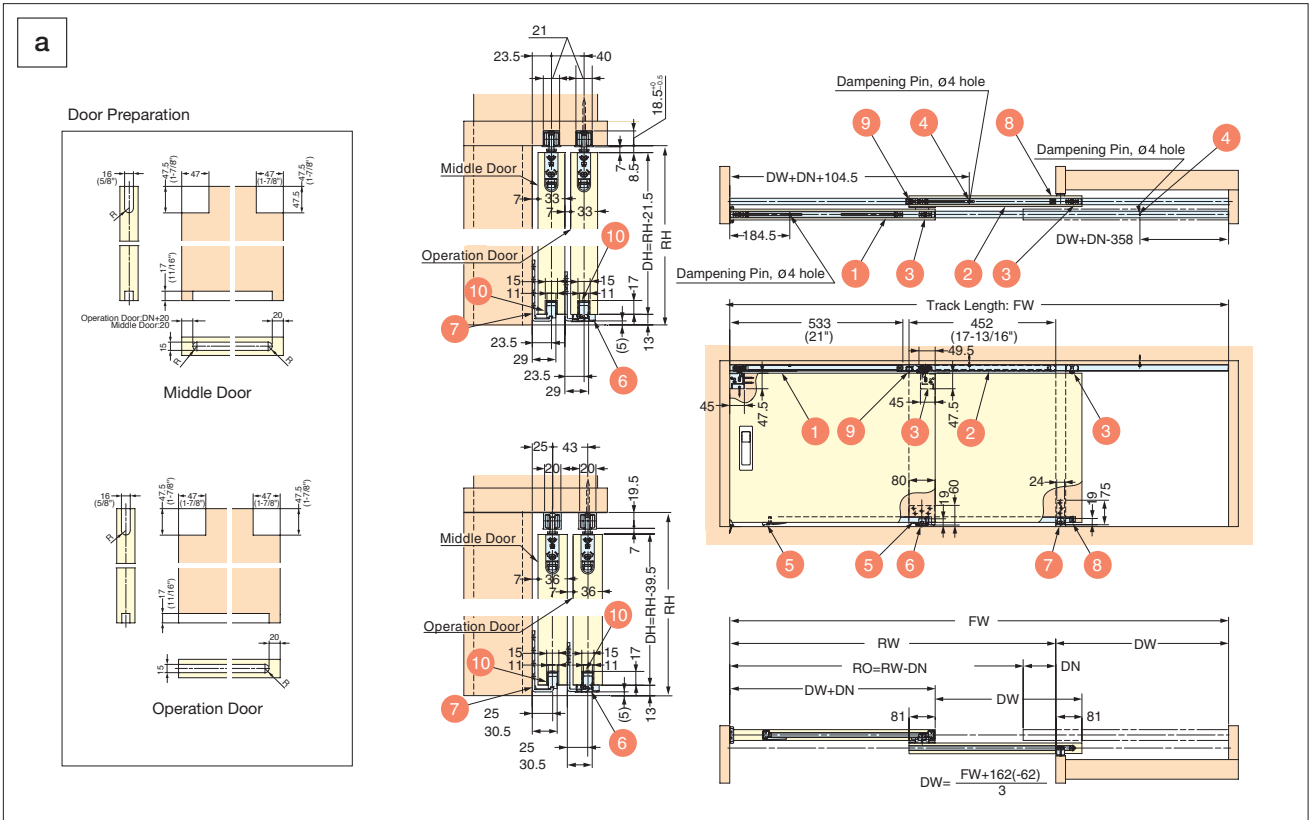
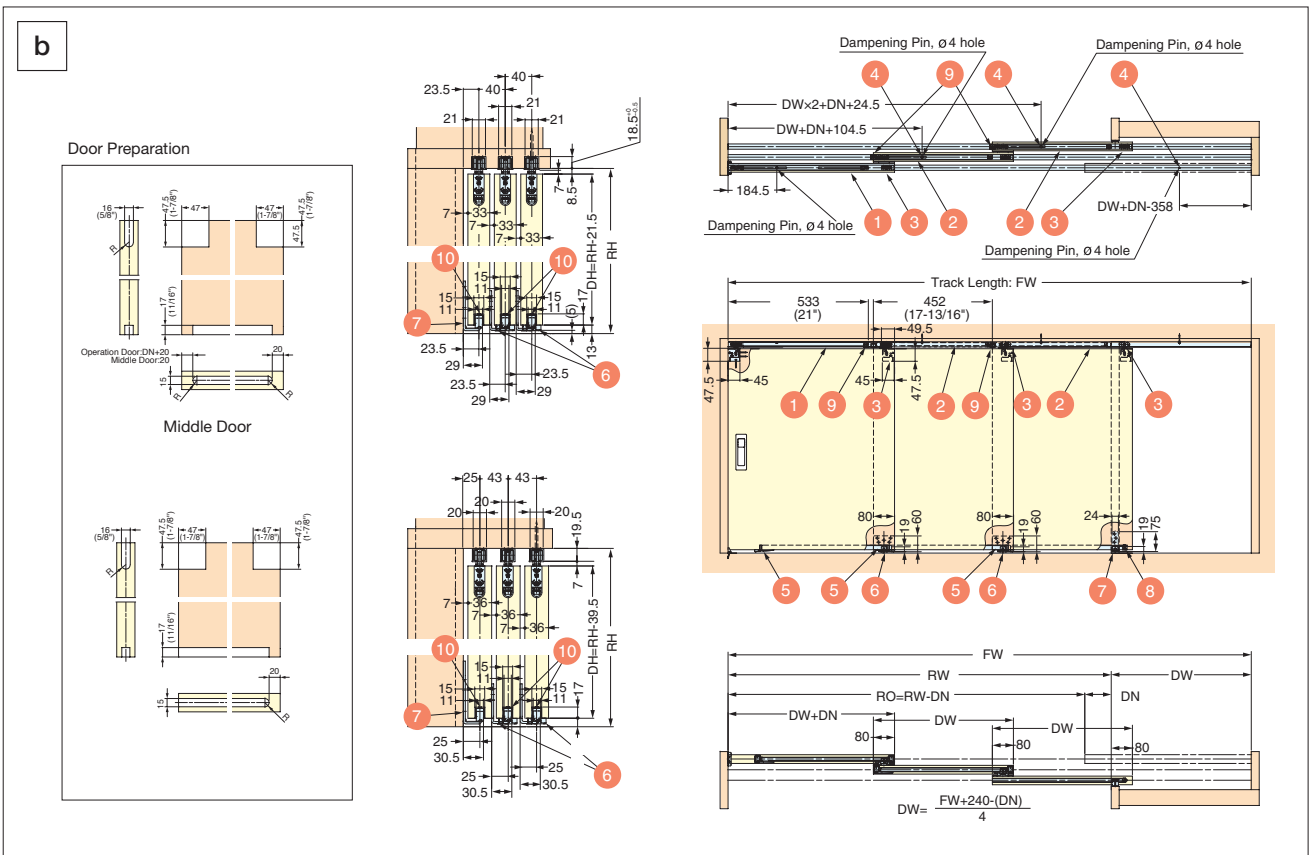
Part Name	Description
① Guide for Door FD30-HTF	<ul style="list-style-type: none"> Material / Polyamide Finish / Light Brown

No.	Qty		Part Name	Description
	[a]	[b]		
6	1 pc	2 pcs	Door Guide (Door Mount) FD30-HRDG	<ul style="list-style-type: none"> Material SUS304 / POM Finish / Grey, Plain
7	1 pc	1 pc	Door Guide (Wall Mount) FD30-HBGF	<ul style="list-style-type: none"> Material SUS304 / POM Finish / Grey, Plain
8	1 pc	1 pc	Block for Bottom Guide FD30-HRDB	<ul style="list-style-type: none"> Material / EPDM Finish / Black
9	1 pc	2 pcs	Bumper Block FD30-HBB	<ul style="list-style-type: none"> Material Steel / EPDM Finish Chromate / Black
10	2 pcs	3 pcs	Guide Track FD30-HBDR1000	<ul style="list-style-type: none"> Material / ABS Finish / Black

Upper Tracks

Length	Item No.		Dimension, Material / Finish	
	Surface Mount	Recessed Mount	Surface	Recessed
71-5/8" (1820 mm)	FD30-TRM1820SCSIL	FD30-TRH1820SCSIL		
107-1/2" (2730 mm)	FD30-TRM2730SCSIL	FD30-TRH2730SCSIL		
143-5/16" (3640 mm)	FD30-TRM3640SCSIL	FD30-TRH3640SCSIL		

Aluminum / Anodized Silver

■ FD30 / Synchronized Sliding / 2 doors

■ FD30 / Synchronized Sliding / 3 doors


SLIDING DOOR SYSTEM (Door Weight 110 lbs)

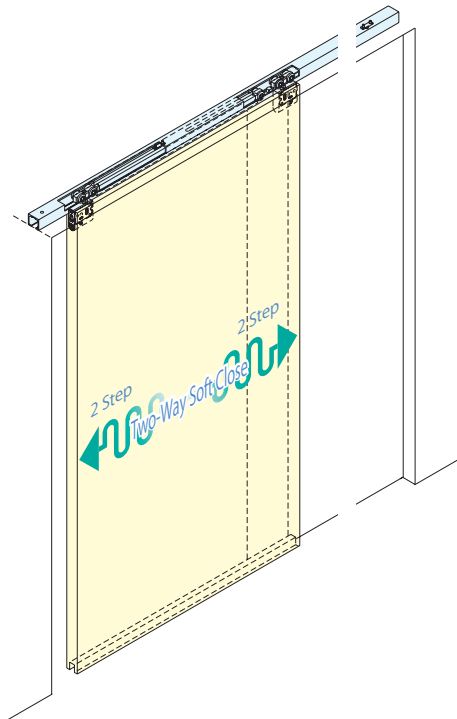
FD50

SLIDING & FOLDING
DOOR HARDWARE

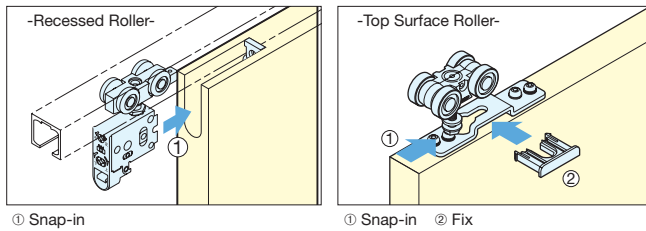


Type	FD50			
	Standard Sliding		Two-way Soft Close	
Roller	Recessed	Top Surface	Recessed	Top Surface
Door Weight	Max. 110 lbs (50 kg)			
Door Thickness (Min.)	1"(24 mm)	1-3/16"(30 mm)	1"(24 mm)	1-3/16"(30 mm)
Door Width	Max. 59-1/16" (1500 mm)		26-3/4" - 59-1/16" (680 mm ~ 1500mm)	
Door Height	Max. 94-1/2" (2400 mm)			

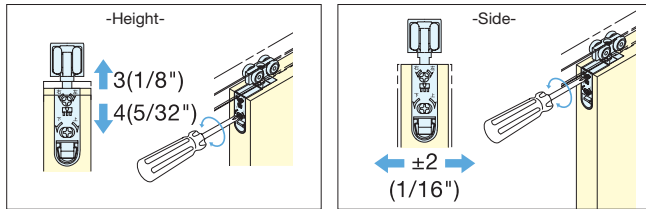
- Thin profile allows flexible design on various application
 - Soft-Close Type available by selecting each roller type
 - Various parts available for many applications
- *Designed for interior use, not exterior.



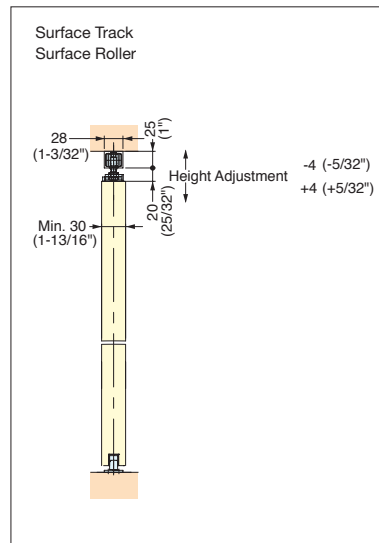
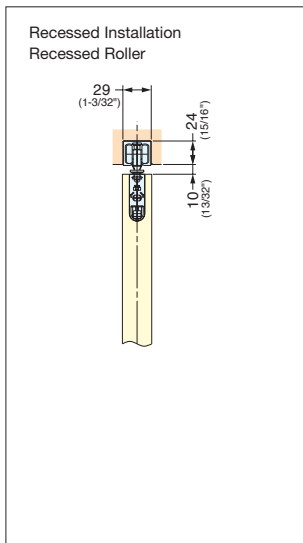
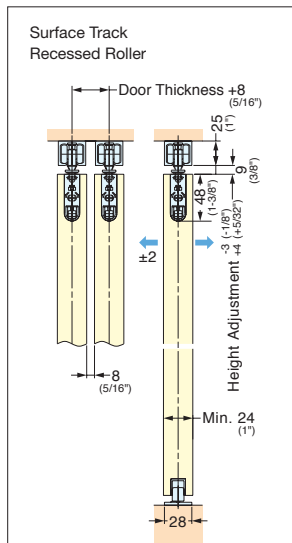
■ Door Installation



■ Adjustment (With Phillips Screwdriver)



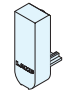


SLIDING DOOR SYSTEM (DOOR WEIGHT 110 LBS)

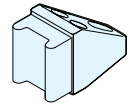
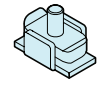
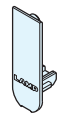
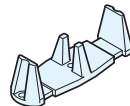
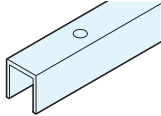


Parts Set (per door)		Necessary Parts	
Please refer to "Qty [a]-[d]" for parts included in each set.			
	Item No.	Description	
		Roller	Function
[a]	FD50-DHCP	Recessed	Two Way Soft-Close
[b]	FD50-HHP-LBR	Recessed	Standard Sliding
[c]	FD50-DHCMP	Top Surface	Two Way Soft-Close
[d]	FD50-HMP	Top Surface	Standard Sliding

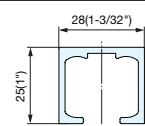
Parts Included

No.	Qty				Part Name	Description
	[a]	[b]	[c]	[d]		
1	1 pc	-	-	-	Recessed Roller Soft-Closer (Two-Way)  FD50-WRH-DSC	<ul style="list-style-type: none"> Material: Steel / Zinc Alloy Polyacetal Finish: Chromate / Grey
2	1 pc	2 pcs	-	-	Recessed Roller Standard Sliding  FD50-WRH	<ul style="list-style-type: none"> Material: Steel / Zinc Alloy Polyacetal Finish: Chromate / Grey
3	-	-	1 pcs	-	Top-Surface Roller Soft-Closer (Two-Way)  FD50-WRM-DSC	<ul style="list-style-type: none"> Material: Steel / Zinc Alloy Polyacetal Finish: Chromate / Grey
4	-	-	1 pc	2 pcs	Top-Surface Roller Standard Sliding  FD50-WRM	<ul style="list-style-type: none"> Material: Steel / Zinc Alloy Polyacetal Finish: Chromate / Grey
5	1 pc	1 pc	1 pc	1 pc	Floor Guide  FD50-BG18	<ul style="list-style-type: none"> Material: 304 Stainless Steel Finish: Plain / White
6	-	2 pcs	-	2 pcs	End Stopper  FD50-HTST	<ul style="list-style-type: none"> Material: Steel Finish: Chromate
7	-	2 pcs	-	-	Cover Cap for Recessed Roller  FD50-WRH-SCP-LBR	<ul style="list-style-type: none"> Material: Polypropylene Finish: Light Brown ** Dark Brown / White available by special order

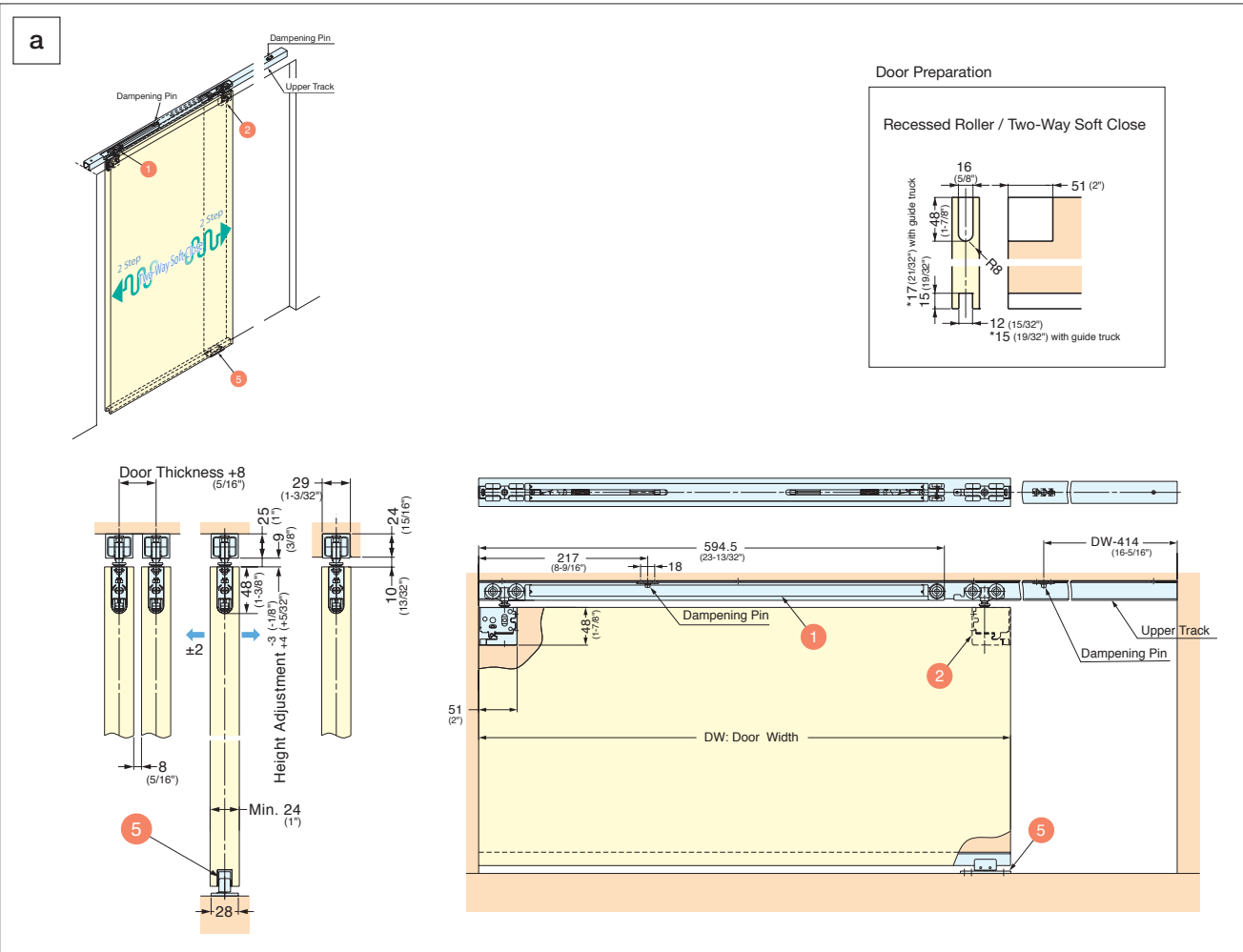
Optional Parts

	Part Name	Description
8	Door Stopper  FD30-HTKY	<ul style="list-style-type: none"> Material: Zinc Alloy / Rubber Finish: Grey
9	Stopper Block  FD50-HSB	<ul style="list-style-type: none"> Material: Steel Finish: Chromate
10	Cover Cap (For Soft Close Roller)  FD50-WRH-LBR	<ul style="list-style-type: none"> Material: Polypropylene Finish: Light Brown *Dark Brown / White available by special order
11	Bottom Guide (For Bypass doors)  FD30-HGW	<ul style="list-style-type: none"> Material: Polyamide Finish: Light Brown
12	Door Guide Track  FD30-HBRT1500SIL	<ul style="list-style-type: none"> Material: Aluminum Finish: Anodized Silver

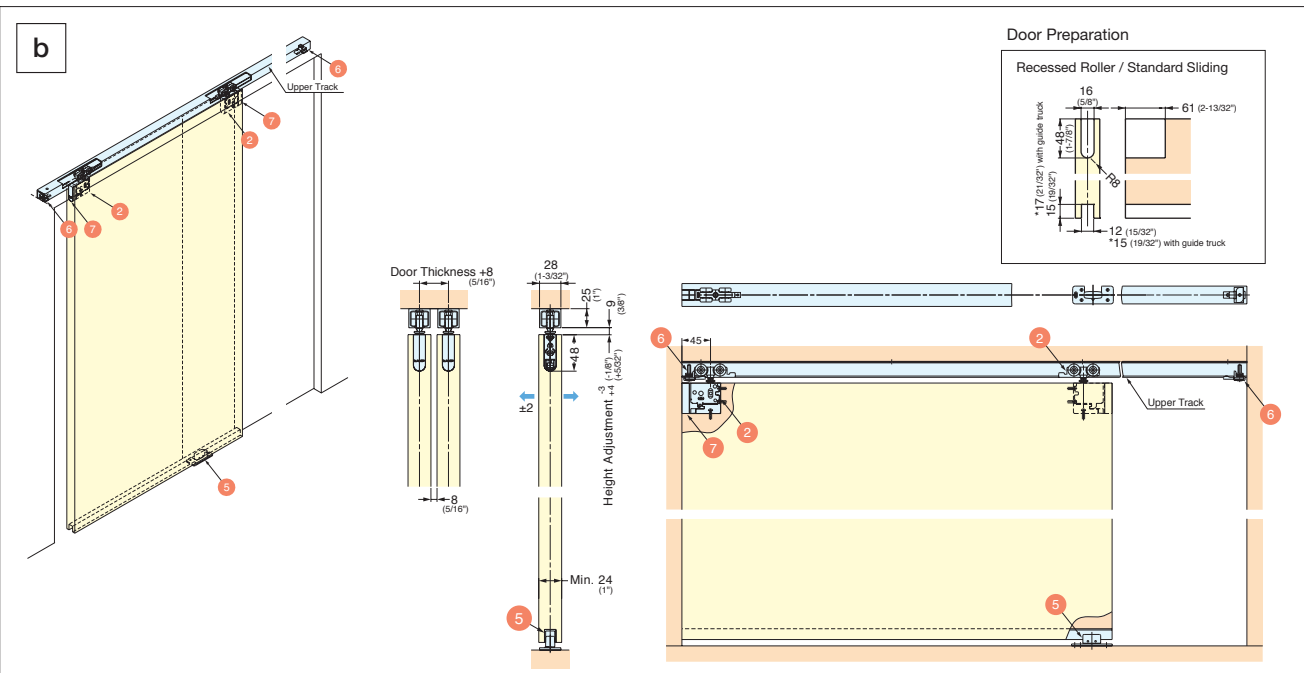
Upper Tracks

Length	Item No.	Dimension, Material / Finish
	Surface Mount	
71-5/8" (1820 mm)	FD50-TRM1820SIL	
107-1/2" (2730 mm)	FD50-TRM2730SIL	
143-5/16" (3640 mm)	FD50-TRM3640SIL	Aluminum / Anodized Silver

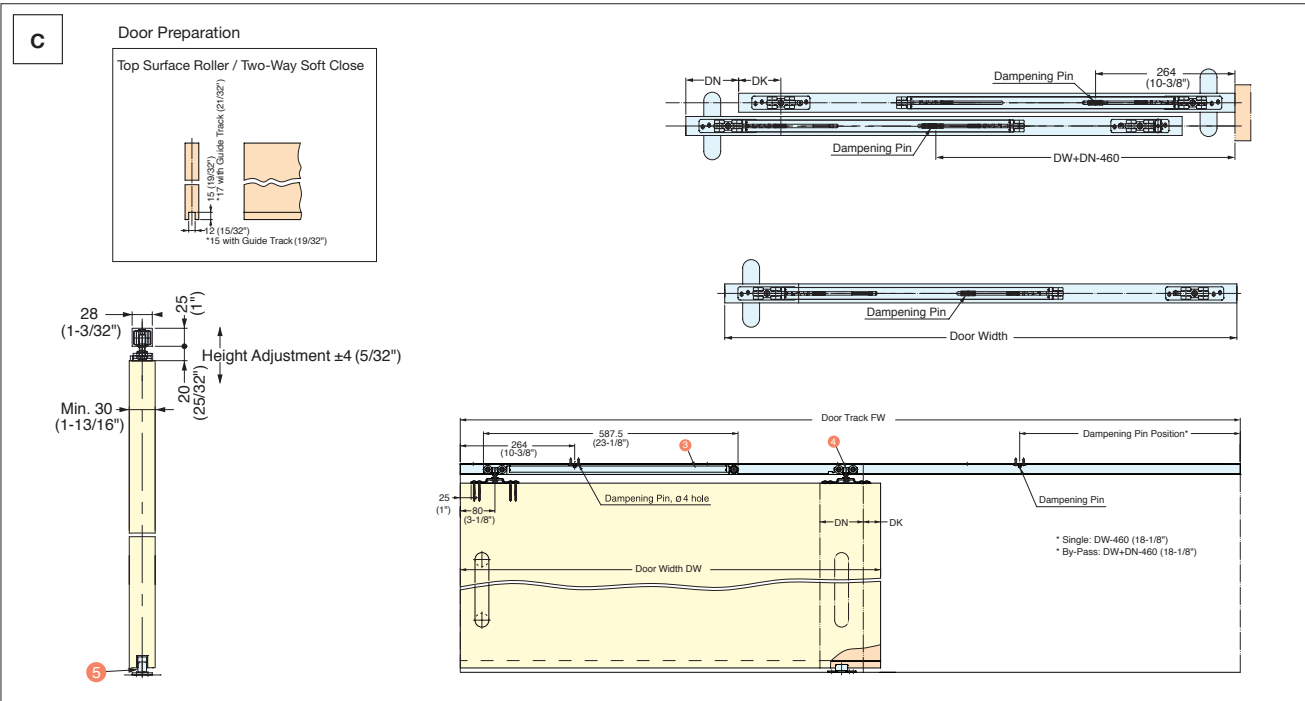
■ FD50 / Recessed Roller / Two-Way Soft Close



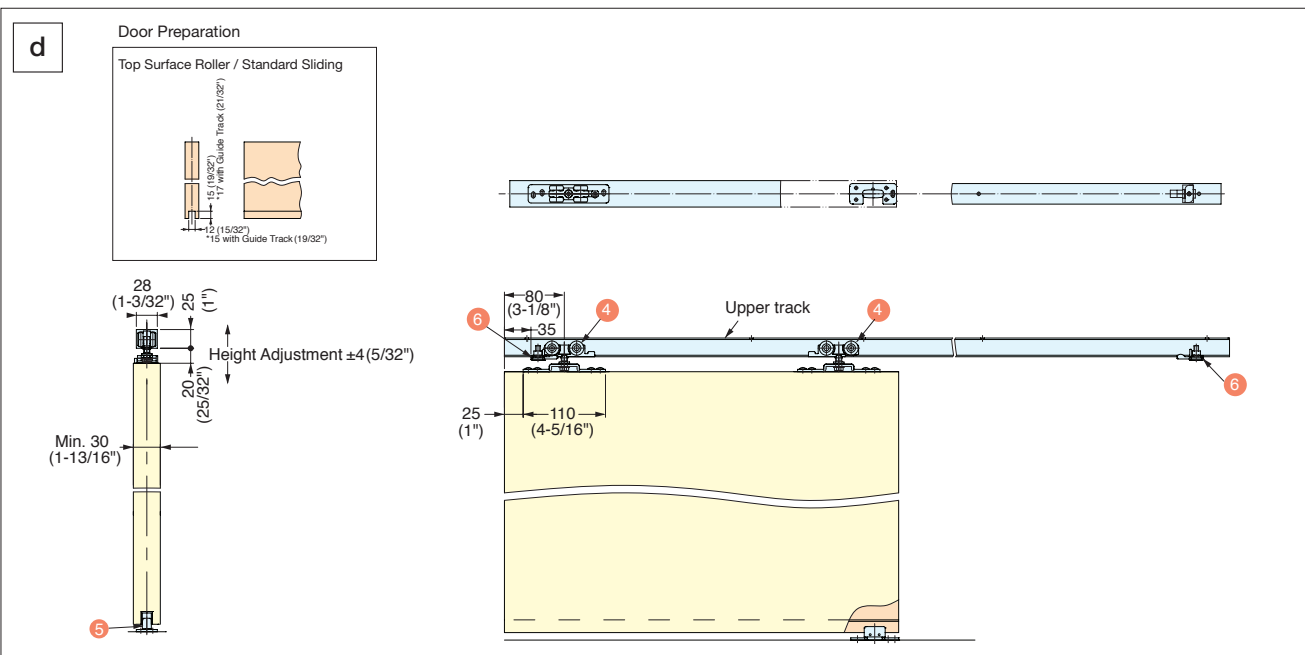
■ FD50 / Recessed Roller / Standard Sliding



■ FD50 / Top Surface Roller / Two-Way Soft Close



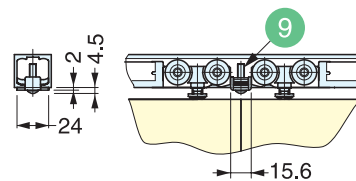
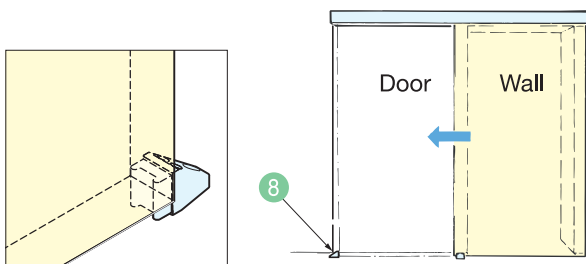
■ FD50 / Top Surface Roller / Standard Sliding



■ Optional Parts 8 ~ 9

8 FD30-HTKY
Door Stopper (Floor Mount)

9 FD50-HSB
Stopper Block (2 doors in single track)



SLIDING DOOR SYSTEM (Door Weight 176 lbs)

FD80

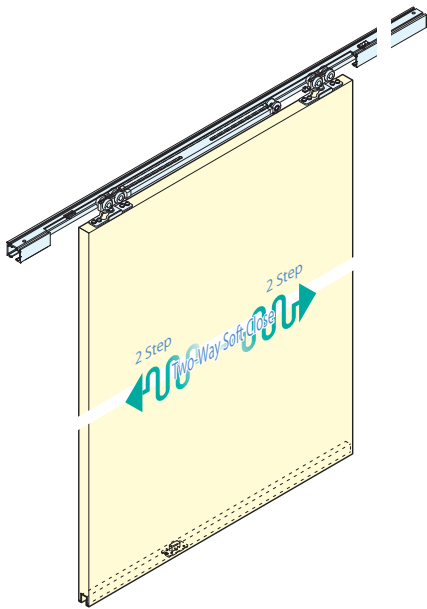
SLIDING & FOLDING DOOR HARDWARE



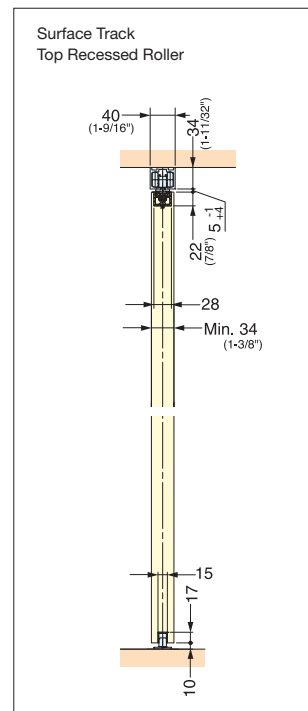
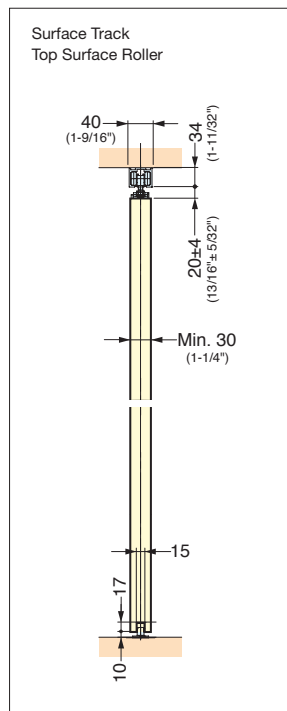
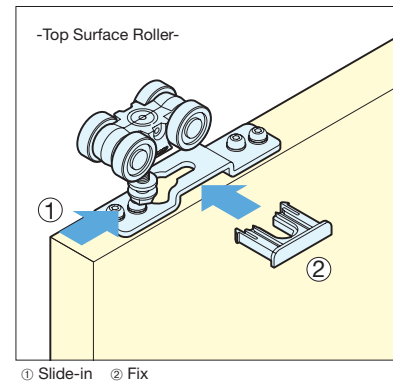
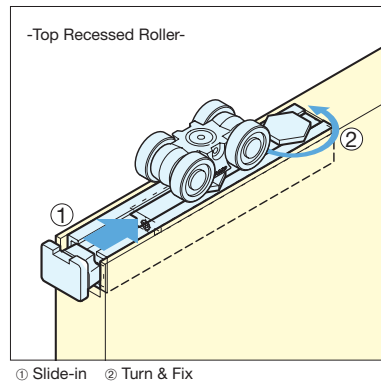
Type	FD80			
	Standard Sliding		Two-way Soft Close	
Roller	Top Recessed	Top Surface	Top Recessed	Top Surface
Door Weight	Max. 176 lbs (80 kg)			
Door Thickness (Min.)	1-3/8" (34 mm)	1-1/4" (30 mm)	1-3/8" (34 mm)	1-1/4" (30 mm)
Door Width	Max. 1500 (59-1/16")		784 ~ 1500 (30-7/8" ~ 59-1/16")	
Door Height	Max. 98-7/16" (2500 mm)			

- Heavy Duty version
- Soft-Close Type available by selecting each roller type
- Top surface mount system for easy installation - No door boring is required
- Easy door installation - Simply hang the door onto the rollers
- Easy height adjustment

SLIDING DOOR SYSTEM (DOOR WEIGHT 176 LBS)

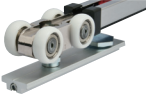

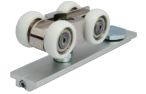
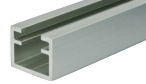






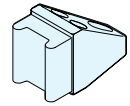
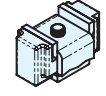
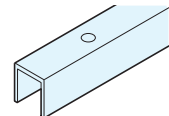
■ Door Installation



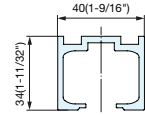
Parts Set (per door)		Necessary Parts	
		Please refer to "Qty [a] - [d]" for parts included in each set.	
	Item No.	Description	
		Roller	Function
[a]	FD80-DHCHP	Top Recessed	Two Way Soft-Close
[b]	FD80-HHP	Top Recessed	Standard Sliding
[c]	FD80-DHCMP	Top Surface	Two Way Soft-Close
[d]	FD80-HMP	Top Surface	Standard Sliding

Parts Included

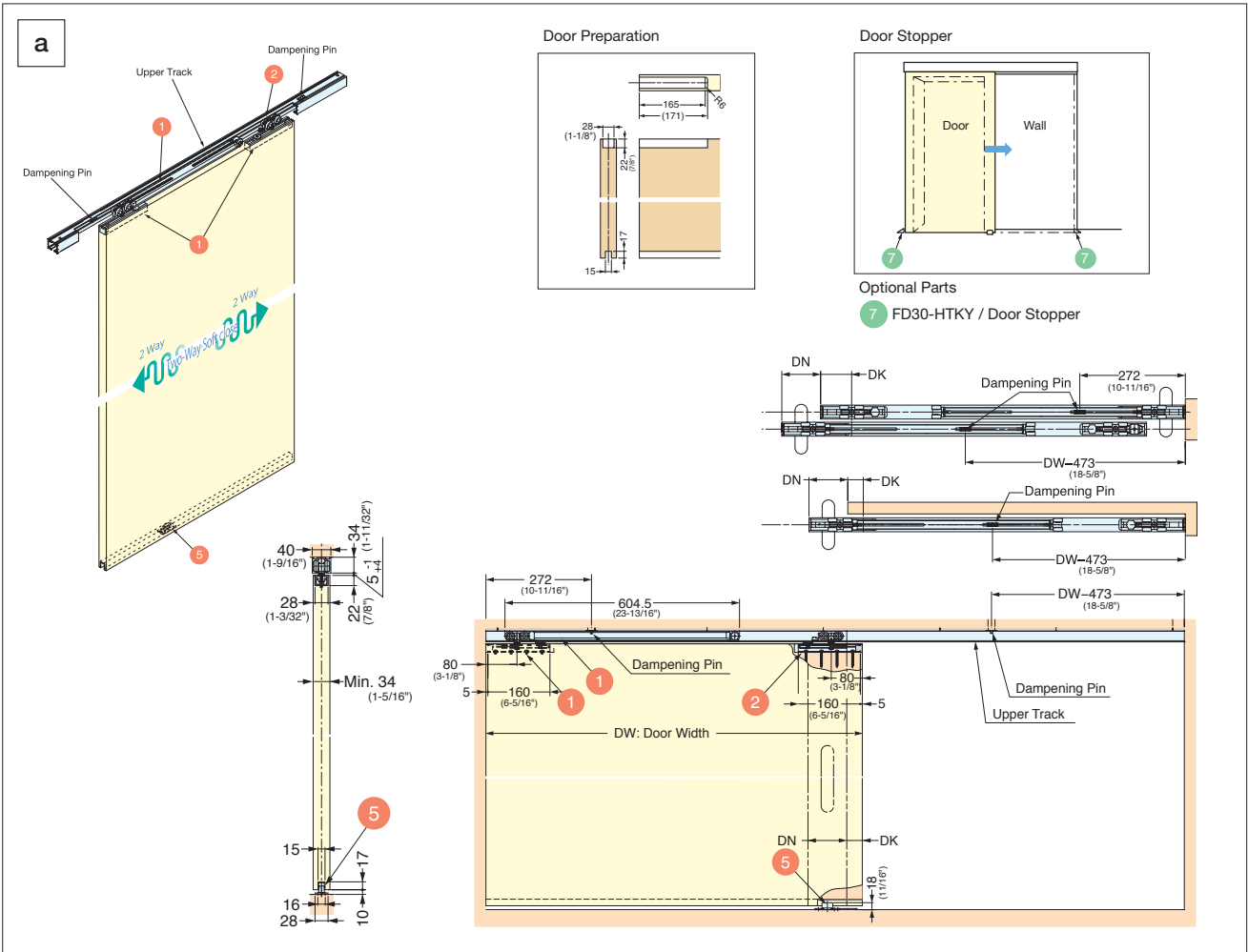
No.	Qty				Part Name	Description
	[a]	[b]	[c]	[d]		
1	1 pc	-	-	-	 Top Recessed Roller Soft-Closer (Two-Way) FD80-WRH-DSC  FD70B-HB160 <ul style="list-style-type: none"> Material Zinc Alloy / Polyacetal Steel / Aluminum Finish Nickel / Black 	
2	1 pc	2 pcs	-	-	 Top Recessed Roller Standard Sliding FD80-WRH  FD70B-HB160 <ul style="list-style-type: none"> Material Zinc Alloy / Polyacetal Steel / Aluminum Finish Nickel / Natural 	
3	-	-	1 pcs	-	 Top-Surface Roller Soft-Closer (Two-Way) FD80-WRM-DSC <ul style="list-style-type: none"> Material Zinc Alloy / Polyacetal Steel Finish Nickel / Black 	
4	-	-	1 pc	2 pcs	 Top-Surface Roller Standard Sliding FD80-WRM <ul style="list-style-type: none"> Material Zinc Alloy / Polyacetal Steel Finish Nickel / Natural 	
5	1 pc	1 pc	1 pc	1 pc	 Floor Guide FD50-BG18 <ul style="list-style-type: none"> Material 304 Stainless Steel Finish Plain / White 	
6	-	2 pcs	-	2 pcs	 End Stopper FD80-HTST <ul style="list-style-type: none"> Material Steel / Polyacetal Finish Chromate / White 	

Optional Parts		
	Part Name	Description
7	Door Stopper  FD30-HTKY	<ul style="list-style-type: none"> Material Zinc Alloy / Rubber Finish / Grey
8	Stopper Block  FD80-HSB	<ul style="list-style-type: none"> Material / Steel / EPDM Finish Chromate / Black
9	Door Guide Track  FD30-HBRT1500SIL	<ul style="list-style-type: none"> Material / Aluminum Finish Anodized Silver

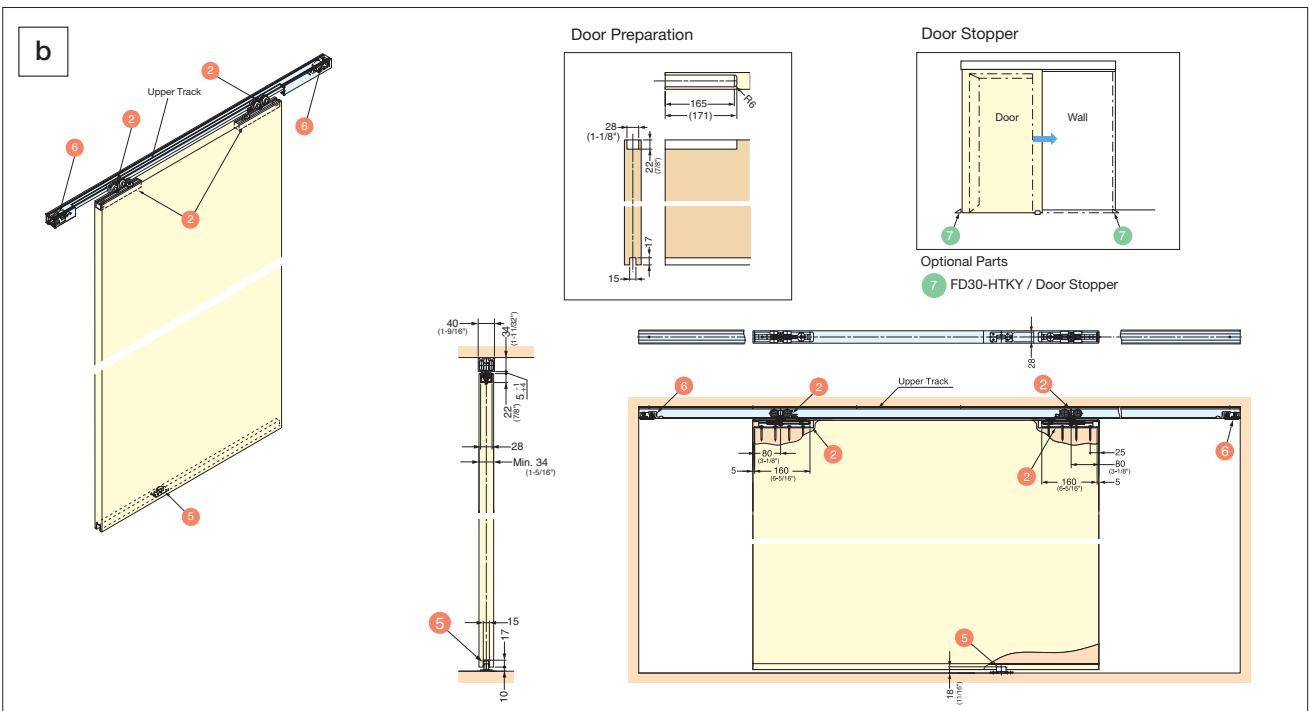
Upper Tracks

Length	Item No.	Dimension, Material / Finish
	Surface Mount	
78-3/4" (2000 mm)	FD80-TRM2000SIL	
107-1/2" (2730 mm)	FD80-TRM2730SIL	
143-5/16" (3640 mm)	FD80-TRM3640SIL	Aluminum / Anodized Silver

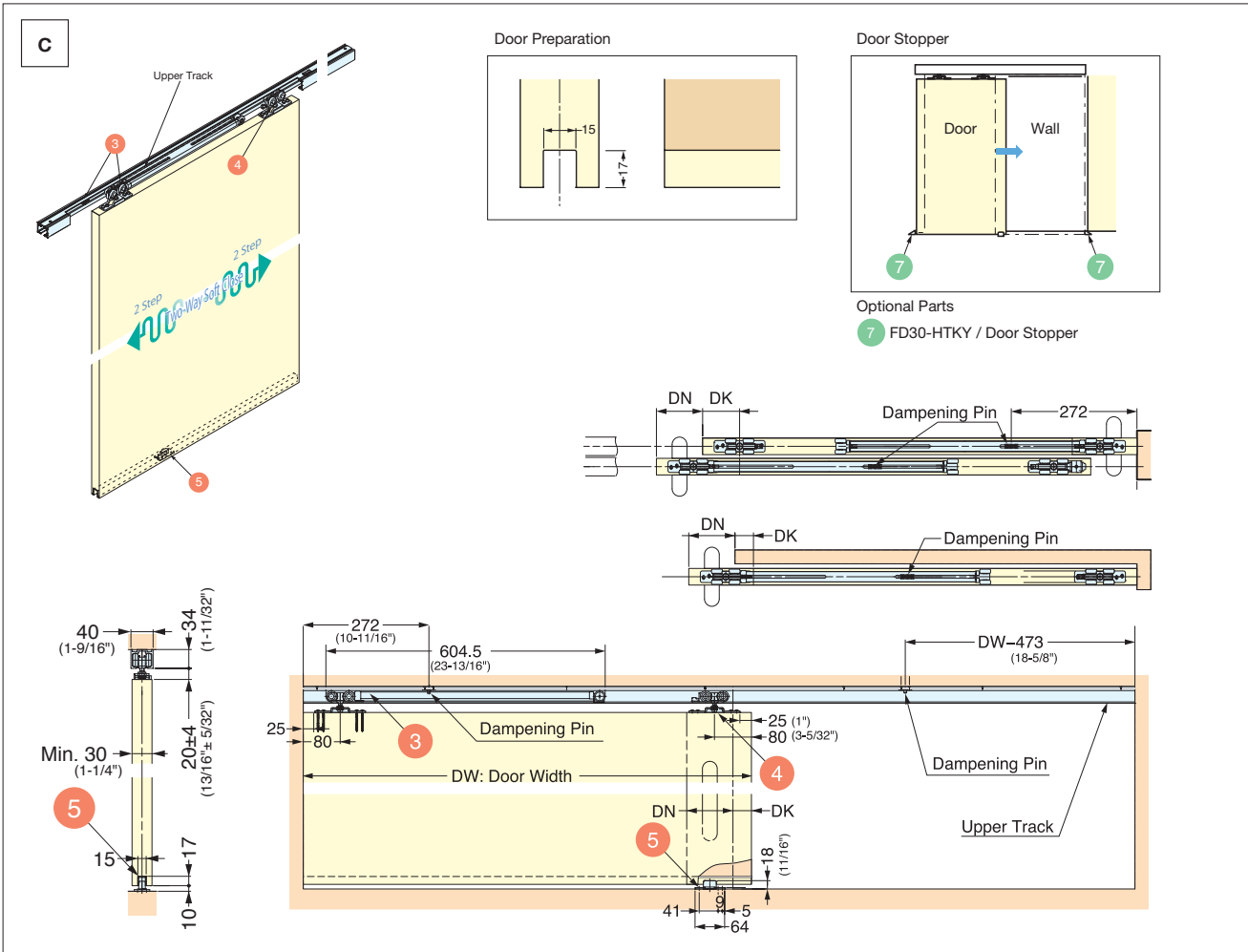
■ FD80 / Top Recessed Roller / Two-Way Soft Close



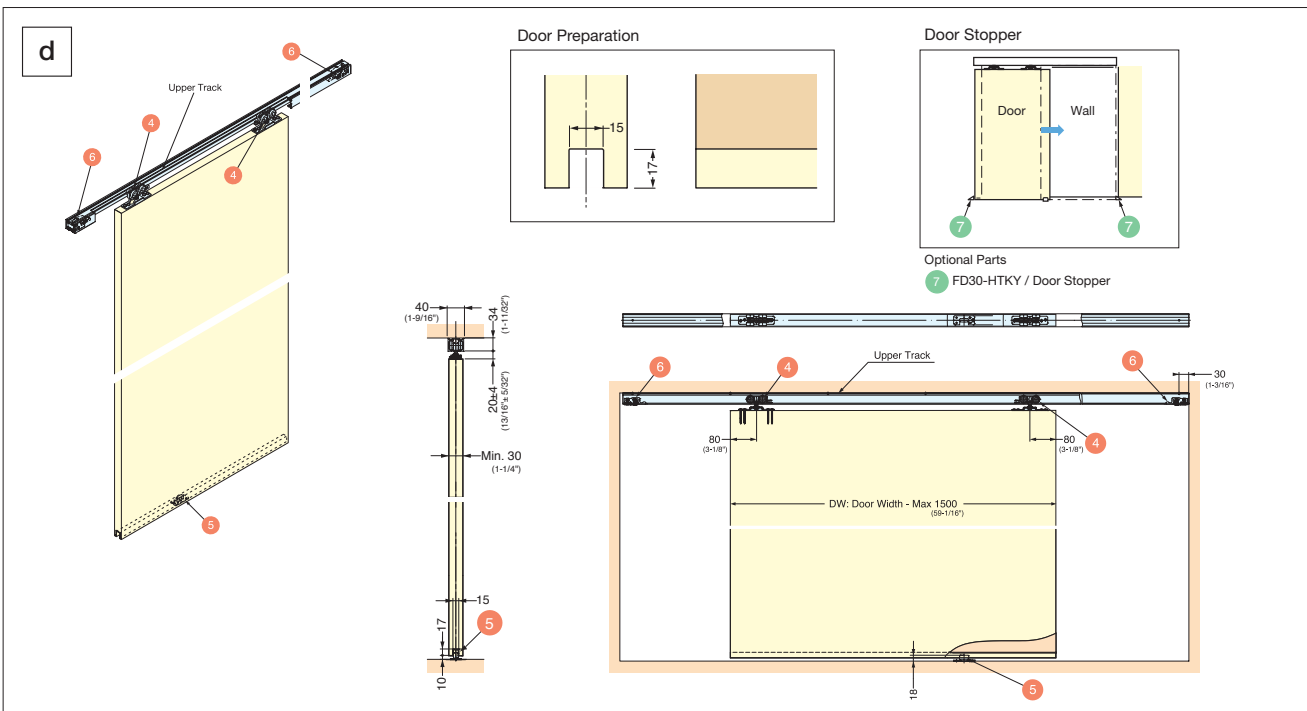
■ FD80 / Top Recessed Roller / Standard Sliding



■ FD80 / Top Surface Roller / Two-Way Soft Close



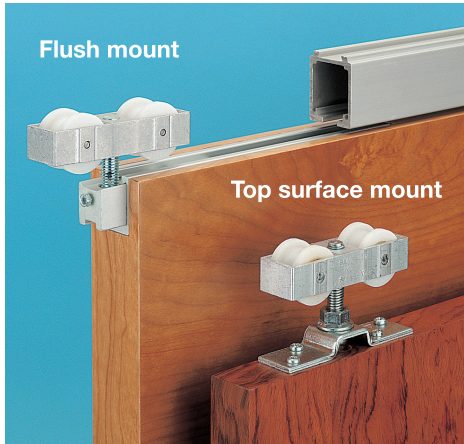
■ FD80 / Top Surface Roller / Standard Sliding



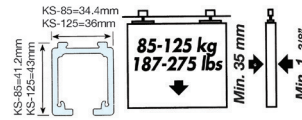
SLIDING DOOR SYSTEM (Door Weight 187 lbs, 275 lbs)

KS-85, KS-125

SLIDING & FOLDING DOOR HARDWARE






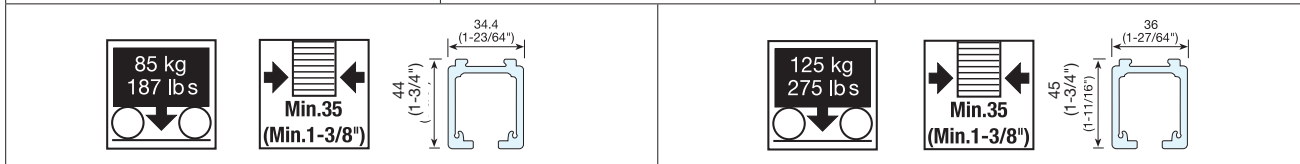
- Smooth and quiet movement.
- Easy installation.
- Easy height adjustment.
- No bottom rail, clean appearance.
- Two mounting selection available to suit application.
 - Top surface mount – For drop ceiling application or places where hardware will be covered.
 - Flush mount – For room dividers or application where both side of door is visible.
- Door weight : KS-85 Series – Max. 85 kg (187 lbs)
KS-125 Series – Max. 125 kg (275 lbs)
- Wall mount bracket (KS-3531) and track connection pins (KS-3536) available (sold separately).



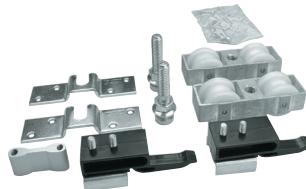
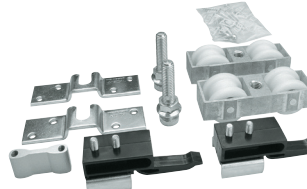
Ordering Info:
Order the track and the parts kit.
e.g.) You have 1 sliding door (200 lbs) to cover a 3 foot wide area

QTY	ITEM
1	KS-2752
1	KS-3505

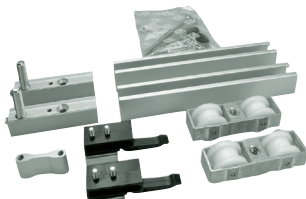
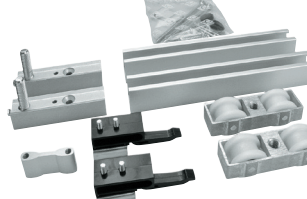
KS-85	KS-125 (w/FULL ball bearing rollers)
 <p>* Drilled every 250mm (10") Item No.: KS-2742 Track for KS-85</p> <p>Material: Aluminum Finish: Anodized Length: 2000mm (78-3/4")</p>	 <p>* Drilled every 250mm (10") Item No.: KS-2752 Track for KS-125</p> <p>Material: Aluminum Finish: Anodized Length: 2000mm (78-3/4")</p>
 <p>Item No.: KS-3531</p> <p>Wall Mount Bracket (Optional parts)</p>	



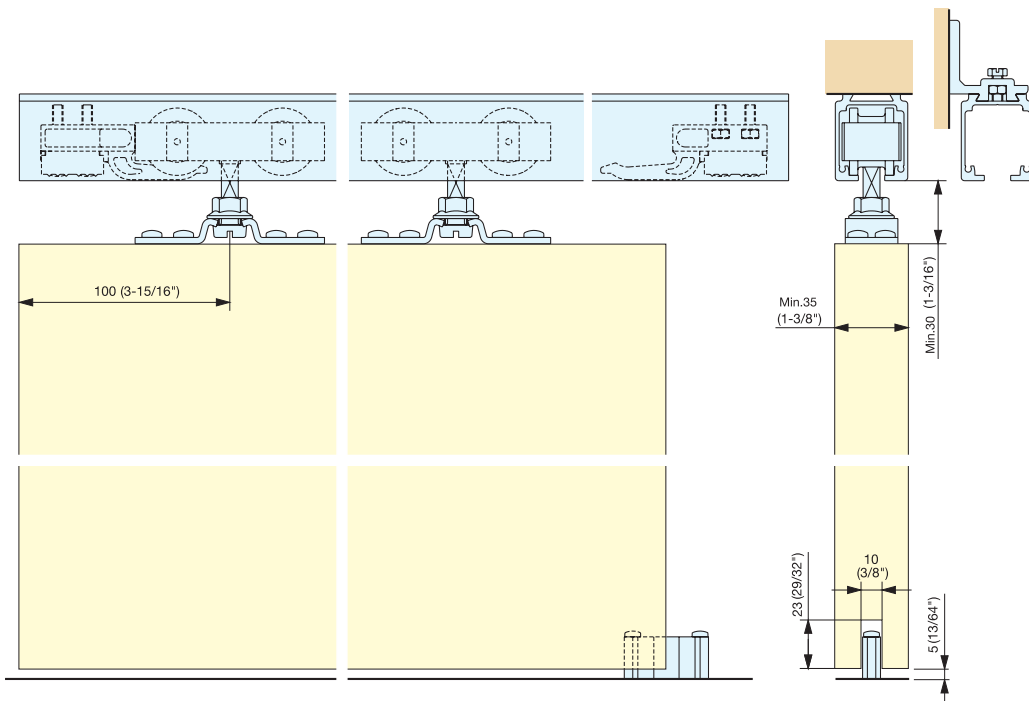
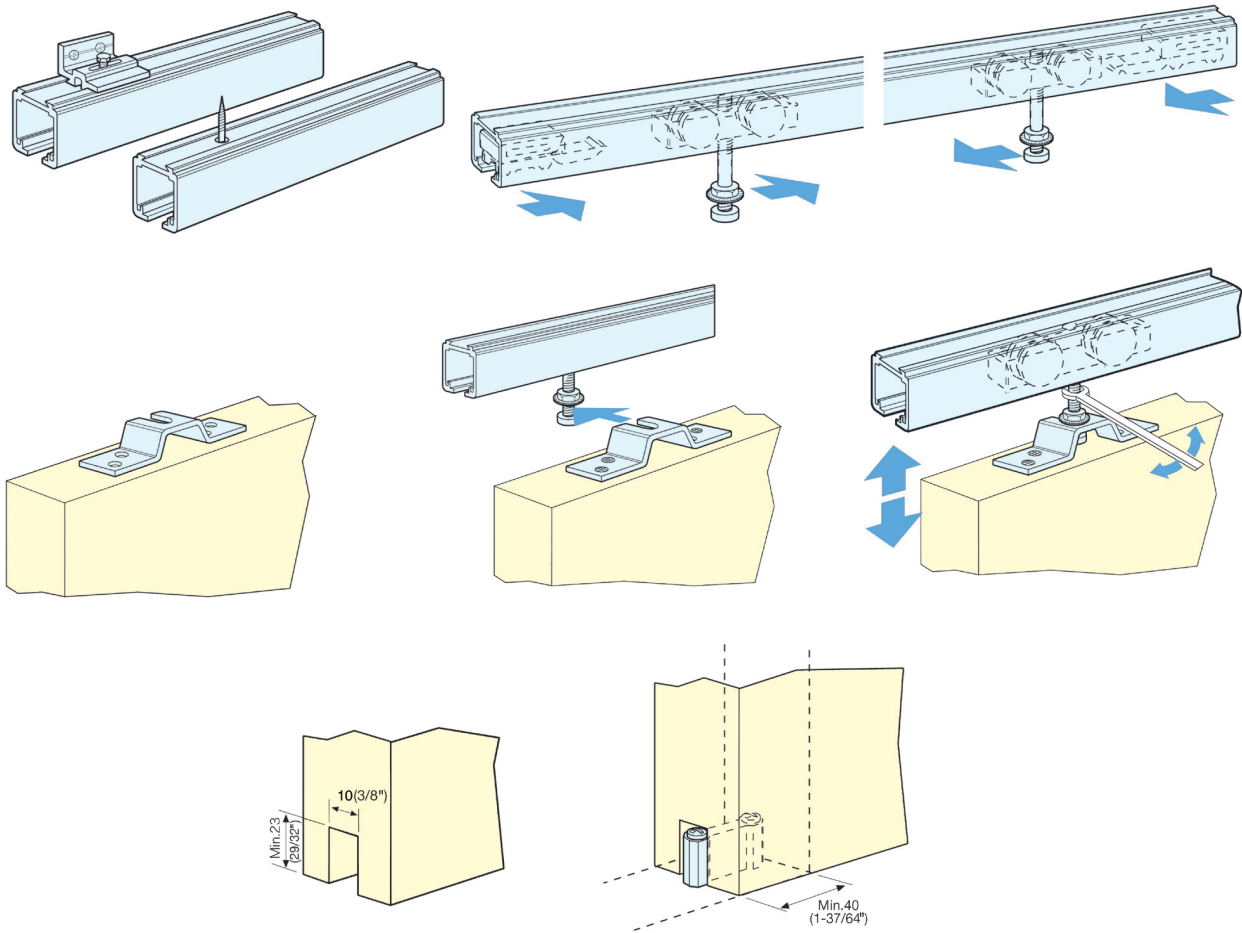
TOP SURFACE MOUNT

 <p>Item No.: KS-2701 (set/door)</p> <p>KS-85 parts kit for one door Contents: 2 rollers, 2 adjustment bolts, 1 guide, 2 brackets, 2 locking device stoppers, screws and mounting instructions</p>	 <p>Item No.: KS-2721 (set/door)</p> <p>KS-125 parts kit for one door Contents: 2 rollers, 2 adjustment bolts, 1 guide, 2 brackets, 2 locking device stoppers, screws and mounting instructions</p>
---	---

FLUSH MOUNT

 <p>Item No.: KS-2705 (set/door)</p> <p>KS-85 parts kit for one door Contents: 2 rollers, 2 adjustment bolts, 2 locking device stoppers, 2 suspension blocks, 1 bottom guide, screws and mounting instructions</p>	 <p>Item No.: KS-2725 (set/door)</p> <p>KS-125 parts kit for one door Contents: 2 rollers, 2 adjustment bolts, 2 locking device stoppers, 2 suspension blocks, 1 bottom guide, screws and mounting instructions</p>
---	---

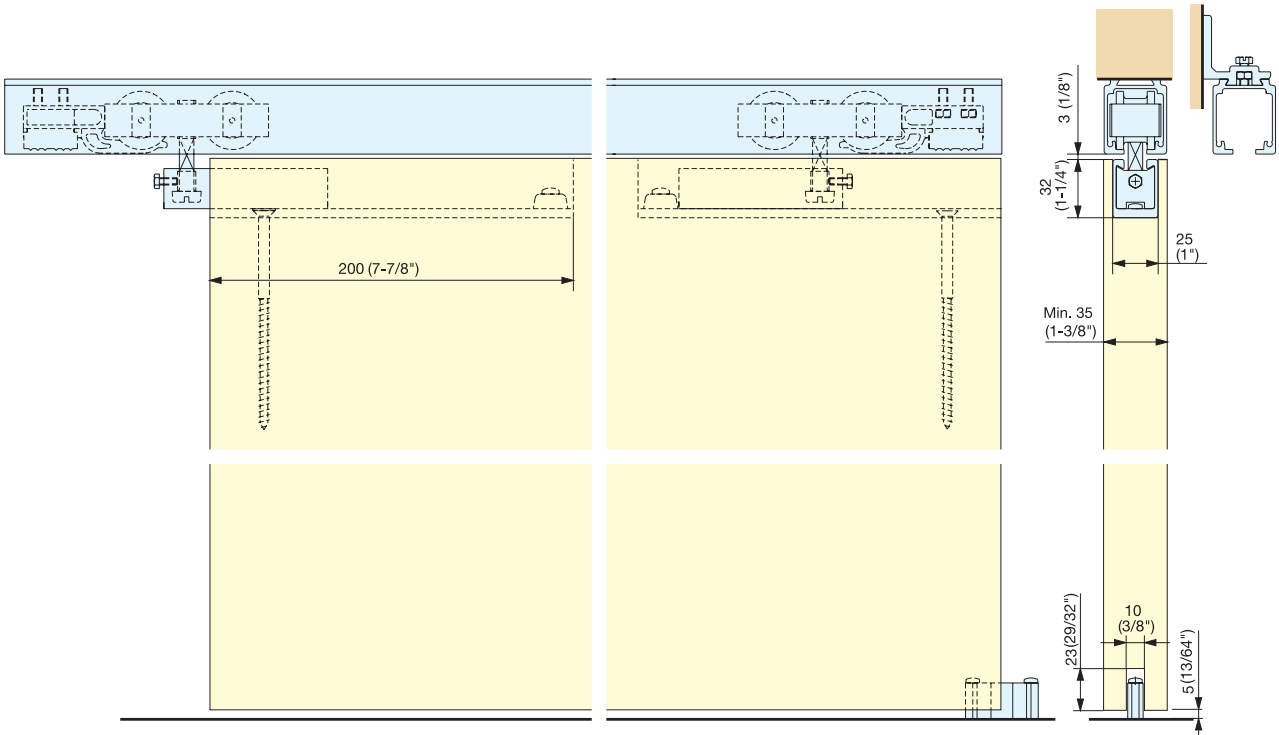
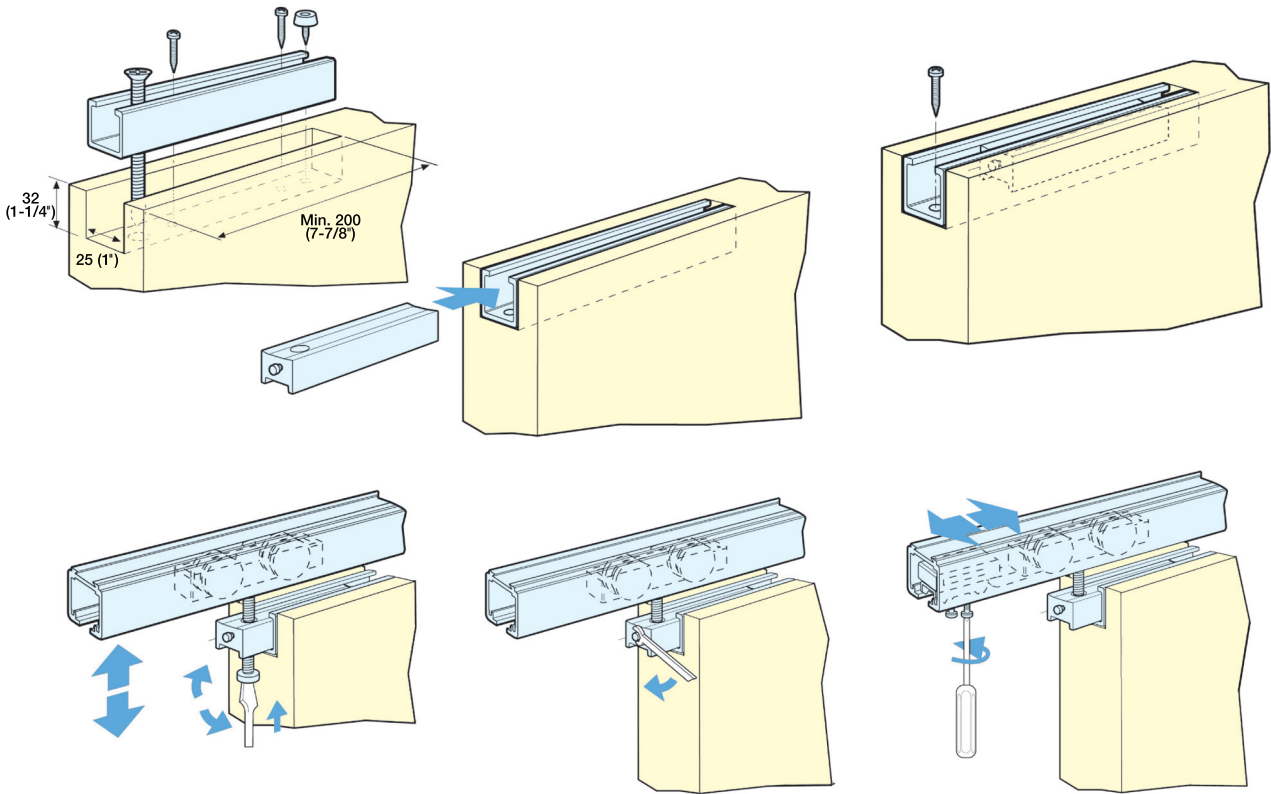
Top Surface Mount Dimensions



Flush Surface Mount Dimensions

SLIDING & FOLDING
DOOR HARDWARE

SLIDING DOOR SYSTEM (DOOR WEIGHT 187 LBS, 275 LBS)



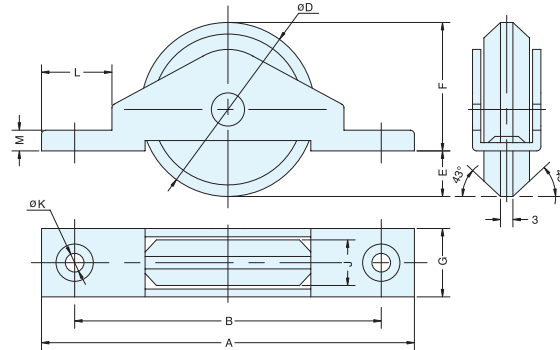
SLIDING DOOR ROLLER

STAINLESS
304
STEEL

FMS, FDS, FES



- Smooth and quiet movement with plastic rollers.
- FES and FMS are equipped with ball bearings providing easy operating even with heavy load.



Part Name	Series	Material	Finish
Bracket, Pin	FDS, FES, FMS	304 Stainless Steel	Plain
Wheel	FDS, FES	Polyacetal	White
	FMS	MC Nylon	Blue

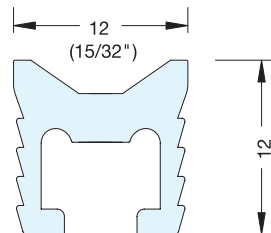
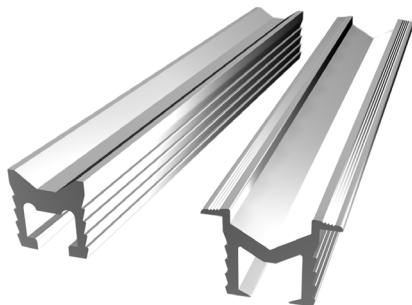
Item No.	A	B	D	E	F	G	J	K	L	M	Load Capacity (kg) /per 2pcs	Weight (g)	Box (pcs)	Carton (pcs)
FDS-0259	60 (2-23/64")	50	25	5	20	11	7	3	10	1.2	15 (33 lbs)	15	20	200
FDS-0339	74 (2-29/32")	63	33	5.5	27.5	13	8	4	12	1.5	25 (55 lbs)	25		
FES-0339	68 (2-43/64")	57	33	7	26	13	9	4	14	5	50 (110 lbs)	35	12	120
FES-0429	92 (3-5/8")	76	42	6	36	14	9	4	18	5	70 (154 lbs)	60	4	40
FMS-0509	110 (4-21/64")	85	50	8	42	17	11	5	19	5	100 (220 lbs)	95		

"V" RAIL FOR SLIDING DOOR

ALUMINUM

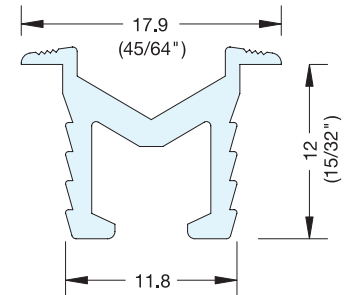
AV

- Bottom rail for FMS, FDS, FES Rollers.



Item No.: AVF-12S/1820

Applicable Rollers: FDS-0259, FDS-0339
FES-0339, FES-0429
FMS-0509



Item No.: AVED-12S/1820

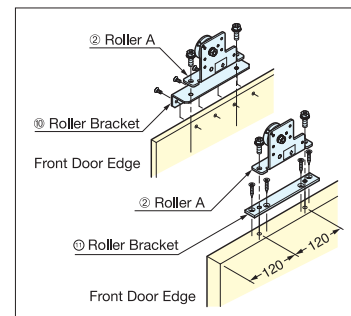
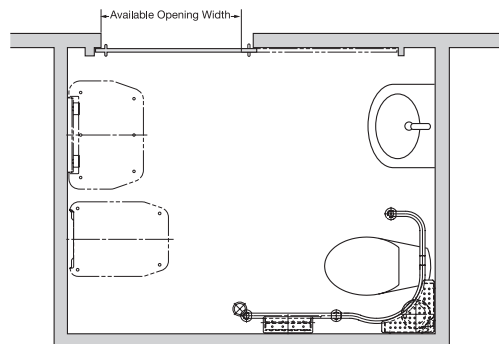
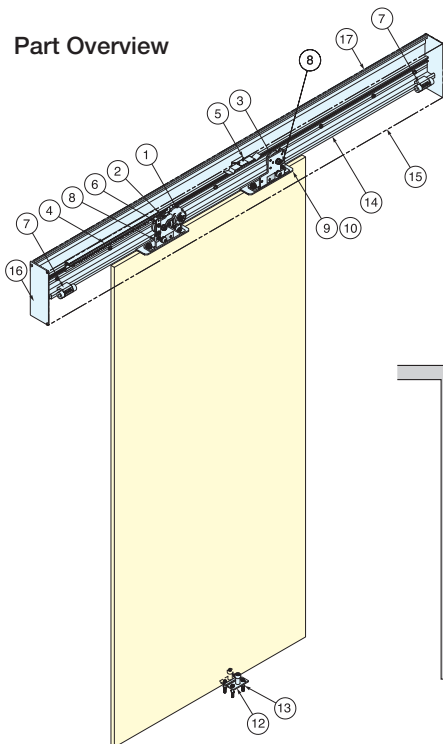
Applicable Rollers: FDS-0259, FDS-0339
FES-0339, FES-0429

Item No.	Length	Weight (g)	Box (pcs)	Carton (pcs)	Material	Finish
AVF-12S/1820	1820 (71-5/8")	256	1	10	Aluminum	Anodized
AVED-12S/1820		309				

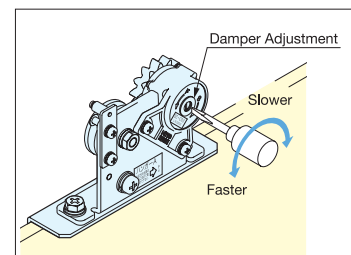
SELF CLOSING SLIDING DOOR SYSTEM (Door Weight 66~176 lbs)
LM-80
**SLIDING & FOLDING
DOOR HARDWARE**
SELF CLOSING SLIDING DOOR SYSTEM (DOOR WEIGHT 66~176 LBS)


Item No.	LM-80
Door Width	700-1200 mm (27-9/16"~47-1/4")
Door Thickness	13 or 28-40 mm (1/2" or 1-1/8"~1-9/16")
Door Weight	30~80 kg/Door (66~176 lbs/door)
Door Travel	Max. 1100 mm (in case of door width 1200 mm) Max. 43-5/16" (in case of door width 47-1/4")

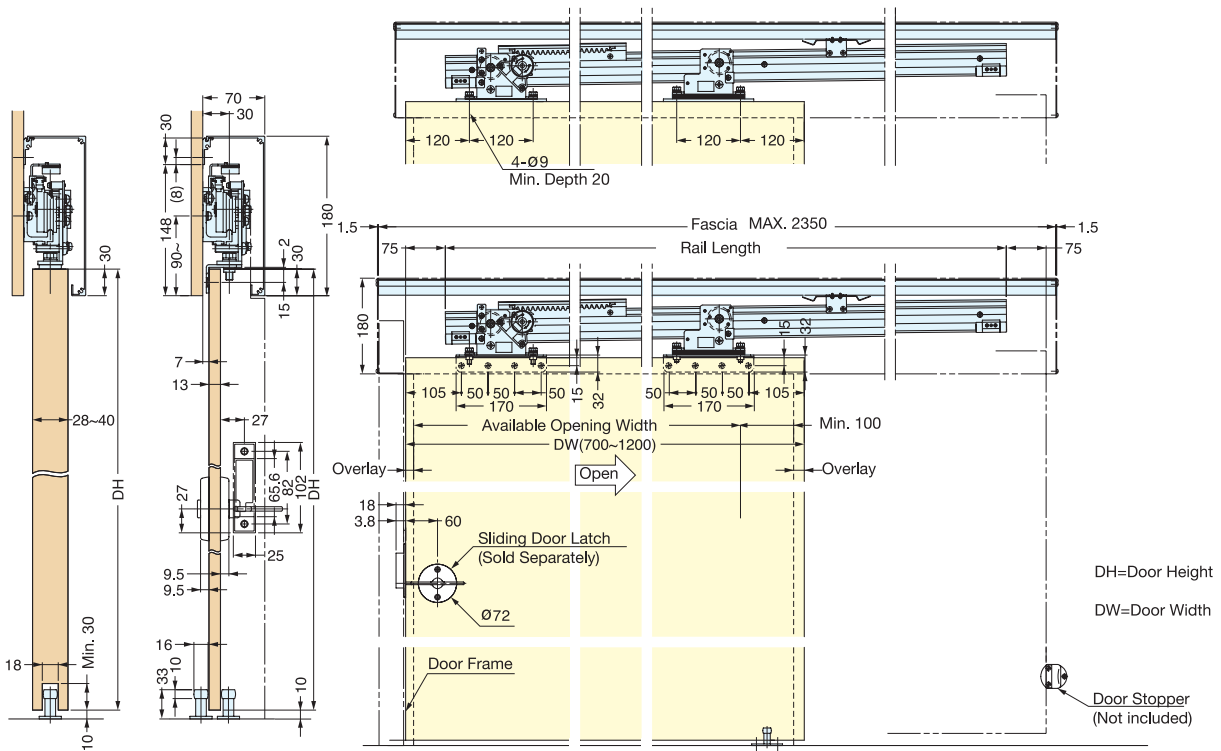
- Self closing sliding door system.
- Equipped with damper for smooth and soft closing, eliminating slam shut.
- Dampening speed adjustable for best soft closing.
- Wall surface mount type for easy installation.
- No bottom rail needed for clean appearance.
- Door opens lightly for easy operation.
- Door catch included to hold door in fully open position.
- Designed for 13 mm solid phenolic panel or 28~40 mm thick wood doors.
- Non-handed.
- Glass door system available (See P.530).

Part Overview




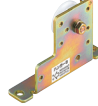




Roller Brackets for solid phenolic panel and wood door included.




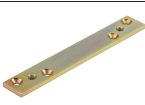








Closing speed adjustable by turning adjustment screw on damper.



Part Details

No.	①	②	③	④	⑤	⑥	⑦
Name	Damper	Roller A	Roller B	Gear Rack	Spring	Stopper Roller	Door Stopper
							
Qty. / Set	1 pc	1 pc	1 pc	1 pc	1 pc	1 pc	2 pcs

No.	⑧	⑨	⑩	⑪	⑫	⑬	⑭
Name	Stopper Plate	Height Adjustment Spacer	Roller Bracket (For Solid Phenolic)	Roller Bracket (For Wood)	Bottom Roller Guide	Anchor	Roller Rail (2200mm)
							
Qty. / Set	2 pcs	t1:15 pcs, t0.5:1 pc	2 pcs	2 pcs	2 pcs	4 pcs	1 pc

No.	⑮	⑯	⑰
Name	Fascia (2350mm)	Side Cover	Mounting Plate (For Fascia) (2350mm)
			
Qty. / Set	1 pc	1 pc ea. (Left & Right)	1 pc

No.	Option
Name	Latch w/indicator
Item No.	ET-125T
	
Qty. / Set	1 pc

LATERAL OPENING DOOR SYSTEM

FAD-54 / FAD-54L

SLIDING & FOLDING DOOR HARDWARE



Handle on picture sold separately. (Item No. : XLA-HH series)

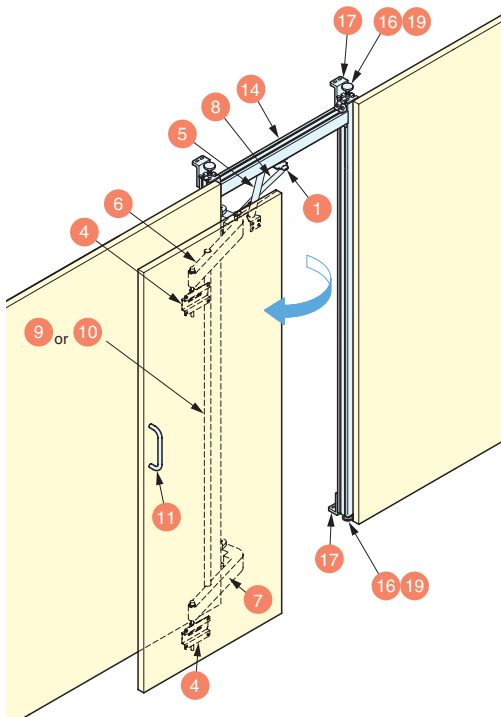
MonoFlat FAD™

Item No.	FAD-54	FAD-54L
Door Width	800~850 mm (31-1/2"~33-15/32")	
Door Height	Max. 2380 mm (93-11/16")	Max. 2980 mm (117-5/16")
Door Thickness	24~38 mm (61/64"~1-1/2")	
Door Weight	Max. 35 kg (77 lbs)/Door	

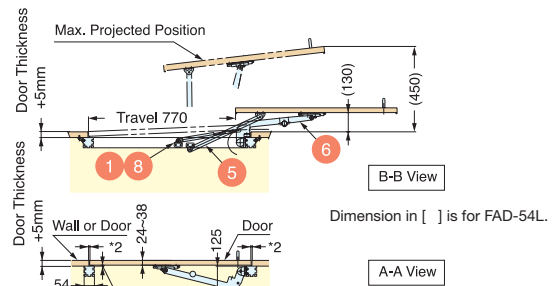
*In case of 25mm (1") overlay.

- Other "MonoFlat series" available.
 - MonoFlat FAD-5 For door weight 5 kg (11 lbs) - P.557
 - MonoFlat FAD-20 For door weight 20 kg (44 lbs) - P.558-559
 - MonoFlat LIN-X For door weight 24 kg (53 lbs) - P.550-555
 - MonoFlat Unison For door weight 30 kg (66 lbs) - P.516-517

LATERAL OPENING DOOR SYSTEM



- Flush Surface**
Designed to close flush against surrounding walls, providing clean appearance.
- Lateral Opening Mechanism**
Allows doors to swing out laterally in a small radius, ideal for tight front space application.
- Aluminum frame supplied for durable construction**
- No rails or bottom guide required**
- Smooth Movement**
Built-in gas spring provides a smooth self opening & closing movement.
- Height adjustable by cutting arm connecting pipe**
- Various applications**
Can be used in single or double door configuration.
Ideal for walk-in closets, partitions, hidden door applications etc.



Various Opening Configurations

Left Hand Use



Right / Left Combinations

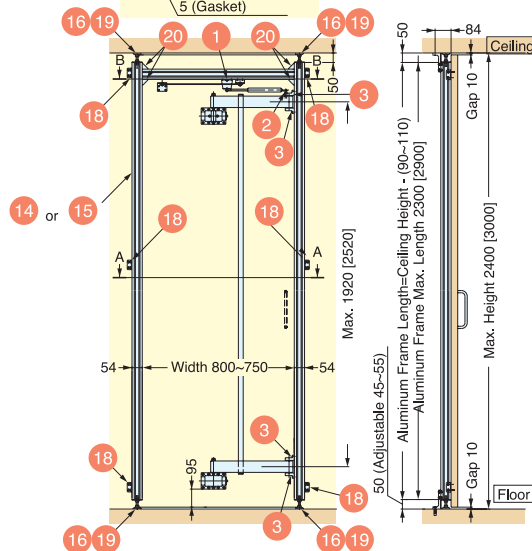
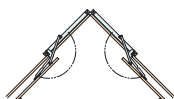


Right Hand Use



*1 Vertical frame or door stoppers on floor for both doors required in center.

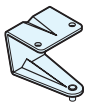

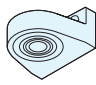
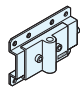
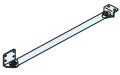
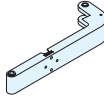
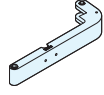
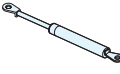
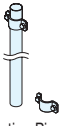
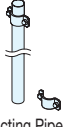
Corner Use



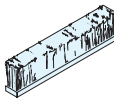



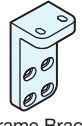


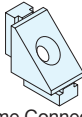


*2 Min.4mm gap on both side of door.

Parts Set (per door)		Necessary Parts	
Item No.	Door Height	Description	
FAD-54	Max. 2380 mm (93-11/16")	Please see Qty a	
FAD-54L	Max. 2980 mm (117-5/16")	Please see Qty b	

Parts Included

No.	Qty		Part Name	Description
	a	b		
1	1pc	1pc	 Gas Spring Bracket	<ul style="list-style-type: none"> Material / Steel Finish / Clear Zinc Chromate
2	1pc	1pc	 Screw Pin	<ul style="list-style-type: none"> Material / Steel Finish / Clear Zinc Chromate
3	4pcs	4pcs	 Bearing Housing	<ul style="list-style-type: none"> Material / Aluminum Finish / Color - Silver
4	2pcs	2pcs	 Arm Bracket	<ul style="list-style-type: none"> Material / Steel, Polyacetal Finish / Color - Silver
5	1pc	1pc	 Support Arm	<ul style="list-style-type: none"> Material / Steel, Polyacetal Finish / Color - Silver
6	1pc	1pc	 Upper Arm	<ul style="list-style-type: none"> Material / Aluminum Finish / Color - Silver
7	1pc	1pc	 Bottom Arm	<ul style="list-style-type: none"> Material / Aluminum Finish / Color - Silver
8	1pc	1pc	 Gas Spring	<ul style="list-style-type: none"> Color / Grey
9	1set	-	 Connecting Pipe & Clamp	<ul style="list-style-type: none"> Material / Steel Finish / Color - Silver 1990 mm
10	-	1set	 Connecting Pipe & Clamp	<ul style="list-style-type: none"> Material / Steel Finish / Color - Silver 2600 mm

No.	Qty		Part Name	Description
	a	b		
11	1pc	1pc	 Handle	<ul style="list-style-type: none"> Material / 304 Stainless Steel Finish / Mirror
12	1pc	1pc	 Bumper	<ul style="list-style-type: none"> Material / Polyurethane Finish / Clear
13	1pc	1pc	 Strip Brush	<ul style="list-style-type: none"> Color / Grey
14	V 2pcs H 1pc	-	 Alum. Frame (FAD-54) (V2300mm, H800mm)	<ul style="list-style-type: none"> Material / Aluminum Finish / Anodized
15	- V 2pcs H 1pc	-	 Alum. Frame (FAD-54L) (V2900mm, H800mm)	<ul style="list-style-type: none"> Material / Aluminum Finish / Anodized
16	4pcs	4pcs	 Glide Base	<ul style="list-style-type: none"> Material / Steel Finish / Color - Silver
17	4pcs	4pcs	 Frame Bracket	<ul style="list-style-type: none"> Material / Aluminum Finish / Color - Silver
18	6pcs	6pcs	 Angle Connector	<ul style="list-style-type: none"> Material / Steel Finish / Clear Zinc Chromate
19	4pcs	4pcs	 Leveling Glide	<ul style="list-style-type: none"> Material / Steel, Elastomer Finish / Color <ul style="list-style-type: none"> - Clear Zinc Chromate - Black
20	8pcs	8pcs	 Frame Connector	<ul style="list-style-type: none"> Material / Aluminum, Zinc Alloy Finish / Silver, Chromate

FLUSH SLIDING DOOR SYSTEM

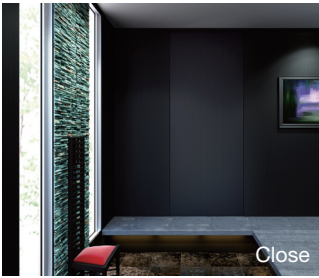
MFU

SLIDING & FOLDING
DOOR HARDWARE

FLUSH SLIDING DOOR SYSTEM



MFU-1000-L shown.



MonoFlat UNISON®

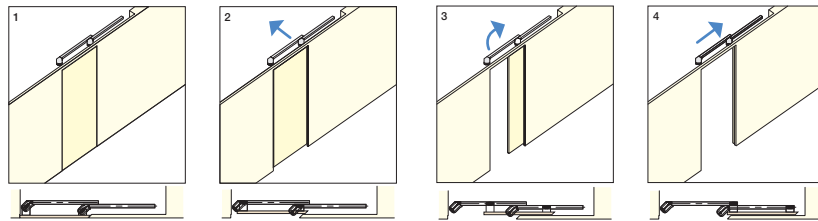
Door Width	800~1000 mm (31-1/2"~39-3/8")
Door Height	Max. 2500 mm (98-7/16")
Door Thickness	*28~30 mm (1-3/32"~1-3/16")
Door Weight	Max. 30 kg (66 lbs)
Adjustability	Depth: ±3.5 mm (1/8")
	Horizontal: ±4 mm (5/32")
	Vertical: ±4 mm (5/32")

*Can be used on door thicker than 30 mm (1-3/16") by mortising hanging bracket into the door.

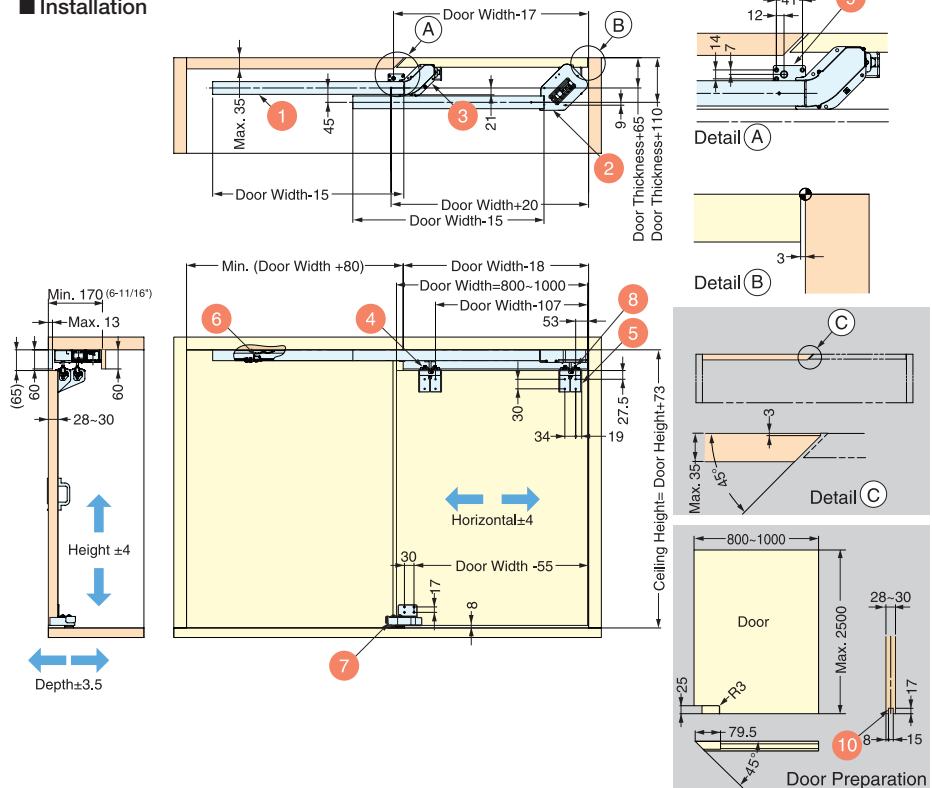
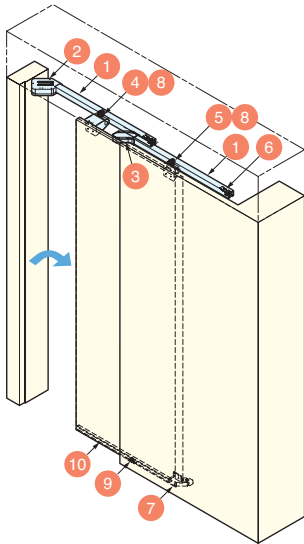
- **Flush Surface**
Designed to close flush against surrounding walls, providing clean appearance.
- **Unique Movement**
Door moves in first, and then slides sideways.
- **Clean Appearance**
No bottom rails on floor required on MFU-1000-R/L

Note: Hardware must be installed onto a rigid frame, ceiling or wall to prevent door from falling off.

How the door moves

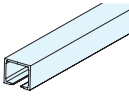
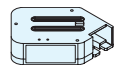
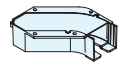
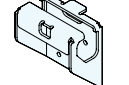
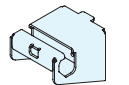


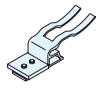
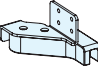

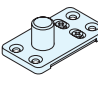
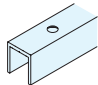
Installation



Parts Set (per door)		Necessary Parts	
Item No.		Description	
MFU-1000-R		For Right-Handed Opening	
MFU-1000-L		For Left-Handed Opening	

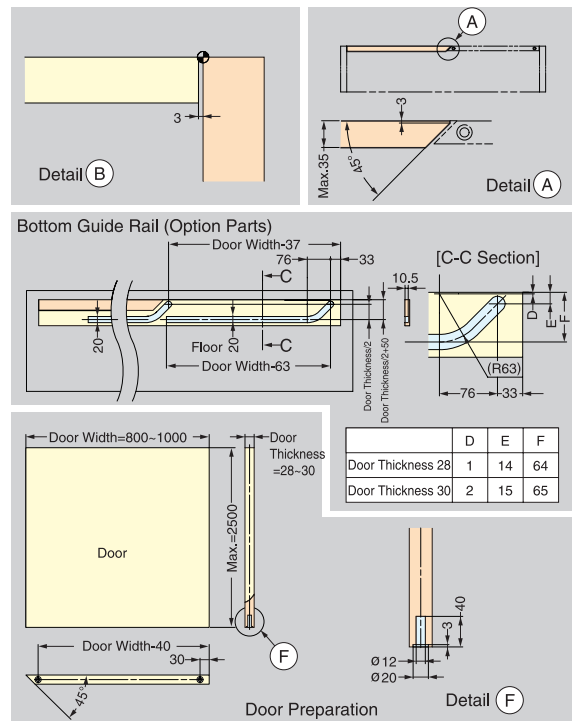
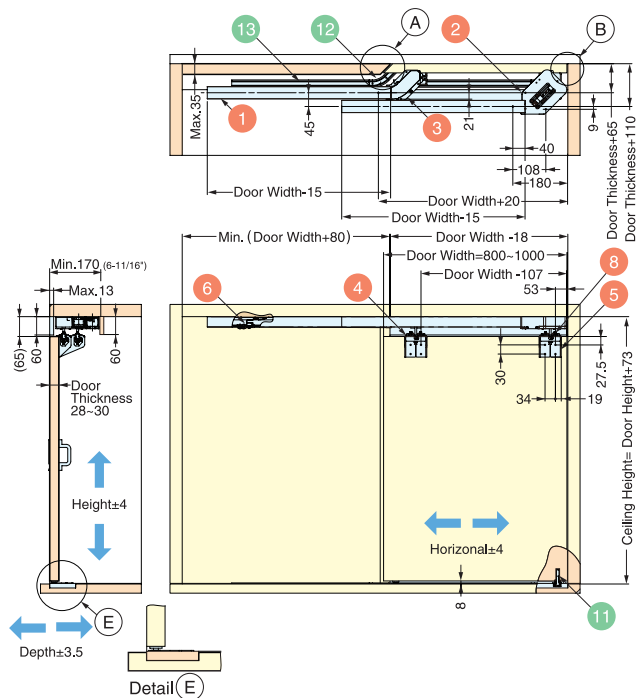
Parts Included

No.	Qty	Part Name	Description
1	2 pcs	 Upper Track	<ul style="list-style-type: none"> Material / Aluminum Finish / Anodized
2	1 pc	 Guide Block (Top)	<ul style="list-style-type: none"> Material / Aluminum, Polycarbonate Finish / Silver White
3	1 pc	 Guide Block (Bottom)	<ul style="list-style-type: none"> Material / Aluminum Finish / Silver
4	1 pc	 Upper Bracket A	<ul style="list-style-type: none"> Material / Steel Finish / Chromate
5	1 pc	 Upper Bracket B	<ul style="list-style-type: none"> Material / Steel Finish / Chromate

No.	Qty	Part Name	Description
6	1 pc	 Stopper	<ul style="list-style-type: none"> Material / PBT, Steel Finish / White, Yellow Zinc Chromate
7	1 pc	 Lower Guide	<ul style="list-style-type: none"> Material / Steel Finish / Chromate
8	2 pcs	 Upper Roller	<ul style="list-style-type: none"> Material / POM, Steel Finish / Natural, Chromate
9	1 pc	 Bottom Guide Pin	<ul style="list-style-type: none"> Material / Polyamide Finish / Yellow Zinc Chromate, Light Brown
10	1 pc	 Guide Track	<ul style="list-style-type: none"> Material / Aluminum Finish / Anodized

■ Installation - With option parts for floor mounted recessed guide track.

Item No.	Description	Parts Included
MFU-1000RG-SL-R	For Right-Handed Opening	11 Guide Pin FD30-FGR
MFU-1000RG-SL-L	For Left-Handed Opening	12 Lower Guide Track FD30-FBRH910SIL
		13 Recessed Guide Track MFU-RG-GR-(L/R)



ALUMINUM FRAME SWING DOOR (2 WAY ADJUSTABLE)

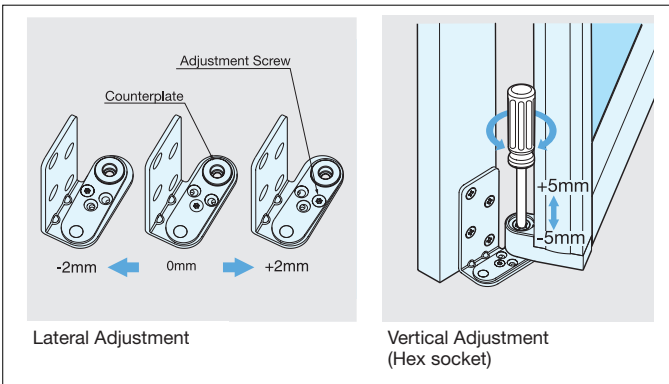
AF-25D

SLIDING & FOLDING
DOOR HARDWARE

ALUMINUM FRAME SWING DOOR (2 WAY ADJUSTABLE)



Adjustable Hinge

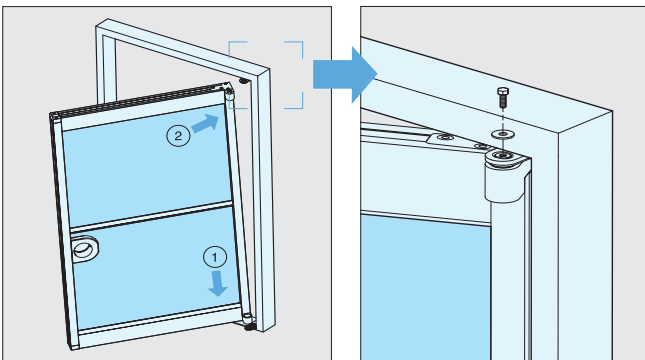


- Aluminum profile provides excellent rigidity preventing door flex.
 - Intermediate support not needed when door size within H 2200mm x W 900mm (H 86-39/64" x W 35-7/16").
 - Vertically and laterally adjustable after installed.
 - Hinge is non-handed.
 - Sliding door version available.
- Please see P.522-525 for details.

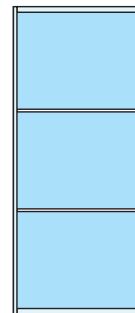
Door Height	Max. 2500 mm (98-27/64")
Door Width	Max. 1000 mm (39-3/8")
Door Weight	Max. 40 kg (88 lbs)
Glass Thickness	5 or 6 mm
Standard Size	H 2200 mm x W 900 mm (H 86-39/64" x W 35-7/16")

* Intermediate support required when either door height or door width exceeds standard size.

Easy Door Installation

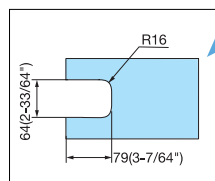
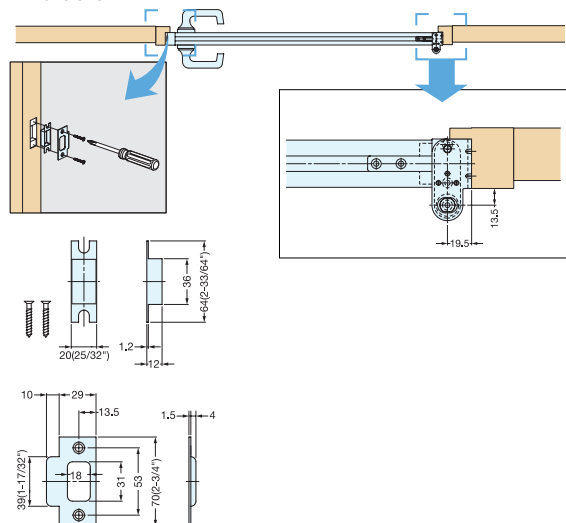


Standard Size
(Smaller than H 2200 x W 900)

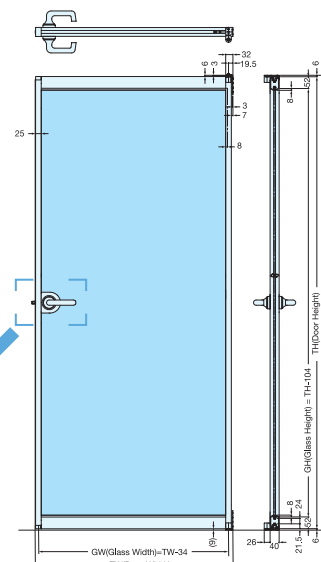


2 Supports
(Smaller than H 2500 x W 800)

Dimensions



Cut Out Dimension

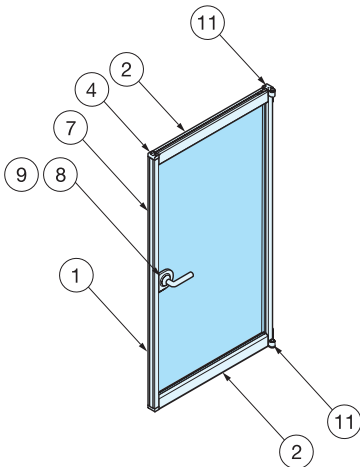


Part Details (for one door)

No.	Item No.	Part Name	Dimensions	Quantity	Description
①	AF-25-W01	Vertical Frame		Necessary quantity	<ul style="list-style-type: none"> Material: Aluminum Finish / Color: Matte Silver Length: 2500 mm (98-27/64")
②	AF-25-W02	Horizontal Frame		Necessary quantity	<ul style="list-style-type: none"> Material: Aluminum Finish / Color: Matte Silver Length: 2000 mm (78-47/64")
③	AF-25-W03	Intermediate Support (Optional)		Necessary quantity	<ul style="list-style-type: none"> Material: Aluminum Finish / Color: Matte Silver Length: 2000 mm (78-47/64")
④	AF-25-P04	Connector		4 pcs	<ul style="list-style-type: none"> Material: Zinc Alloy Finish / Color: Matte Chrome
⑤	AF-25-P02 (For 5mm Glass)	Gasket		Necessary quantity	<ul style="list-style-type: none"> Material: Elastomer Finish / Color: Light Grey Length: 2500 mm (98-27/64") (AF-25-P02), 3000 mm (118-7/64") (AF-25-P15)
	AF-25-P15 (For 6mm Glass)				
⑥	AF-25-P03 (For 5mm Glass)	Gasket for Intermediate Support (Optional)		Necessary quantity	<ul style="list-style-type: none"> Material: Elastomer Finish / Color: Light Grey Length: 2500 mm (98-27/64") (AF-25-P03), 2500 mm (98-27/64") (AF-25-P16)
	AF-25-P16 (For 6mm Glass)				
⑦	AF-25-P01-25	Edge Cover		Necessary quantity	<ul style="list-style-type: none"> Material: Synthetic Rubber Finish / Color: Light Grey Length: 2500 mm (98-27/64")

No.	Item No.	Part Name	Dimensions	Quantity	Description	
⑧	AF-25-P06	Handle Case A		1 set	<ul style="list-style-type: none"> ● Material Zinc Alloy ● Finish / Color Matte Silver (Cover) 	
		Handle Case B				
⑨	<ul style="list-style-type: none"> ● HCSA138F11 (Passage) ● HCSA138SF11G (Cylinder Lock & Thumbturn) ● HCSA138SF11H (Indicator & Thumbturn) ● HCSA138SF11M (Privacy & Thumbturn) 	Lever Handle		1 set	<ul style="list-style-type: none"> ● Material Aluminum ● Finish / Color Anodized, Satin *Passage: No Lock Privacy: Thumbturn and Slotted Lock Combination. Can be opened from outside with small coin or screwdriver. 	
		HCSA138F11 is shown.				
		Strikeplate			Included in Lever Handle package	<ul style="list-style-type: none"> ● Material Steel, Polyamide ● Finish / Color Plain, Black ● Screw 4x30 Flat Head Screw x 2 included
		Pivot Hinge for Aluminum Frame			1 pair	<ul style="list-style-type: none"> ● Material Zinc Alloy (Body) 304 Stainless Steel (Bracket) ● Finish / Color Matte Chrome (Body) Plain (Bracket)
⑫	AF-25-DS	Screw Set for AF-25D		1 set	<ul style="list-style-type: none"> ● Material 304 Stainless Steel ● Finish / Color Plain ● Screws Breakdown M6 x 30 Hex. Socket Cap x 8pcs M4 x 30 Hex. Socket Cap x 6pcs M4 x 25 Hex / Flat Head x 12pcs 5 x 30 Hex / Flat Head x 8pcs *Screws for 3 Intermediate Supports included. 	

* Glass not included.



ORDERING INFO:

Please order parts based on required door size and opening dimensions.

e.g.) Single Swing Door Application

Door Size: H 2200 x W 900 mm (H 86-5/8" x W 35-7/16")

Glass Thickness: 6 mm

Qty	No.	Item No.
2	①	AF-25-W01
1	②	AF-25-W02
-	③	AF-25-W03
4	④	AF-25-P04
3	⑤	AF-25-P15 (For 6 mm Glass)
-	⑥	AF-25-P16 (For 6 mm Glass)
2	⑦	AF-25-P01-25
1	⑧	AF-25-P06
1	⑨⑩	HCSA138F11 (Passage Type)
1	⑪	AF-25-P10
1	⑫	AF-25-DS

Functional Sliding Door Systems

Sugatsune - progressive sliding door systems for the modern interior. Sliding doors allow home dwellers to utilize more space in a room than traditional hinged doors because of its minimalized opening and closing profile. Our innovative sliding door systems add unique features such as soft closing, soft opening, discreet flush appearance, folding, and frameless glass mounting. If you're looking for an unparalleled look within your home, look no further than our product line.



Two-Way Soft Close



Slidable Folding Door



Frameless Glass Sliding Door



Self - Close



Flush Close

ALUMINUM FRAME SLIDING DOOR (Door Weight 176 lbs)

FD80-AF

SLIDING & FOLDING
DOOR HARDWARE

ALUMINUM FRAME SLIDING DOOR (DOOR WEIGHT 176 LBS)

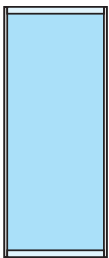


Type	FD80-AF			
	Standard Sliding		Two-Way Soft Close	
Roller	Top Recessed	Top Surface	Top Recessed	Top Surface
Door Weight	Max. 80 kg (176 lbs)			
Glass Thickness	5 or 6 mm			
Door Width	Max. 1500 mm (59-1/16")		804~1500 mm (31-5/8"~59-1/16")	
Door Height	Max. 2500 mm (98-27/64")			

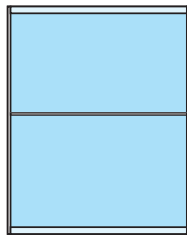
- Two-way soft closer option available.
- Top surface or recessed mount roller available.
- Thick aluminum profile provides excellent rigidity preventing door flex.
- Ball bearing roller provides ultra smooth movement.
- Easy assembly and installation.
- Intermediate support not needed when door size within H 2200mm x W 900mm (H 86-39/64" x W 35-7/16").
- No rail on floor needed.
- Swing door version available for total coordination. Please see P.518-520 for details.
- Black frame available by special order only.



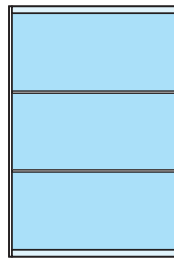
* Intermediate support required when either door height or door width exceeds standard size. Pictures shown below are door size examples which require intermediate support.



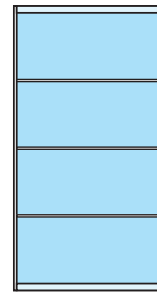
Standard Size
(Smaller than H 2200 x W 900)



1 Support
(Smaller than H 2000 x W 1600)



2 Supports
(Smaller than H 2200 x W 1500)



3 Supports
(Smaller than H 2500 x W 1300)

Parts Set (per door)		Necessary Parts	
Please refer to "Qty [a] - [d]" for parts included in each set.			
	Item No.	Description	
		Roller	Function
[a]	FD80-DHCHP-AF	Top Recessed	Two Way Soft-Close
[b]	FD80-HHP-AF	Top Recessed	Standard Sliding
[c]	FD80-DHCMP-AF	Top Surface	Two Way Soft-Close
[d]	FD80-HMP-AF	Top Surface	Standard Sliding

Parts Included

No.	Qty				Part Name	Description
	[a]	[b]	[c]	[d]		
1	1 pc	-	-	-	Top Recessed Roller Soft-Closer (Two-Way) FD80-WRH-DSC	<ul style="list-style-type: none"> Material Zinc Alloy / Polyacetal / Steel Finish Nickel / Black
2	1 pc	2 pc	-	-	Top Recessed Roller Standard Sliding FD80-WRH	<ul style="list-style-type: none"> Material Zinc Alloy / Polyacetal / Steel Finish Nickel / Natural
3	-	-	1 pcs	-	Top-Surface Roller Soft-Closer (Two-Way) FD80-WRM-DSC	<ul style="list-style-type: none"> Material Zinc Alloy / Polyacetal / Steel Finish Nickel / Black
4	-	-	1 pc	2 pcs	Top-Surface Roller Standard Sliding FD80-WRM	<ul style="list-style-type: none"> Material Zinc Alloy / Polyacetal / Steel Finish Nickel / Natural
5	1 pc	1 pc	1 pc	1 pc	Floor Guide FD50-BG18	<ul style="list-style-type: none"> Material 304 Stainless Steel, POM Finish Plain / White
6	-	2 pcs	-	2 pcs	End Stopper FD80-HTST	<ul style="list-style-type: none"> Material Steel / Polyacetal Finish Chromate / White
7	-	-	1 pc	1 pc	Sheet Nut FD80-AFB	<ul style="list-style-type: none"> Material Steel Finish / Chromate
8	2 pcs	2 pcs	-	-	End Cap AF-25HB-EC	<ul style="list-style-type: none"> Material / Elastomer Finish / Grey

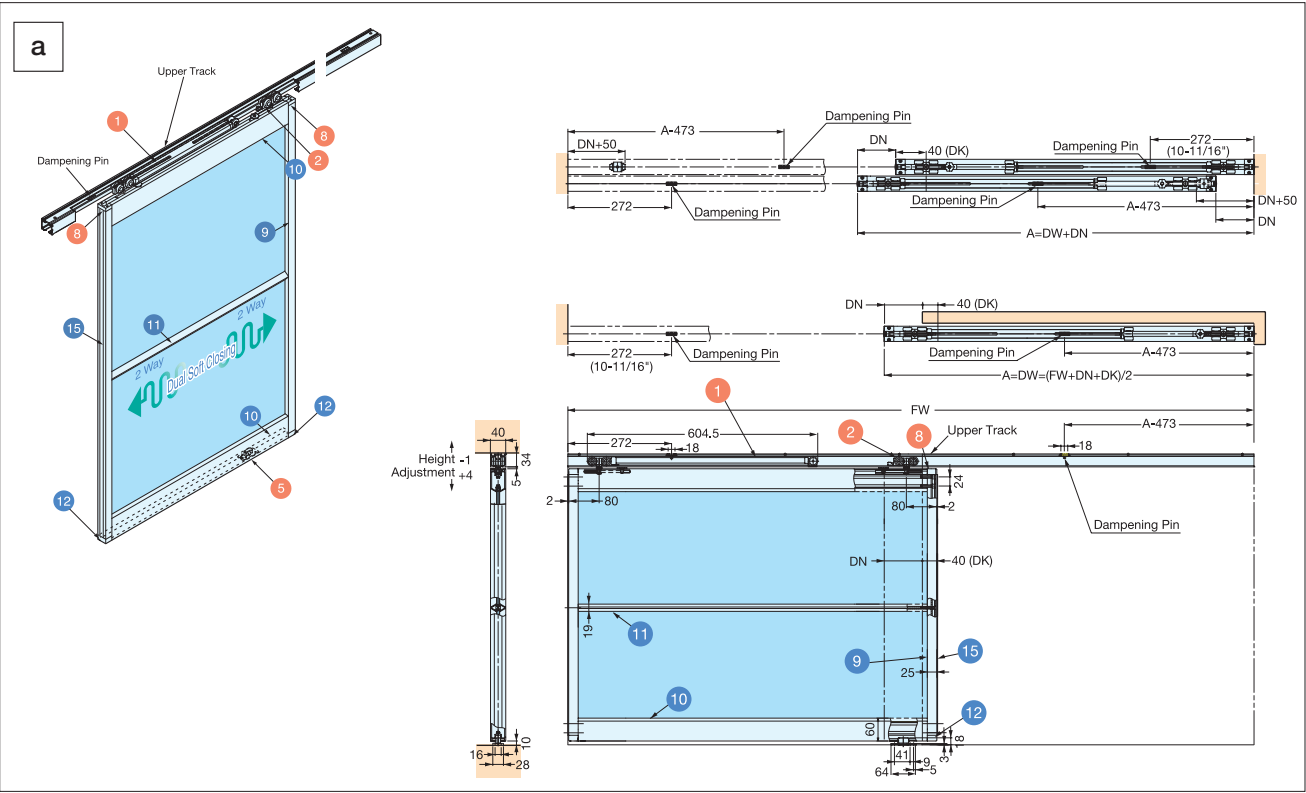
Part Details (for one door)

No.	Part Name	Description
9	Vertical Frame AF-25-W01	<ul style="list-style-type: none"> Material Aluminum Finish Matte Silver
10	Horizontal Frame AF-25-W02	<ul style="list-style-type: none"> Material Aluminum Finish Matte Silver
11	Intermediate Support (Optional) AF-25-W03	<ul style="list-style-type: none"> Material Aluminum Finish Matte Silver
12	Connector AF-25-P04	<ul style="list-style-type: none"> Material Zinc Alloy Finish Matte Chrome
13	Gasket	<ul style="list-style-type: none"> Material Elastomer Finish Light Grey
14	Gasket for Intermediate Support (Optional)	AF-25-P02 (For 5mm Glass)
		AF-25-P15 (For 6mm Glass)
14	Gasket for Intermediate Support (Optional)	AF-25-P03 (For 5mm Glass)
		AF-25-P16 (For 6mm Glass)
15	Edge Cover AF-25-P01-25	<ul style="list-style-type: none"> Material Elastomer Finish Light Grey
16	Handle (Optional) MN799Z160E101	<ul style="list-style-type: none"> Material Zinc Alloy Finish Matte Chrome
17	Screw Set for AF-25H AF-25-HS	<ul style="list-style-type: none"> Material 304 Stainless Steel Finish Plain

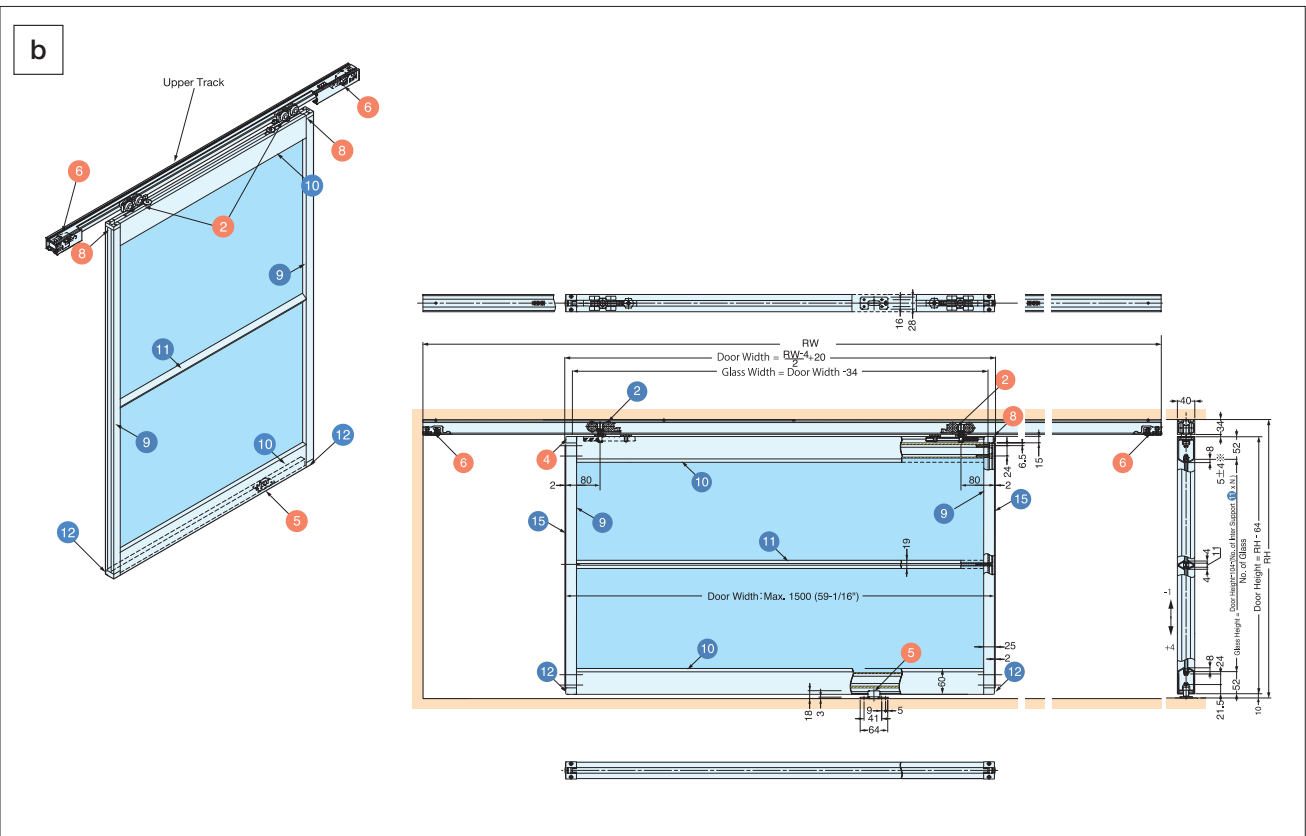
Upper Tracks

Length	Item No.	Dimensions, Material / Finish
78-3/4" (2000 mm)	FD80-TRM2000SIL	 Aluminum / Anodized Silver
107-1/2" (2730 mm)	FD80-TRM2730SIL	
143-5/16" (3640 mm)	FD80-TRM3640SIL	

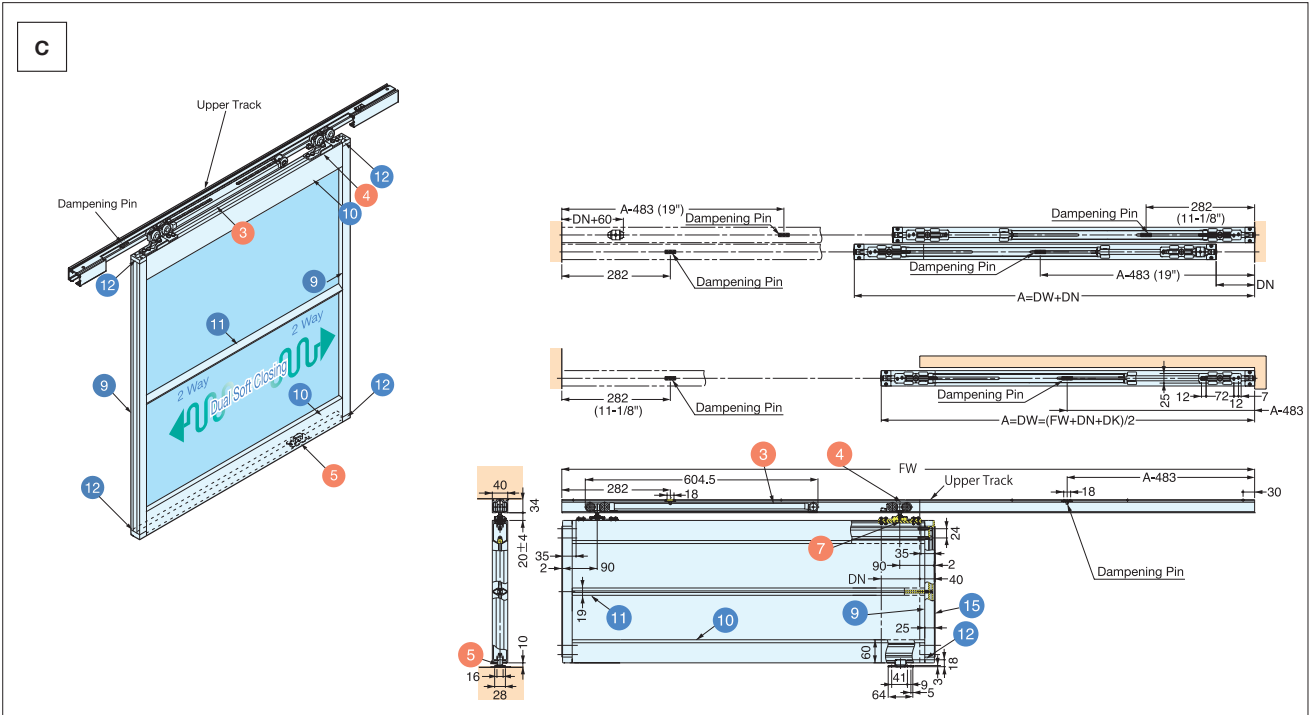
■ FD80-AF / Top Recessed Roller / Two-Way Soft Close



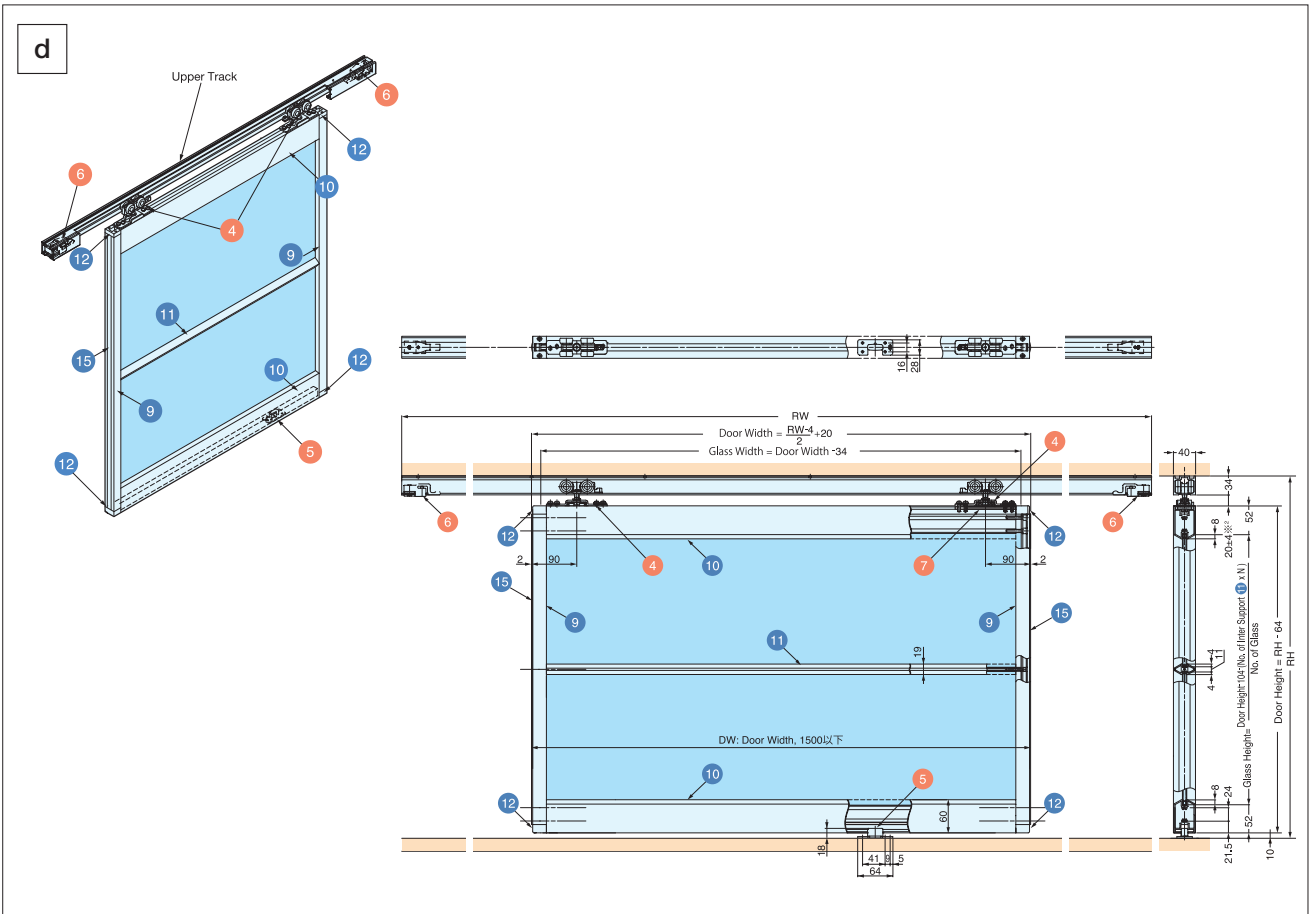
■ FD80-AF / Top Recessed Roller / Standard Sliding



■ FD80-AF / Top Surface Roller / Two-Way Soft Close



■ FD80-AF / Top Surface Roller / Standard Sliding



GLASS SLIDING DOOR SYSTEM (Door Weight 286 lbs)

KSPG

SLIDING & FOLDING DOOR HARDWARE

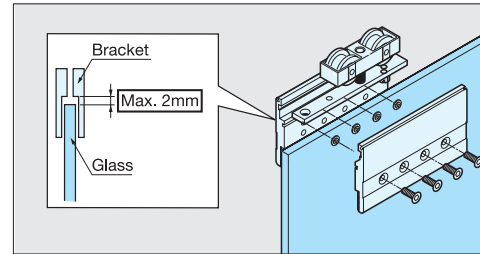
GLASS SLIDING DOOR SYSTEM (DOOR WEIGHT 286 LBS)



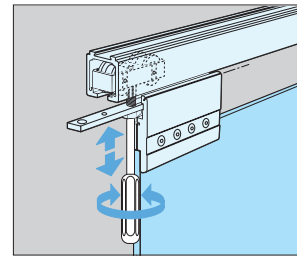
Item No.	KSPG
Weight	Max. 130 kg (286 lbs)
Height	Max. 3000 mm (118-1/8")
Glass Thickness	10 or 12 mm

- Sliding door system for single glass door.
- No pre-drilled holes on glass needed for installation.
- Easy height adjustment.
- *Not for resin panels.

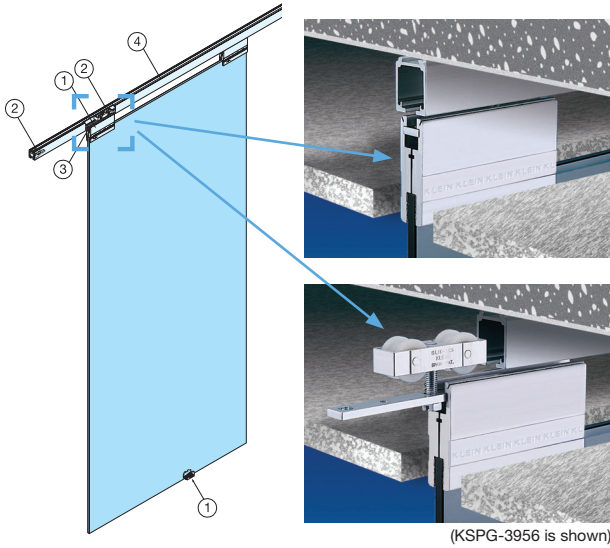
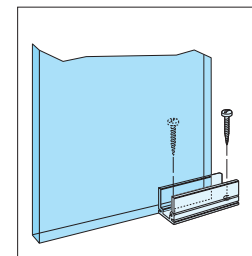
■ Door Installation



■ Adjustment (Height)

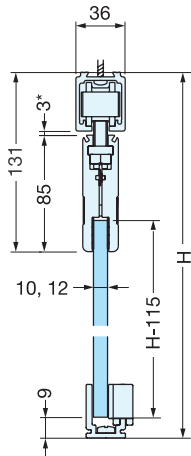


■ Bottom Guide



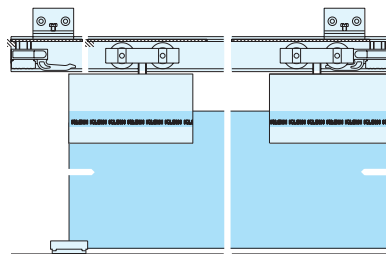
(KSPG-3956 is shown)

■ Dimensions

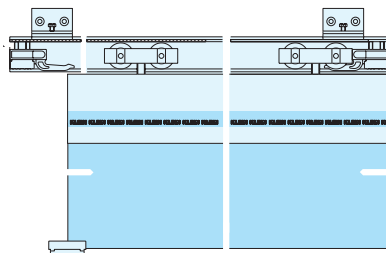


*Must be between 3 mm ~ 5 mm to prevent glass door from falling.

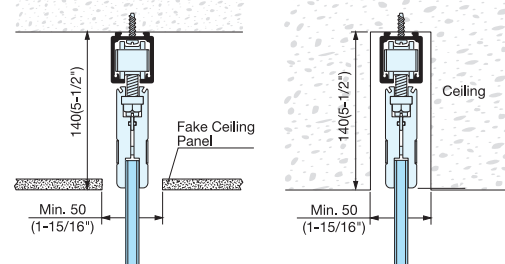
Short Bracket Type



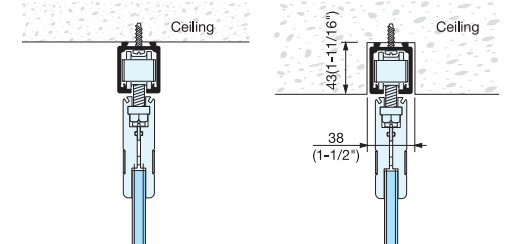
Long Bracket Type (W600, W900, W1200 per bracket)



Application Example



- Short Bracket is designed for application where it can be hidden.



- Long Brackets are designed to cover the top glass edge all the way across.
- Ideal for surface mounting, for application where ceiling space is limited.

Parts Set (per door)		Necessary Parts			
No.	Item No.	Part Name	Quantity	Description 1	Description 2
-	KSPG-3936 (Short Bracket Set)	Glass Bracket	1 set (Select one type)	<ul style="list-style-type: none"> • Material Aluminum • Finish / Color Anodized *2 pcs per set 	• Kit with short bracket. For 10 mm glass.
	KSPG-3956 (Short Bracket Set)				• Kit with short bracket. For 12 mm glass.
	KSPG-PE1043 (W600 Bracket Set)				• Kit with 600 mm bracket. For 10 mm glass.
	KSPG-PE1044 (W600 Bracket Set)				• Kit with 600 mm bracket. For 12 mm glass.
	KSPG-PE1045 (W900 Bracket Set)				• Kit with 900 mm bracket. For 10 mm glass.
	KSPG-PE1046 (W900 Bracket Set)				• Kit with 900 mm bracket. For 12 mm glass.
	KSPG-PE1047 (W1200 Bracket Set)				• Kit with 1200 mm bracket. For 10 mm glass.
	KSPG-PE1048 (W1200 Bracket Set)				• Kit with 1200 mm bracket. For 12 mm glass.


Parts Included

No.	Part Name	Quantity	Description
①	Bottom Guide	1 set	<ul style="list-style-type: none"> • Material Aluminum, Polyacetal • Finish / Color Anodized, White
②	Screw Set	1 set	<ul style="list-style-type: none"> • Material Steel • Finish / Color Clear Zinc Chromate
③	Roller	2 pcs	<ul style="list-style-type: none"> • Material Aluminum, Polyamide • Finish / Color Plain, White
	Stopper	2 pcs	<ul style="list-style-type: none"> • Material Polyacetal • Finish / Color Black
④	Hanging Bracket (for 10 mm Glass)	1 set	<ul style="list-style-type: none"> • Material Steel • Finish / Color Yellow Zinc Chromate
	Hanging Bracket (for 12 mm Glass)		<ul style="list-style-type: none"> • Material Steel • Finish / Color Clear Zinc Chromate

Upper Tracks

-	KS-2752	Upper Rail		Necessary quantity	<ul style="list-style-type: none"> • Material Aluminum • Finish / Color Anodized • Length 2000 mm (78-47/64") *Screw hole drilled every 250 mm (10"). *Connecting pin KS-3536 available to align two rails.
---	---------	------------	---	--------------------	---

Optional Parts

-	KS-3531	Angle Bracket (for Upper Rail)		Optional	<ul style="list-style-type: none"> • Material Aluminum • Finish / Color Anodized *M5x16 screw included.
---	---------	--------------------------------	---	----------	--

GLASS SLIDING DOOR SYSTEM (Door Weight 132 lbs / 198 lbs)

KSUG

SLIDING & FOLDING DOOR HARDWARE

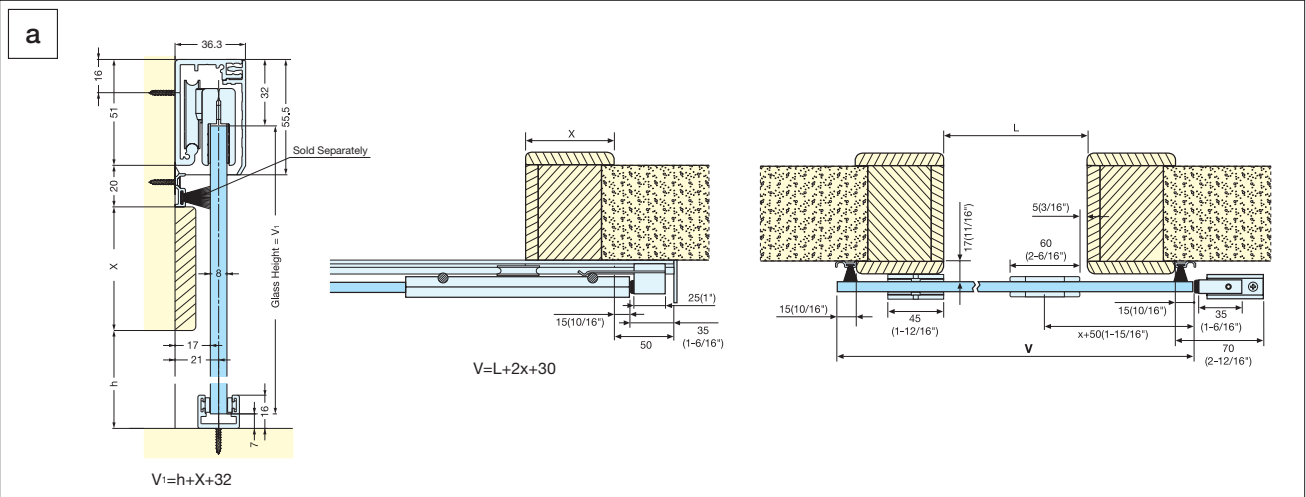
GLASS SLIDING DOOR SYSTEMS (DOOR WEIGHT 132 LBS / 198 LBS)



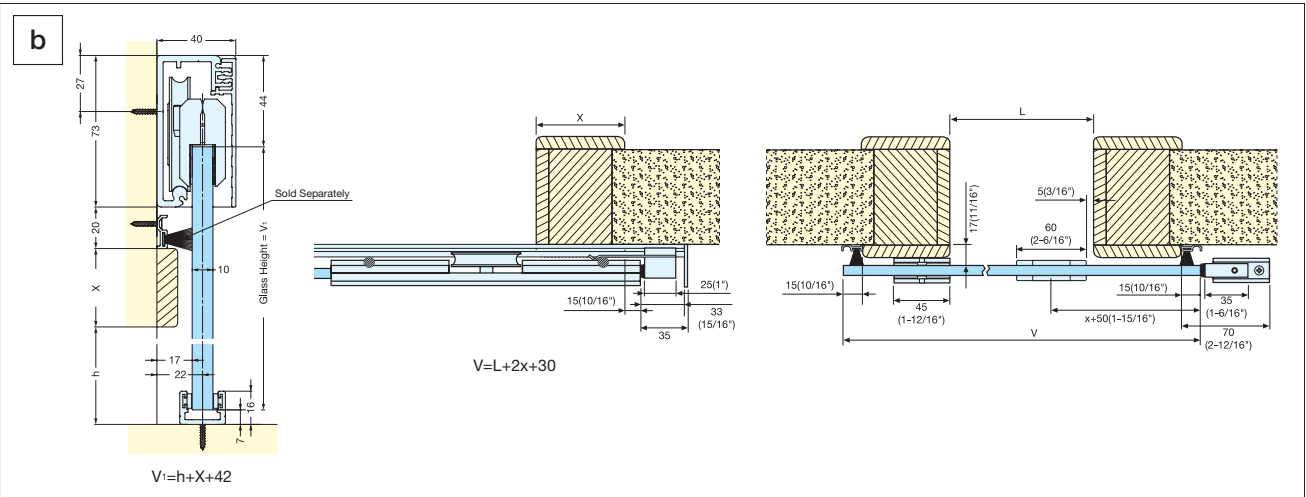
Item No.	KSUG-2974/60	KSUG-2984/90
Weight	Max. 60kg (132 lbs)	Max. 90 kg (198 lbs)
Height	Max. 3000 mm (118-1/8")	
Glass Thickness	8 mm	10 mm

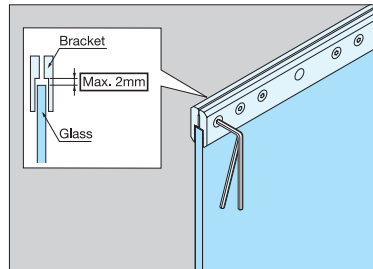
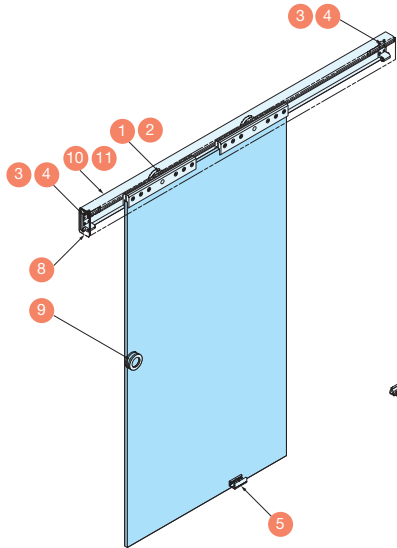
- Sliding door system for single glass door.
 - Wall surface mount type.
 - No pre-drilled holes on glass needed for installation.
 - Can be installed over existing door frame.
 - Snap-on type fascia for clean appearance.
- *Not for resin panels.

■ KSUG-2974 / 60

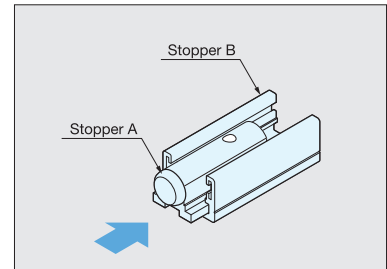


■ KSUG-2984 / 90

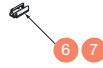




Mount bracket on corner and align to the edge of glass.



Install stopper B on floor and insert stopper A to B.



Tightening Torque (clamp screw):
15N·m (132 lbs·in)

Parts Set (per door)

Necessary Parts

Please refer to "Qty [a] - [b]" for parts included in each set.

	Item No.	Description	
		Door Weight	Glass Door Thickness
[a]	KSUG-2974/60	Max. 60kg (132 lbs)	8 mm (5/16")
[b]	KSUG-2984/90	Max. 90kg (198 lbs)	10 mm (13/32")

Parts Included

No.	Qty		Part Name	Description
	[a]	[b]		
1	1 pc	-	Glass Bracket for KSUG-60	<ul style="list-style-type: none"> Material Aluminum (Body) Polyamide (Roller) Finish Anodized (Body) White (Roller)
2	-	1 pc	Glass Bracket for KSUG-90	<ul style="list-style-type: none"> Material Aluminum (Body) Polyamide (Roller) Finish Anodized (Body) White (Roller)
3	1 pc	-	Upper Stopper for KSUG-60	<ul style="list-style-type: none"> Material Aluminum, Steel, Synthetic Rubber Finish Anodized / Black Handed (Left handed is shown)
4	-	1 pc	Upper Stopper for KSUG-90	<ul style="list-style-type: none"> Material Aluminum, Steel, Synthetic Rubber Finish Anodized / Black Handed (Left handed is shown)
5	1 pc	1 pc	Bottom Guide for KSUG-60 and 90	<ul style="list-style-type: none"> Material Aluminum, Steel, Polyacetal Finish Anodized, White
6	2 pcs	2 pcs	Lower Stopper A for KSUG-60 and 90	<ul style="list-style-type: none"> Material Aluminum, Synthetic Rubber Finish Anodized, Black
7	2 pcs	2 pcs	Lower Stopper B for KSUG-60 and 90	<ul style="list-style-type: none"> Material Aluminum Finish Anodized

No.	Qty		Part Name	Description
	[a]	[b]		
8	1 pair	1 pair	Rail End Cover for KSUG-60 and 90	<ul style="list-style-type: none"> Material Aluminum Finish Anodized *Screws included
9	2 pc	2 pc	Pull for KSUG-60 and 90	<ul style="list-style-type: none"> Material Polycarbonate Finish Plain
10	1 pc	-	Upper Rail for KSUG-60	<ul style="list-style-type: none"> Material / Aluminum Finish / Anodized Length / 2000 mm (78-47/64") *Fascia included
11	-	1 pc	Upper Rail for KSUG-90	<ul style="list-style-type: none"> Material / Aluminum Finish / Anodized Length / 2000 mm (78-47/64") *Fascia included

Optional Parts				
No.	Item No.	Part Name	Description	
12	KS-2977	Sealing Brush	<ul style="list-style-type: none"> Material Aluminum / Polypropylene Finish / Anodized Grey Length 2500 mm (98-5/8") × 2pcs 1500 mm (59-5/8") × 1pc 	
13	KS-3959	Glass Edge Pad for KSUG-60 and 90	<ul style="list-style-type: none"> Material Polyvinyl Chloride (PVC) Finish / Plain Length 3000 mm (118-7/64") 	

SELF CLOSING GLASS SLIDING DOOR SYSTEM (Door Weight 66~176 lbs) **LM-80G**

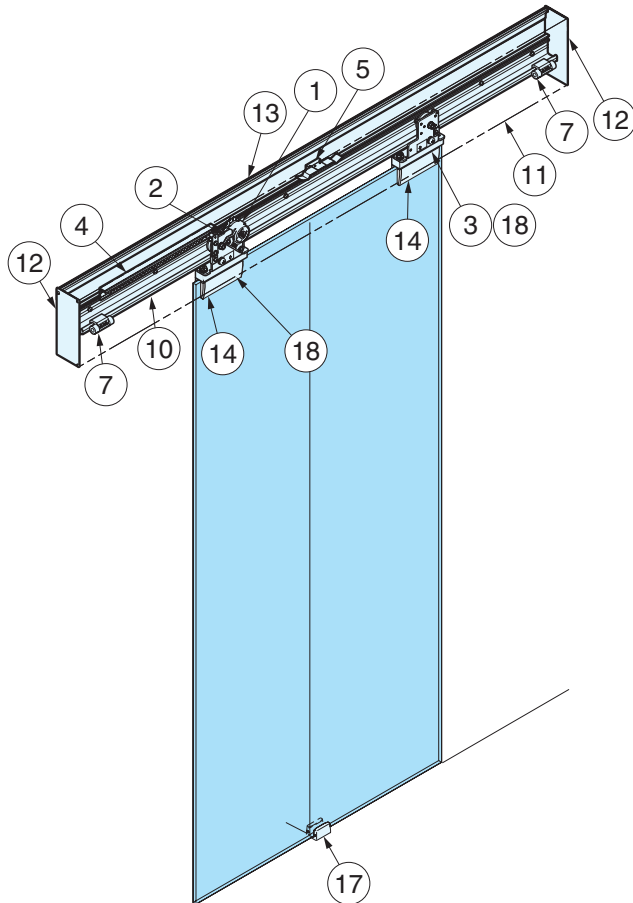
SLIDING & FOLDING
DOOR HARDWARE

SELF CLOSING GLASS SLIDING DOOR SYSTEM (DOOR WEIGHT 66~176 LBS)

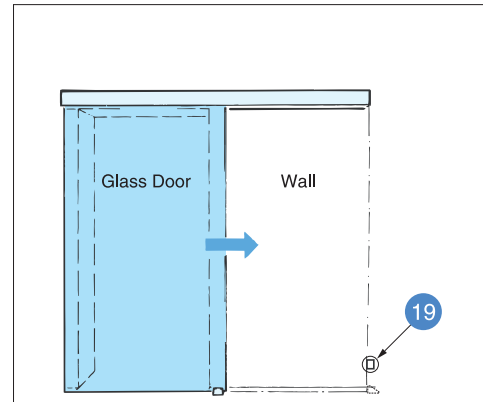


Item No.	LM-80G
Door Width	700 ~1200 mm (27-9/16" ~47-1/4")
Door Thickness	8~12 mm
Door Weight	30 ~80kg/Door (66 ~ 176 lbs/door)
Door Travel	Max. 1100 mm (in case of door width 1200 mm) Max. 43-5/16" (in case of door width 47-1/4")

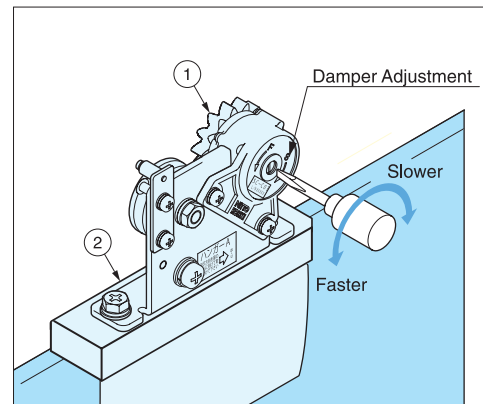
- Self closing sliding door system – no electricity required
- Equipped with damper for smooth and soft closing, eliminating slamming.
- No-pre-drilled holes on glass needed for installation.
- Door catch included to hold door in fully open position.



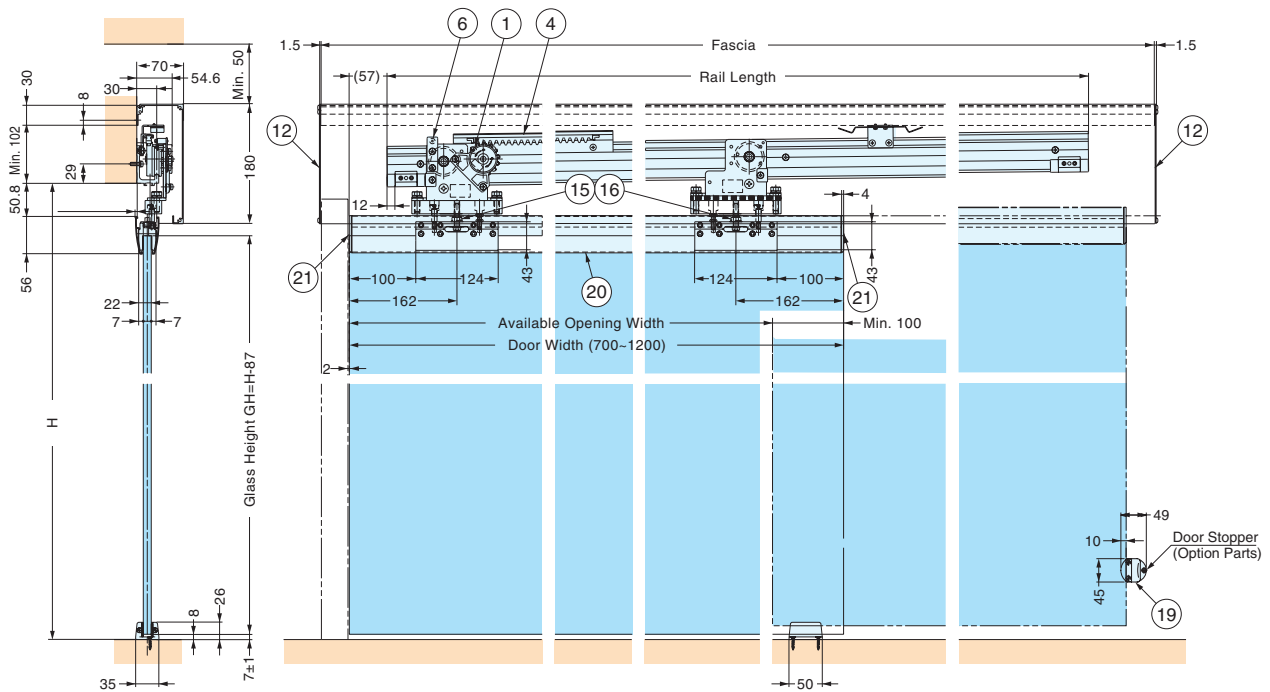
■ Door Stopper







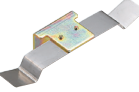








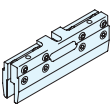

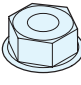
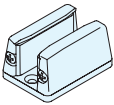
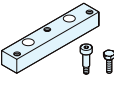

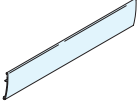
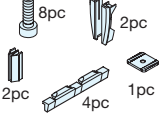
■ Speed Adjustment



Closing speed adjustable by turning adjustment screw on damper.



Part Details

No.	①	②	③	④	⑤	⑥	⑦
Name	Damper	Roller A	Roller B	Gear Rack	Spring	Stopper Roller	Door Stopper
							
Qty. / Set	1 pc	1 pc	1 pc	1 pc	1 pc	1 pc	2 pcs
No.	⑧	⑨	⑩	⑪	⑫	⑬	⑭
Name	Stopper Plate	Height Adjustment Spacer	Roller Rail (2200mm)	Fascia (2350mm)	Side Cover	Mounting Plate (For Fascia) (2350mm)	Glass Bracket
							
Qty. / Set	2 pcs	t1:15 pcs, t0.5:1 pc	1 pc	1 pc	1 pc ea. (Left & Right)	1 pc	2 pcs
No.	⑮	⑯	⑰	⑱	⑳	㉑	
Name	Hanger Bolt	Nut	Bottom Guide	Bracket	Door Stopper	Bracket cover	End Cap Set
							
Qty. / Set	2 pcs	2 pcs	1 pc	2 pcs	1 pc	1 pc	1 set

SELF AND SOFT-CLOSE FOLDING DOOR SYSTEM



SFD

SLIDING & FOLDING DOOR HARDWARE

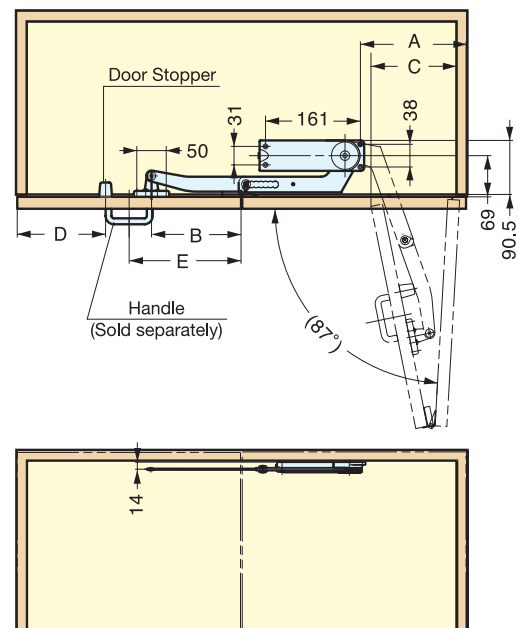
SELF AND SOFT-CLOSE FOLDING DOOR SYSTEM



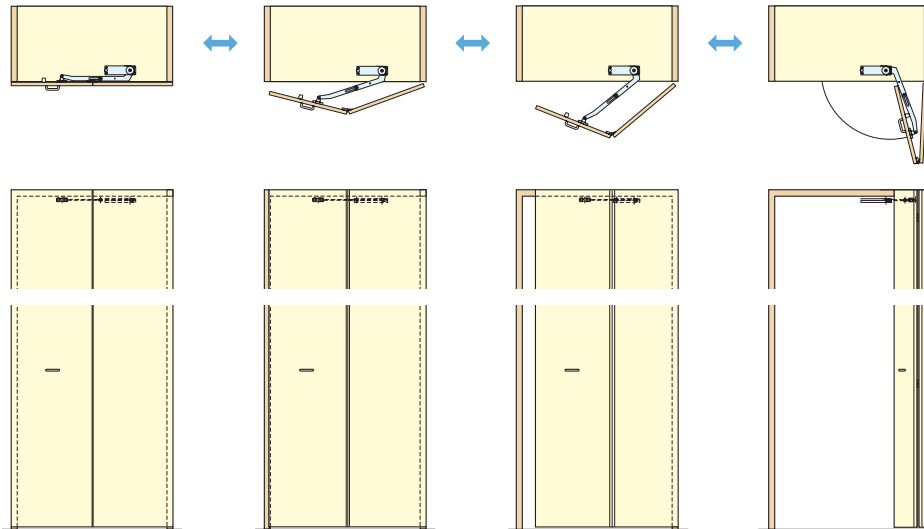
- Unique soft close mechanism ideal for cabinets.
- Dampening mechanism provides smooth and soft close movement.
- No guide rail on top and bottom.
- Arm length adjustable to fit different door width.
- Easy Installation.

Item No.	Door Height	Door Width	Door Weight	Door Thickness
SFD-3L-R (Right Open)	Max. 2600 mm (102-3/8")	380~460 mm (14-61/64"~18-7/64") / Door	Max. 8kg (17.6 lbs) / Door	20 mm (3/4")
SFD-3L-L (Left Open)				

Door Width	Applicable Door Width	Arm Adjustment point	A	B	C	D	E
380	375~385	1	179.5	152	(145)	(150)	(190)
390	385~395	2	184.5	155	(150)	(155)	(195)
400	395~405	3	189.5	158	(154)	(160)	(200)
410	405~415	4	194.5	161	(158)	(165)	(205)
420	415~425	5	199.5	164	(162)	(170)	(210)
430	425~435	6	204.5	167	(168)	(170)	(215)
440	435~445	7	209.5	170	(172)	(175)	(220)
450	445~455	8	214.5	173	(177)	(180)	(225)
460	455~465	9	219.5	176	(181)	(180)	(230)



Door Opening / Closing



Door Height	Required Quantity	
	Center Hinge ②	Concealed Hinge ④ Plate ③
~500 mm	2	2
500~1000 mm	2	3
1000~1500 mm	3	4
1500~2000 mm	4	5
2000~2600 mm	4	6

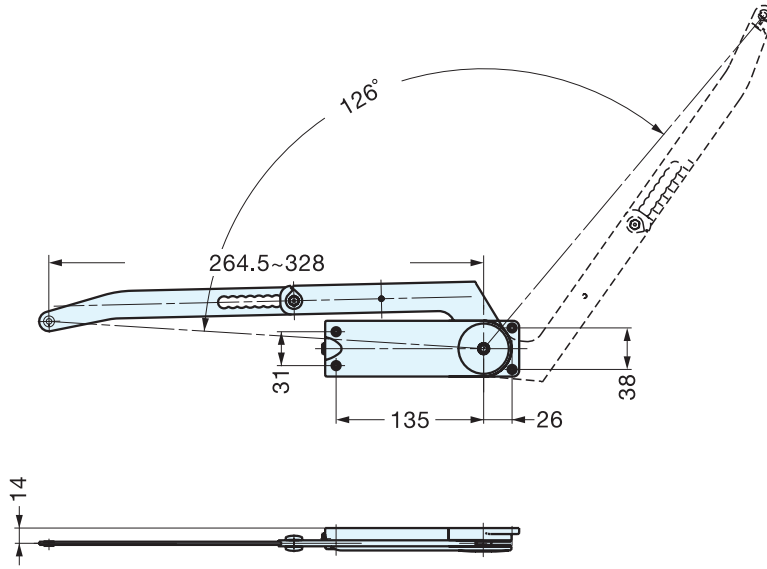
Part Details

No.	Item No.	Part Name		Dimensions	Quantity	Description
①	SFD-3L-R/L (Right Open is shown)	Soft Closing Door Mechanism		Dimension 1 (P.534)	1 pc	Reference 1 (P.534)
②	CH-75/NI	Center Hinge		Dimension 2 (P.534)	Necessary quantity (see table)	Reference 2 (P.534)
	CH-75/GB					
③	230-P4W-32T	Mounting Plate		Dimension 3 (P.534)	Necessary quantity (see table)	Reference 3 (P.534)
④	H230-26/16T	Overlay Door Concealed Hinge		Dimension 4 (P.535)	Necessary quantity (see table)	Reference 4 (P.535)
	H230-26/0T	Inset Door Concealed Hinge		Dimension 5 (P.535)		Reference 5 (P.535)

Dimension 1

SLIDING & FOLDING
DOOR HARDWARE

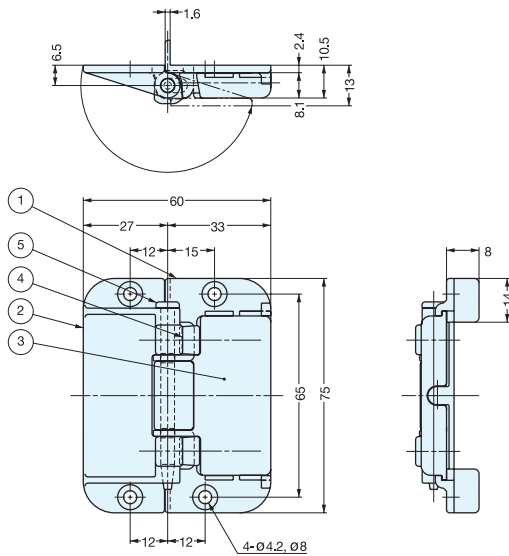
SELF AND SOFT-CLOSE FOLDING DOOR SYSTEM



Reference 1

Item No.	Material	Finish / Color
SFD-3L-R/L	Steel, ABS	Nickel, Light Grey

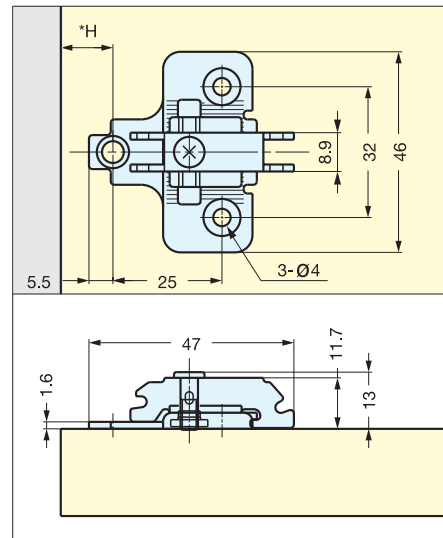
Dimension 2



Reference 2

No.	Part Name	Material	Finish / Color
①	Body A	Zinc Alloy	Nickel (NI)
②	Body B	Zinc Alloy	Bronze (GB)
③	Catch	Polyamide	Brown
④	Latch	Polyamide	Black
⑤	Shaft	Steel	Black

Dimension 3

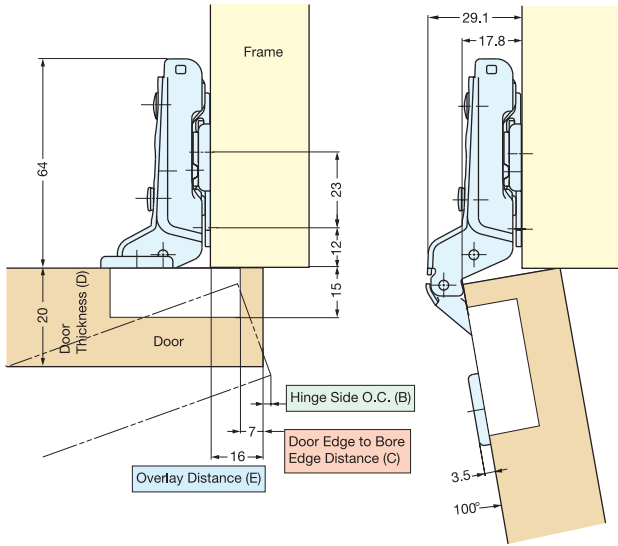


*Overlay use: H=12mm
Inset use: H=Door Thickness+17mm

Reference 3

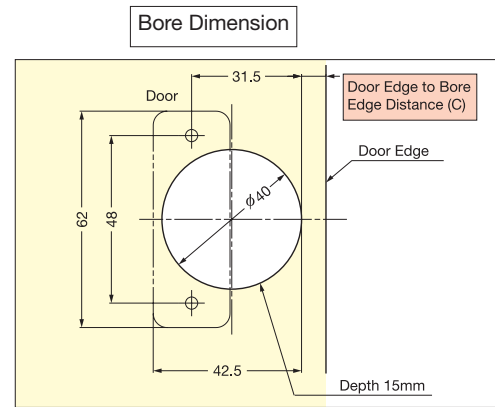
Item No.	Material	Finish / Color
230-P4W-32T	Steel	Nickel

Dimension 4

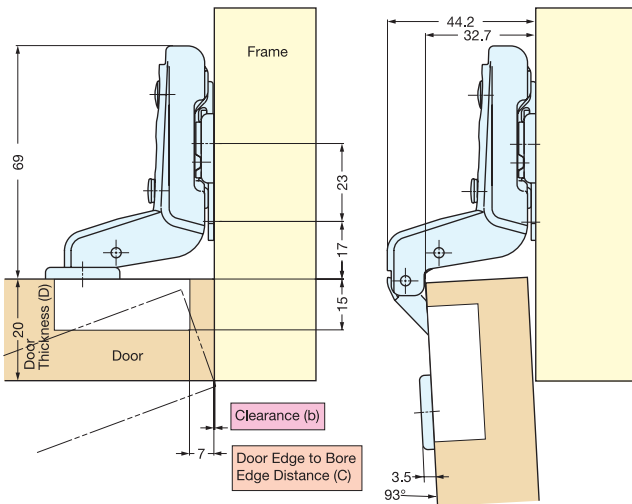


Reference 4

Item No.	Material		Finish / Color		
H230-26/16T	Steel		Nickel		
Door Edge to Bore Edge Distance (C)	3	4	5	6	7
Overlay Distance (E)	12	13	14	15	16
Door Thickness (D)	Door Edge to Bore Edge Distance (C)				
	3	4	5	6	7
18	0.2	0.2	0.2	0.2	0.2
20	0.3	0.3	0.3	0.3	0.3
Hinge Side O.C. (B)					

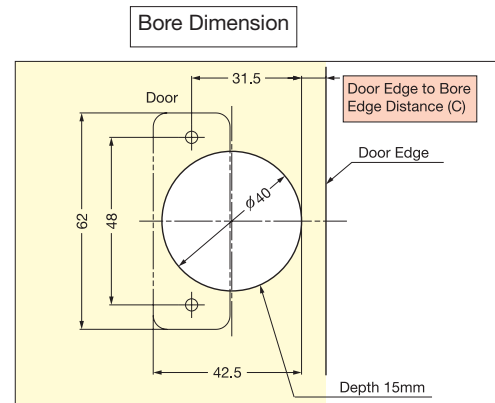


Dimension 5



Reference 5

Item No.	Material		Finish / Color		
H230-26/0T	Zinc Alloy, Steel		Nickel		
Door Edge to Bore Edge Distance (C)	3	4	5	6	7
Clearance (b)	4.3	3.3	2.3	1.3	0.3
Door Thickness (D)	Door Edge to Bore Edge Distance (C)				
	3	4	5	6	7
18	0	0	0	0	0
20	0	0	0	0	0
Hinge Side O.C. (B)					



FOLDING DOOR SYSTEM

FD30-F

SLIDING & FOLDING DOOR HARDWARE

FOLDING DOOR SYSTEM



Item No.	FD30UKP	FD30URP	FD30UMP	FD30UP
Application	Standard Folding (One pivot fixed)	Slidable (for partition use)	Slidable (for cabinet use)	Swing Door
Door Width	Max. 450 mm (17-3/4")			
Door Height	Max. 2400 mm (94-1/2")			
Door Thickness	Min. 30 mm (1-3/16")			
Door Weight	Max. 15kg (33 lbs) per door panel			

Parts Set (Per 2 doors)

Necessary Parts

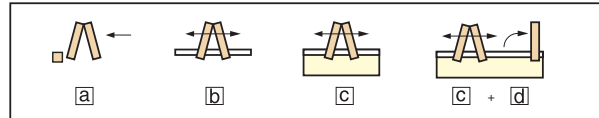
Please refer to "Qty [a] - [d]" for parts included in each set.

	Item No.	Description
[a]	FD30UKP	Pivoted Folding, Center Hinge (Surface Mount)
[b]	FD30URP	Slidable Folding, Center Hinge (Door Edge Recessed Mount)
[c]	FD30UMP	Slidable Folding, Center Hinge (Back Side Recessed Mount)
[d]	FD30UP	Pivoted Swing open (Single Panel)

Parts Included

No.	Qty				Part Name / Item No.	Description
	a	b	c	d		
1	2 pcs	2 pcs	-	1 pc	Upper Roller (Recessed Type) FD30-WRH	<ul style="list-style-type: none"> Material Zinc Alloy / Polyacetal Finish Chromate / Light Brown
2	-	-	2 pcs	-	Upper Roller (Side-Mount) FD30-WRU	<ul style="list-style-type: none"> Material Steel / Polyacetal Finish Chromate / Brown
3	1 pc	-	-	-	Stopper Block FD30-HSB	<ul style="list-style-type: none"> Material Polyacetal Finish Dark Brown
4	1 pc	-	-	1 pc	Bottom Pin FD30-FBP	<ul style="list-style-type: none"> Material Steel / Polyacetal Finish Chromate / White
5	-	2 pcs	2 pcs	-	Guide Pin FD30-FGR	<ul style="list-style-type: none"> Material Steel / Polyacetal Finish Chromate / White
6	1 pc	1 pc	1 pc	1 pc	Pin Insert Jig FD30-FKPIJ	-
7	1 pc	-	-	1 pc	Spanner Wrench FD30-FSP	-
8	-	-	-	1 pc	Top Bracket FD30-FSK	<ul style="list-style-type: none"> Material Steel Finish Chromate

Configuration



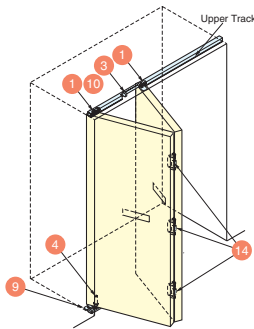
No.	Qty				Part Name / Item No.	Description
	a	b	c	d		
9	1 pc	-	-	-	Pivot Bracket (Bottom) FD30-FPU	<ul style="list-style-type: none"> Material Steel Finish Chromate
10	1 pc	-	-	1 pc	Fixing Plate FD30-FKK	<ul style="list-style-type: none"> Material Steel Finish Chromate
11	-	1 pc	1 pc	-	Upper Stopper FD30-FTST	<ul style="list-style-type: none"> Material Steel / Polyacetal Finish Chromate / Brown
12	-	1 pc	1 pc	-	Bottom Stopper FD30-FBKS	<ul style="list-style-type: none"> Material Steel / Polyacetal Finish Chromate / Brown
13	-	-	-	1 pc	Magnetic Catch FD30-FMC	<ul style="list-style-type: none"> Material Steel / ABS Plastic Finish Chromate / Brown
14	3 pcs	-	-	-	Center Hinge (Surface Mount, Angle adjustable) FD30-CHM	<ul style="list-style-type: none"> Material Steel Finish Black
15	-	-	3 pcs	-	Center Hinge (Recess Mount, Angle adjustable, W/Detent Stop) FD30-CHH	<ul style="list-style-type: none"> Material Steel Finish Black
16	-	3 pcs	-	-	Center Hinge (Door Edge Mount, Angle adjustable, W/Detent Stop) FD30-CHK	<ul style="list-style-type: none"> Material Zinc Alloy Finish Dark Brown

Upper Track		Necessary Parts			
	Mounting	Length	Item No.	Dimensions	Material / Finish
17	Surface Mount	910 mm	FD30-TRM910SIL		<ul style="list-style-type: none"> Material Aluminum Finish Anodized Silver
18		1820 mm	FD30-TRM1820SIL		
19		2730 mm	FD30-TRM2730SIL		
20		3640 mm	FD30-TRM3640SIL		
21	Recessed Mount	910 mm	FD30-TRH910SIL		<ul style="list-style-type: none"> Material Aluminum Finish Anodized Silver
22		1820 mm	FD30-TRH1820SIL		
23		2730 mm	FD30-TRH2730SIL		
24		3640 mm	FD30-TRH3640SIL		

Bottom Guide Track		Necessary Parts			
*Must be ordered when using b c d					
	Mounting	Length	Item No.	Dimensions	Material / Finish
25	Floor Surface Mount	910 mm	FD30-FBRM910SIL		<ul style="list-style-type: none"> Material Aluminum Finish Anodized Silver
26		1820 mm	FD30-FBRM1820SIL		
27		2730 mm	FD30-FBRM2730SIL		
28		3640 mm	FD30-FBRM3640SIL		
29	Floor Recessed Mount	910 mm	FD30-FBRH910SIL		<ul style="list-style-type: none"> Material Aluminum Finish Anodized Silver
30		1820 mm	FD30-FBRH1820SIL		
31		2730 mm	FD30-FBRH2730SIL		
32		3640 mm	FD30-FBRH3640SIL		

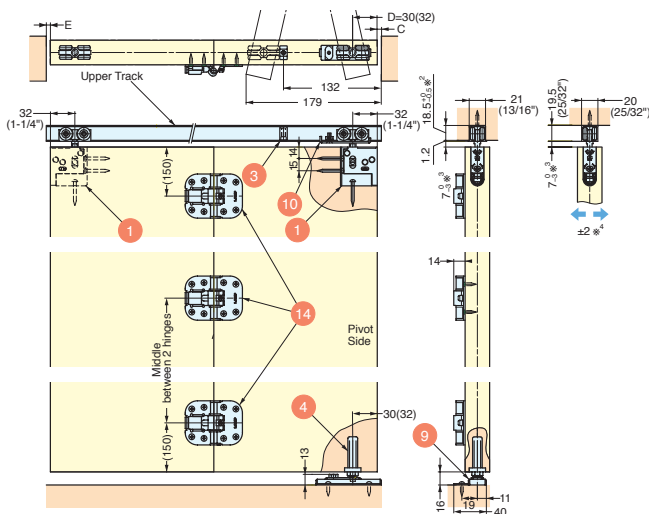
Optional Parts									
No.	Item No.	Part Name	Installation	Description	No.	Item No.	Part Name	Installation	Description
33	FD30-WRH-CP	End Cap (For Rollers)		<ul style="list-style-type: none"> Material Polypropylene Finish Brown *For roller 1 	35	FD30-FTF	Door End Holder (Pin)		<ul style="list-style-type: none"> Material Polyamide / Steel Finish White / Chromate
34	FD30-FMF	Door End Holder (Magnetic)		<ul style="list-style-type: none"> Material Polycarbonate Neodymium Finish Dark Brown 	36	FD30-FHL	Latch Unit		<ul style="list-style-type: none"> Material Polyacetal Finish Dark Brown *To be used when ordering c + d

a Pivoted Folding, Center Hinge - Surface Mount



• Center Hinge has angle adjustment, detent stop feature and mounted on surface at back side of door for easy installation.

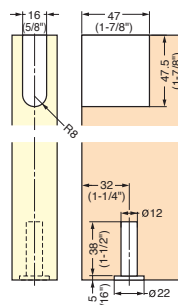
■ Installation Example
(In case of 1-9/16" thick, 17-3/4" wide door)



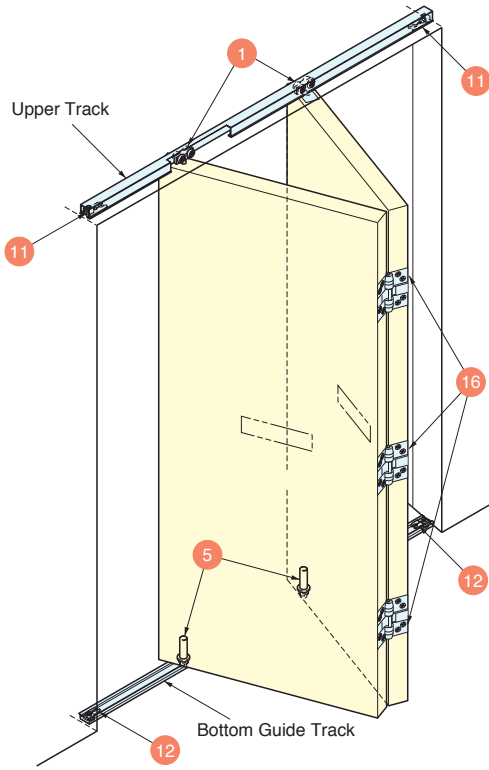
■ Gap - Door and Frame

Door Thickness	C=Gap	Gap total : C + E			
		Width 300	Width 350	Width 400	Width 450
30	4.0	7.5	7.0	6.7	6.4
35	5.2	9.5	8.9	8.5	8.2
40	6.5	11.7	11.0	10.5	10.1

■ Door Preparation

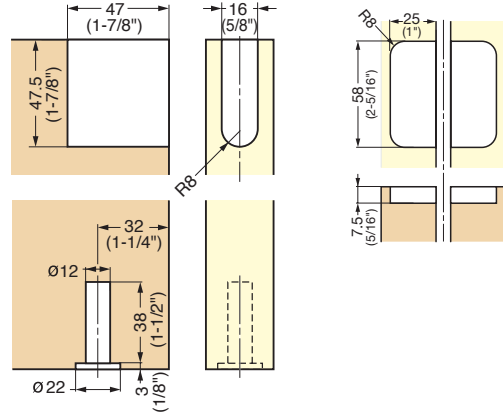


b Slidable Folding, Center Hinge – Door Edge Recessed Mount



- Center Hinge has angle adjustment, detent stop feature and mounted in recess at door edge which is invisible from both side.
- Detent center hinge allows the folding door to slide freely for easy access and to maximize the space.

■ Door Preparation

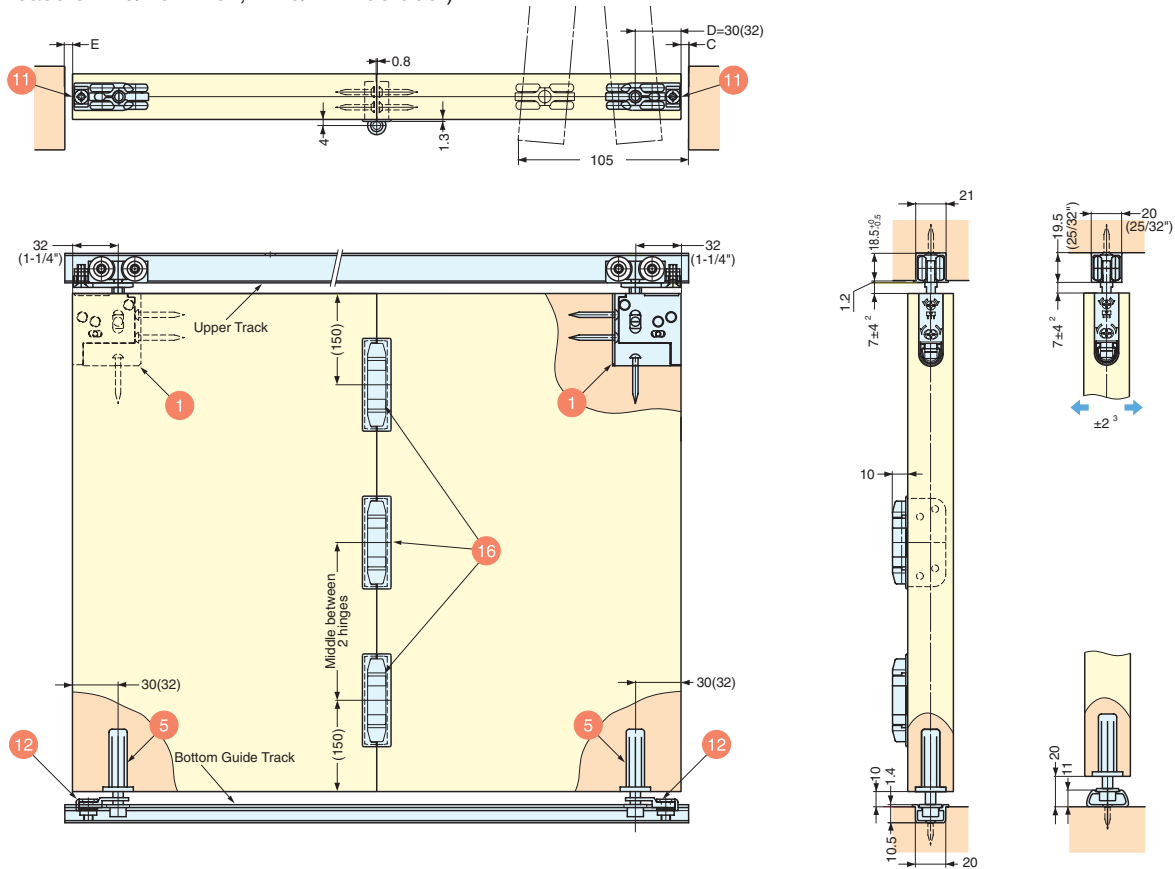


■ Gap - Door and Frame

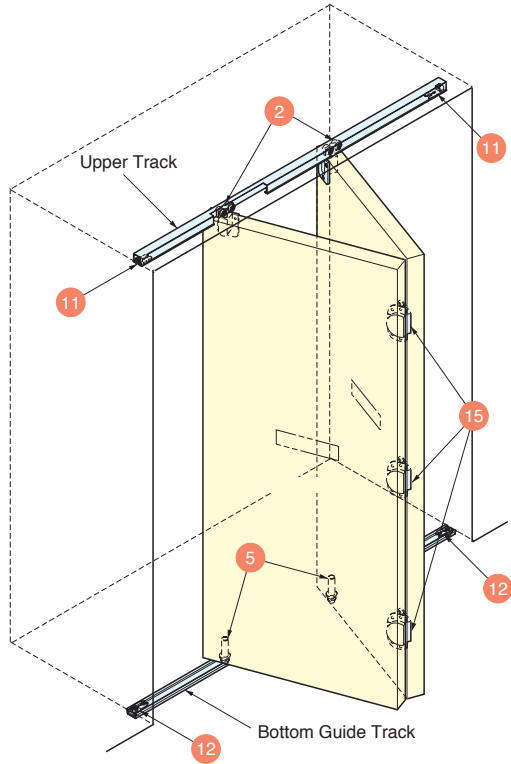
Door Thickness	C=Gap	Gap total : C + E			
		Width 300	Width 350	Width 400	Width 450
30	4.0	7.5	7.0	6.7	6.4
35	5.2	9.5	8.9	8.5	8.2
40	6.5	11.7	11.0	10.5	10.1

■ Installation Example

(In case of 1-9/16" thick, 17-3/4" wide door)



c Slidable Folding, Center Hinge – Back Side Recessed Mount

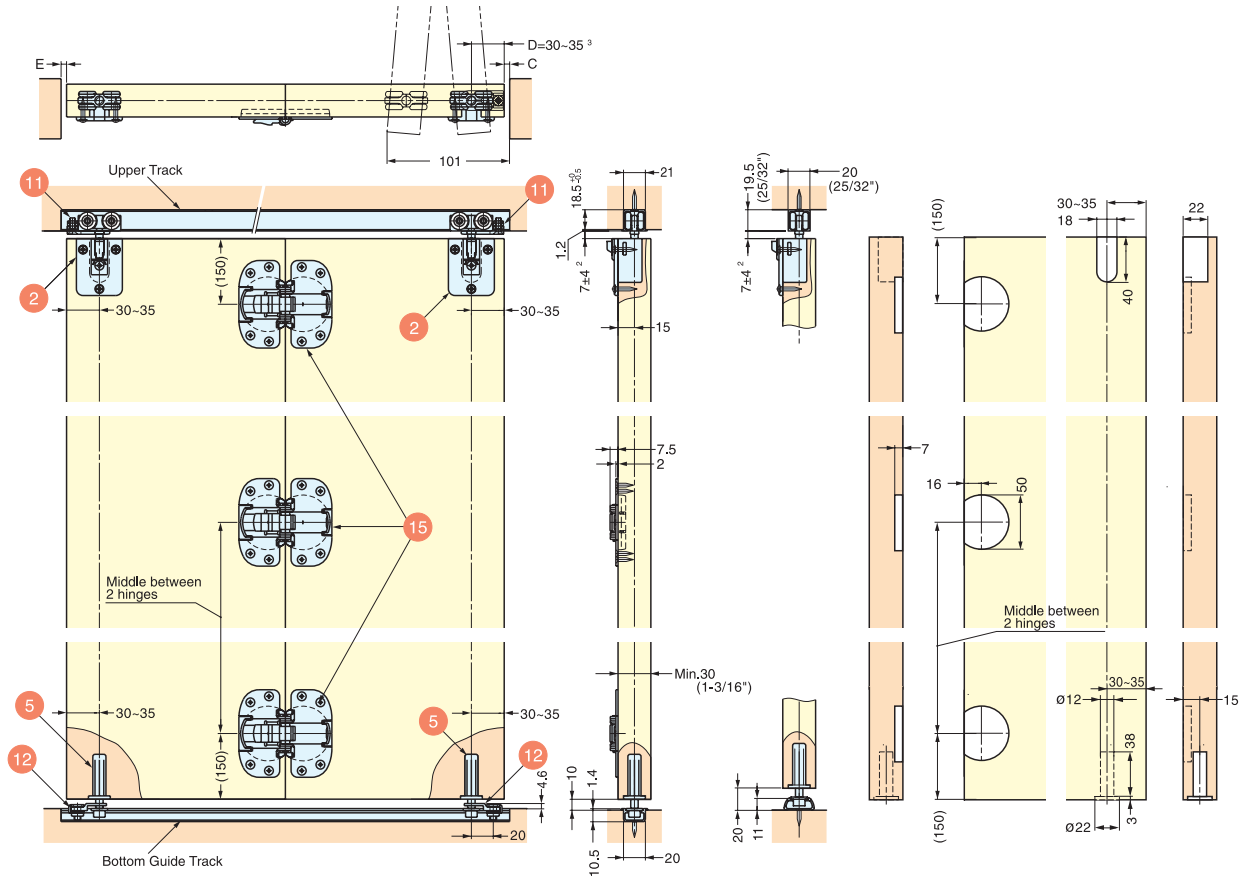


- Center Hinge has angle adjustment, detent stop feature and mounted in recess at back side of door.
- Detent center hinge allows the folding door to slide freely for easy access and to maximize the space.

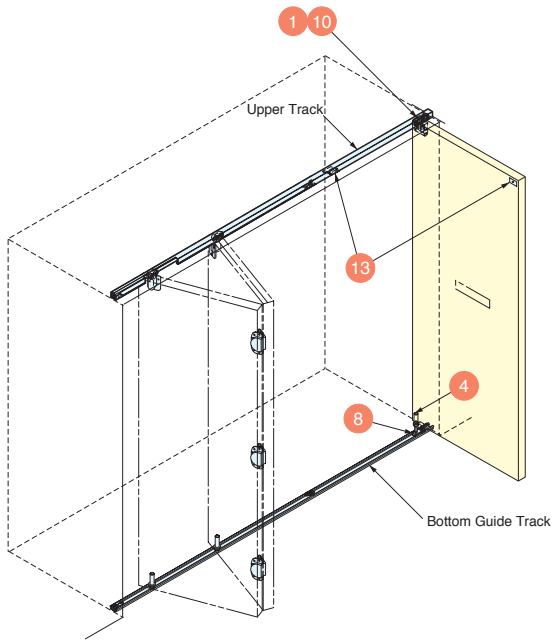
■ Gap - Door and Frame

Door Thickness	C=Gap	Gap total : C + E			
		Width 300	Width 350	Width 400	Width 450
30	3.6	6.0	5.7	5.5	5.3
35	5.8	8.8	8.4	8.1	7.9
40	12.0	12.0	11.6	11.2	11.0

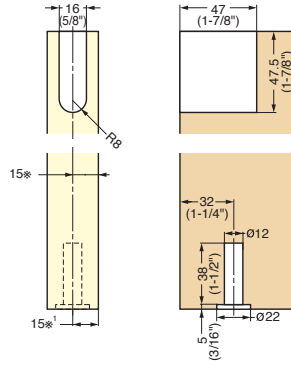
■ Installation Example
(In case of 1-9/16" thick, 17-3/4" wide door)



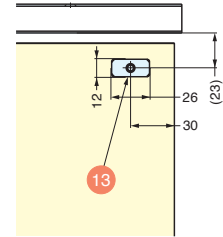
d Pivoted Swing open (Single Panel)



■ Door Preparation

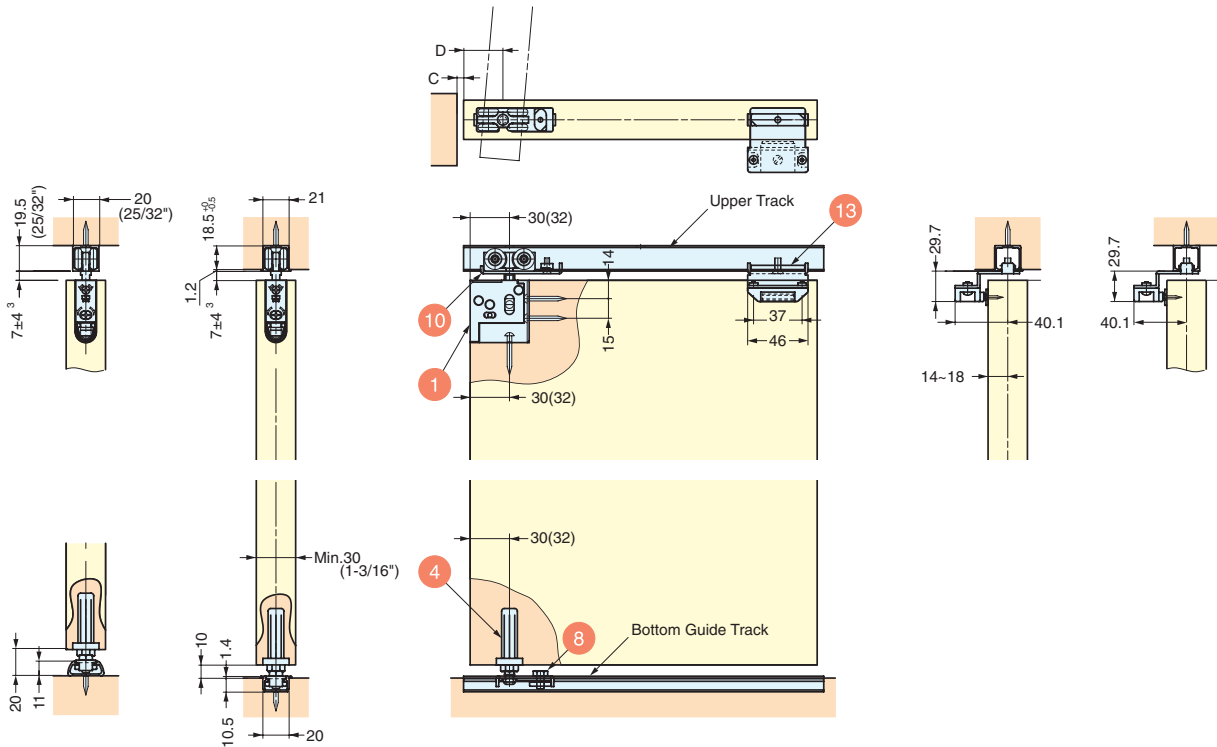


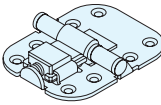
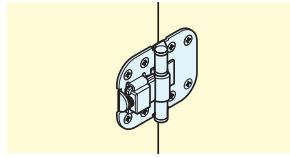
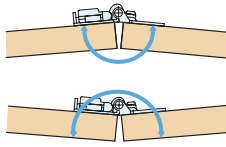
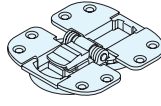
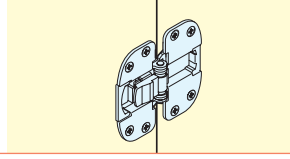
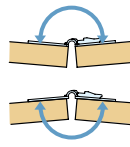
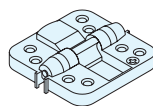
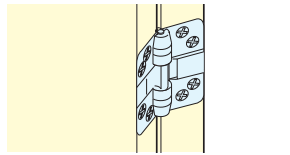
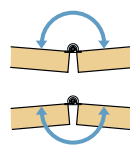
■ Preparation for counter plate

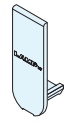
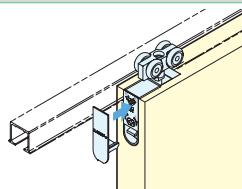
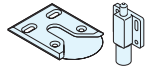
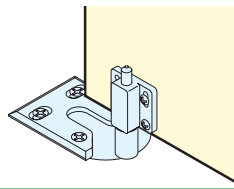
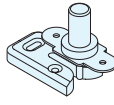
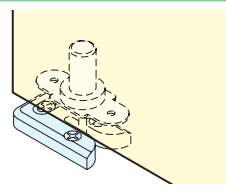
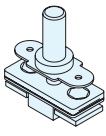
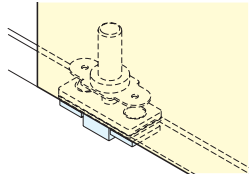


■ Gap - Door and Frame

Door Thickness	C=Gap (In Case D = 30)
30	4.0
35	5.2
40	6.5



Center Hinge - Details				
No.	Item No.	Installation	Angle Adjustment	Detent
14	 FD30-CHM	Surface Mount 		37° angle
15	 FD30-CHH	Back Side Recessed Mount 		50° angle
16	 FD30-CHK	Door Edge Recessed Mount 		47° angle

Optional Parts - Details				
No.	Part Name / Item No.	Installation	Specification	Description
33	End Cap (For Rollers)  FD30-WRH-CP		Cover Cap for Upper Roller ①	<ul style="list-style-type: none"> • Material Polypropylene • Finish Brown
34	Door End Holder (Magnetic)  FD30-FMF		Prevents door racking when door is closed, especially in double doors	<ul style="list-style-type: none"> • Material Polycarbonate Neodymium • Finish Dark Brown
35	Door End Holder (Pin)  FD30-FTF		Prevents door racking when door is closed, especially in double doors	<ul style="list-style-type: none"> • Material Polyamide / Steel • Finish White / Chromate
36	Latch Unit  FD30-FHL		To hold the door close in [d] configuration, to be installed on bottom guide track	<ul style="list-style-type: none"> • Material Polypropylene • Finish Brown